



US00D627865S

(12) **United States Design Patent**
Eilmus

(10) **Patent No.:** **US D627,865 S**
(45) **Date of Patent:** **** Nov. 23, 2010**

(54) **SINK**

(75) Inventor: **Niels J. Eilmus**, Sheboygan, WI (US)

(73) Assignee: **Kohler Co.**, Kohler, WI (US)

(**) Term: **14 Years**

(21) Appl. No.: **29/340,504**

(22) Filed: **Jul. 20, 2009**

(51) **LOC (9) Cl.** **23-01**

(52) **U.S. Cl.** **D23/290**

(58) **Field of Classification Search** D23/290,
D23/308; 4/639

See application file for complete search history.

(56) **References Cited**

U.S. PATENT DOCUMENTS

D610,659 S * 2/2010 Booth D23/290

OTHER PUBLICATIONS

Kohler Co. "Undertone Double Equal Undercounter Sink" Model No. K-3148. Kohler Co. online catalog Copyright 2009 Kohler Co. KWC "Double Basin Stainless Steel Kitchen Sink". Geneva Series Model No. 5.10.D4.01. Faucetdirect.com online catalog. Copyright 2000-2009 Improvement Direct, Inc.

Kohler Co. "Undertone Large/Medium Undercounter Kitchen Sink". Model No. K-3359. Kohler Co. online catalog. Copyright 2009 Kohler Co.

* cited by examiner

Primary Examiner—Robert A Delehanty

(74) *Attorney, Agent, or Firm*—Quarles & Brady LLP

(57) **CLAIM**

The ornamental design for a sink, as shown and described.

DESCRIPTION

FIG. 1 is a right, top, front perspective view of a sink embodying my new design;

FIG. 2 is a top plan view thereof;

FIG. 3 is a front elevational view thereof;

FIG. 4 is a right side elevational view thereof;

FIG. 5 is a left side elevational view thereof;

FIG. 6 is a rear elevational view thereof;

FIG. 7 is a bottom plan view thereof;

FIG. 8 is a left, top, front perspective view of a sink according to another embodiment of my new design in which the top plan, front elevational, right side elevational, left side elevational, rear elevational and bottom plan views thereof are mirror images of respective FIGS. 2-7;

FIG. 9 is a right, top, front perspective view of a sink according to another embodiment of my new design;

FIG. 10 is a top plan view thereof;

FIG. 11 is a front elevational view thereof;

FIG. 12 is a right side elevational view thereof;

FIG. 13 is a left side elevational view thereof;

FIG. 14 is a rear elevational view thereof;

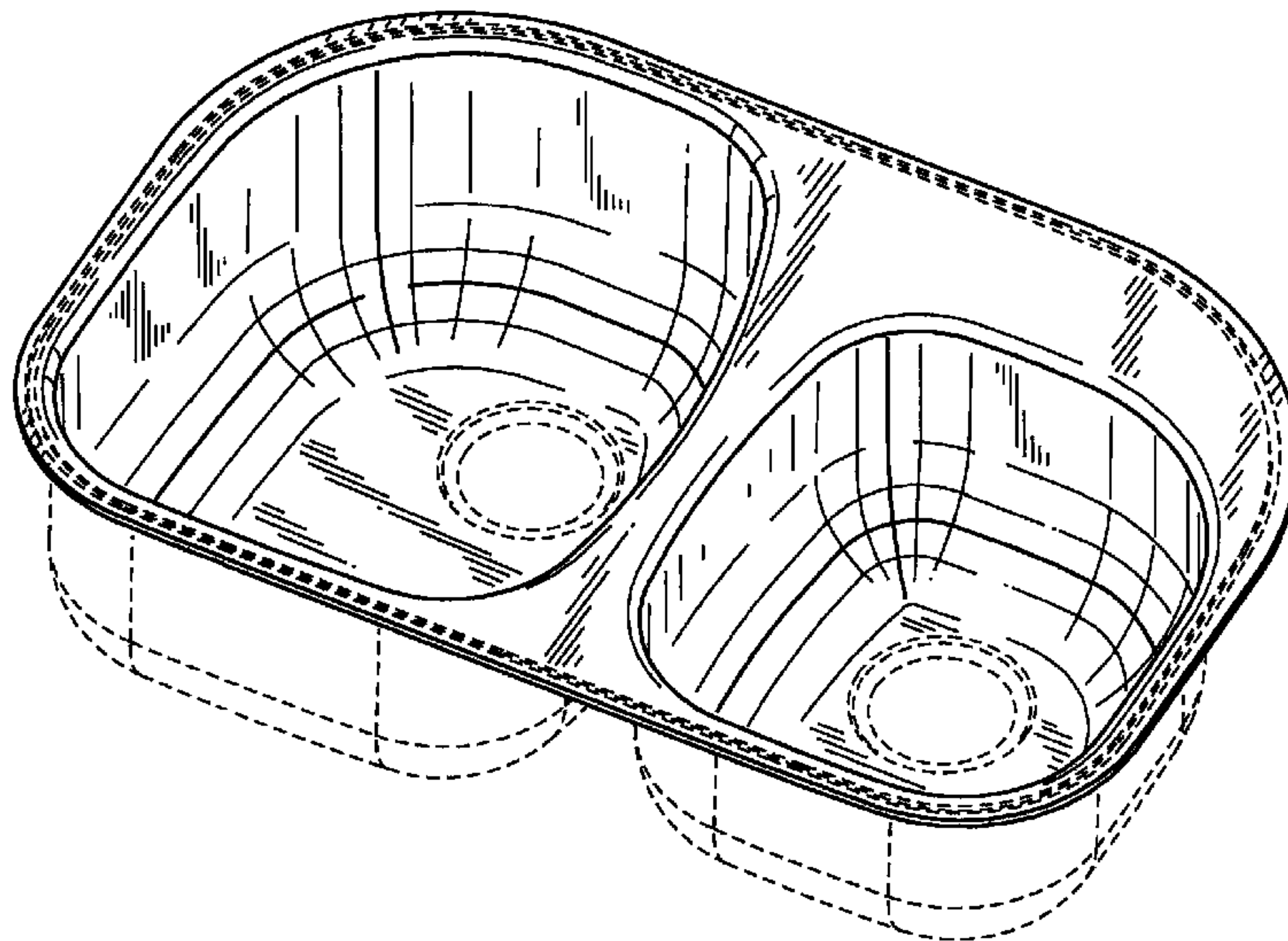
FIG. 15 is a bottom plan view thereof; and,

FIG. 16 is a left, top, front perspective view of a sink according to another embodiment of my new design in which the top plan, front elevational, right side elevational, left side elevational, rear elevational and bottom plan views thereof are mirror images of respective FIGS. 10-15.

The broken line representations in the figures are for the purpose of illustration only, and form no part of the claimed design.

In a preferred embodiment, the nature of this product is as a plumbing fixture in the form of a sink which is primarily useful for washing various items and the body parts of humans.

1 Claim, 10 Drawing Sheets



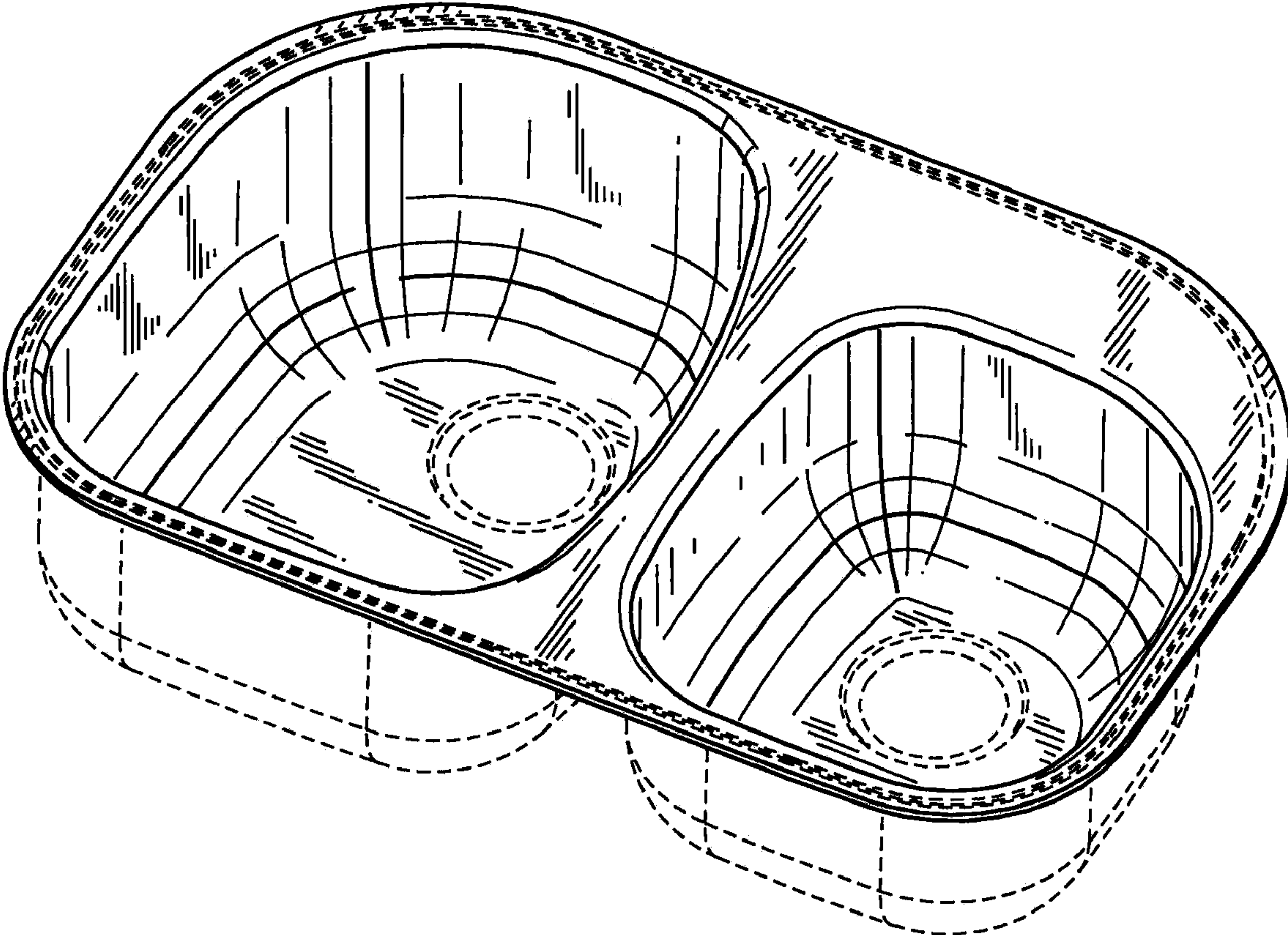


FIG. 1

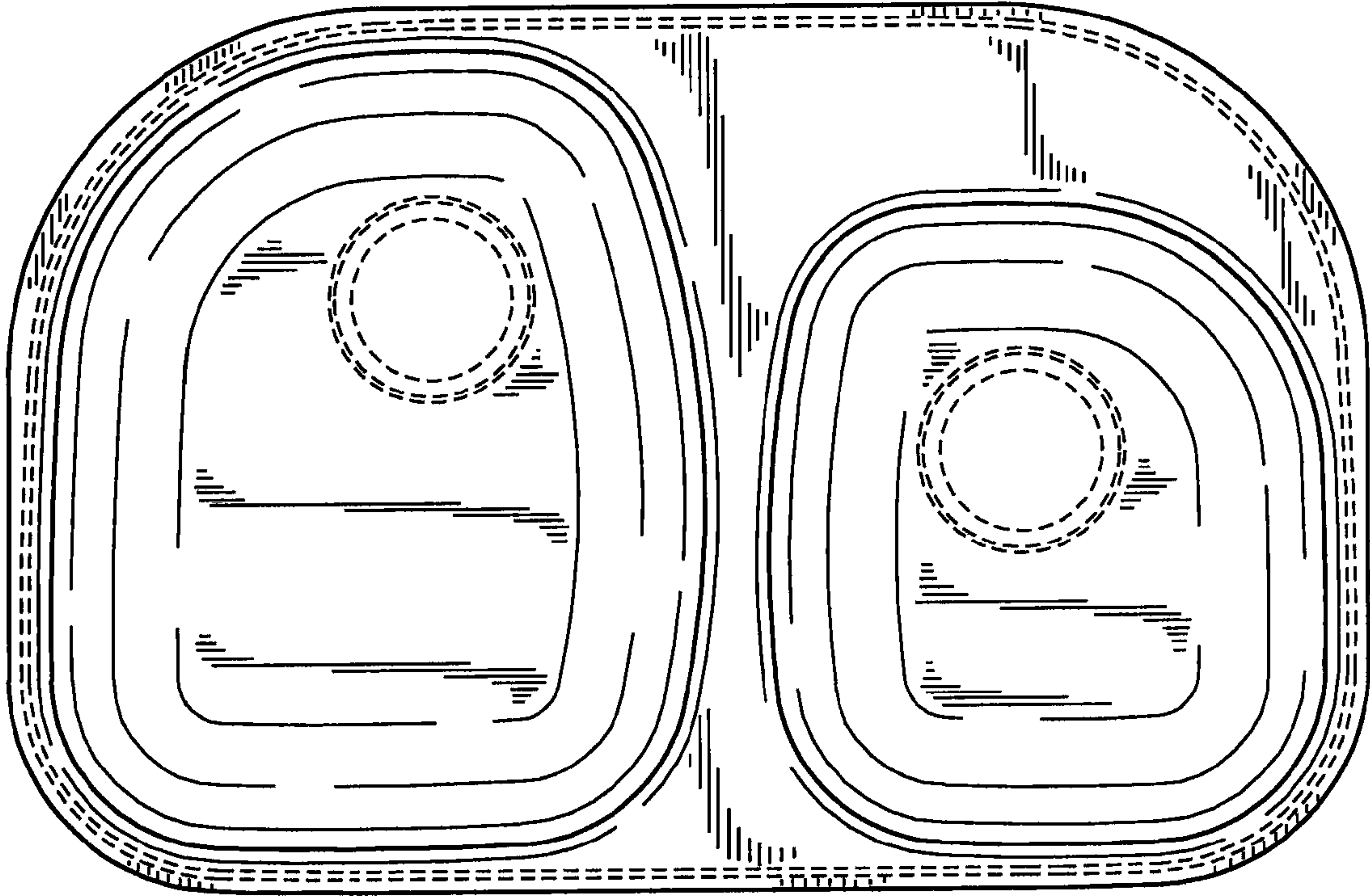


FIG. 2

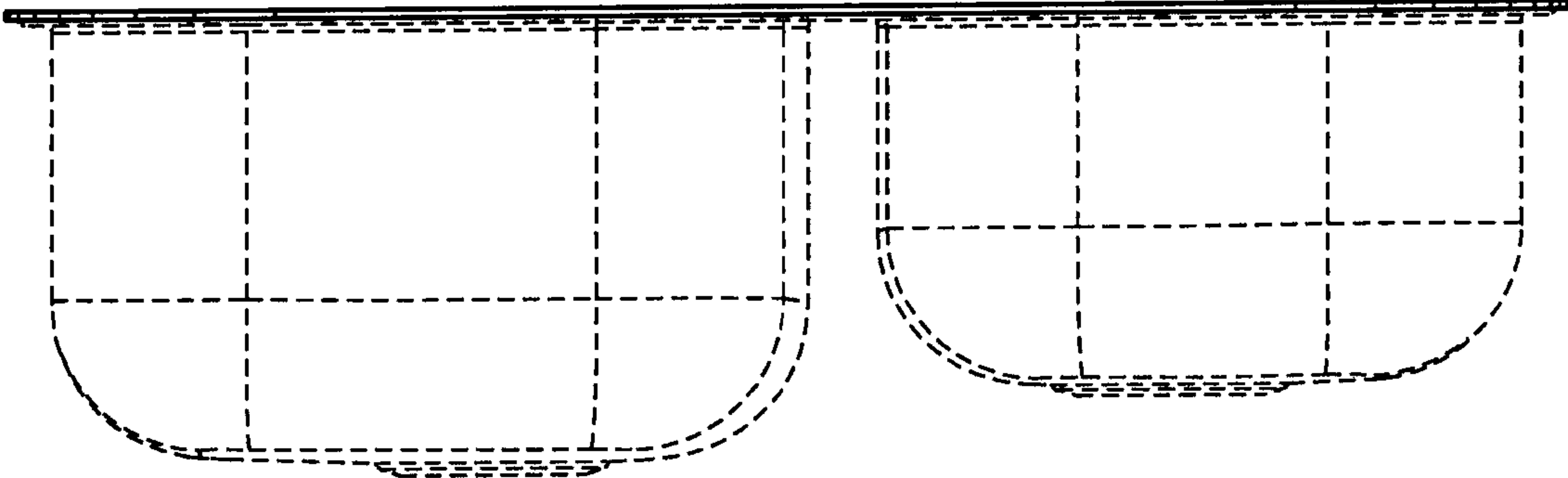


FIG. 3

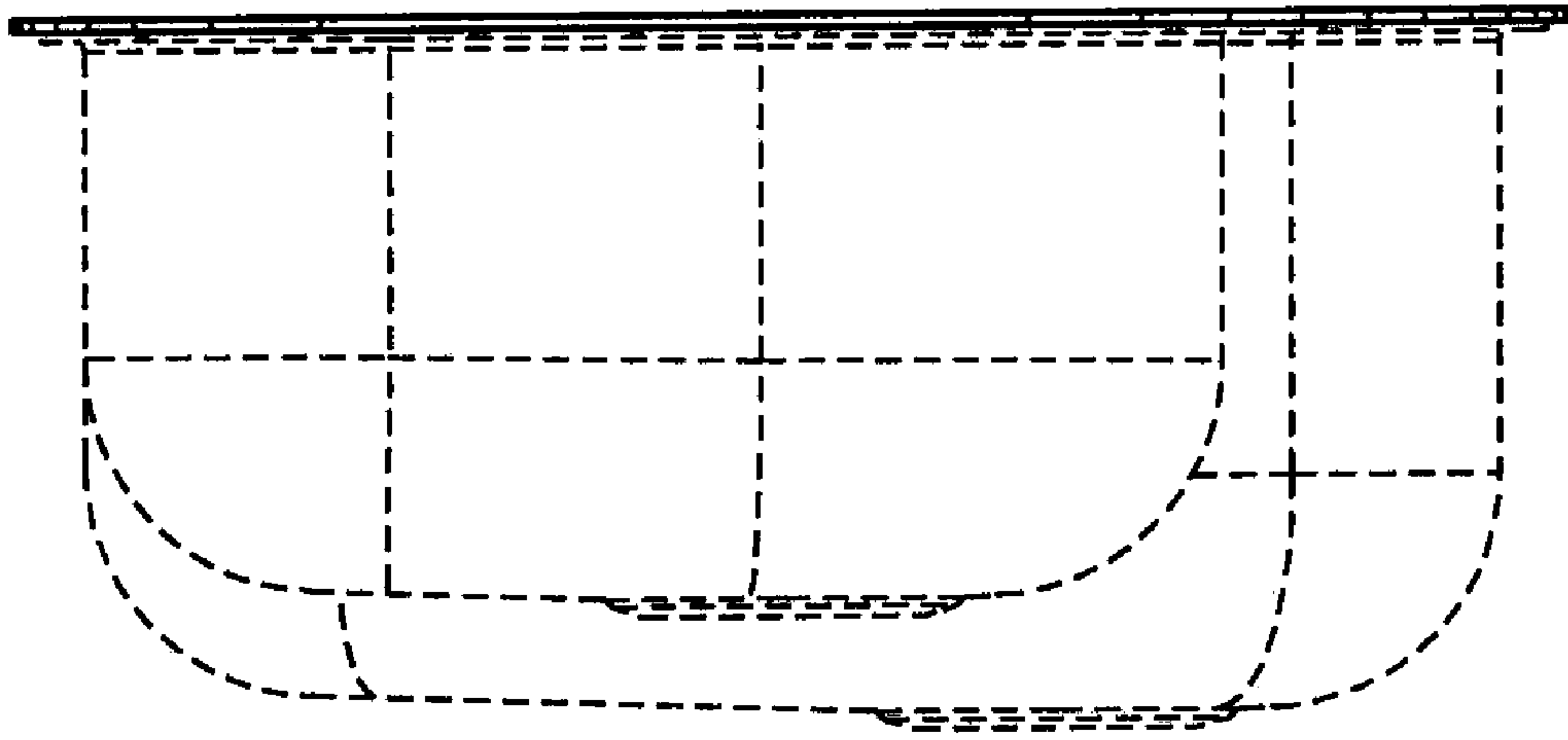


FIG. 4

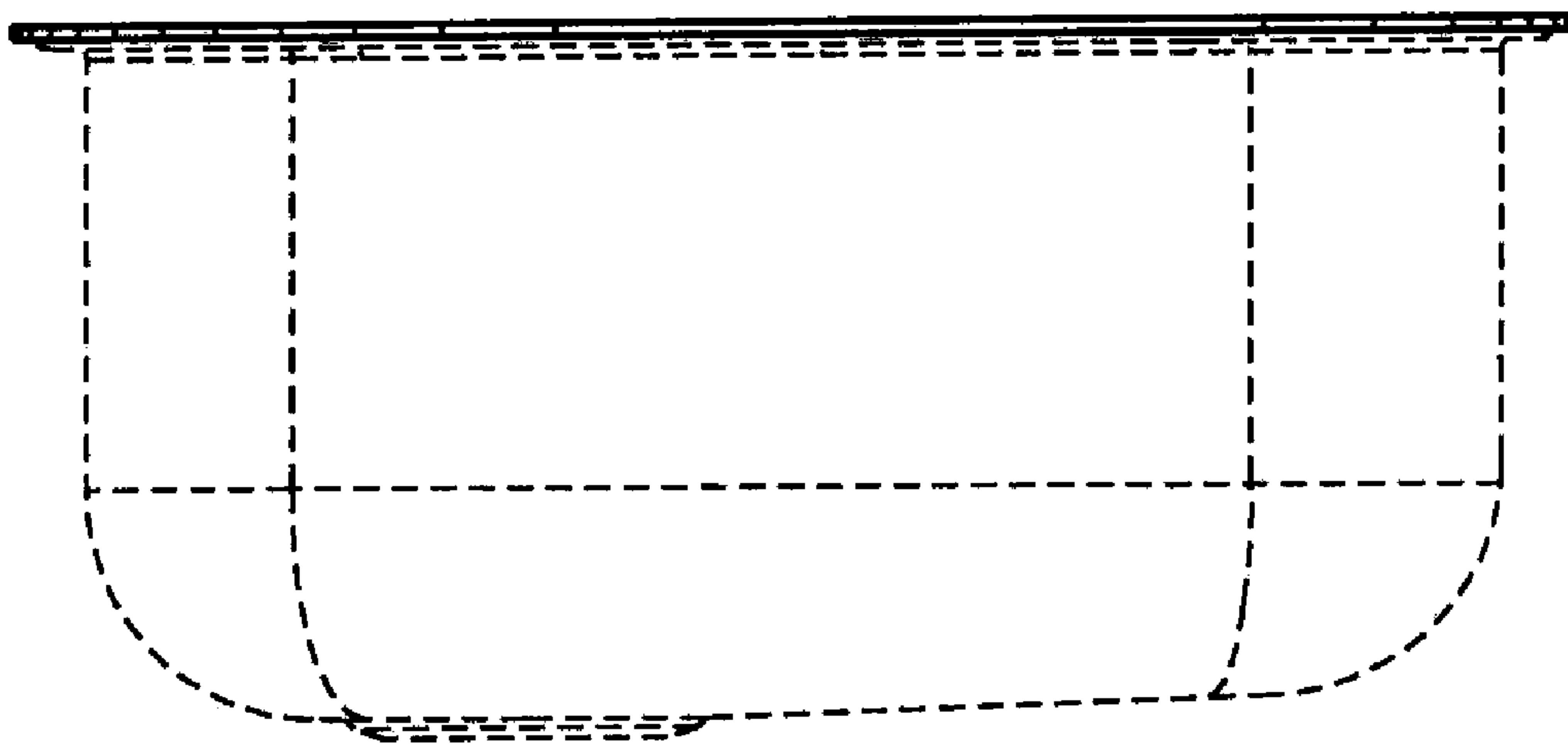


FIG. 5

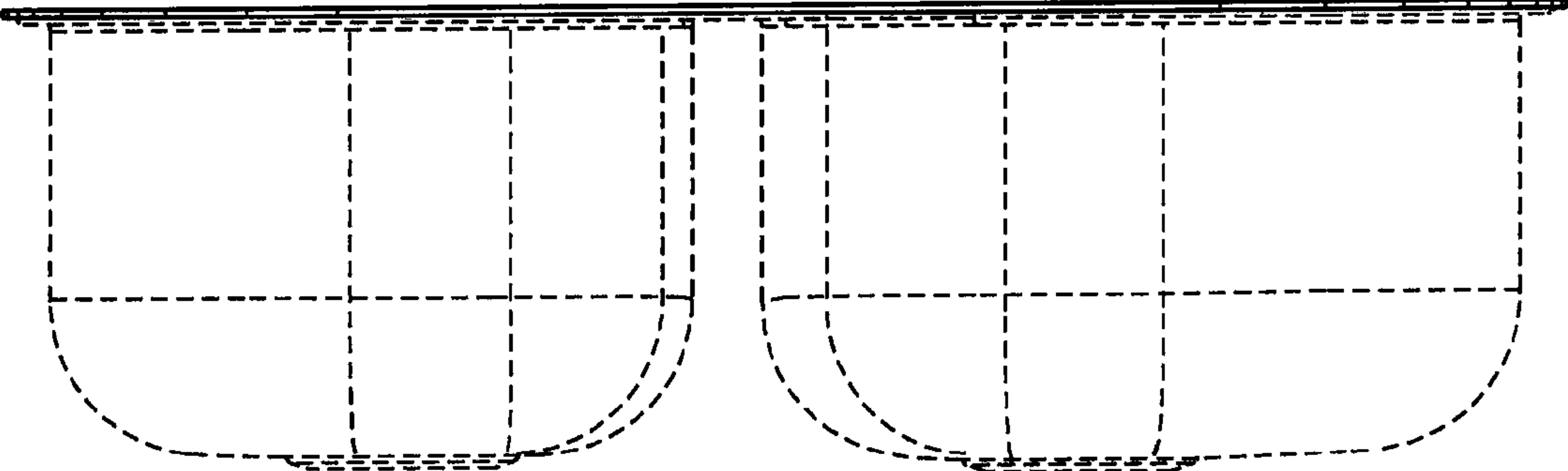


FIG. 6

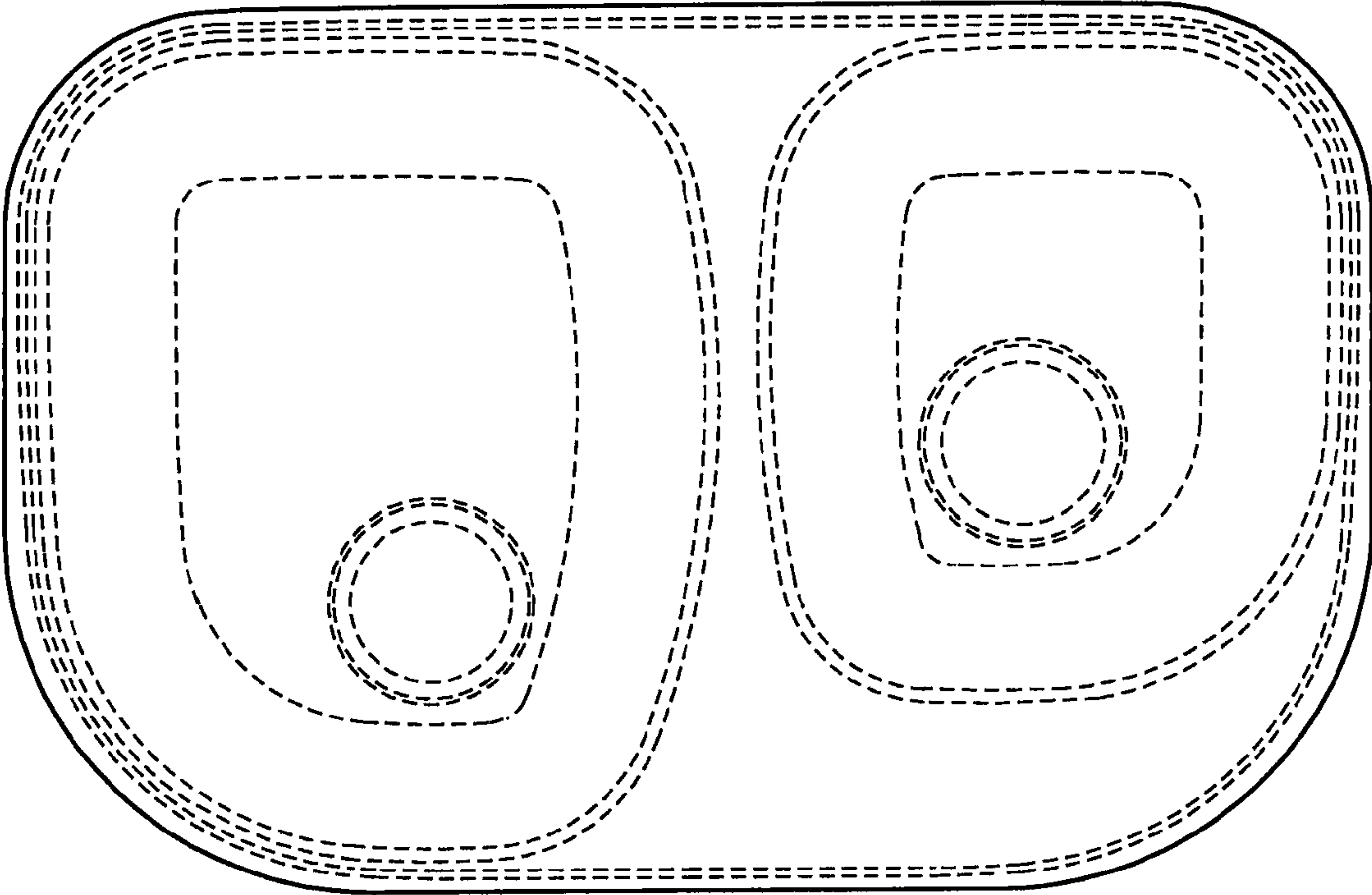


FIG. 7

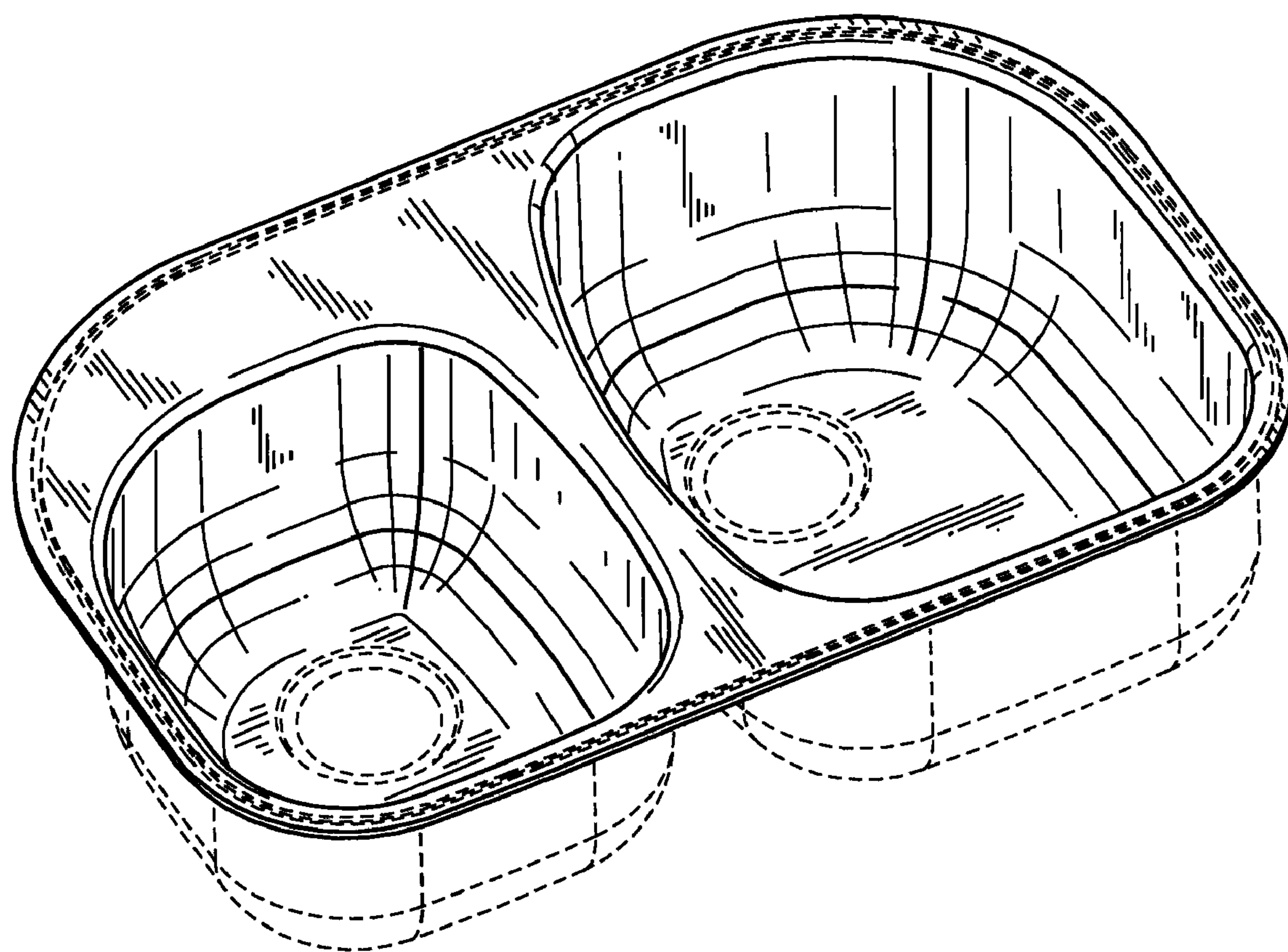


FIG. 8

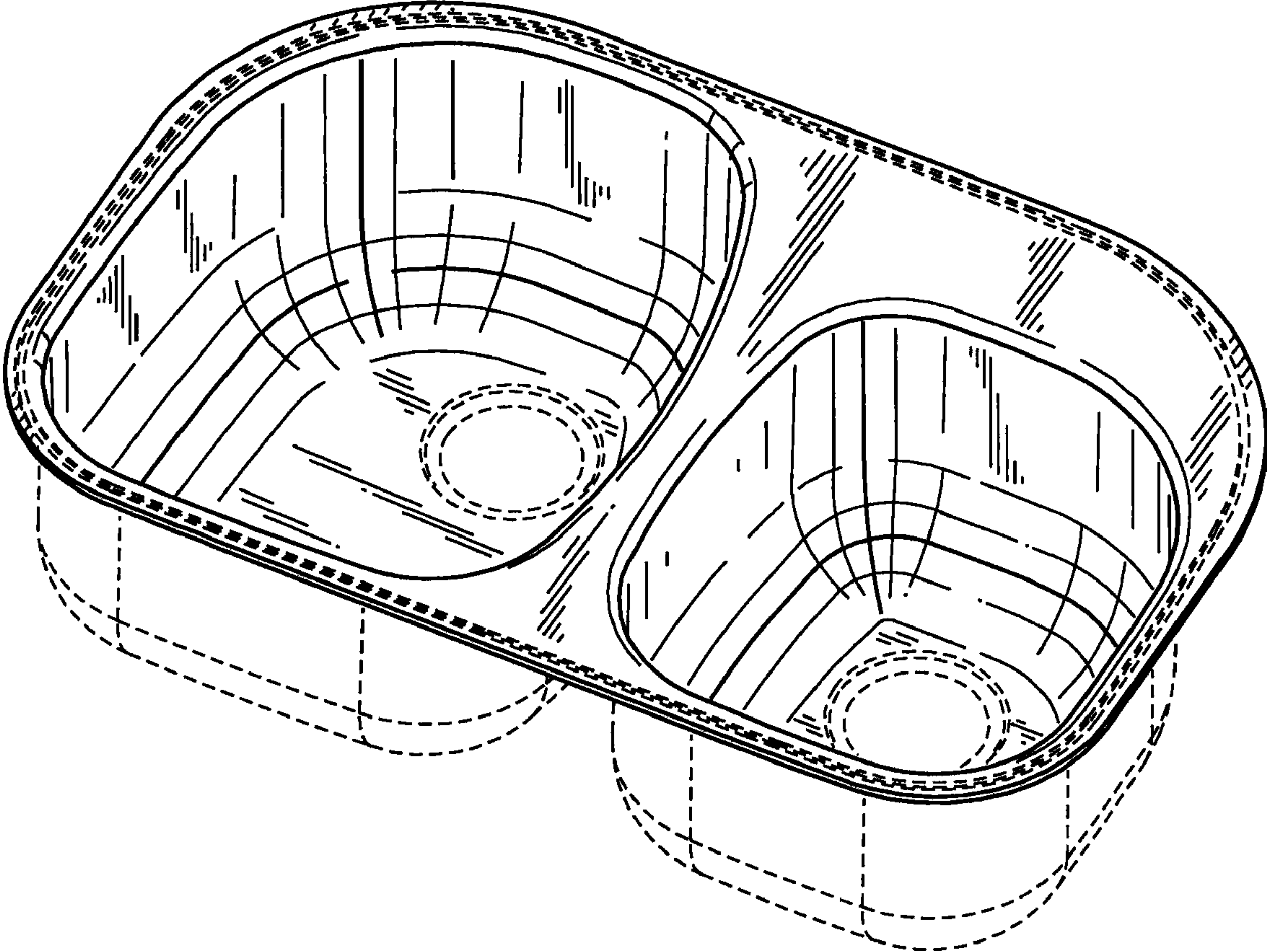


FIG. 9

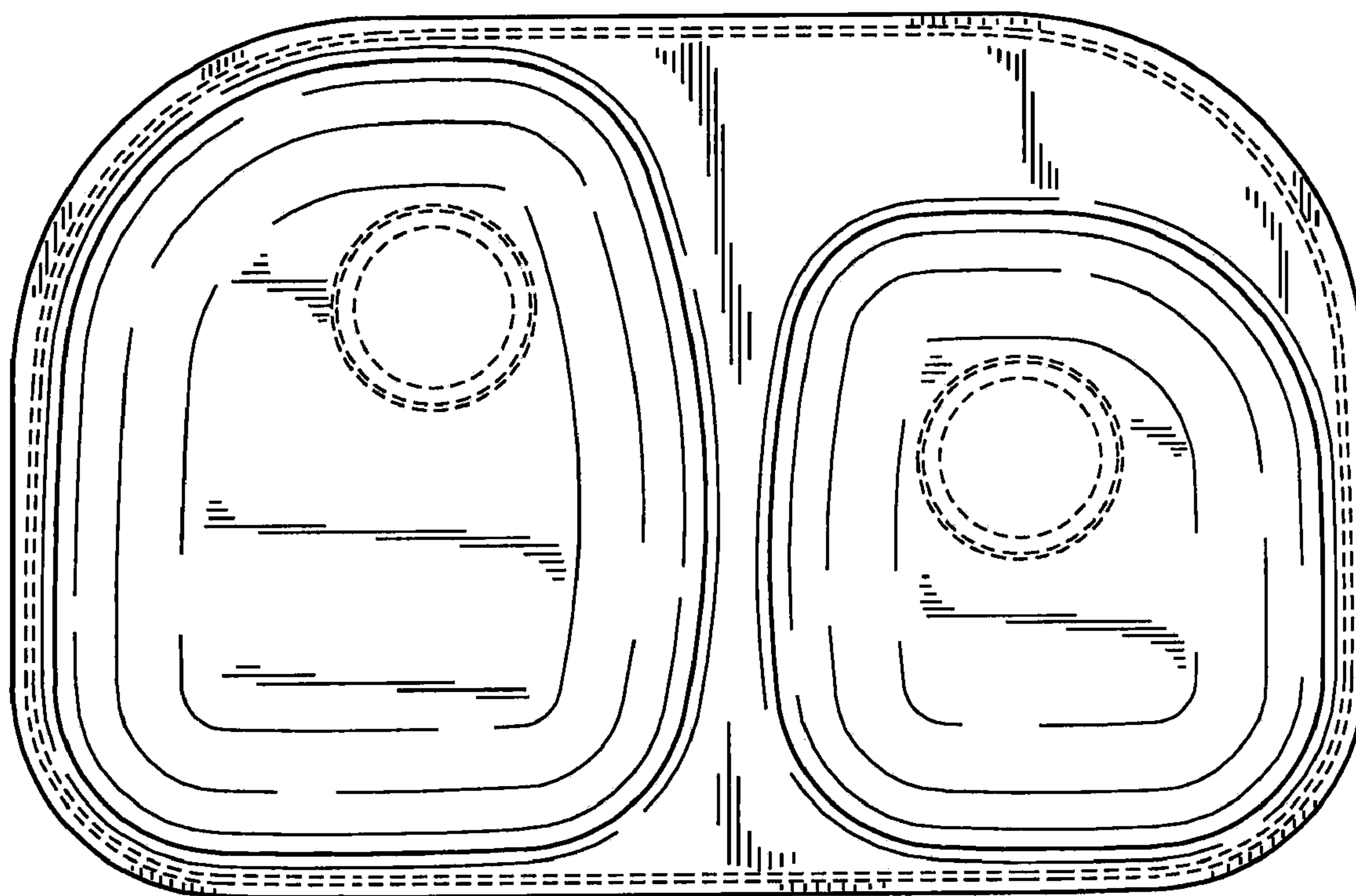


FIG. 10

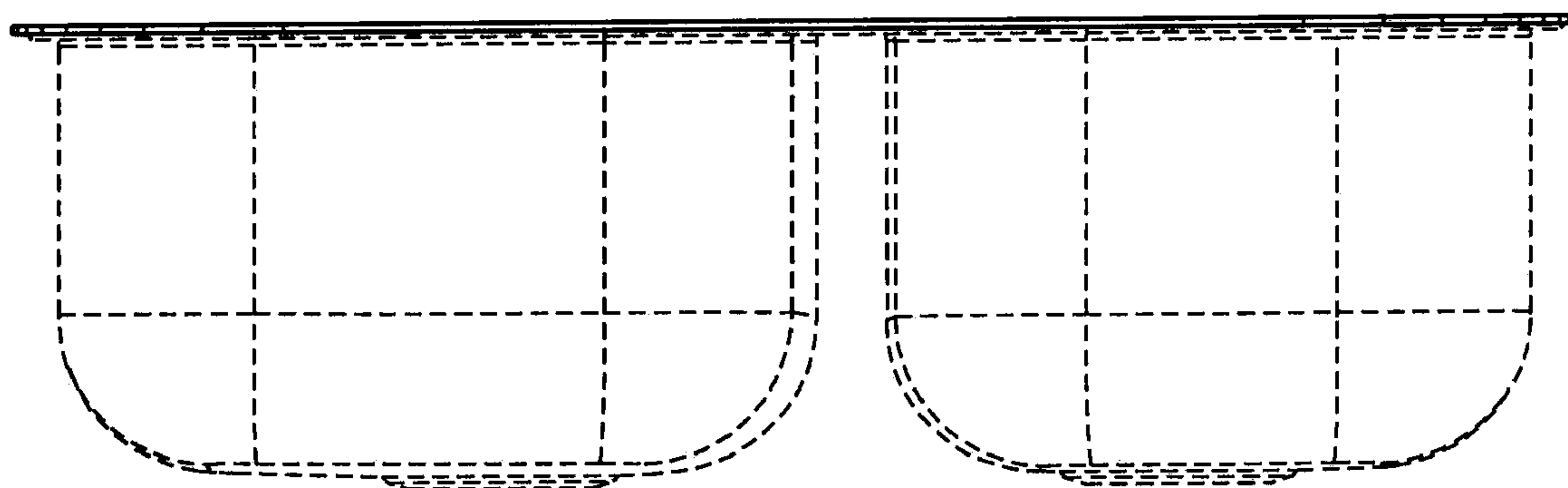


FIG. 11

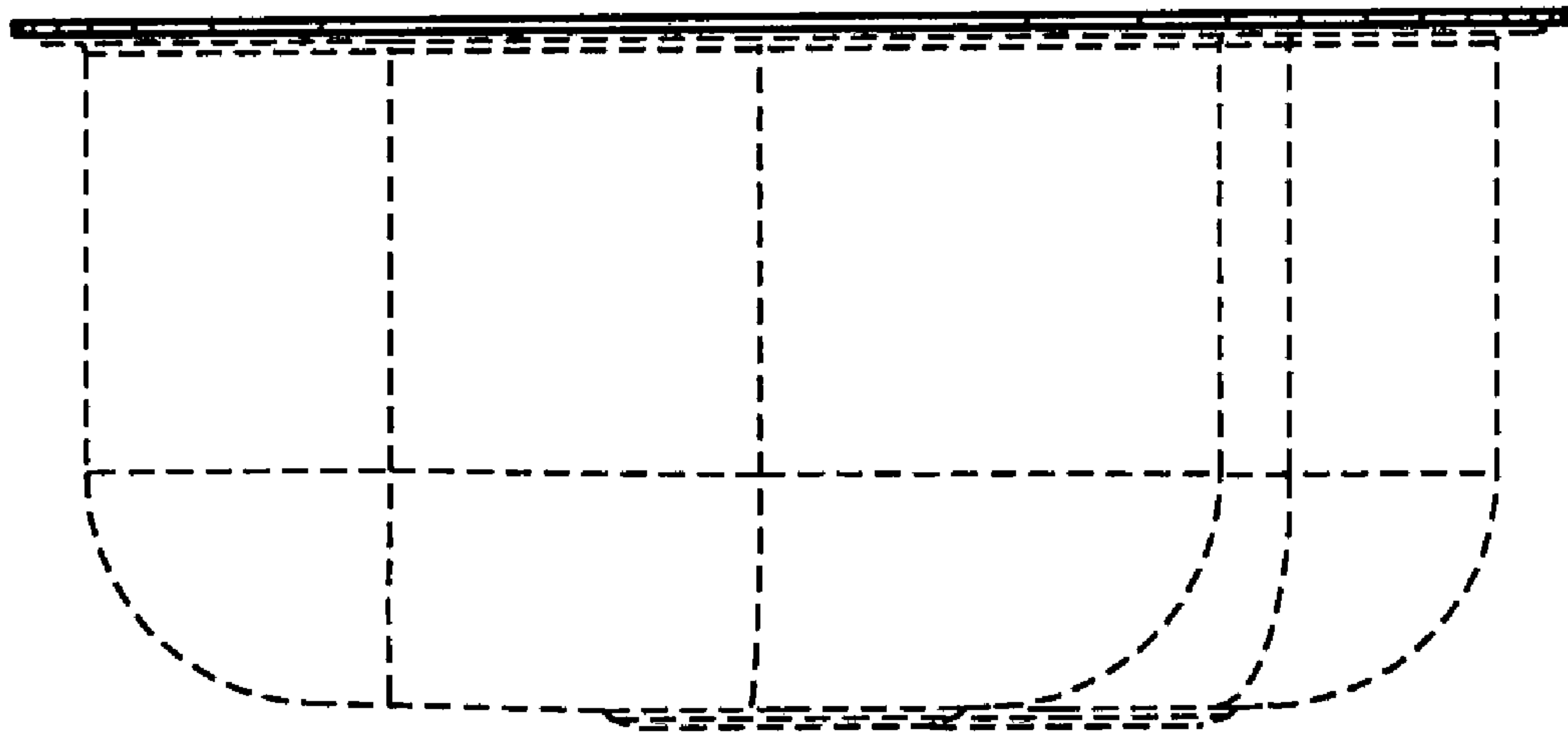


FIG. 12

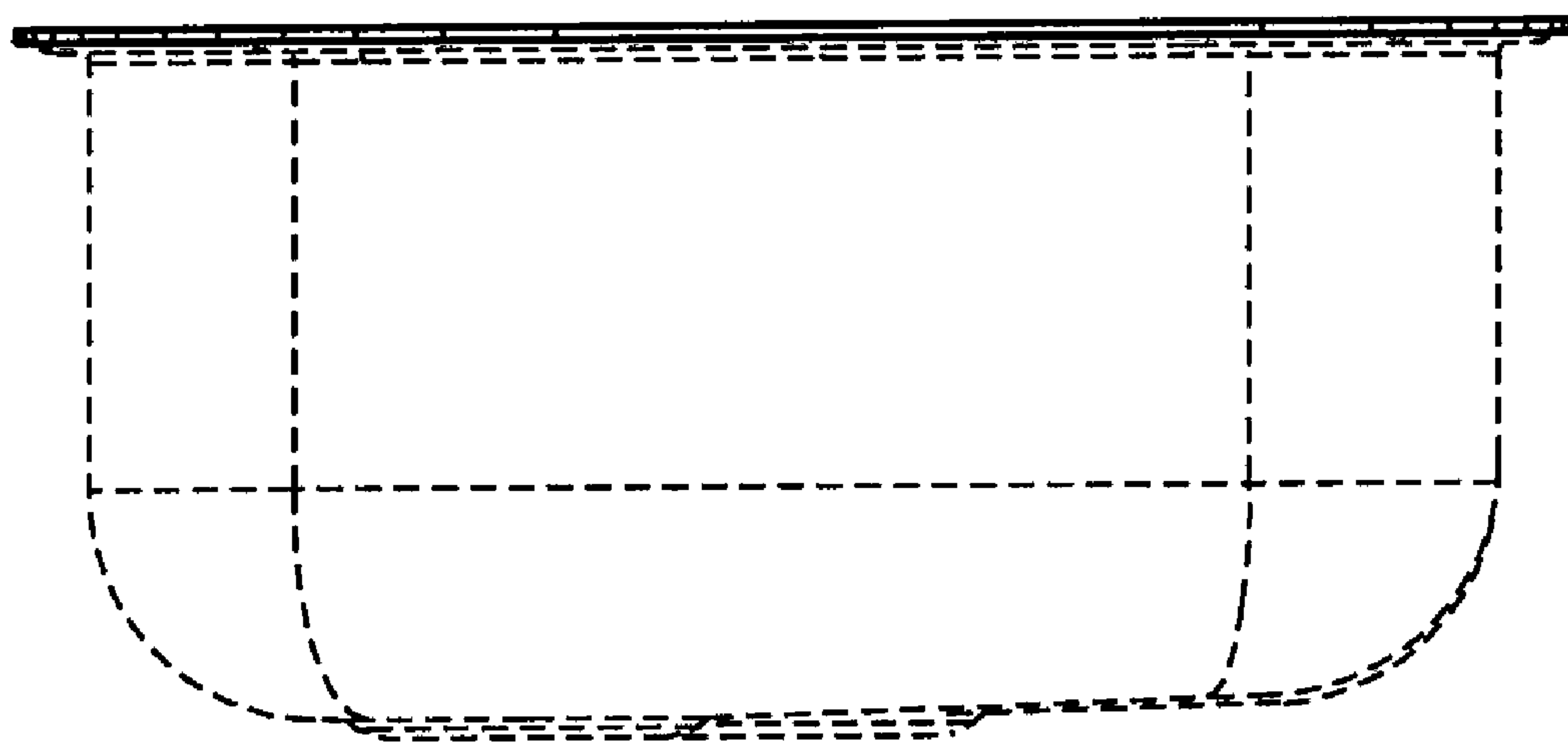


FIG. 13

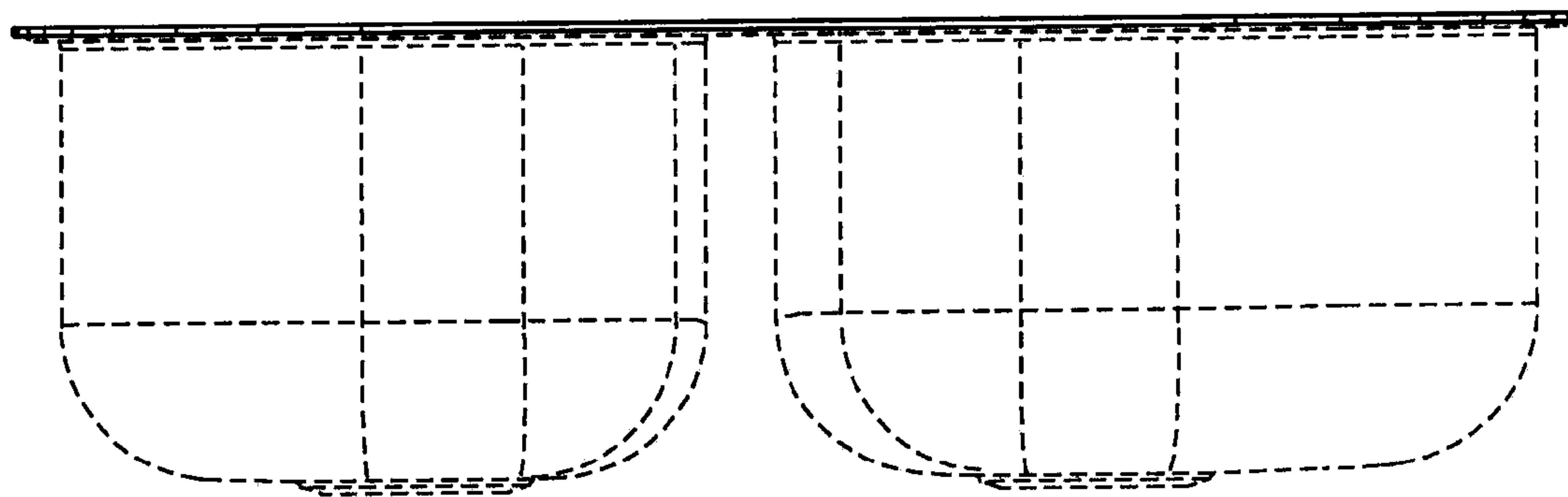


FIG. 14

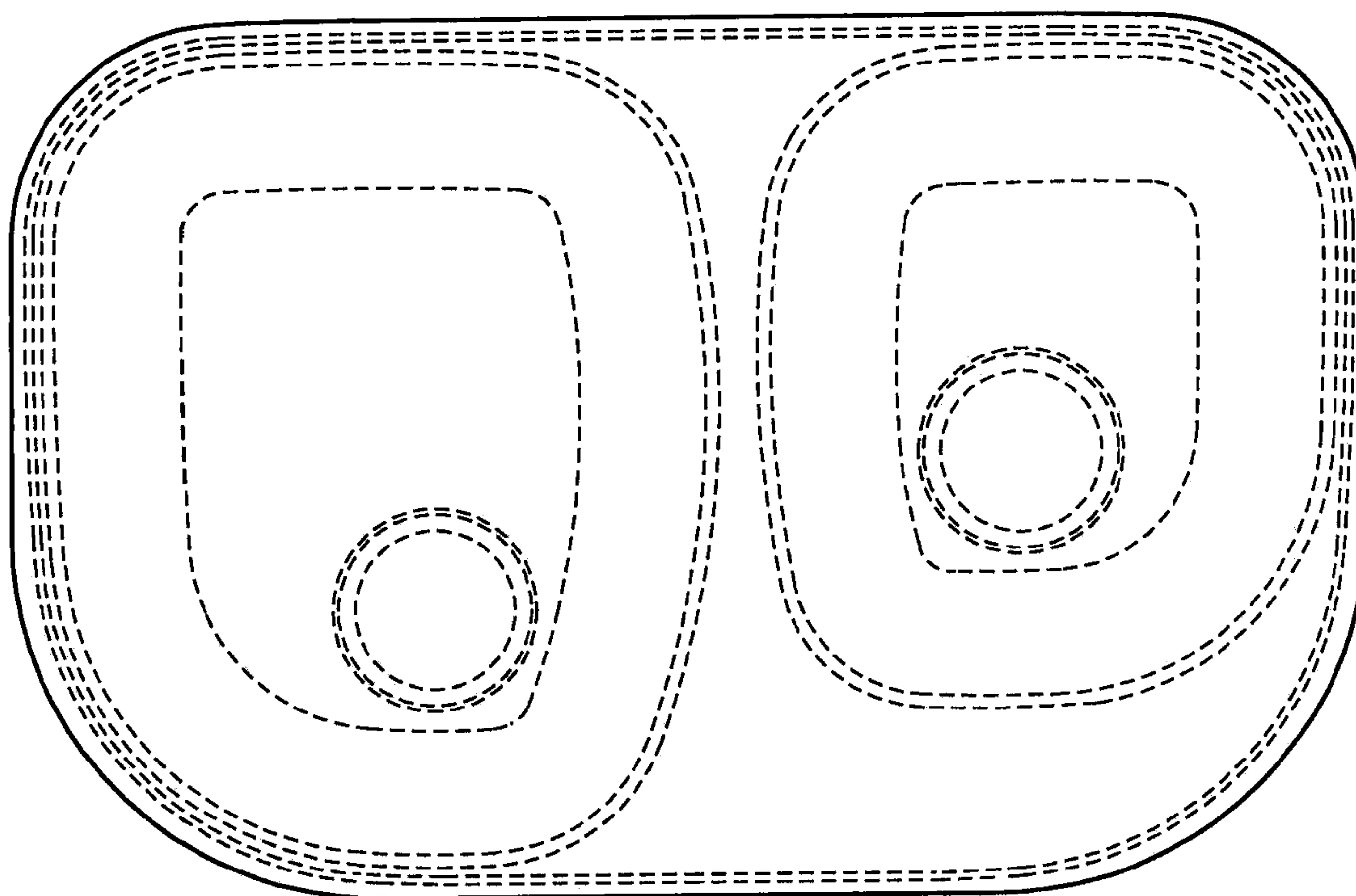


FIG. 15

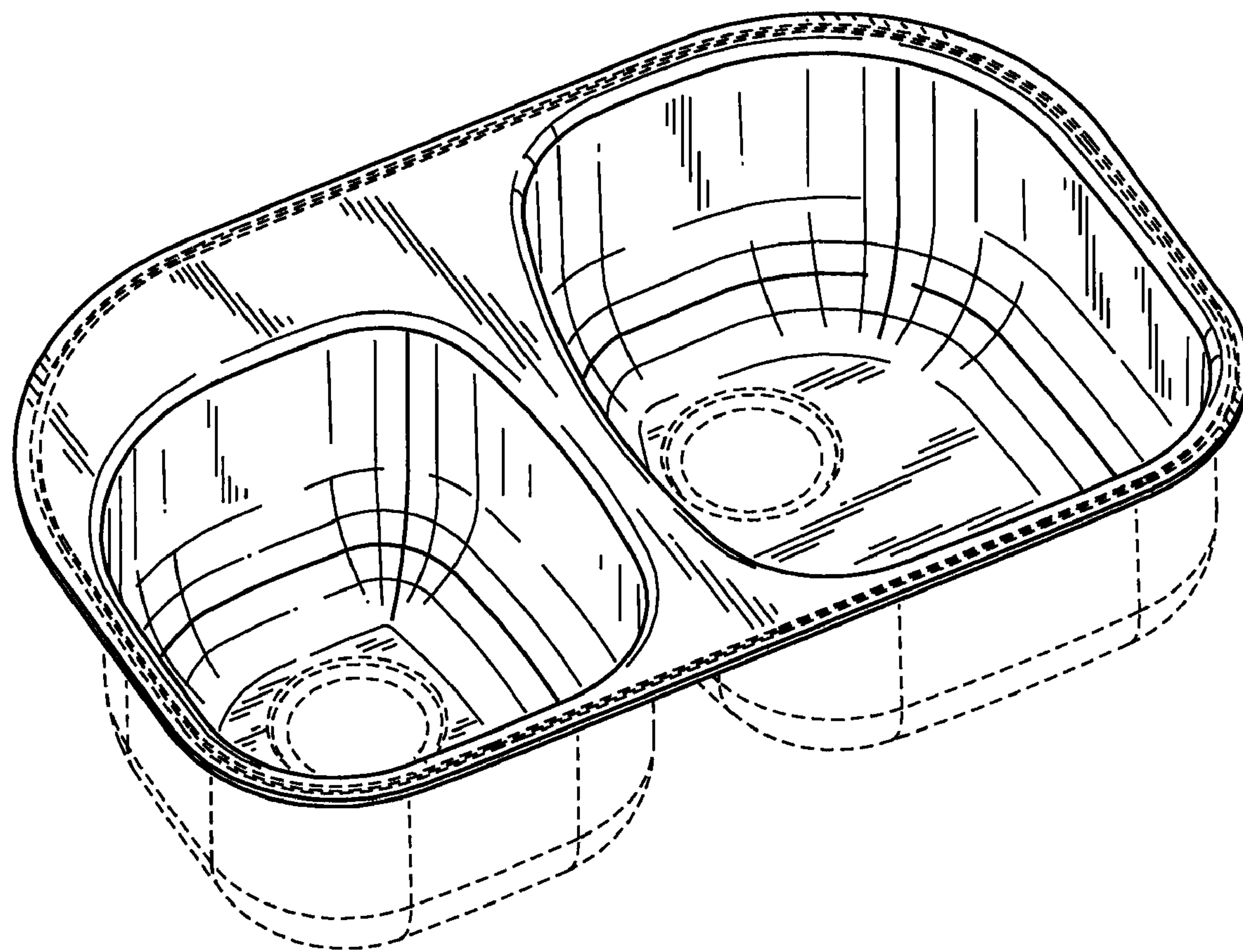


FIG. 16