



US00D627863S

(12) **United States Design Patent**  
**Ball**

(10) **Patent No.:** **US D627,863 S**

(45) **Date of Patent:** **\*\* Nov. 23, 2010**

(54) **BATHTUB OVERFLOW PIPE**

2,374,815 A \* 5/1945 Haas, Jr. .... 138/161  
2,444,340 A 6/1948 Donahue  
2,832,081 A 4/1958 Young  
3,121,879 A 2/1964 Young  
3,493,978 A 2/1970 Hindman et al.

(75) Inventor: **William T. Ball**, Colorado Springs, CO  
(US)

(73) Assignee: **WCM Industries, Inc.**, Colorado  
Springs, CO (US)

(Continued)

(\*\*) Term: **14 Years**

FOREIGN PATENT DOCUMENTS

(21) Appl. No.: **29/362,288**

CH 346187 4/1960

(22) Filed: **May 22, 2010**

(Continued)

**Related U.S. Application Data**

OTHER PUBLICATIONS

(63) Continuation-in-part of application No. 12/057,660,  
filed on Mar. 28, 2008, which is a continuation-in-part  
of application No. 10/732,726, filed on Dec. 10, 2003,  
and a continuation-in-part of application No. 10/229,  
533, filed on Aug. 28, 2002, now Pat. No. 6,675,406,  
which is a continuation-in-part of application No.  
09/954,420, filed on Sep. 17, 2001, now Pat. No.  
6,691,411, which is a continuation of application No.  
09/593,724, filed on Jun. 13, 2000.

“New WATCO Eliminator Bath Waste”, WATCO, as early as Aug. 8,  
2001, pp. 1-2.

(Continued)

*Primary Examiner*—T. Chase Nelson  
*Assistant Examiner*—Eric L Goodman  
(74) *Attorney, Agent, or Firm*—Sheridan Ross P.C.

(51) **LOC (9) Cl.** ..... **23-01**

(52) **U.S. Cl.** ..... **D23/262**

(58) **Field of Classification Search** ..... D23/238,  
D23/249, 259, 262, 266; 285/179, 179.1;  
4/679, 680, 686, 687

See application file for complete search history.

(57) **CLAIM**

The ornamental design for a bathtub overflow pipe, as shown  
and described.

**DESCRIPTION**

(56) **References Cited**

U.S. PATENT DOCUMENTS

427,478 A 5/1890 McEvoy  
843,968 A 2/1907 Sharp, Jr.  
1,213,466 A 1/1917 Delanoy et al.  
1,330,909 A 2/1920 Sharp, Jr.  
1,518,599 A \* 12/1924 Murray ..... 29/890.148  
1,925,008 A 8/1933 Schacht  
1,977,177 A \* 10/1934 De Flores ..... 138/36  
2,044,253 A 6/1936 Morris  
2,062,145 A \* 11/1936 Pickop ..... 285/45  
2,223,365 A 12/1940 Groeniger

FIG. 1 is a perspective view of the bathtub overflow pipe  
showing the new design;

FIG. 2 is a front elevation view thereof;

FIG. 3 is a right elevation view thereof, the left elevation view  
being a mirror image thereof;

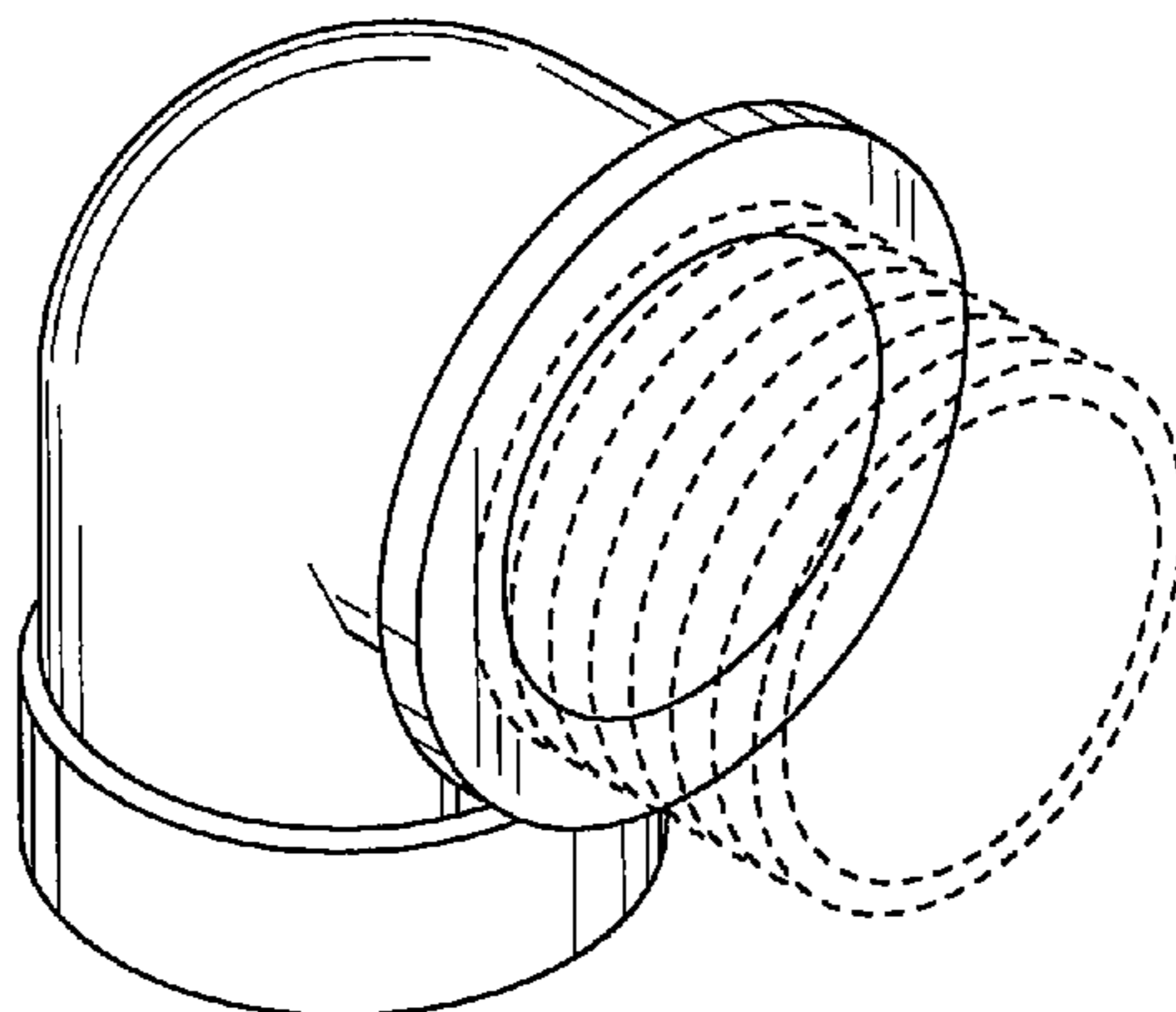
FIG. 4 is a rear elevation view thereof;

FIG. 5 is a top plan view thereof; and,

FIG. 6 is a bottom plan view thereof.

The broken lines in the figures show environment and is for  
illustrative purposes only and forms no part of the claimed  
design.

**1 Claim, 3 Drawing Sheets**



# US D627,863 S

## U.S. PATENT DOCUMENTS

3,937,497 A 2/1976 Studer  
 4,135,258 A \* 1/1979 Braga et al. .... 241/46.015  
 4,146,939 A 4/1979 Izzi  
 4,233,697 A 11/1980 Cornwall  
 4,307,901 A 12/1981 Orberg et al.  
 4,352,213 A 10/1982 Watts  
 4,359,790 A 11/1982 Chalberg  
 4,387,914 A \* 6/1983 Paulson et al. .... 285/119  
 4,413,384 A 11/1983 Lassche  
 4,553,625 A 11/1985 Tsuge et al.  
 4,683,597 A 8/1987 Taylor et al.  
 4,730,855 A \* 3/1988 Pelletier ..... 285/179  
 D296,816 S \* 7/1988 Budzinski et al. .... D23/263  
 4,813,745 A 3/1989 Woody  
 4,825,477 A 5/1989 Aranda  
 4,865,353 A \* 9/1989 Osborne ..... 285/16  
 4,920,582 A 5/1990 Alker  
 4,953,235 A \* 9/1990 Cornwall ..... 4/679  
 5,025,509 A 6/1991 Holt et al.  
 5,257,648 A 11/1993 Oropallo  
 5,273,077 A 12/1993 Oropallo  
 5,350,266 A 9/1994 Espey et al.  
 5,351,996 A \* 10/1994 Martin ..... 285/64  
 5,377,361 A 1/1995 Piskula  
 5,507,501 A 4/1996 Palmer  
 5,590,916 A \* 1/1997 Liu ..... 285/179.1  
 5,692,248 A 12/1997 Ball  
 5,745,931 A 5/1998 Ball  
 5,786,054 A \* 7/1998 Platusich et al. .... 428/36.91  
 5,799,986 A \* 9/1998 Corbett et al. .... 285/55  
 5,815,895 A 10/1998 Carlson et al.  
 5,890,241 A 4/1999 Ball  
 5,957,514 A 9/1999 Brookshire  
 5,971,438 A \* 10/1999 Johnson ..... 285/12  
 6,058,526 A 5/2000 Parisi et al.  
 6,073,278 A 6/2000 Ball  
 D428,133 S 7/2000 Chen  
 6,085,363 A 7/2000 Huber  
 6,088,843 A 7/2000 Francisco  
 6,126,233 A 10/2000 Gaetano et al.  
 6,145,136 A 11/2000 Parisi et al.  
 6,192,531 B1 2/2001 Fritz et al.  
 6,193,879 B1 \* 2/2001 Bowman ..... 210/153  
 6,263,518 B1 7/2001 Magtanong  
 6,289,532 B1 9/2001 Fritz et al.  
 6,295,664 B2 10/2001 Fritz et al.  
 6,338,168 B1 1/2002 Valentine  
 6,362,734 B1 3/2002 McQuade et al.  
 6,448,907 B1 9/2002 Naclerio  
 6,484,331 B2 11/2002 Minnick  
 6,530,722 B1 3/2003 Shaw et al.  
 6,546,573 B1 \* 4/2003 Ball ..... 4/680  
 6,606,753 B2 8/2003 Minnick  
 6,618,875 B1 9/2003 Oropallo et al.  
 6,637,050 B1 10/2003 Ball  
 6,675,406 B2 1/2004 Ball  
 6,691,411 B2 2/2004 Ball  
 6,696,943 B1 2/2004 Elrod et al.  
 6,812,844 B1 11/2004 Burgess  
 6,836,911 B2 1/2005 Minnick  
 6,953,049 B2 \* 10/2005 Kowalke ..... 137/355.23

D517,666 S \* 3/2006 Wilk et al. .... D23/262  
 D523,123 S \* 6/2006 Wilk et al. .... D23/262  
 7,127,752 B2 10/2006 Ball  
 7,300,074 B1 \* 11/2007 Paulson ..... 285/179  
 D586,433 S \* 2/2009 Price et al. .... D23/259  
 2002/0032926 A1 3/2002 Lewis  
 2003/0151281 A1 8/2003 Williams  
 2004/0068793 A1 4/2004 Ball  
 2004/0111797 A1 6/2004 Ball  
 2004/0117907 A1 6/2004 Ball  
 2007/0007763 A1 \* 1/2007 Deaton ..... 285/179  
 2008/0148477 A1 \* 6/2008 Shafik ..... 4/679  
 2008/0235866 A1 10/2008 Ball  
 2009/0261579 A1 \* 10/2009 Spears ..... 285/133.5

## FOREIGN PATENT DOCUMENTS

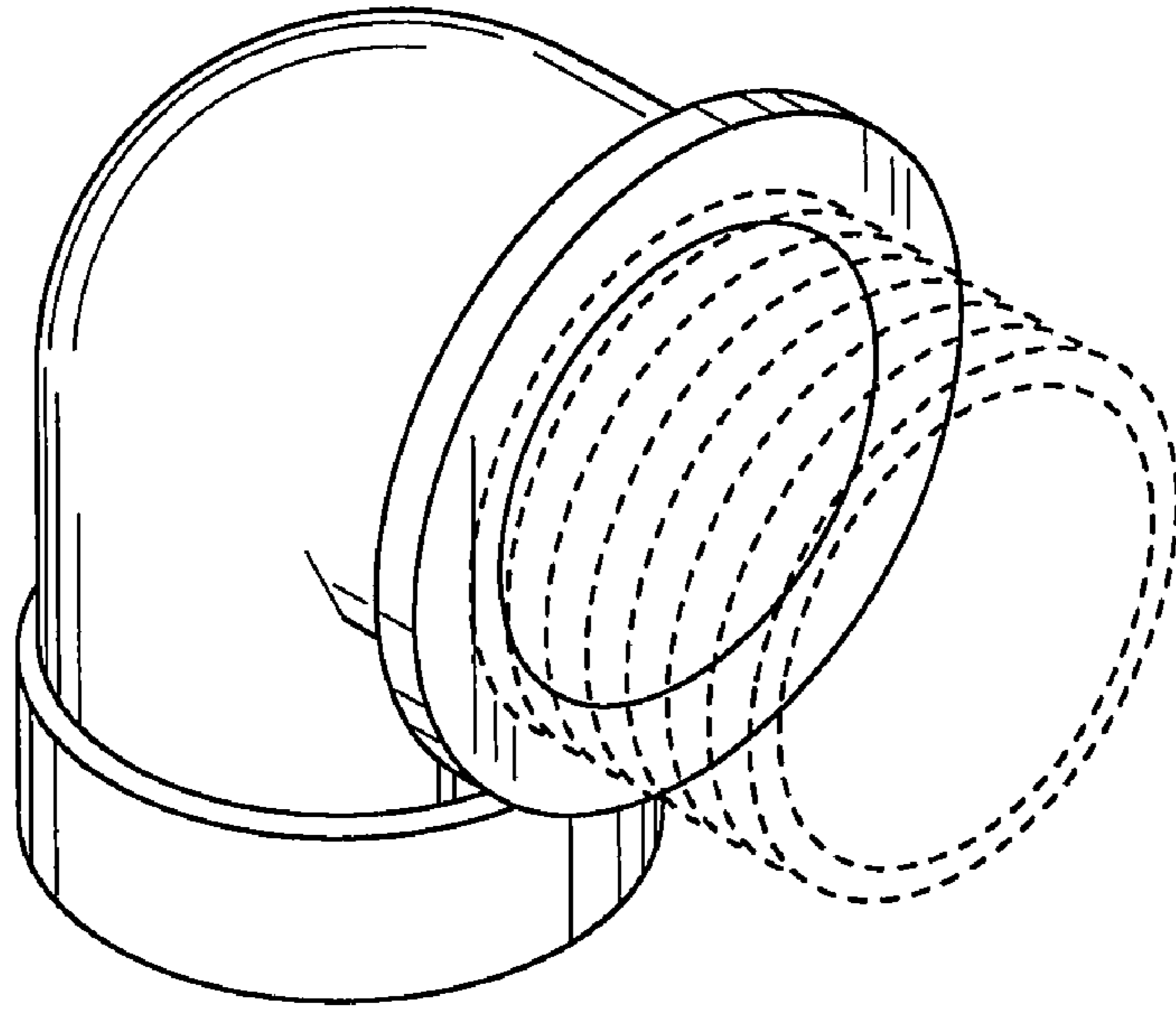
DE 1163257 2/1964  
 FR 744099 4/1933

## OTHER PUBLICATIONS

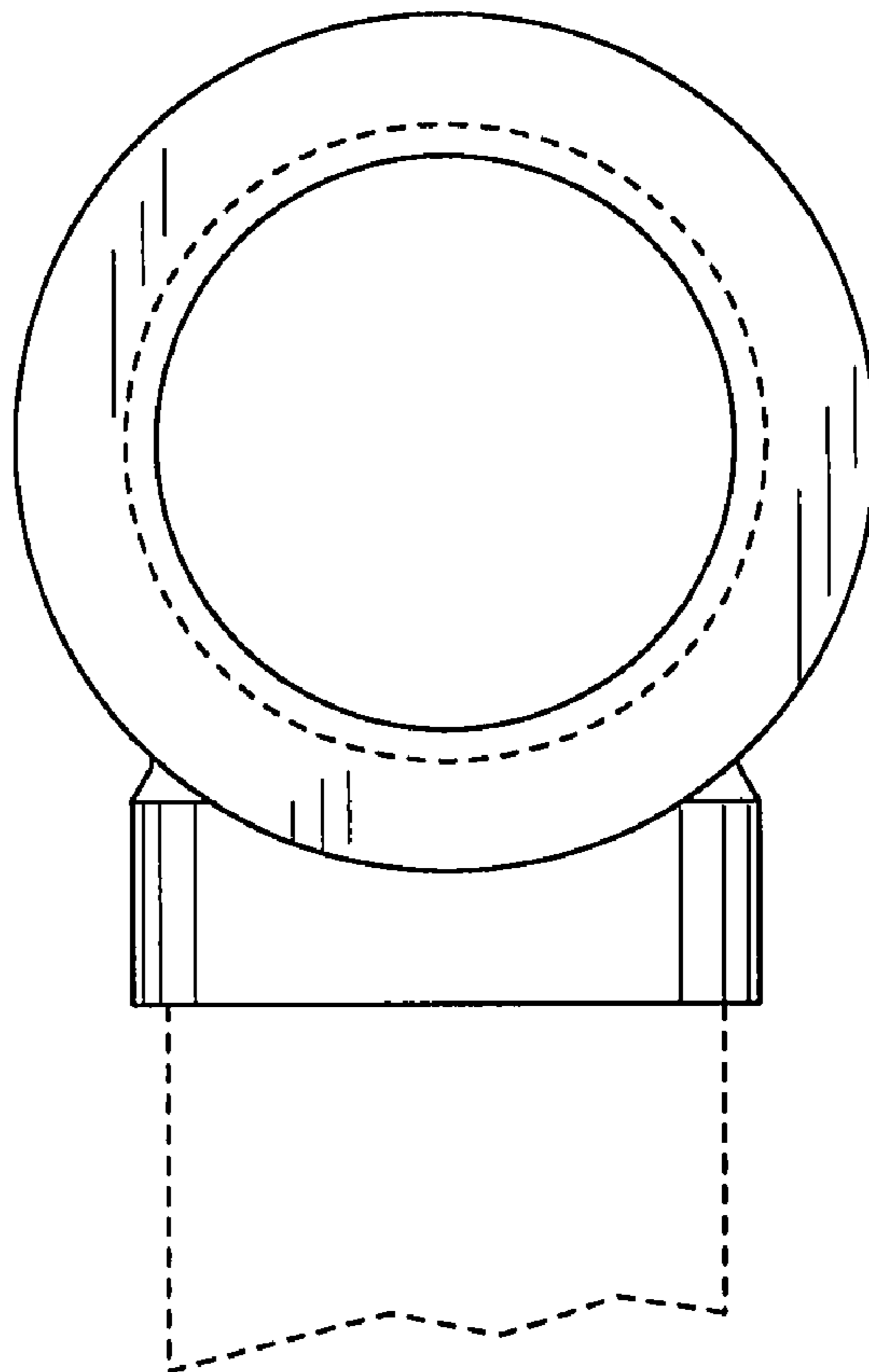
“Tubular Plastic-Innovator® 590”, Woodford Manufacturing Company, first sold Aug. 16, 2001, pp. 1-2.  
 “WCM Industries-Freezeless Faucets, Yard Hydrants and Bath Wastes”, as early as Aug. 2000, available at <http://www.woodfordmfg.com/>, printed on Sep. 15, 2005, p. 1.  
 Official Action for U.S. Appl. No. 10/732,726, mailed Mar. 28, 2005.  
 Official Action for U.S. Appl. No. 10/732,726, mailed May 23, 2005.  
 Official Action for U.S. Appl. No. 10/732,726, mailed Oct. 24, 2005.  
 Official Action for U.S. Appl. No. 10/732,726, mailed May 19, 2006.  
 Official Action for U.S. Appl. No. 10/732,726, mailed Jan. 30, 2008.  
 Official Action for U.S. Appl. No. 10/732,726, mailed Jun. 2, 2008.  
 Official Action for U.S. Appl. No. 10/732,726, mailed Aug. 20, 2008.  
 Official Action for U.S. Appl. No. 10/732,726, mailed Nov. 17, 2008.  
 Official Action for U.S. Appl. No. 10/732,726, mailed Dec. 9, 2008.  
 Official Action for U.S. Appl. No. 10/732,726, mailed May 1, 2008.  
 Official Action for U.S. Appl. No. 10/732,726, mailed Sep. 4, 2009.  
 Official Action for U.S. Appl. No. 10/732,726, mailed Apr. 15, 2010.  
 Official Action for U.S. Appl. No. 10/674,862, mailed Mar. 28, 2005.  
 Official Action for U.S. Appl. No. 10/674,862, mailed Aug. 18, 2004.  
 Notice of Allowance for U.S. Appl. No. 10/674,862, mailed Aug. 24, 2006.  
 Official Action for U.S. Appl. No. 10/674,862, mailed Oct. 6, 2005.  
 Official Action for U.S. Appl. No. 10/674,862, mailed Sep. 20, 2005.  
 Official Communication for U.S. Appl. No. 10/674,862, mailed May 23, 2008.  
 Examiner’s Answer for U.S. Appl. No. 10/674,862, mailed May 15, 2008.  
 Official Action for U.S. Appl. No. 10/674,862, mailed May 1, 2007.  
 Official Action for U.S. Appl. No. 10/674,862, mailed Dec. 21, 2006.  
 Notice of Allowance for U.S. Appl. No. 10/738,772, mailed Aug. 1, 2006.  
 Official Action for U.S. Appl. No. 10/738,772, mailed May 11, 2006.  
 Official Action for U.S. Appl. No. 10/738,772, mailed Mar. 27, 2006.  
 Official Action for U.S. Appl. No. 10/738,772, mailed Aug. 2, 2005.  
 Official Action for U.S. Appl. No. 10/738,772, mailed May 13, 2005.  
 Official Action for U.S. Appl. No. 10/738,772, mailed Mar. 11, 2005.  
 Official Action for U.S. Appl. No. 10/738,772, mailed Sep. 17, 2004.  
 Official Action for U.S. Appl. No. 10/738,772, mailed May 22, 2007.  
 Official Action for U.S. Appl. No. 10/738,772, mailed Jan. 13, 2006.  
 Official Action for U.S. Appl. No. 10/738,772, mailed Jun. 6, 2005.  
 Official Action for U.S. Appl. No. 10/738,772, mailed Apr. 13, 2006.

\* cited by examiner

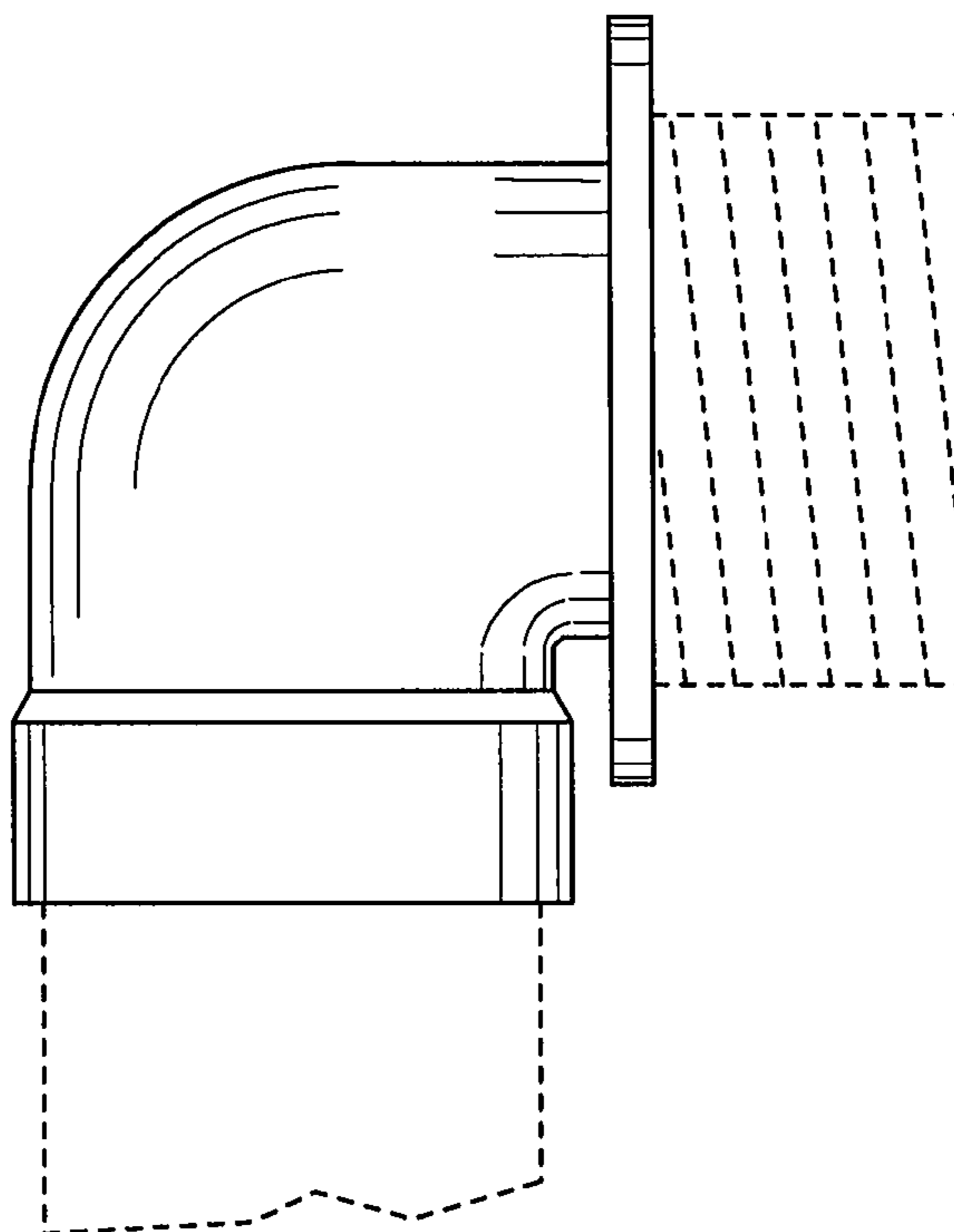
**Fig. 1**



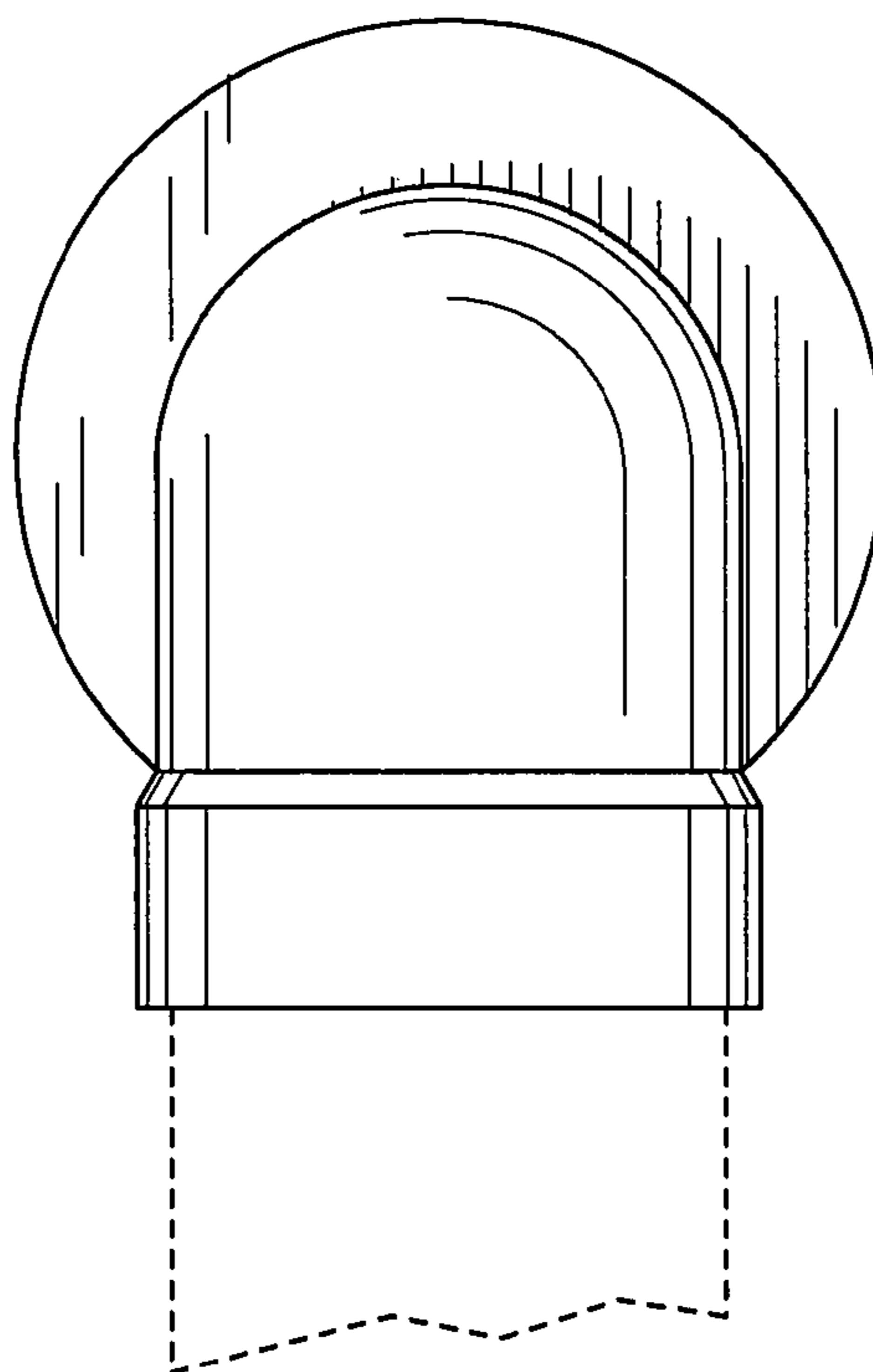
**Fig. 2**



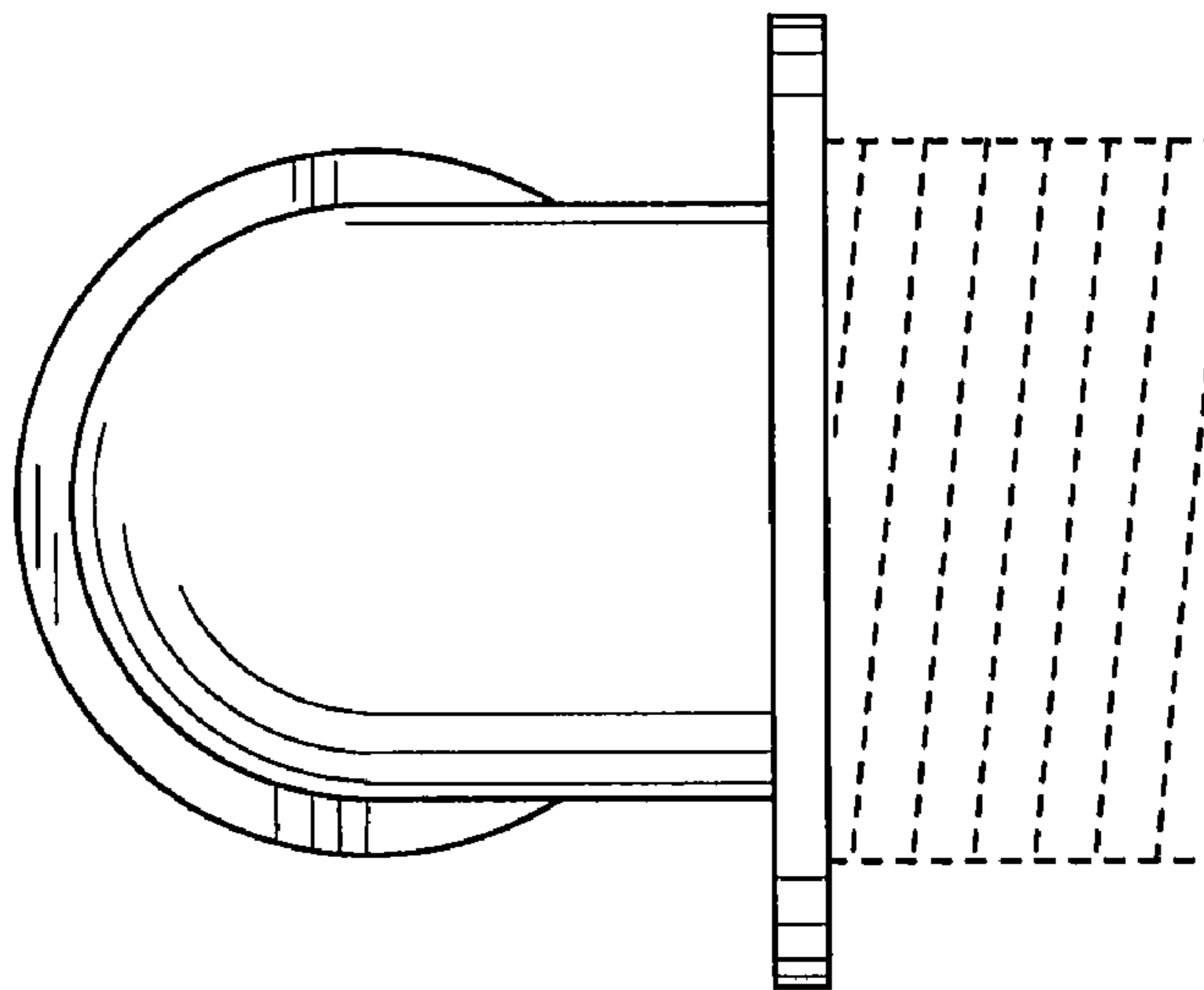
**Fig. 3**



**Fig. 4**



**Fig. 5**



**Fig. 6**

