



US00D627861S

(12) **United States Design Patent**  
**Sandee et al.**

(10) **Patent No.:** **US D627,861 S**

(45) **Date of Patent:** **\*\* Nov. 23, 2010**

(54) **PLUMBING FITTING**

(75) Inventors: **Coralee S. Sandee**, Sheboygan, WI (US); **Howard M. Montgomery**, Skokie, IL (US); **Herbert V. Kohler, Jr.**, Kohler, WI (US)

(73) Assignee: **Kohler Co.**, Kohler, WI (US)

(\*\*) Term: **14 Years**

(21) Appl. No.: **29/342,317**

(22) Filed: **Aug. 21, 2009**

(51) **LOC (9) Cl.** ..... **23-01**

(52) **U.S. Cl.** ..... **D23/254**

(58) **Field of Classification Search** ..... D23/238–243, D23/250, 252, 254; 4/676–677; D8/350–353, D8/308; 137/350–353

See application file for complete search history.

(56) **References Cited**

**U.S. PATENT DOCUMENTS**

D542,384 S \* 5/2007 Starck ..... D23/254  
D592,284 S \* 5/2009 Lammel et al. .... D23/254

**FOREIGN PATENT DOCUMENTS**

DE 000130414-0008 5/2004  
DE 000233309-0007 3/2005

**OTHER PUBLICATIONS**

Danze. Thermostatic Shower Trim. Danze.com online catalog.  
Danze. Thermostatic Shower Trim. Danze.com online catalog.  
Hastings TileBath.com. Control handle. HastingsTileBath.com online catalog.  
Dornbracht.com Bath and Shower Mixer and Rain Shower Head and Curtain Ring. Dornbracht.com online catalog.

\* cited by examiner

*Primary Examiner*—Robert A Delehanty  
(74) *Attorney, Agent, or Firm*—Quarles & Brady LLP

(57) **CLAIM**

The ornamental design for a plumbing fitting, as shown and described.

**DESCRIPTION**

FIG. 1 is a right, top, front perspective view of a plumbing fitting according to our new design;

FIG. 2 is a front elevational view thereof;

FIG. 3 is a right side elevational view thereof;

FIG. 4 is a left side elevational view thereof;

FIG. 5 is a top plan view thereof;

FIG. 6 is a bottom plan view thereof;

FIG. 7 is a rear elevational view thereof;

FIG. 8 is a right, top, front perspective view of a plumbing fitting according to another embodiment of our new design;

FIG. 9 is a front elevational view thereof;

FIG. 10 is a right side elevational view thereof;

FIG. 11 is a left side elevational view thereof;

FIG. 12 is a top plan view thereof;

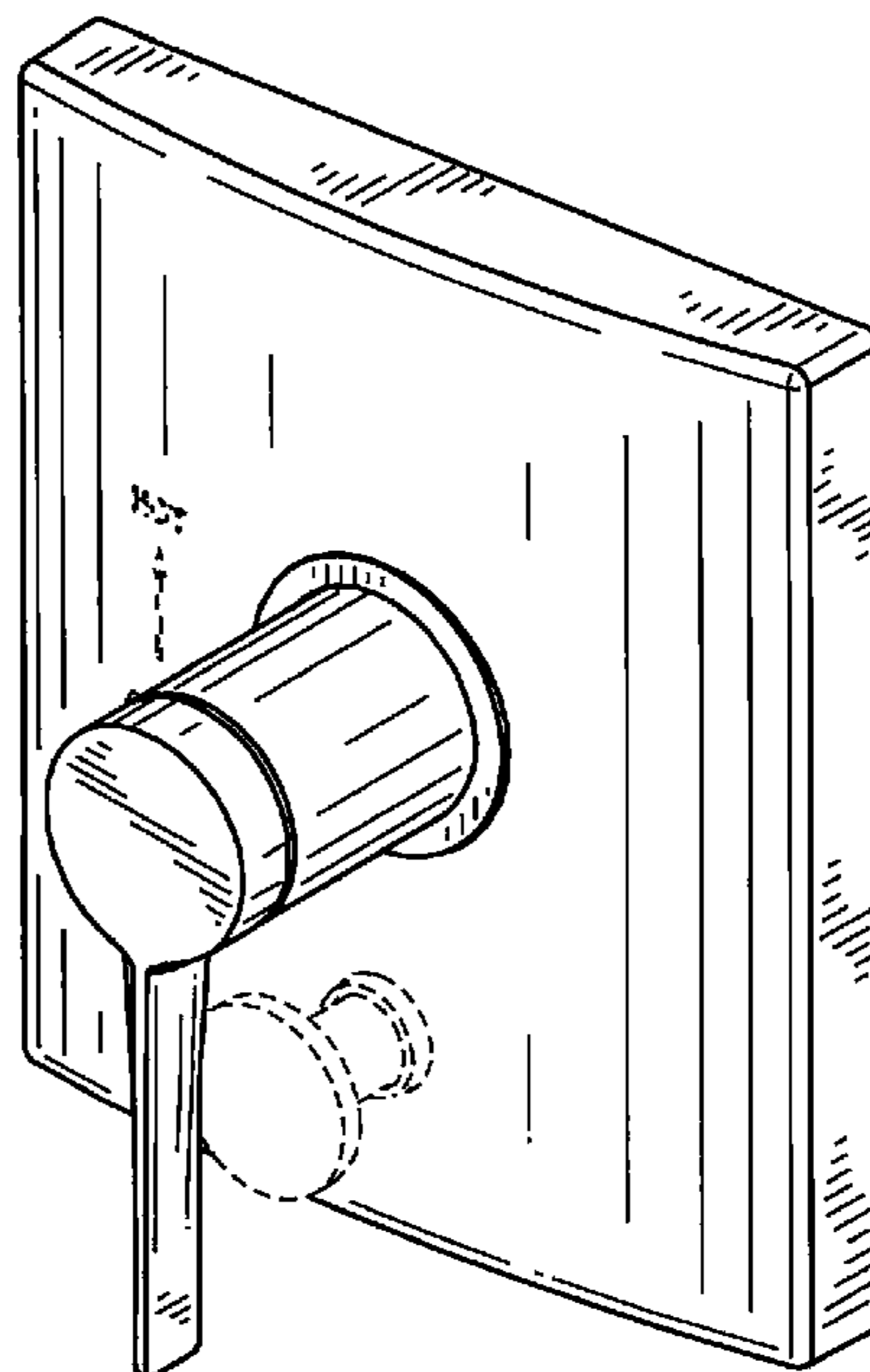
FIG. 13 is a bottom plan view thereof; and,

FIG. 14 is a rear elevational view thereof.

The broken line representations in the figures are for the purpose of illustration only, and form no part of the claimed design.

In a preferred embodiment, the nature of this product is a plumbing fitting, such as a shower and/or bath control.

**1 Claim, 8 Drawing Sheets**



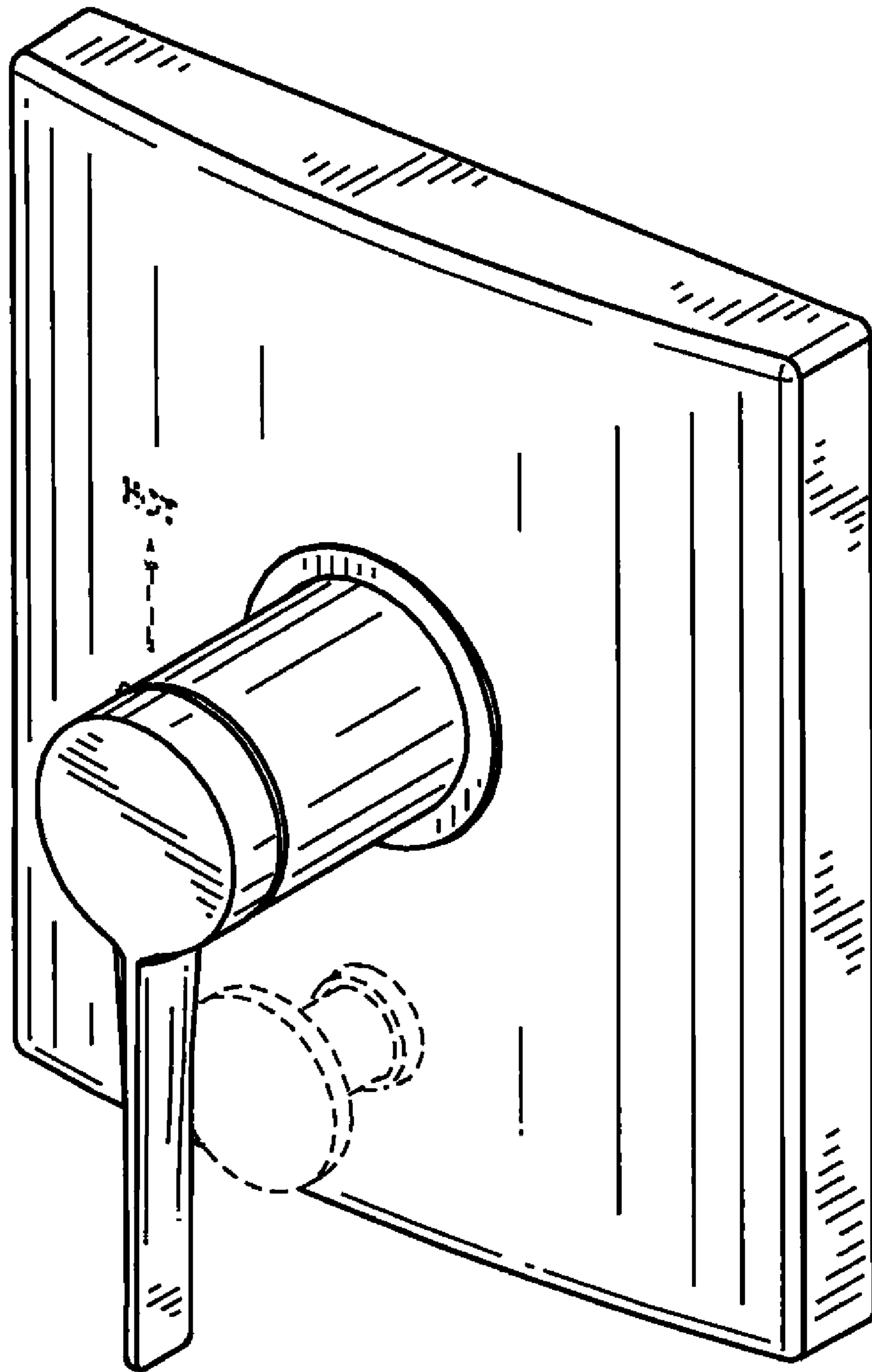


FIG. 1

FIG. 2

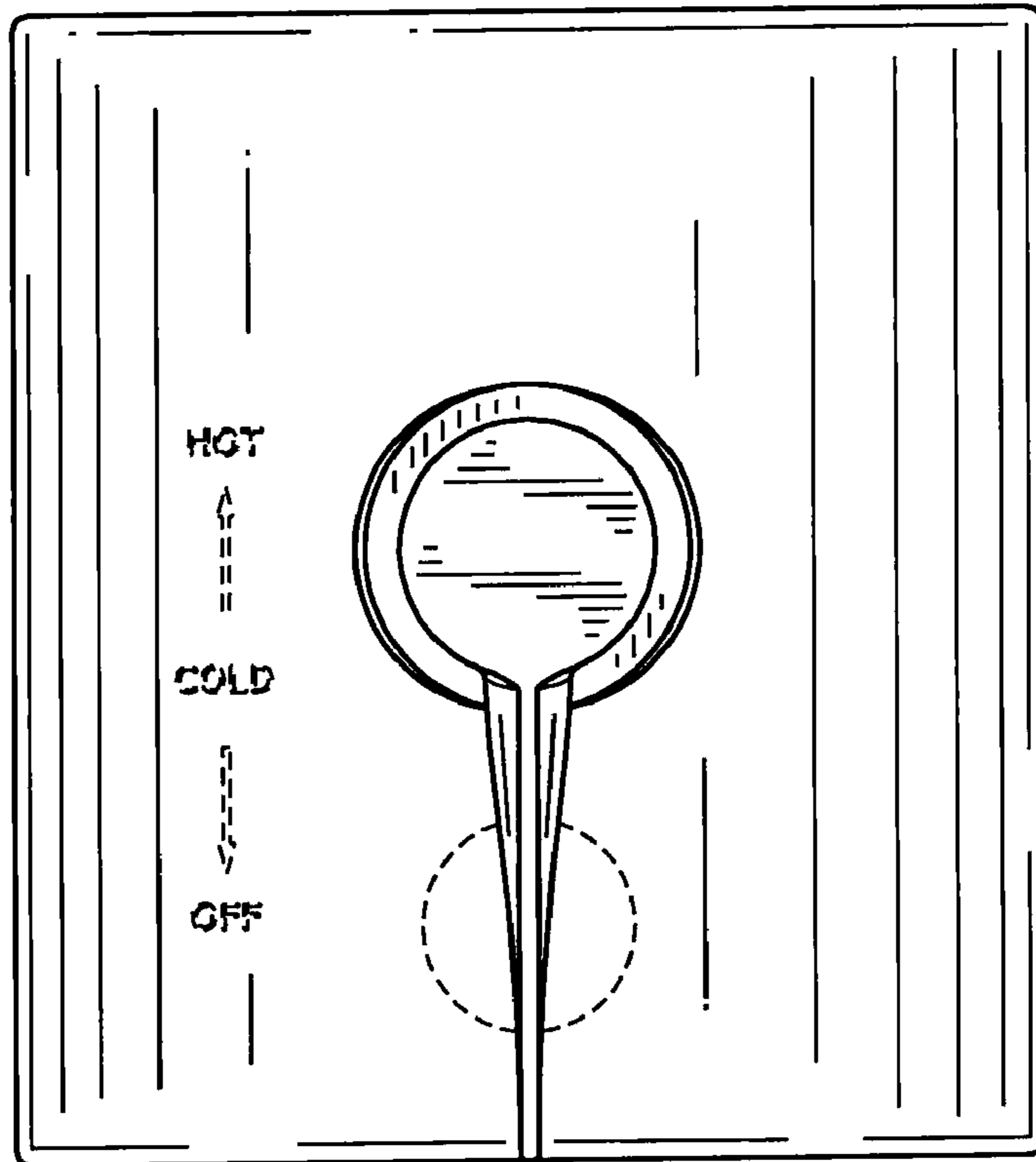


FIG. 3

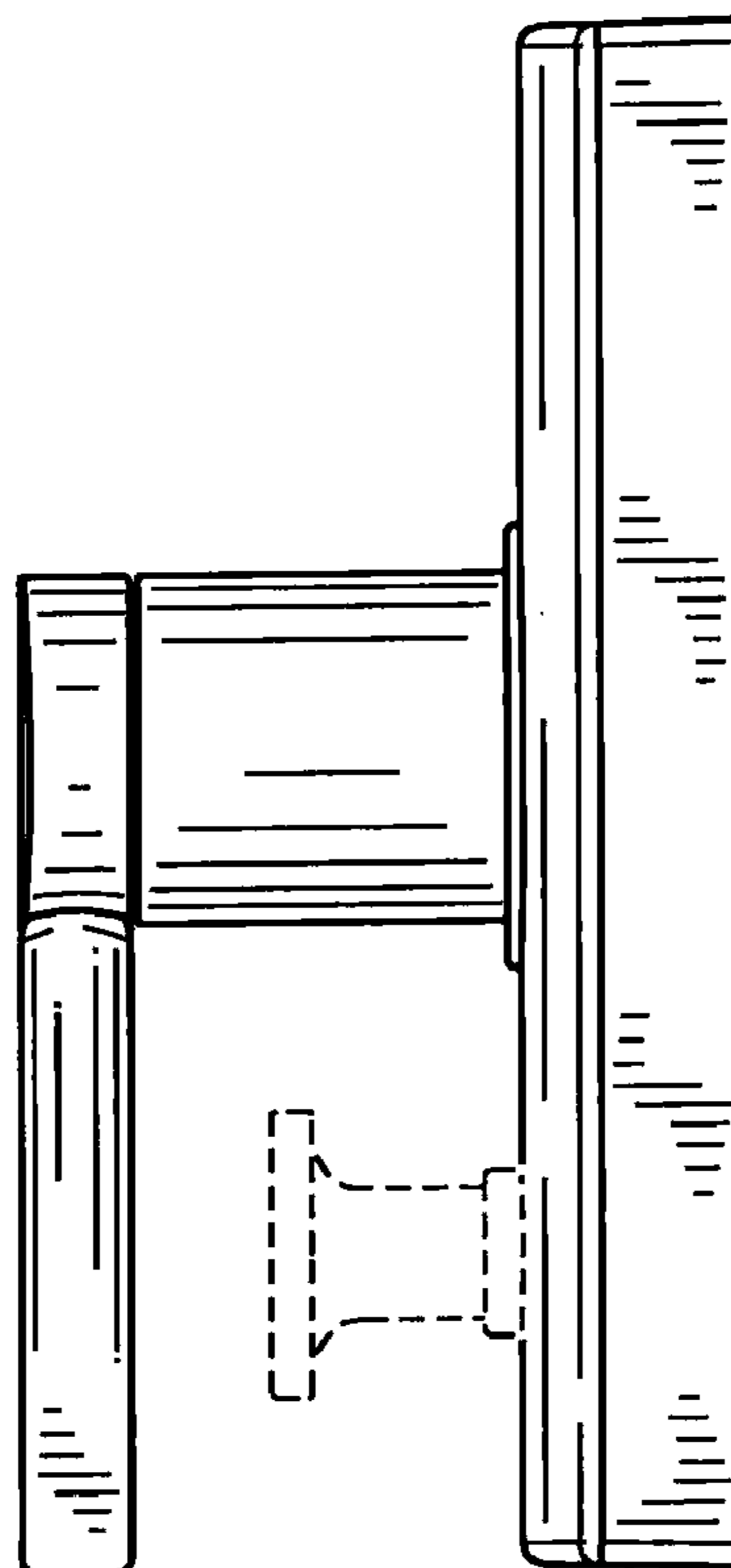


FIG. 4

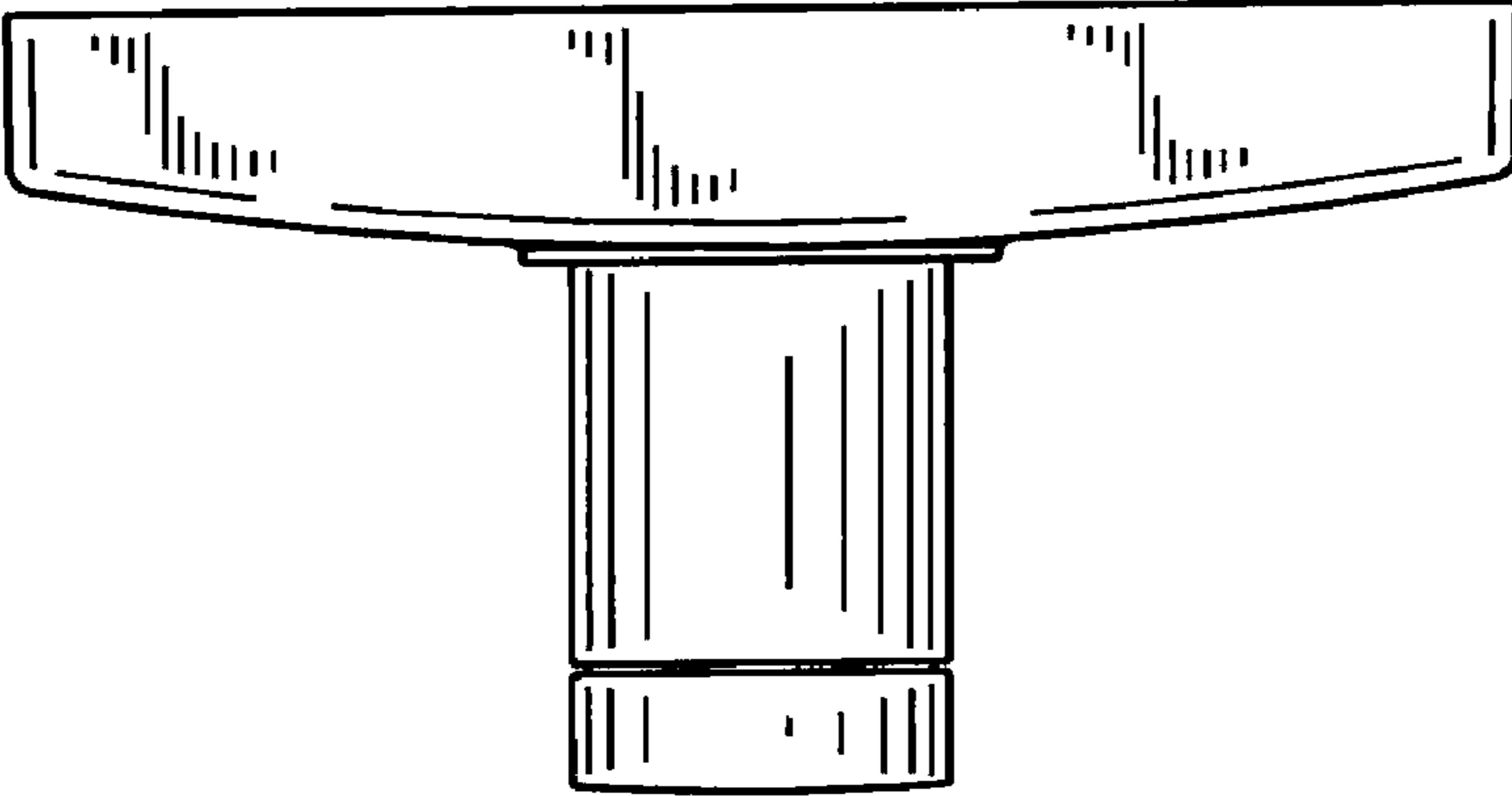
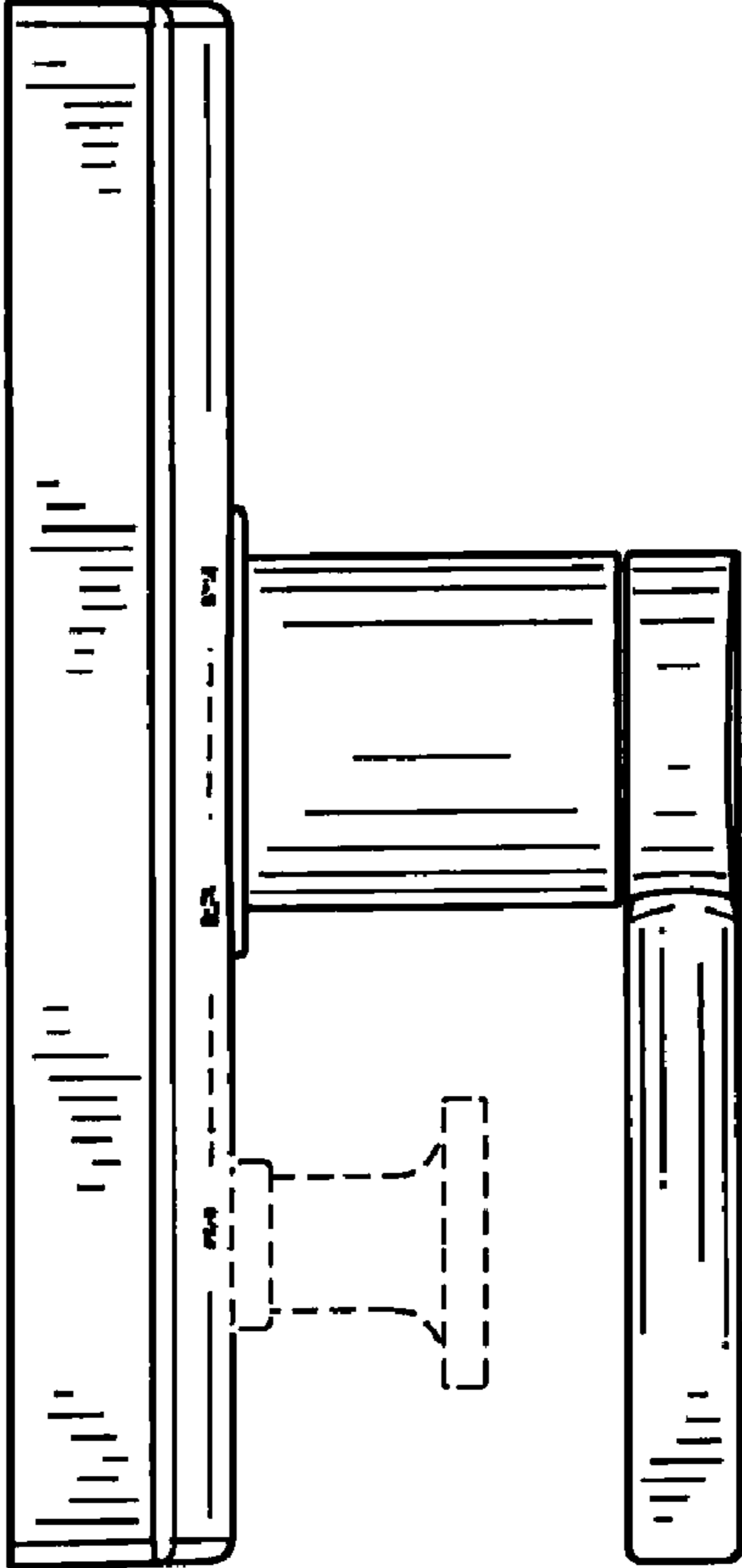


FIG. 5

FIG. 6

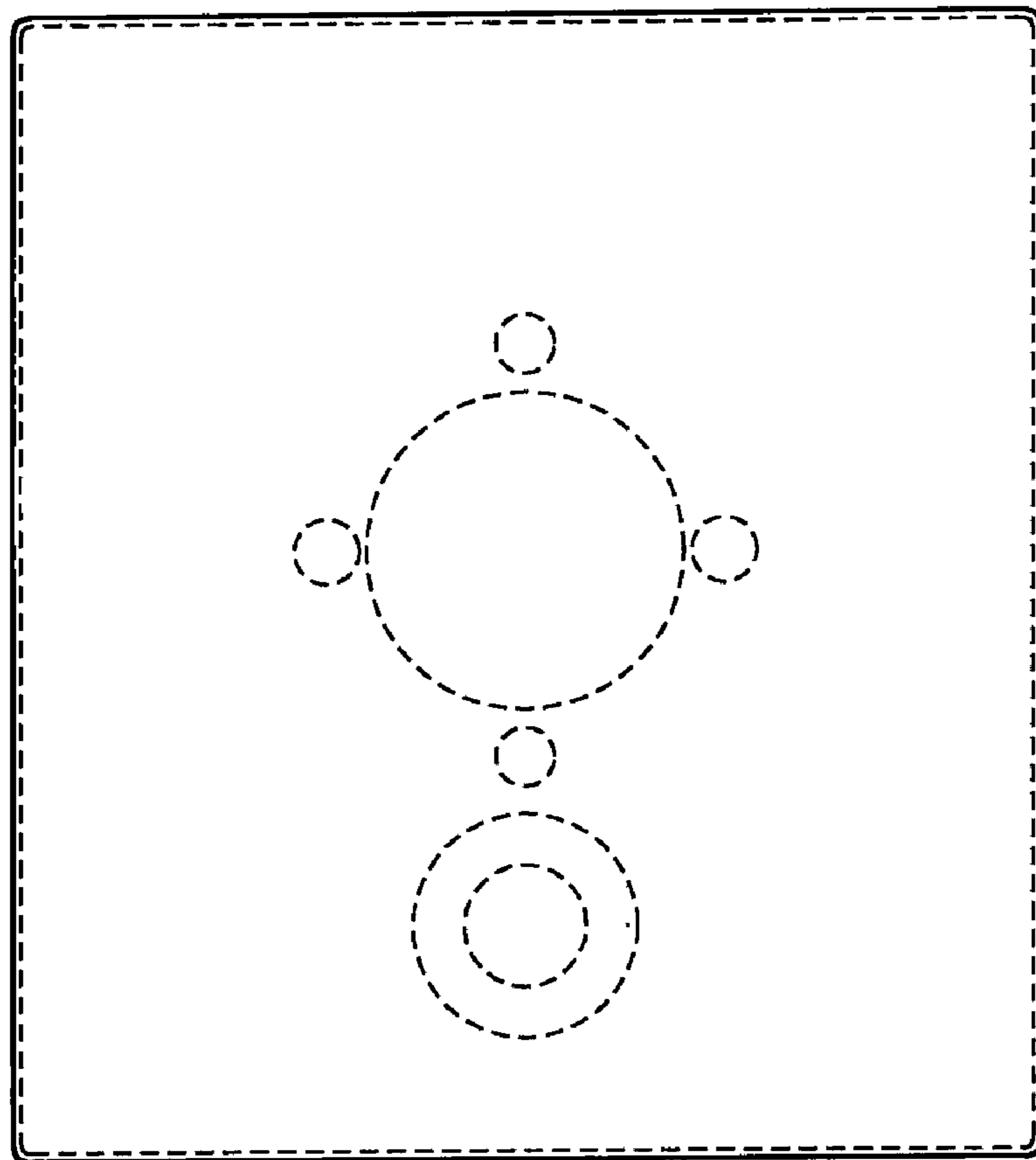
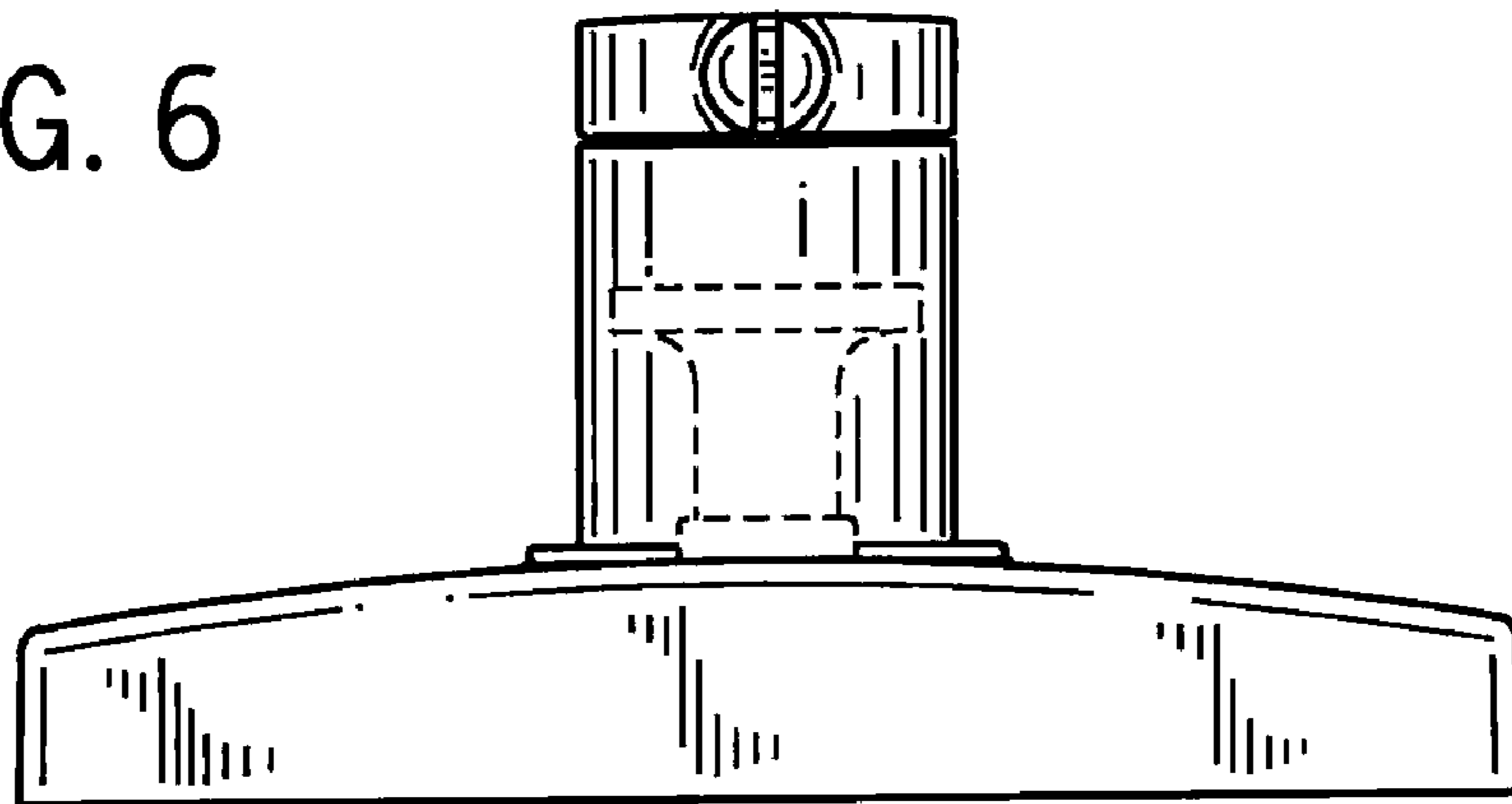


FIG. 7

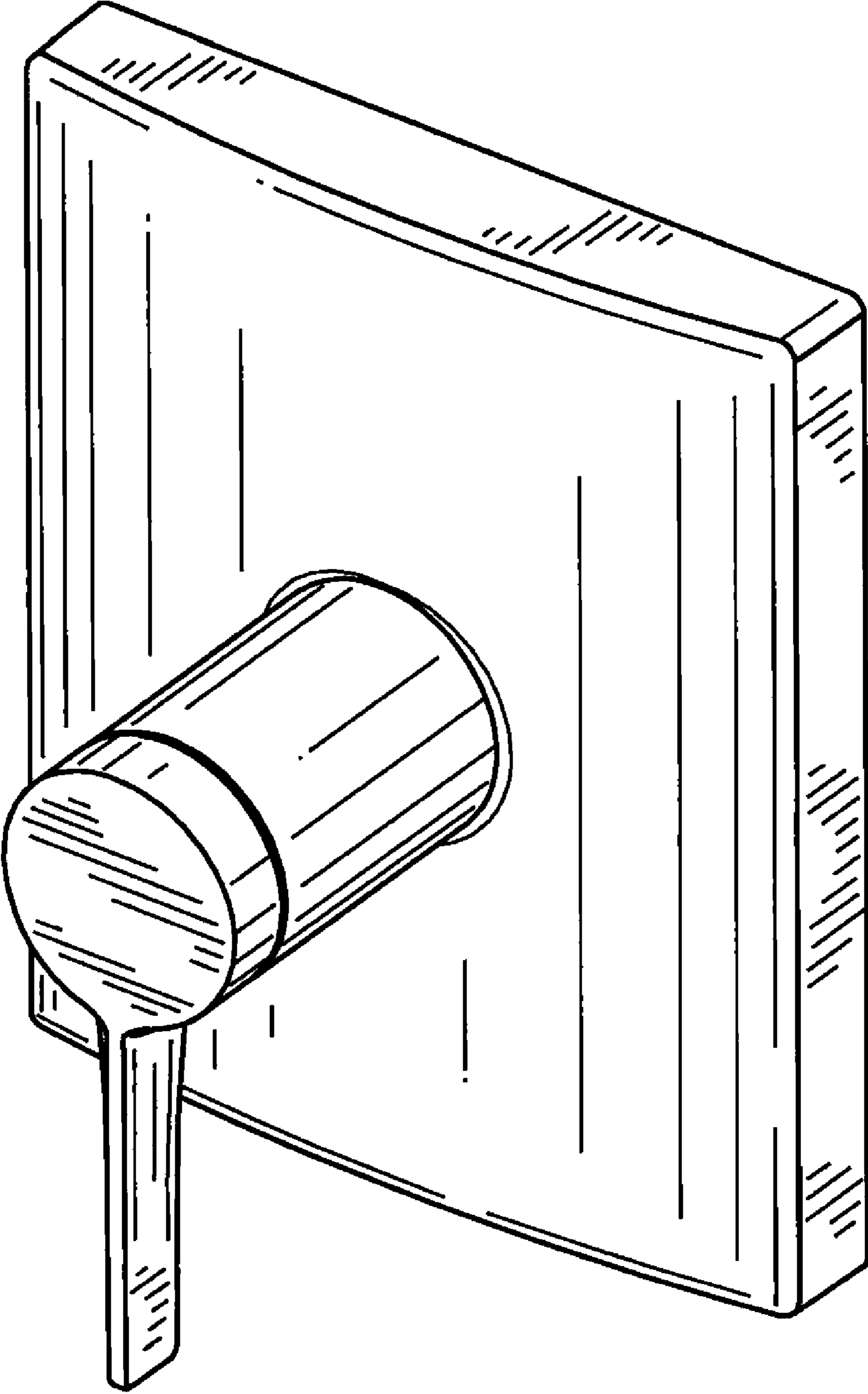


FIG. 8

FIG. 9

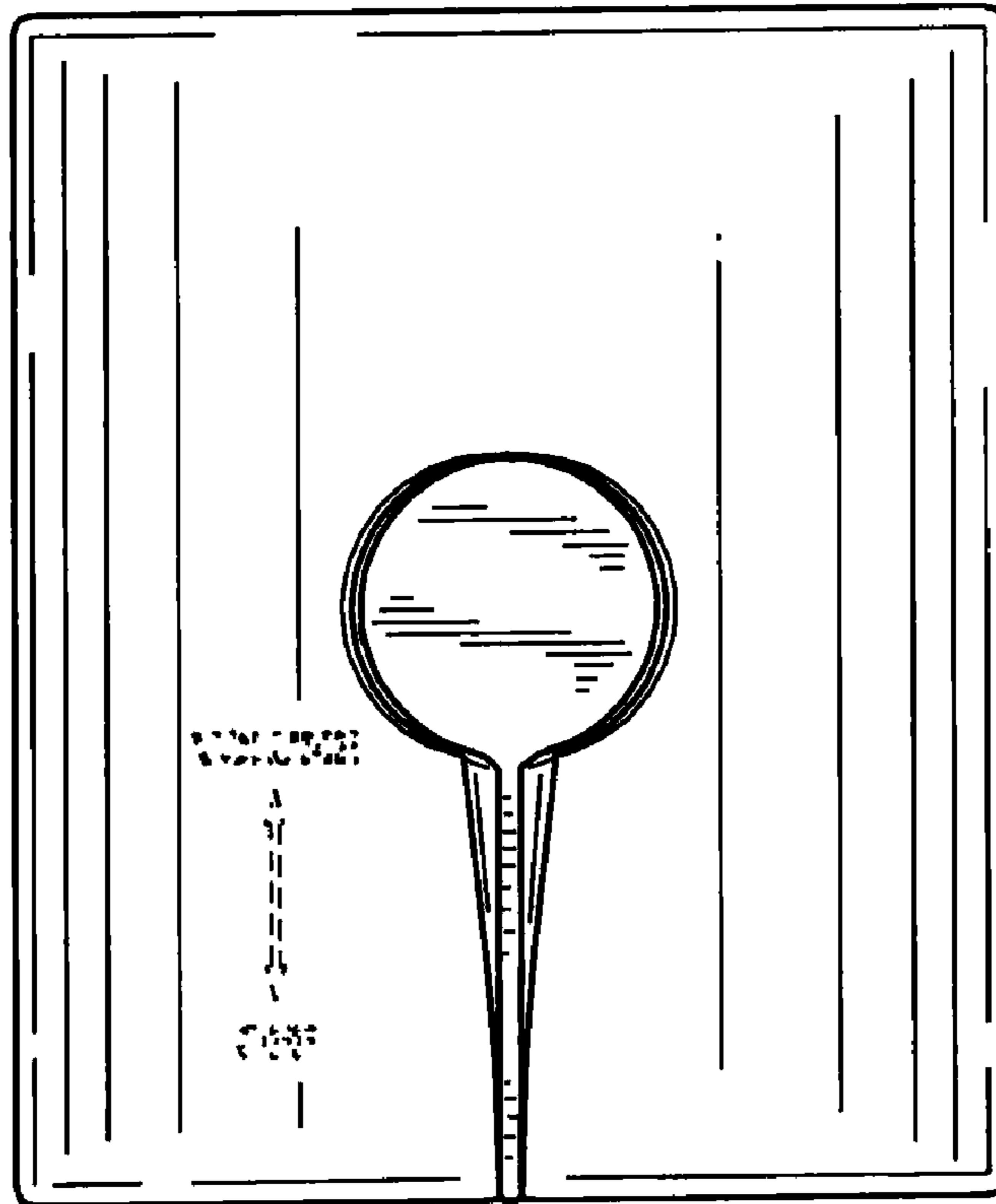


FIG. 10

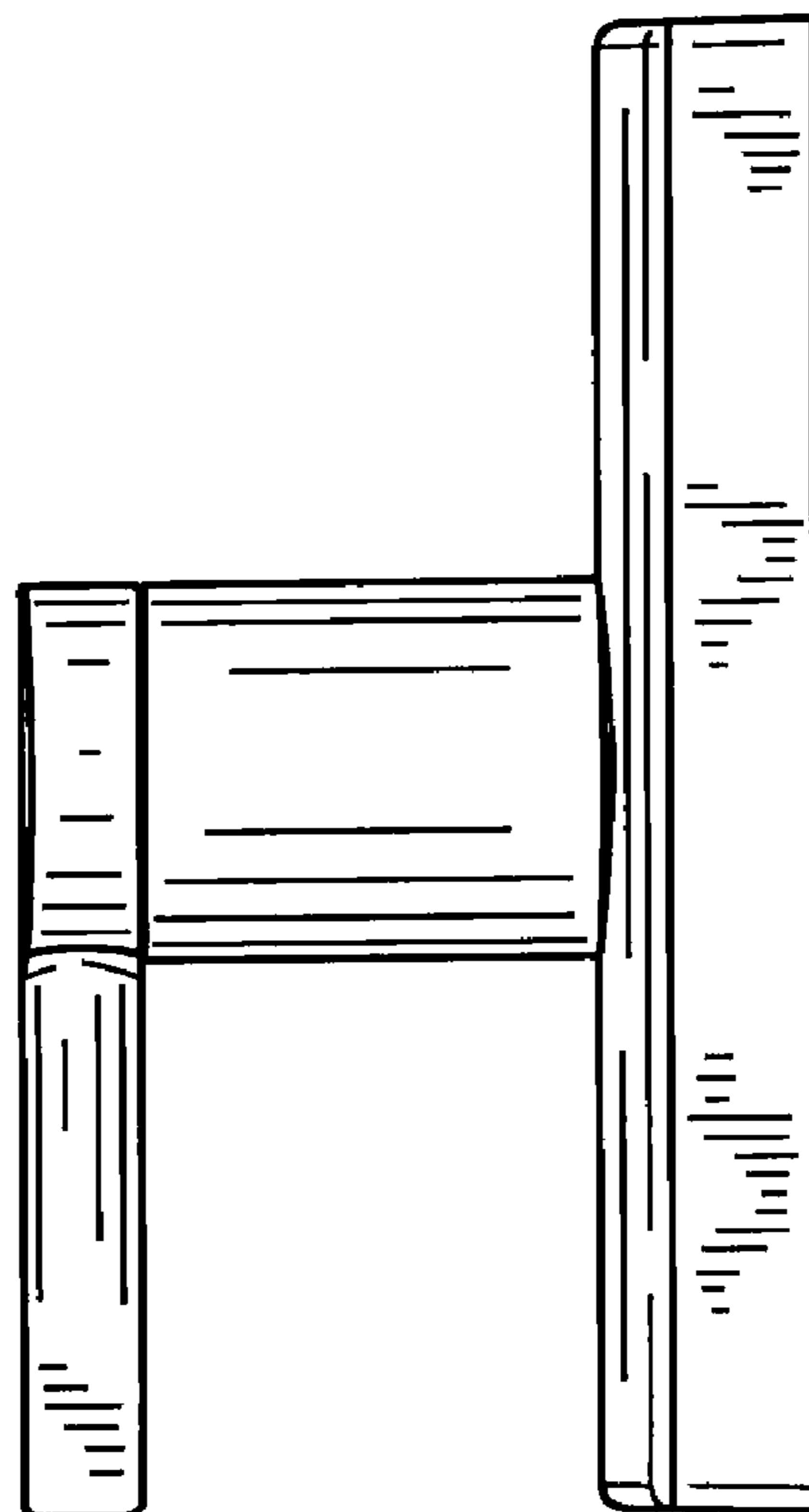




FIG. 11

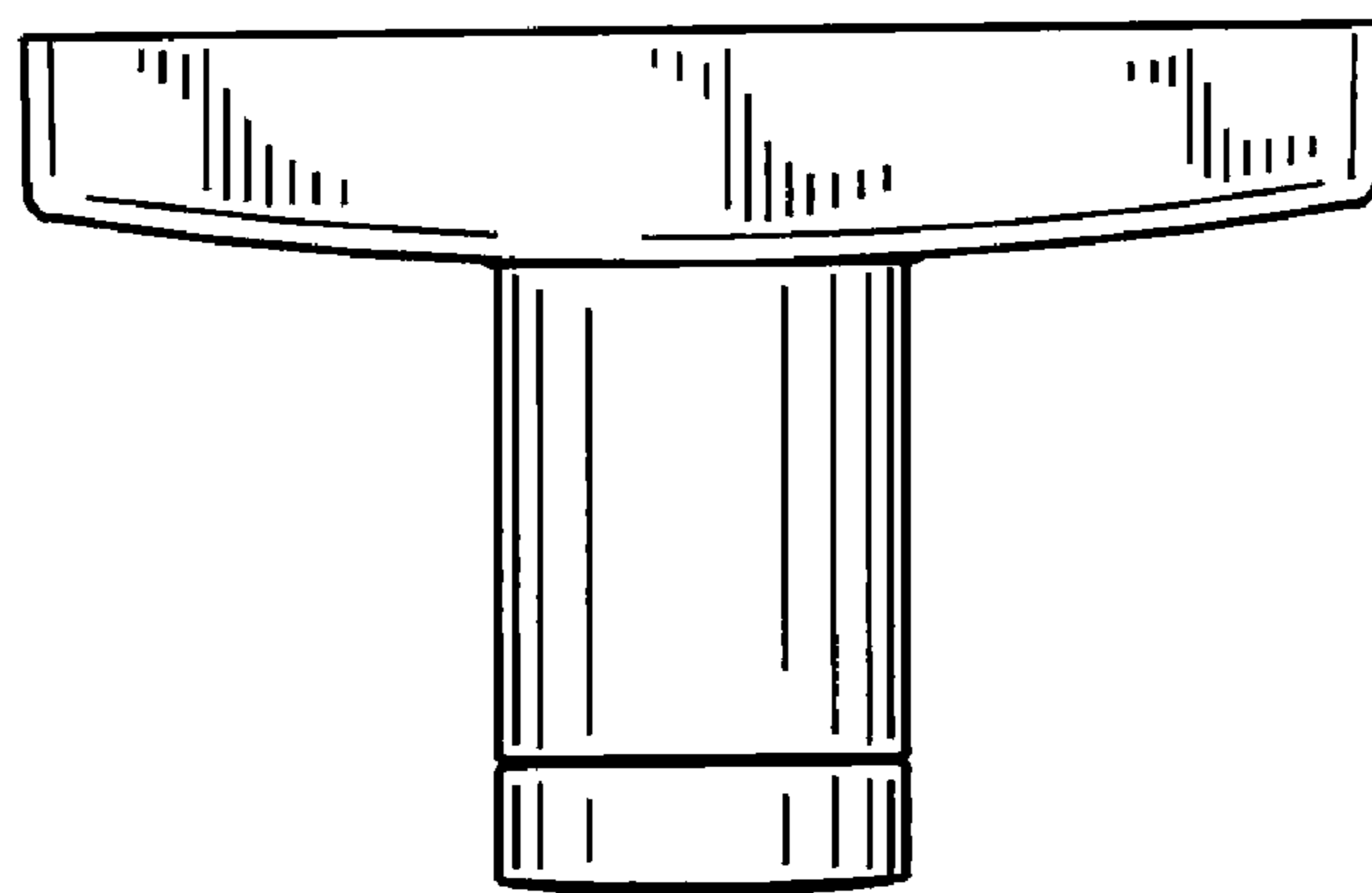


FIG. 12



FIG. 13

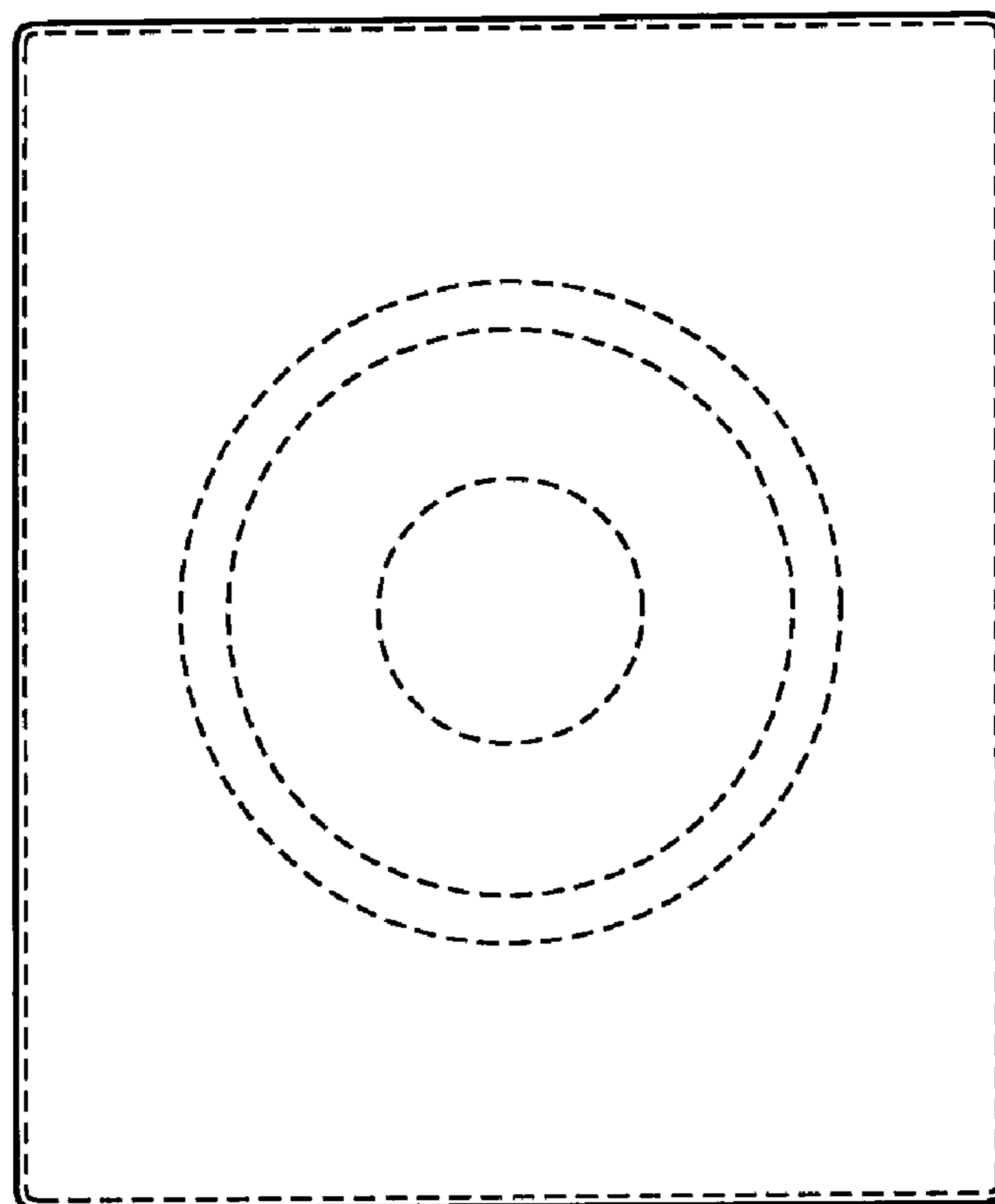
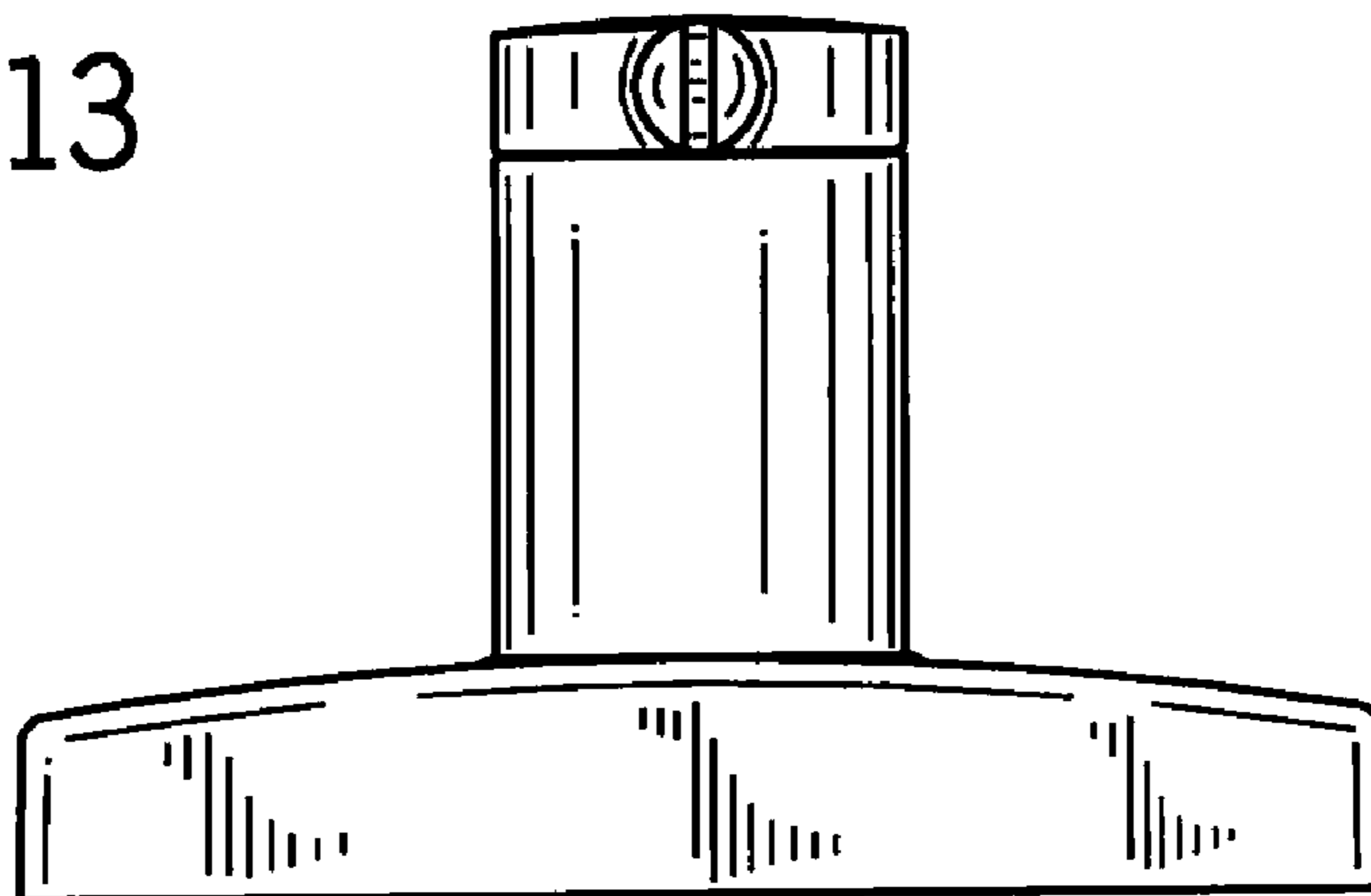


FIG. 14