



US00D627860S

(12) **United States Design Patent**  
**Sedwick**

(10) **Patent No.:** **US D627,860 S**

(45) **Date of Patent:** **\*\* Nov. 23, 2010**

(54) **LEVER**

(75) Inventor: **Jennifer P. Sedwick**, Lakewood, OH (US)

(73) Assignee: **Moen Incorporated**, North Olmsted, OH (US)

(\*\*) Term: **14 Years**

(21) Appl. No.: **29/355,445**

(22) Filed: **Feb. 8, 2010**

(51) **LOC (9) Cl.** ..... **23-01**

(52) **U.S. Cl.** ..... **D23/252**

(58) **Field of Classification Search** ..... D23/238–243,  
D23/250, 252, 254; 4/676–677; D8/350–353,  
D8/308; 137/350–353

See application file for complete search history.

(56) **References Cited**

**U.S. PATENT DOCUMENTS**

D290,740 S	7/1987	Yost	
D364,217 S	* 11/1995	Dubin	..... D23/252
D391,337 S	2/1998	Hill et al.	
D391,351 S	2/1998	Ko	
D420,105 S	* 2/2000	Ko	..... D23/252
D445,168 S	7/2001	Czerwinski, Jr.	
D445,877 S	7/2001	Paredes	
D463,010 S	9/2002	Ouyoung	
D475,125 S	5/2003	Marinov	
D475,767 S	6/2003	Yegyayan et al.	
D476,398 S	6/2003	Ouyoung	
D490,502 S	5/2004	Ouyoung	
D503,967 S	4/2005	Otero	
D513,527 S	1/2006	Ouyoung	
D516,675 S	3/2006	Kakahana	
D520,604 S	5/2006	Fritz	

D522,100 S	5/2006	Fritz	
D523,121 S	6/2006	Schaffeld et al.	
D527,803 S	9/2006	Chu et al.	
D527,804 S	9/2006	Chu et al.	
D527,805 S	9/2006	Chu et al.	
D527,806 S	9/2006	Chu et al.	
D535,362 S	1/2007	Chu et al.	
D578,616 S	10/2008	Fritz et al.	
D582,522 S	12/2008	Hanna	
D583,017 S	12/2008	Hanna et al.	
D585,720 S	2/2009	Singtoroj et al.	
D591,834 S	* 5/2009	Williams	..... D23/252
D594,935 S	6/2009	Schoenherr et al.	
D596,712 S	7/2009	Schoenherr et al.	

\* cited by examiner

*Primary Examiner*—Robert A Delehanty

(74) *Attorney, Agent, or Firm*—Calfee, Halter & Griswold LLP

(57) **CLAIM**

The ornamental design for a lever, as shown and described.

**DESCRIPTION**

FIG. 1 is a perspective view of a lever of the new design;

FIG. 2 is a front elevational view of the lever of FIG. 1;

FIG. 3 is a rear elevational view of the lever of FIG. 1;

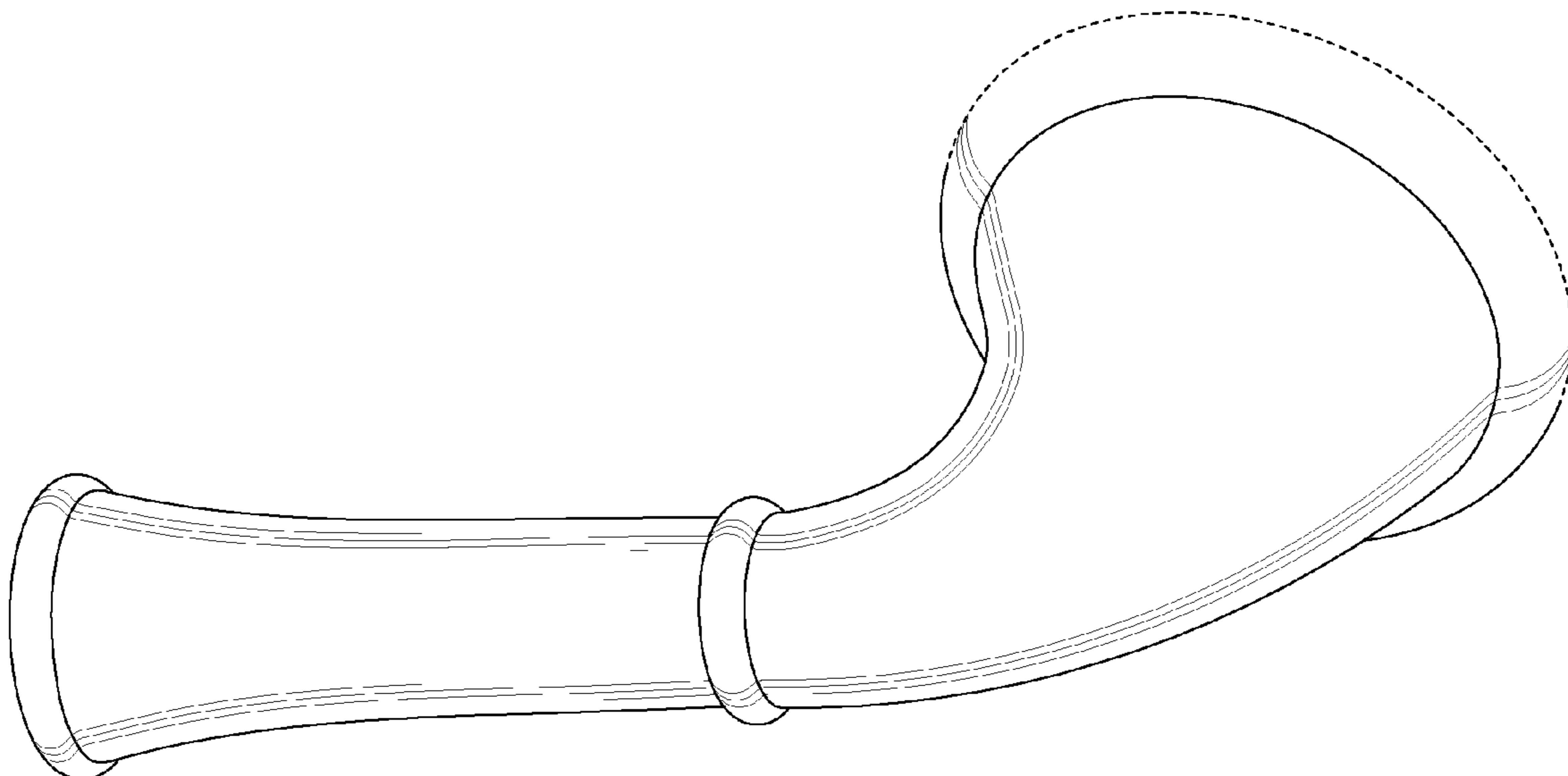
FIG. 4 is a left side elevational view of the lever of FIG. 1;

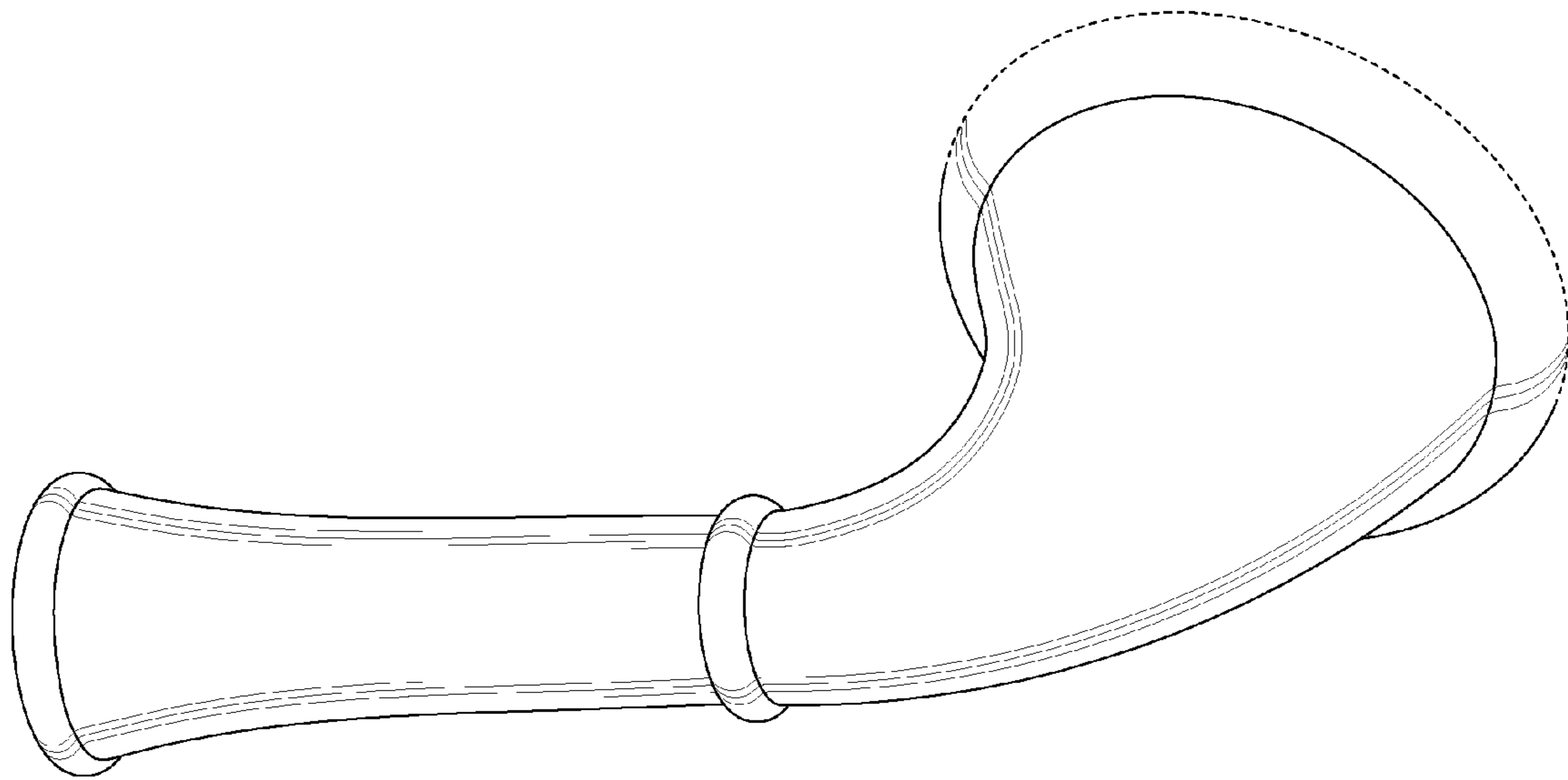
FIG. 5 is a right side elevational view of the lever of FIG. 1; and,

FIG. 6 is a top plan view of the lever of FIG. 1, the bottom plan view being a mirror image thereof.

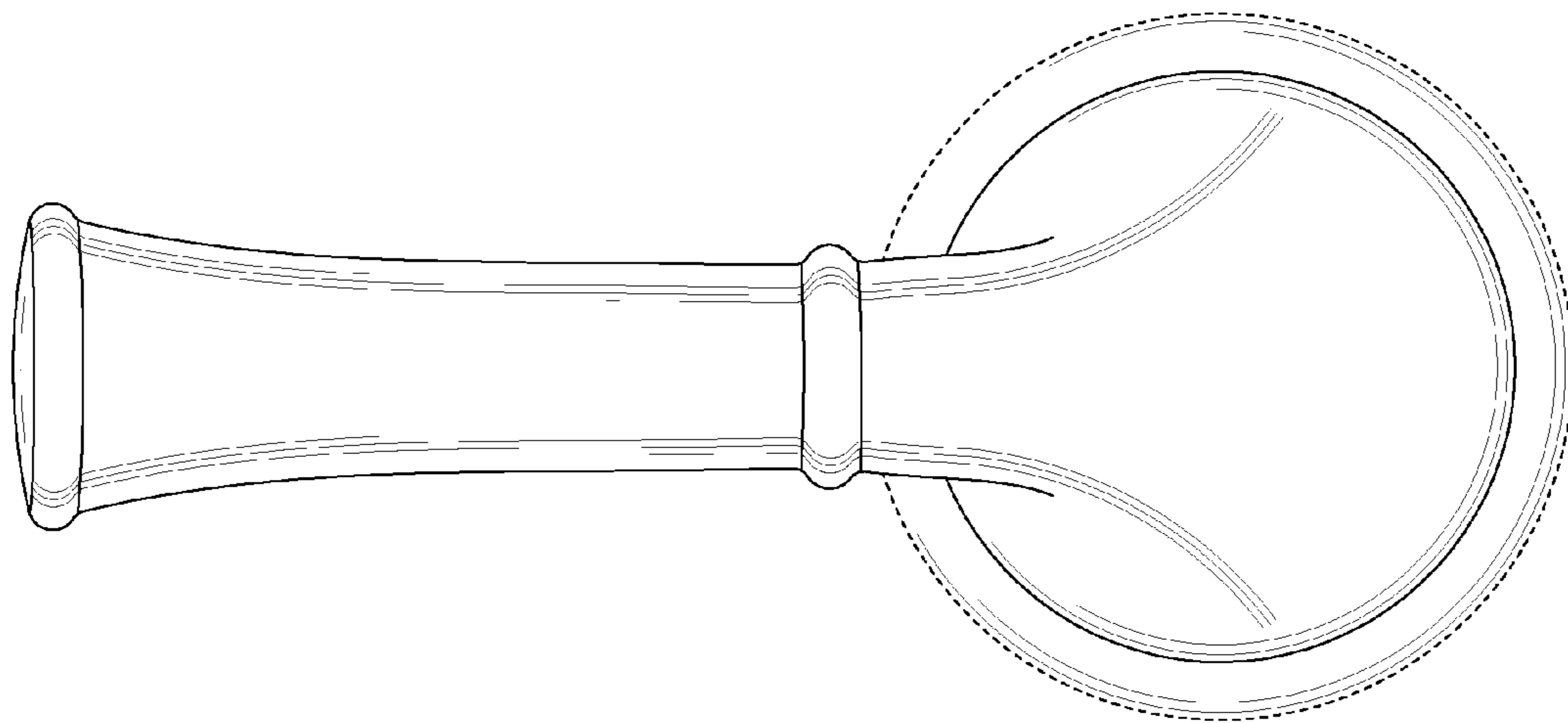
The portions of the Figures shown in broken lines are not part of the claimed design and are for illustration only.

**1 Claim, 3 Drawing Sheets**

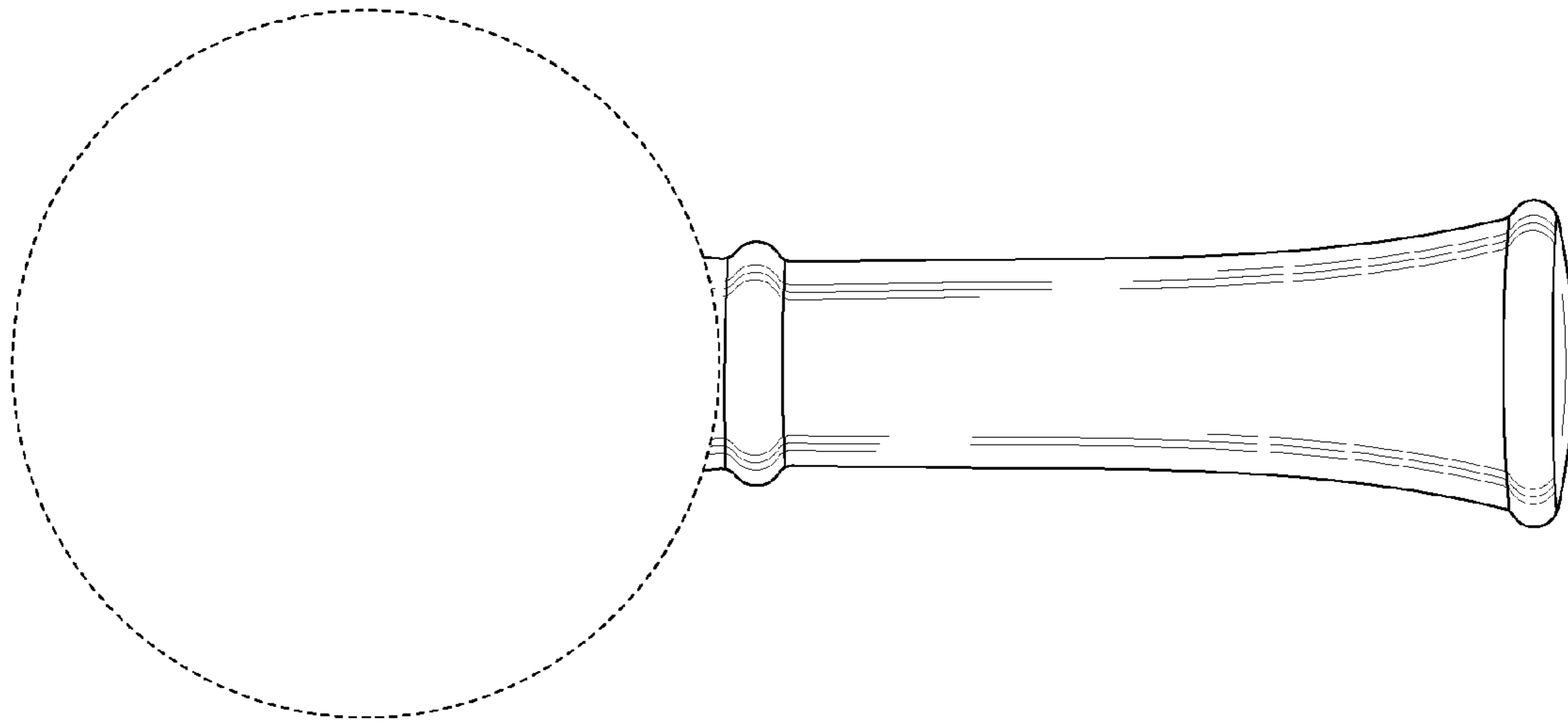




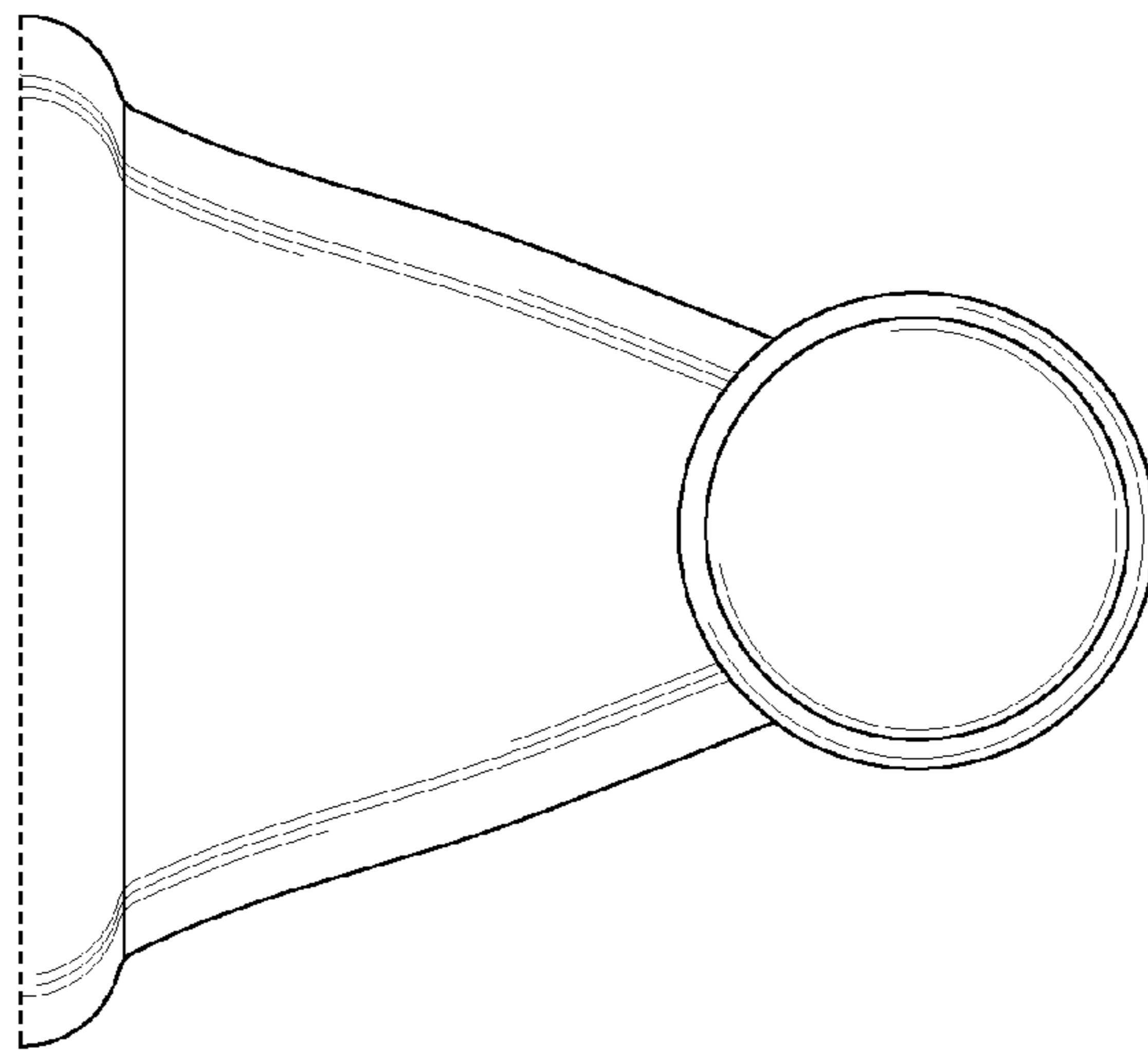
**FIG. 1**



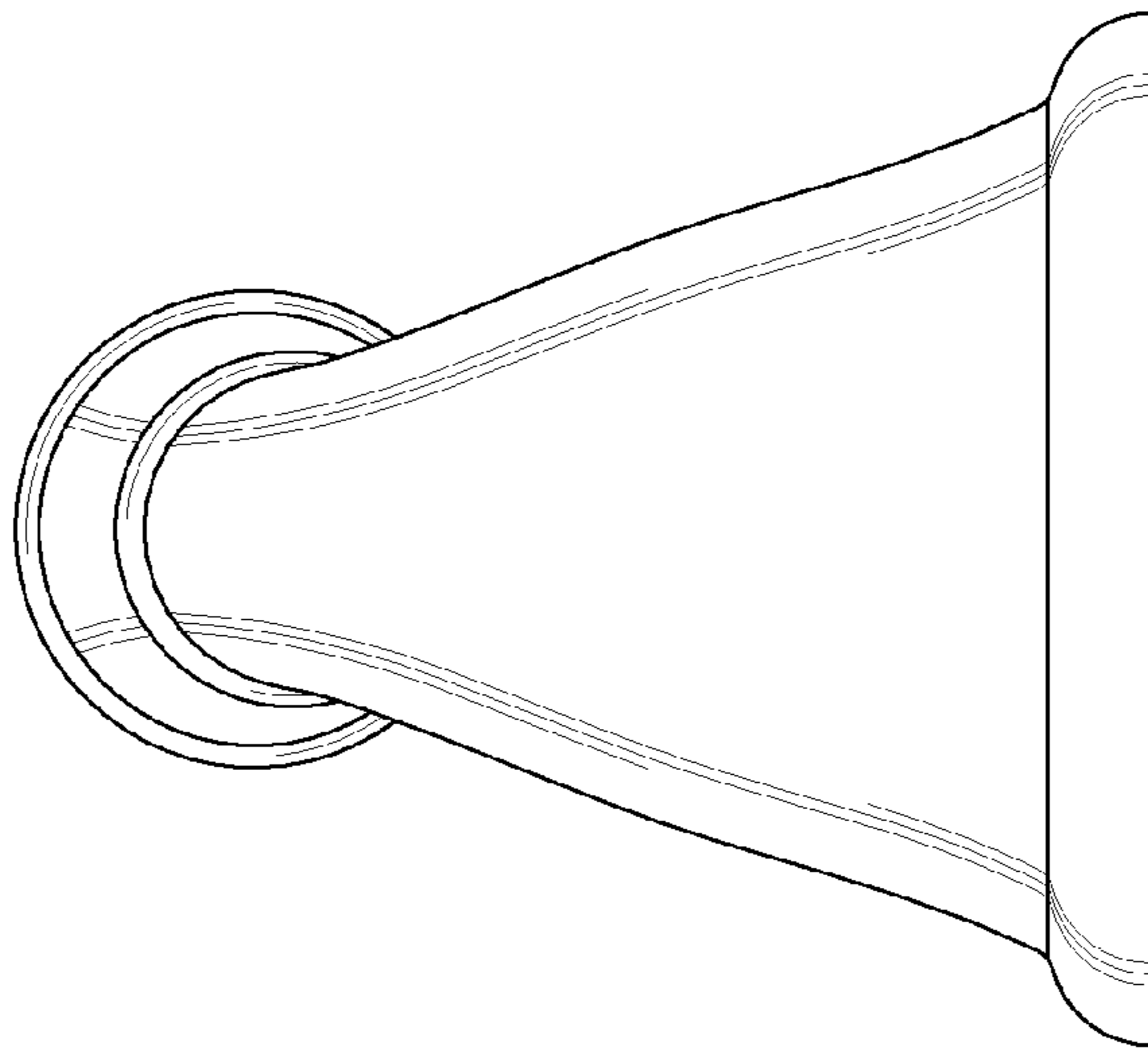
**FIG. 2**



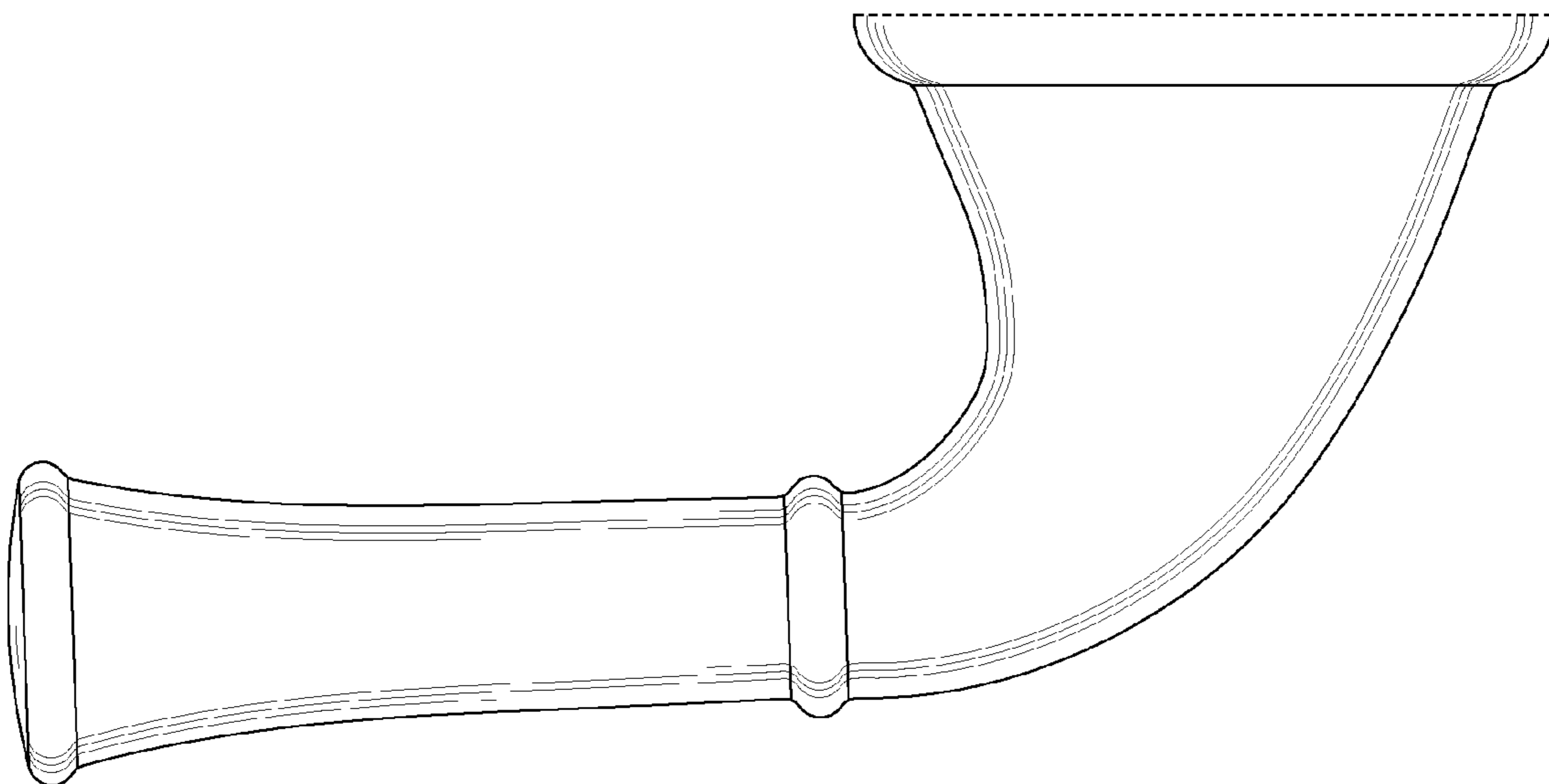
**FIG. 3**



**FIG. 4**



**FIG. 5**



**FIG. 6**