



US00D627857S

(12) **United States Design Patent**
Eilmus

(10) **Patent No.:** **US D627,857 S**
(45) **Date of Patent:** **** Nov. 23, 2010**

(54) **PLUMBING FITTING**

(75) Inventor: **Niels J. Eilmus**, Sheboygan, WI (US)

(73) Assignee: **Kohler Co.**, Kohler, WI (US)

(**) Term: **14 Years**

(21) Appl. No.: **29/365,957**

(22) Filed: **Jul. 16, 2010**

Related U.S. Application Data

(62) Division of application No. 29/324,345, filed on Sep. 10, 2008, now Pat. No. Des. 620,557.

(51) **LOC (9) Cl.** **23-01**

(52) **U.S. Cl.** **D23/238**

(58) **Field of Classification Search** D23/200,
D23/238-257; D6/512, 546, 550; D8/300,
D8/307-308, 310-312, 321; 4/675-678;
137/801; 16/110.1, 441

See application file for complete search history.

(56) **References Cited**

U.S. PATENT DOCUMENTS

1,838,290 A 12/1931 Steckel

(Continued)

FOREIGN PATENT DOCUMENTS

CH 000296918-0006 4/2005

OTHER PUBLICATIONS

U.S. Appl. No. 29/305,208, filed Mar. 14, 2008, Eilmus.

(Continued)

Primary Examiner—T. Chase Nelson

Assistant Examiner—Mark Cavanna

(74) *Attorney, Agent, or Firm*—Quarles & Brady LLP

(57) **CLAIM**

The ornamental design for a plumbing fitting, as shown and described.

DESCRIPTION

FIG. 1 is a right, top, front perspective view of a plumbing fitting according to another embodiment of my new design shown in one of many extended positions;

FIG. 2 is a front elevational view thereof;

FIG. 3 is a rear elevational view thereof;

FIG. 4 is a right side elevational view thereof;

FIG. 5 is a left side elevational view thereof;

FIG. 6 is a top plan view thereof;

FIG. 7 is a bottom plan view thereof;

FIG. 8 is a left, top, front perspective view of a plumbing fitting according to another embodiment of my new design, the front, rear, right side and left side elevational views thereof in the corresponding extending position being mirror images of the views shown in respective FIGS. 2-5 and the top and bottom plan views thereof in the corresponding extended position being mirror images of the views shown in respective FIGS. 6 and 7;

FIG. 9 is a right, top, front perspective view of the plumbing fitting of FIG. 1 shown in a retracted position;

FIG. 10 is a front elevational view thereof;

FIG. 11 is a rear elevational view thereof;

FIG. 12 is a right side elevational view thereof;

FIG. 13 is a left side elevational view thereof;

FIG. 14 is a top plan view thereof;

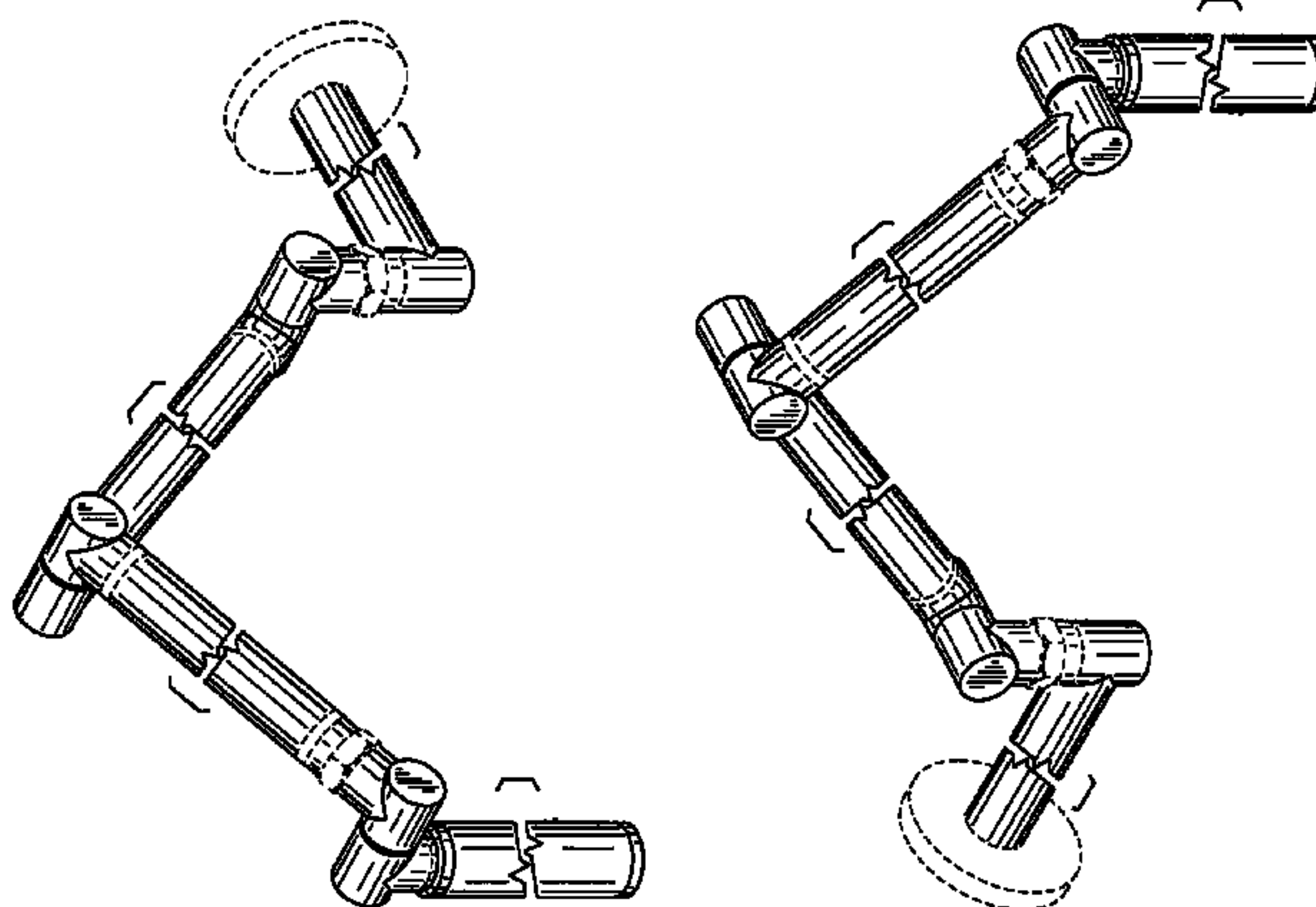
FIG. 15 is a bottom plan view thereof; and,

FIG. 16 is a left, top, front perspective view of the plumbing fitting of FIG. 8 shown in a retracted position. The front, rear, right side and left side elevational views thereof in the corresponding retracted position being mirror images of the views shown in respective FIGS. 10-13 and the top and bottom plan views thereof in the corresponding retracted position being mirror images of the views shown in respective FIGS. 14 and 15.

In a preferred embodiment, the nature of this product is as a plumbing fitting in the form of an articulating faucet having movable components and used to wash various items and/or body parts.

The broken lines showing of are included for the purpose of illustrating unclaimed portions of the plumbing fitting that form no part of the claimed design.

1 Claim, 10 Drawing Sheets



U.S. PATENT DOCUMENTS

D464,711 S	10/2002	Washawsky	
D492,393 S	6/2004	Herring et al.	
D497,197 S *	10/2004	Warshawsky	D23/243
D497,410 S *	10/2004	Warshawsky	D23/241
D497,411 S *	10/2004	Warshawsky	D23/241
D508,551 S *	8/2005	Warshawsky	D23/241
D508,552 S *	8/2005	Warshawsky	D23/241
D527,796 S *	9/2006	Lammel	D23/239
D534,992 S	1/2007	Lobermeier et al.	
D535,356 S	1/2007	Kuran et al.	
D540,435 S	4/2007	Wilcox et al.	
D551,324 S	9/2007	Wilcox et al.	
D560,762 S	1/2008	Eckhaus	
D562,947 S	2/2008	Zhang	
D576,705 S	9/2008	McKeone	
D579,080 S	10/2008	Zhang	
D585,111 S	1/2009	Eilmus	
D589,121 S	3/2009	McKeone	
D599,893 S	9/2009	Sieger	
D606,173 S	12/2009	Sieger	
D614,733 S *	4/2010	Pan	D23/238
D619,220 S *	7/2010	Semchuck et al.	D23/238

OTHER PUBLICATIONS

U.S. Appl. No. 29/279,839, filed May 8, 2007, Mueller et al.
 U.S. Appl. No. 29/279,818, filed May 8, 2007, Mueller et al.

U.S. Appl. No. 29/321,521, filed May 8, 2007, McKeone.
 Notice of Allowance, dated Mar. 24, 2010 for corresponding U.S. Appl. No. 29/324,345, filed Sep. 10, 2008.
 Danze. "Pot Filler Kitchen Faucet". Faucet.com online catalog. Copyright 1994-2007 Faucet.com.
 Kohler Co. "Margaux single-control lavatory faucet". Model No. K-16230-4. kohler Co. online catalog. Coypright 2007 Kohler Co.
 Kohler Co. "Fountrainhead integral laminar faucet". Model No. K-2443-4. kohler Co. online catalog. Coypright 2007 Kohler Co.
 Danze. "Deck Mount Pot Filler—Parma Collection". PlumbingSupply.com online catalog. Copyright 1995-2008 PlumbingSupply.com.
 Elements of Design. NuVo Pot Filler Faucets. PlumbingSupply.com online catalog. Copyright 1995-2008 PlumbingSupply.com.
 Danze. "QualityWall Mount Pot Filler Faucets—Melrose Collection". PlumbingSupply.com online catalog. Copyright 1995-2008 PlumbingSupply.com.
 Cucina. "Porto Pot Filler Faucets". PlumbingSupply.com online catalog. Copyright 1995-2008 PlumbingSupply.com.
 Blanco. "Wall-Mounted Pot Filler". Model No. 157-065-CR—chrome or 157-065-ST—stainless steel. PlumbingSupply.com online catalog. Copyright since 1995 PlumbingSupply.com.

* cited by examiner

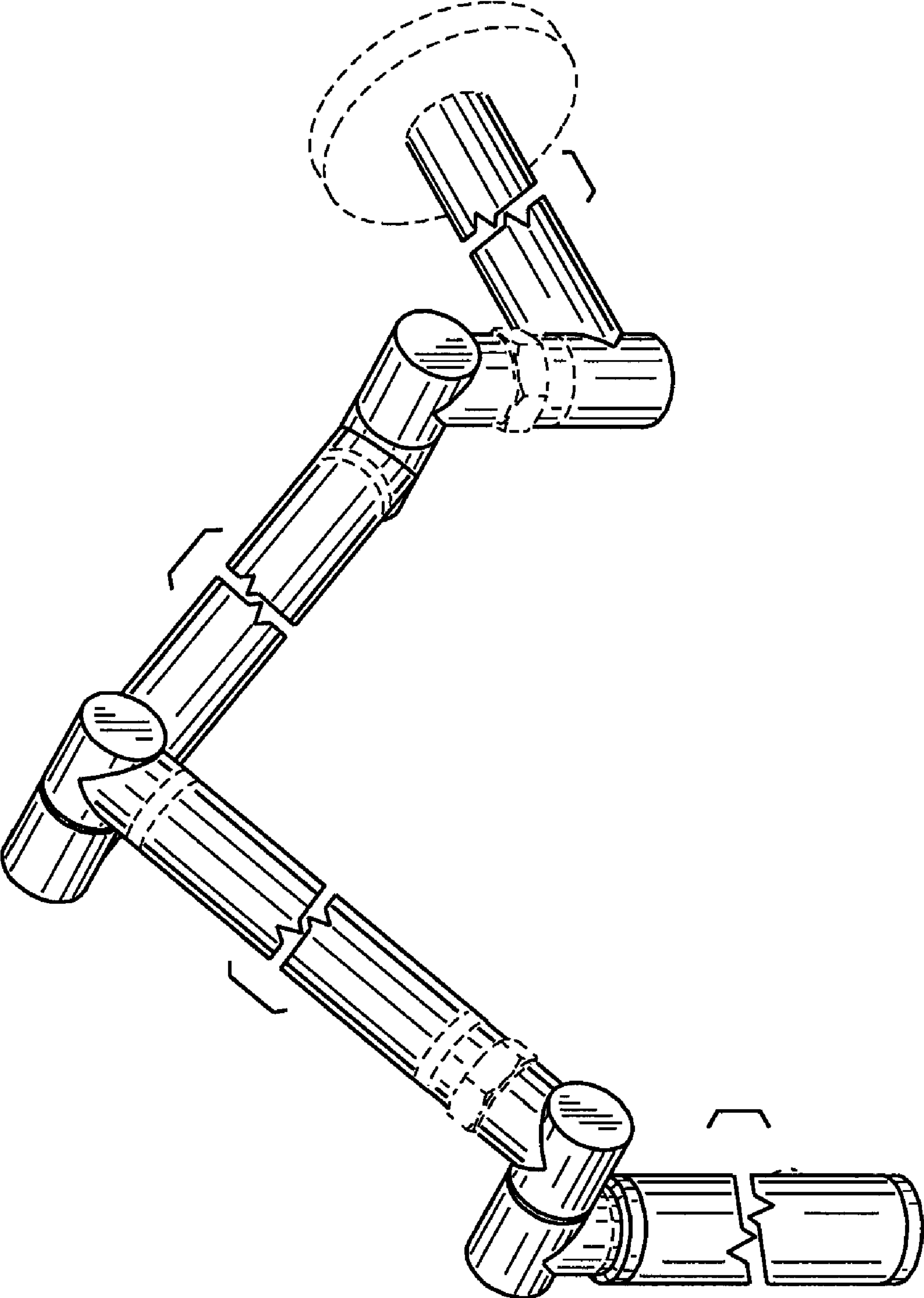


FIG. 1

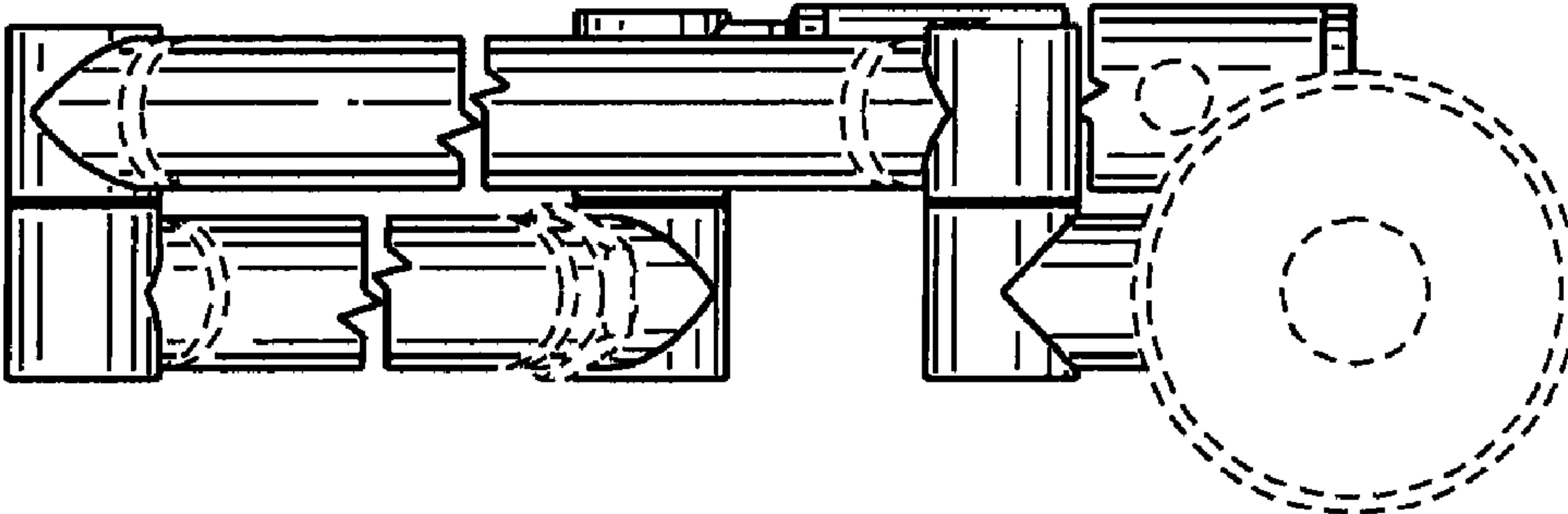


FIG. 3

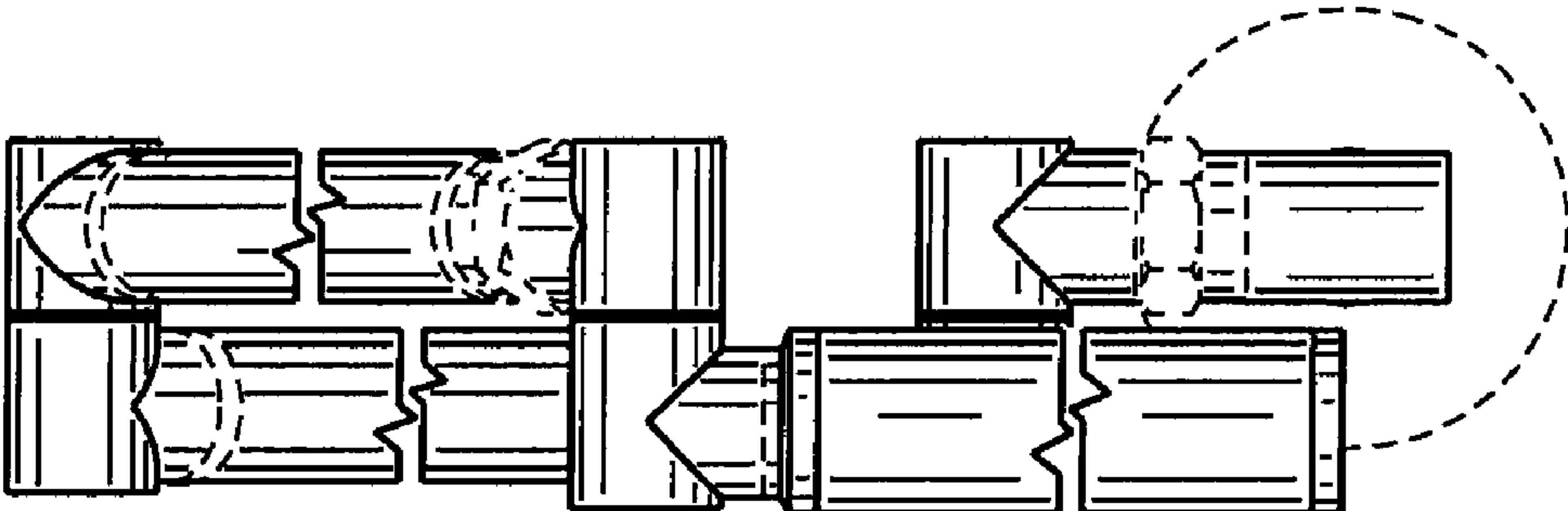


FIG. 2

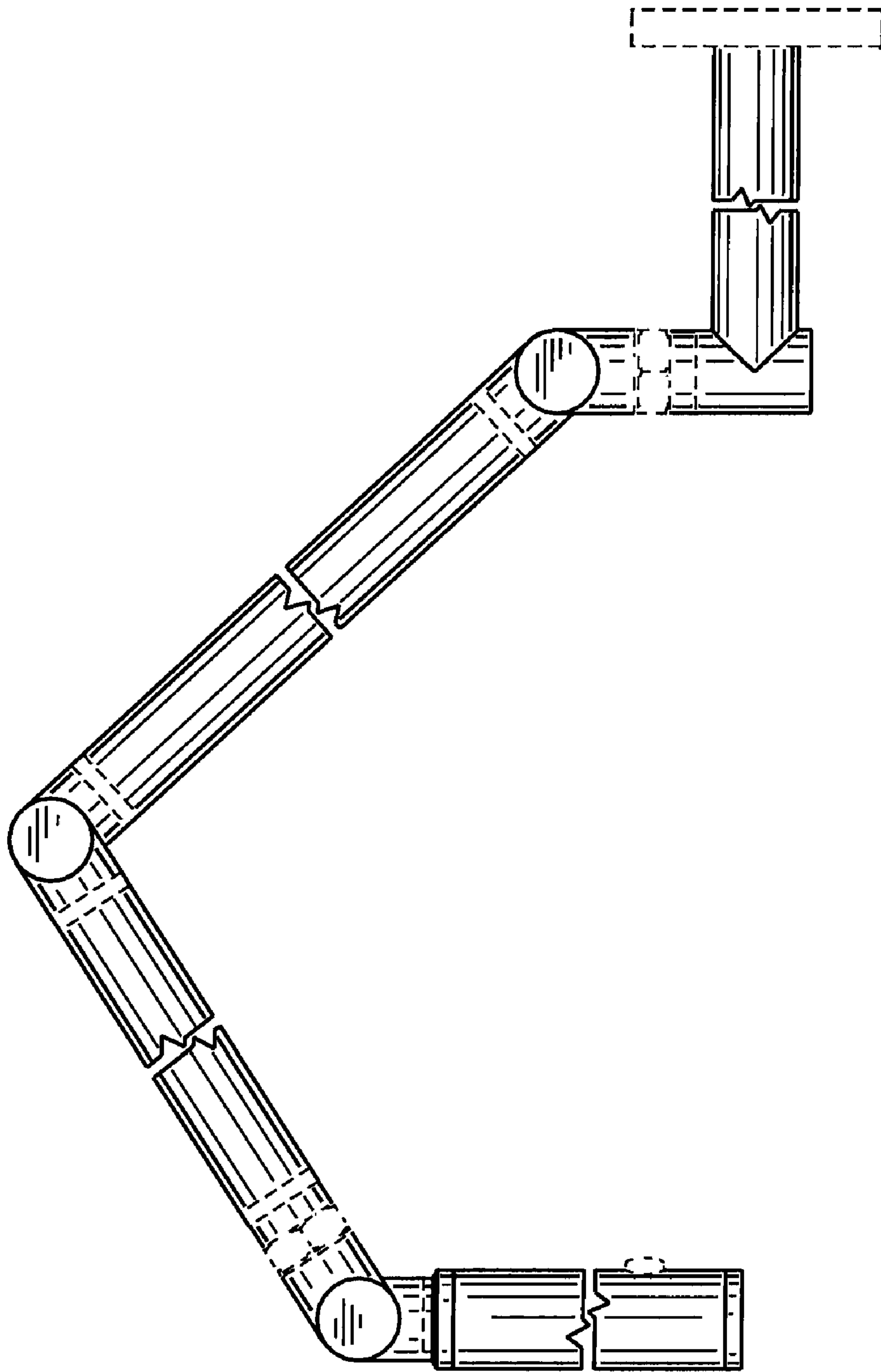


FIG. 4

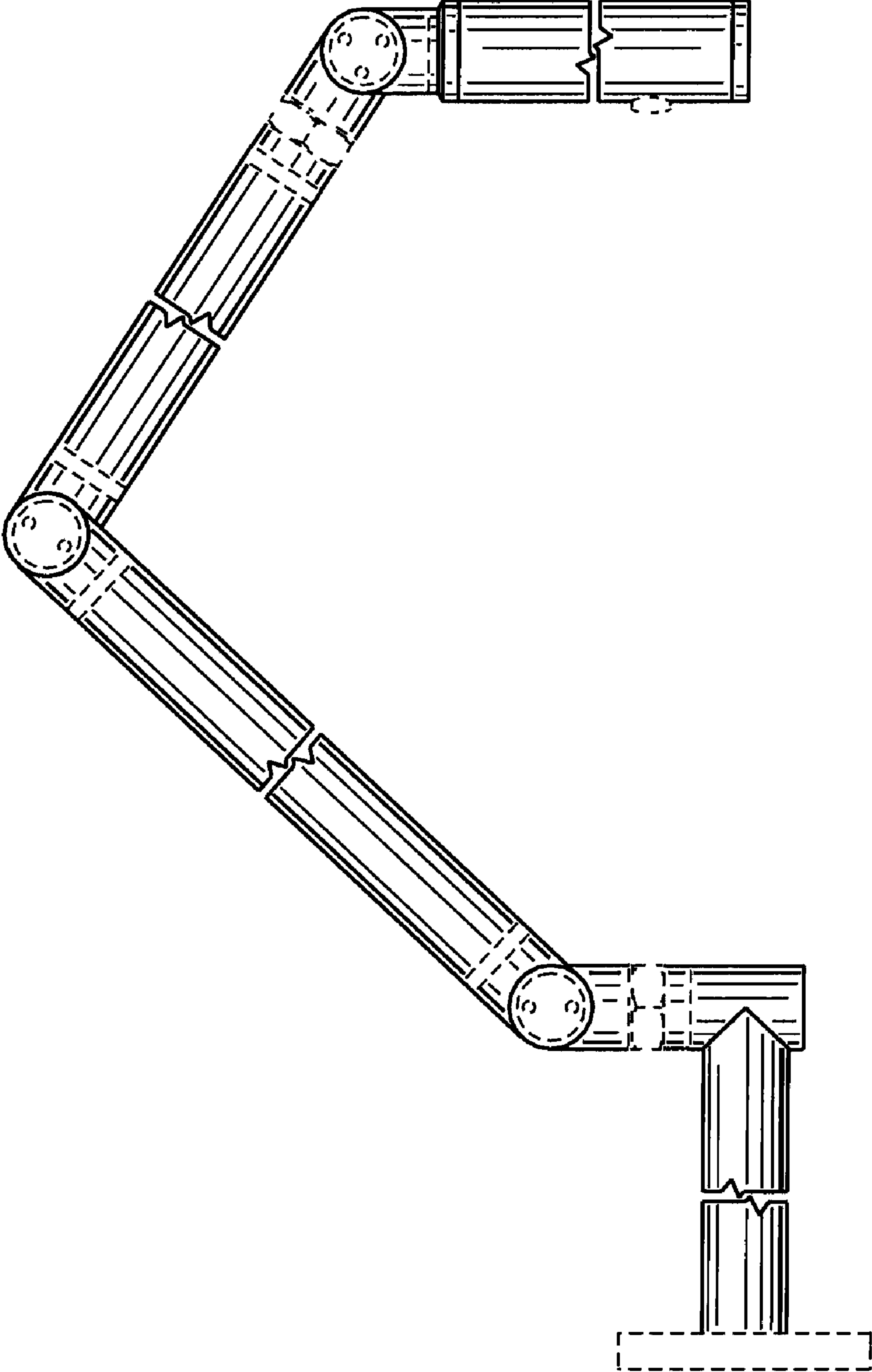


FIG. 5

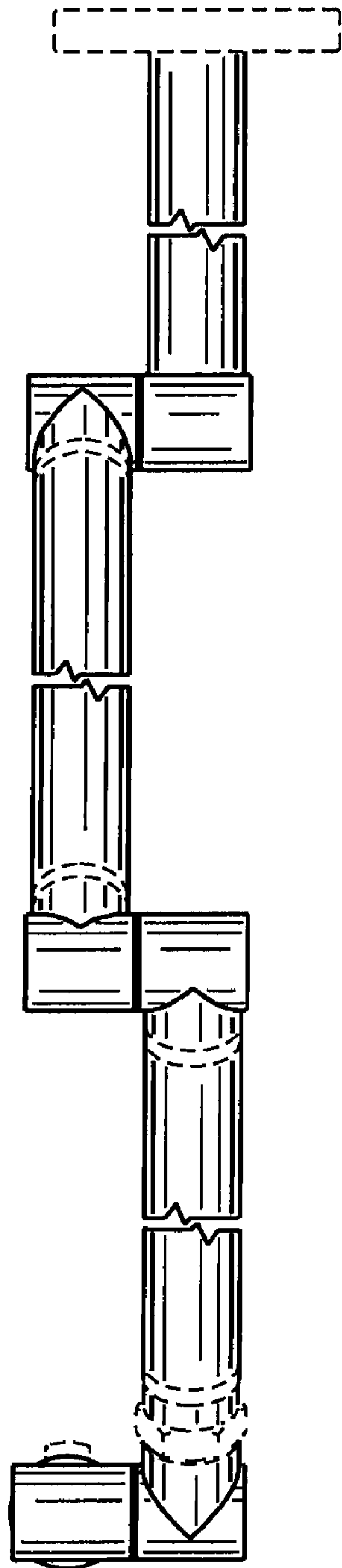


FIG. 6

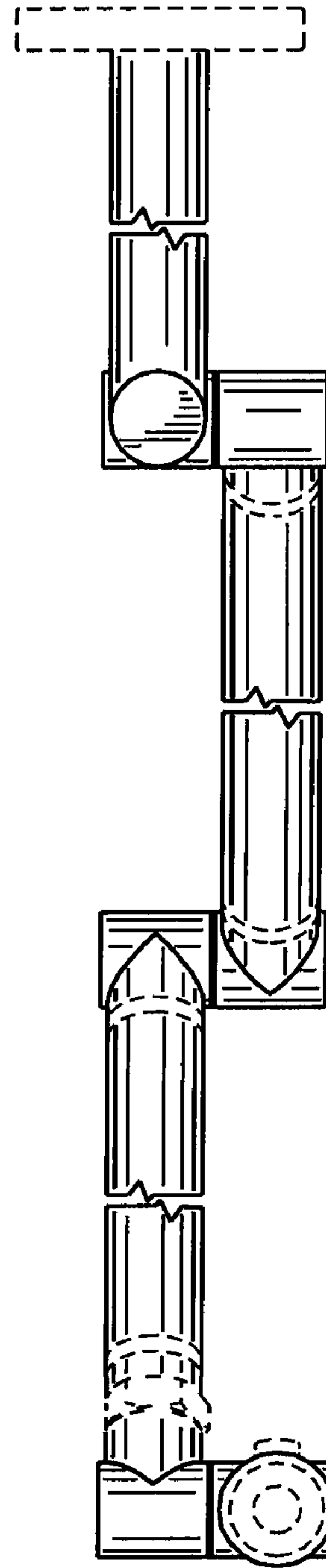


FIG. 7

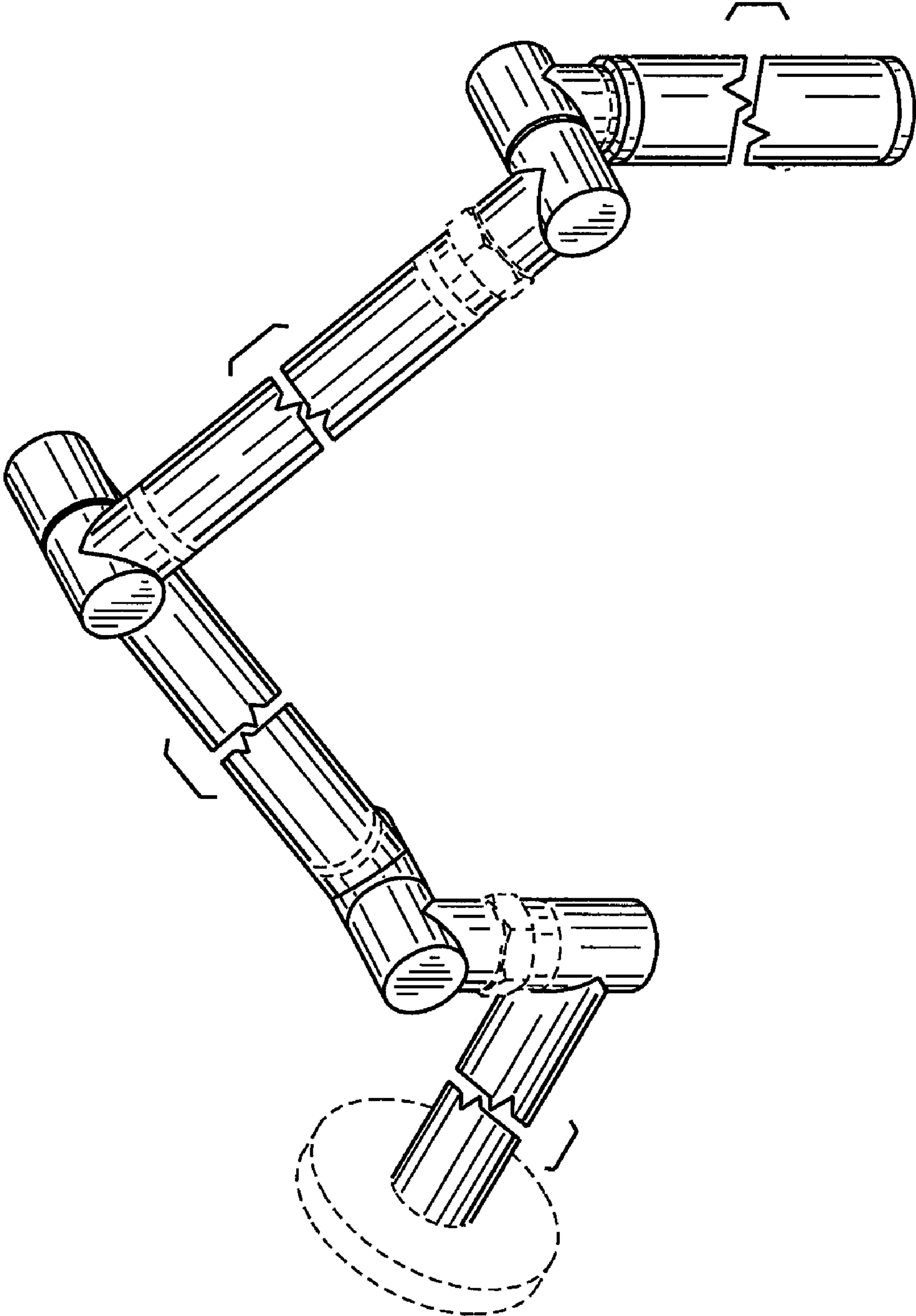


FIG. 8

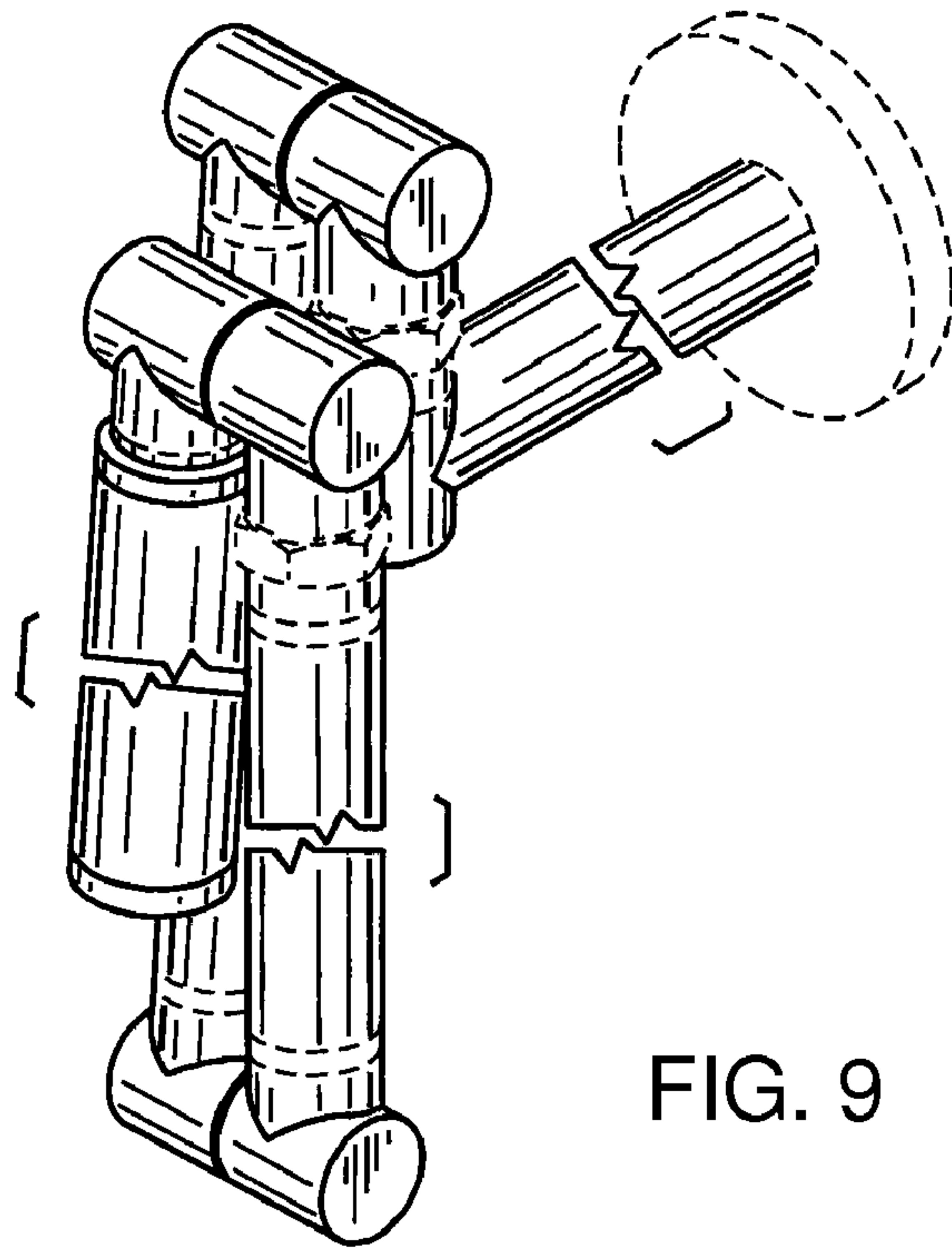


FIG. 9

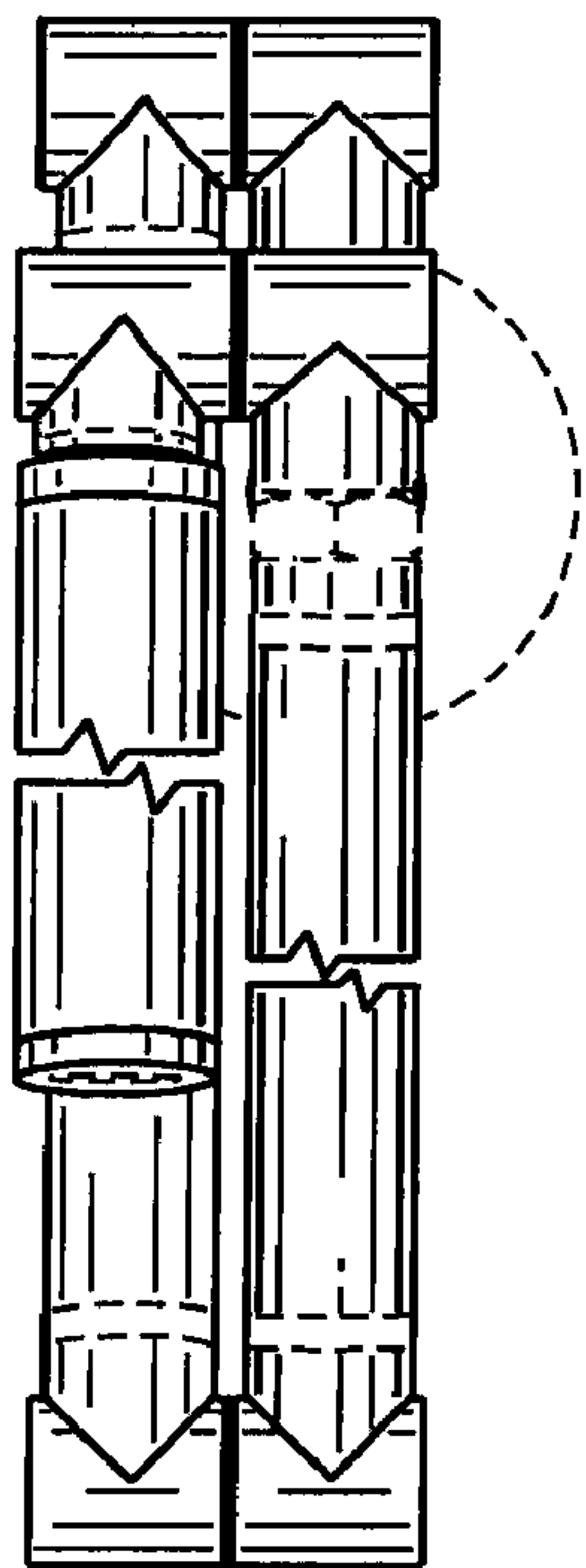


FIG. 10

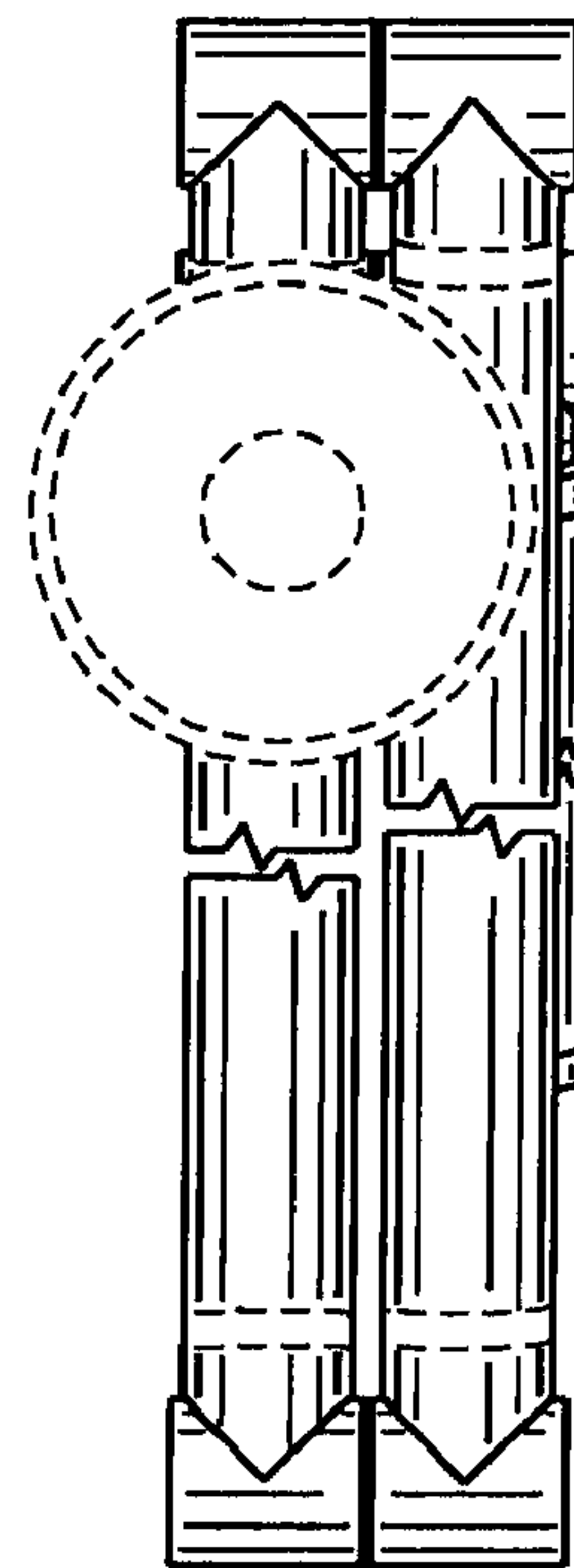


FIG. 11

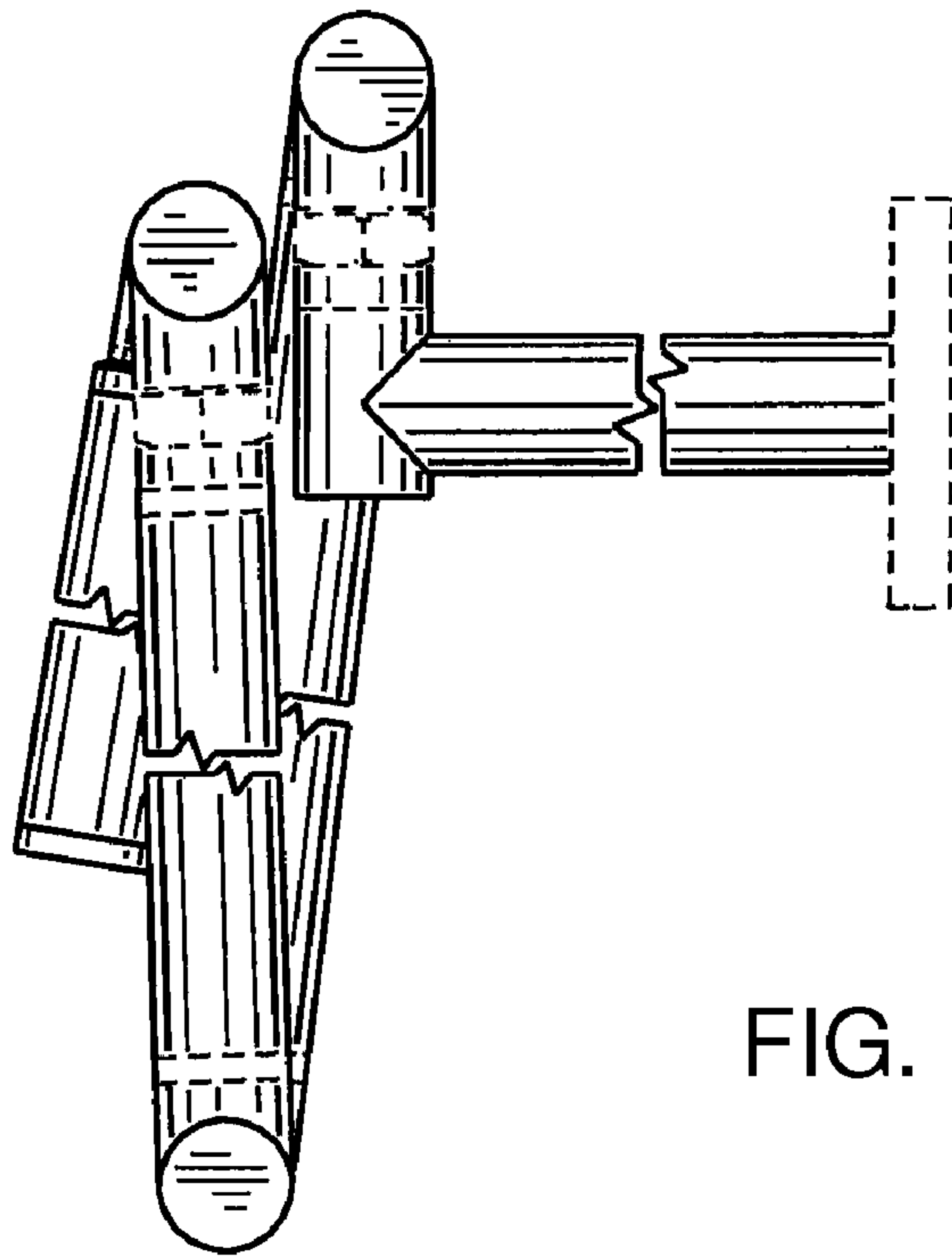


FIG. 12

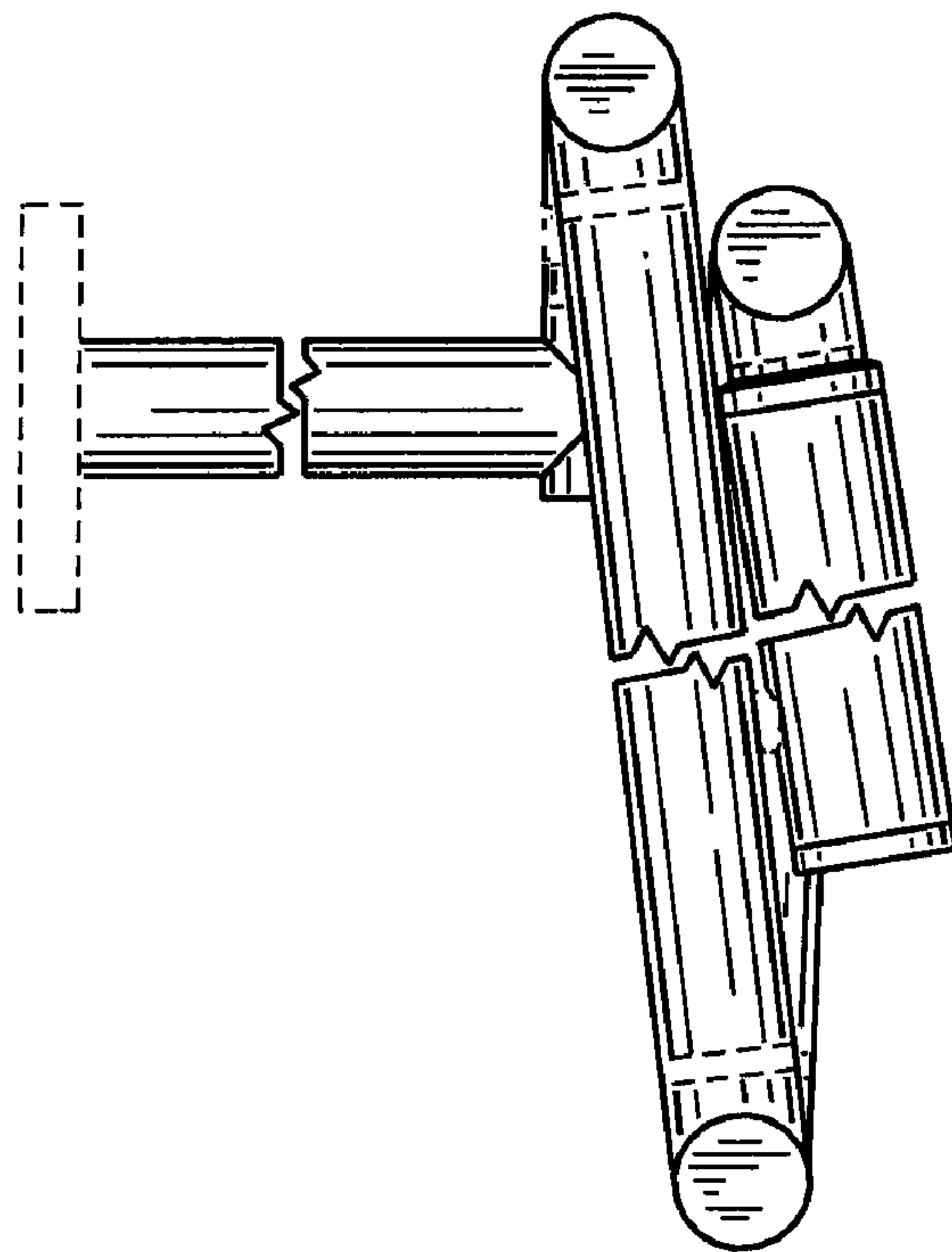


FIG. 13

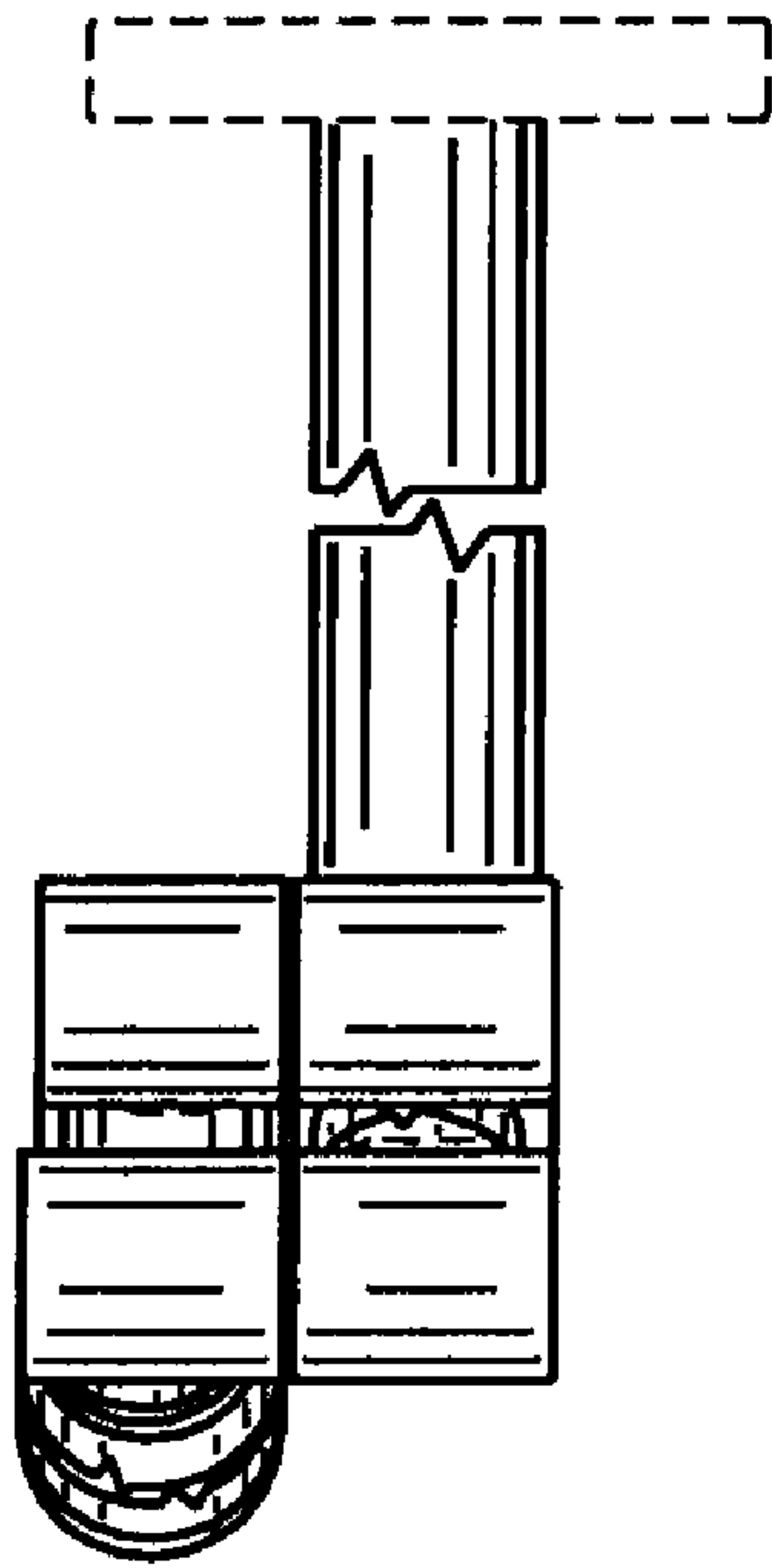


FIG. 14

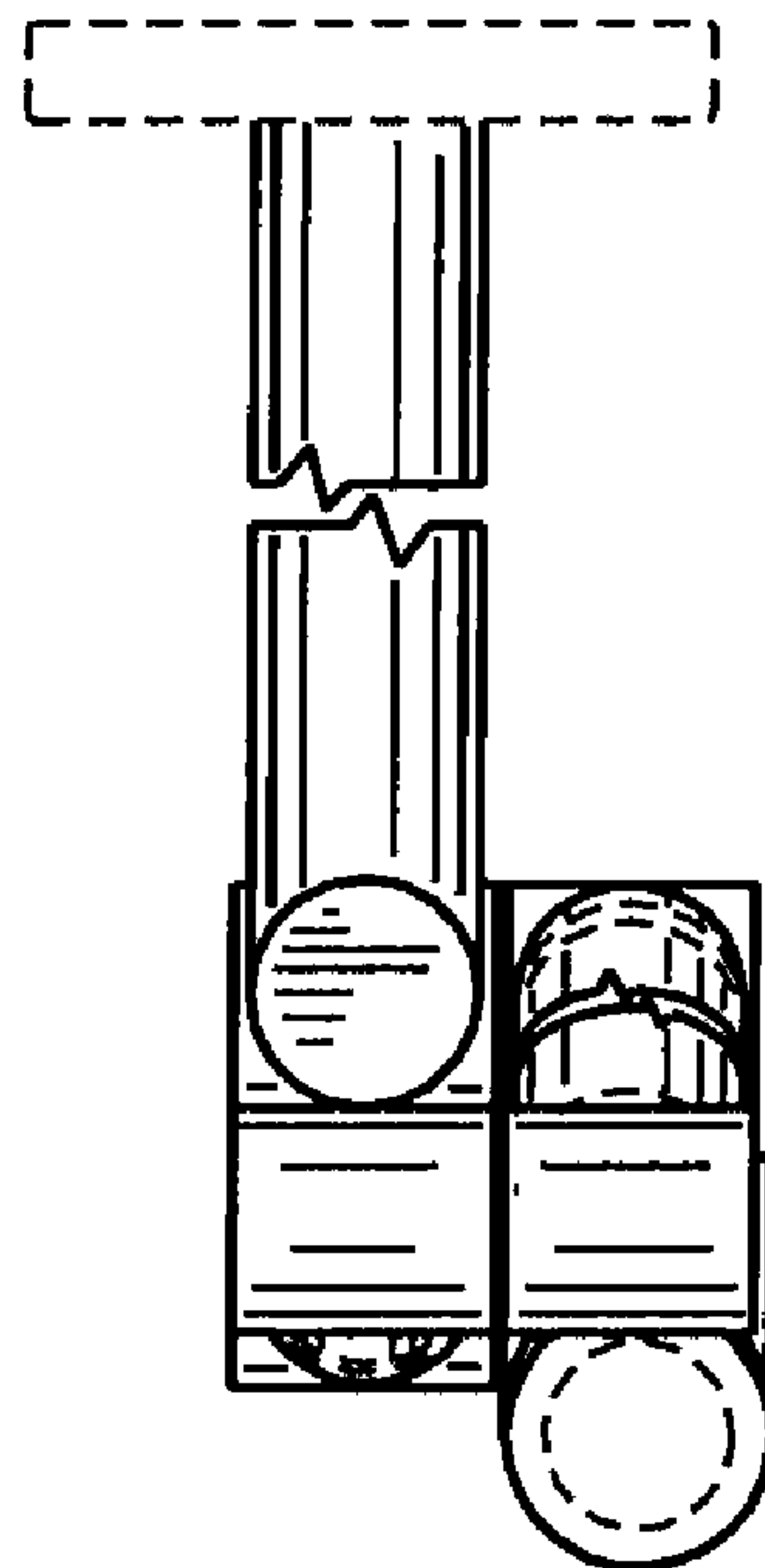


FIG. 15

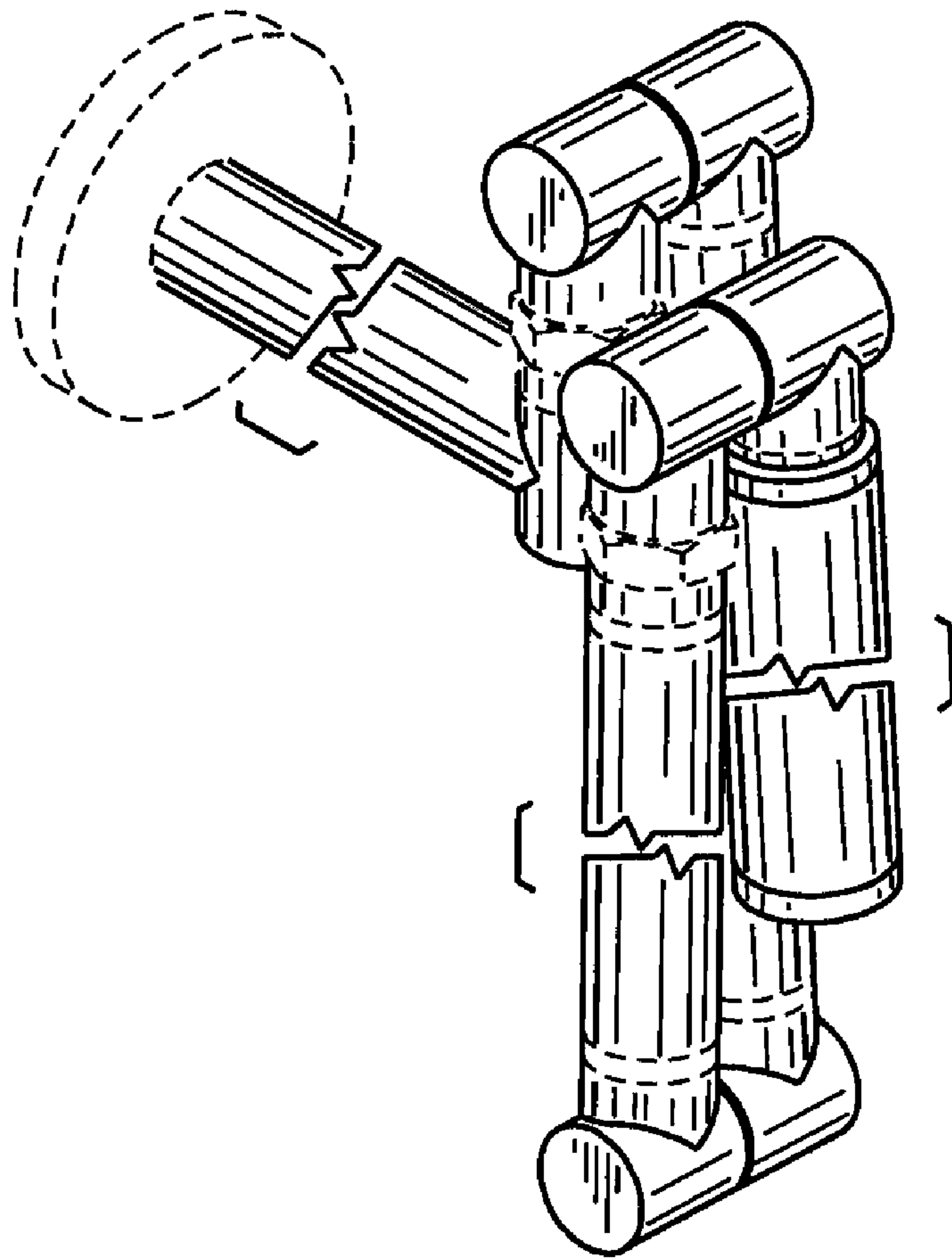


FIG. 16