



US00D627856S

(12) **United States Design Patent**  
**Escoto, Jr. et al.**

(10) **Patent No.:** **US D627,856 S**  
(45) **Date of Patent:** **\*\* Nov. 23, 2010**

(54) **LIQUID SPRAY GUN NOZZLE CONNECTOR**

(75) Inventors: **John I. Escoto, Jr.**, St. Paul, MN (US);  
**Daniel E. Siltberg**, White Bear  
Township, MN (US)

(73) Assignee: **3M Innovative Properties Company**,  
St. Paul, MN (US)

(\*\*) Term: **14 Years**

(21) Appl. No.: **29/366,521**

(22) Filed: **Jul. 27, 2010**

6,854,667 B2 2/2005 Ulrich et al.  
6,874,702 B2 4/2005 Turnbull  
6,971,590 B2 12/2005 Blette et al.  
7,032,839 B2 4/2006 Blette et al.  
D538,886 S \* 3/2007 Huang ..... D23/226  
7,201,336 B2 4/2007 Blette et al.  
D542,376 S 5/2007 Blette et al.

(Continued)

FOREIGN PATENT DOCUMENTS

WO WO 2005/049145 6/2005

**Related U.S. Application Data**

(63) Continuation of application No. 12/693,777, filed on  
Jan. 26, 2010.

(51) **LOC (9) Cl.** ..... **23-01**

(52) **U.S. Cl.** ..... **D23/213; D23/266**

(58) **Field of Classification Search** ..... D23/213,  
D23/223, 226; 239/290, 291, 296, 119, 601,  
239/690, 691, 526; 361/227, 228

See application file for complete search history.

(56) **References Cited**

U.S. PATENT DOCUMENTS

4,971,251 A 11/1990 Dobrick et al.  
5,022,590 A 6/1991 Buschor  
5,322,221 A 6/1994 Anderson  
5,332,156 A 7/1994 Wheeler  
5,582,350 A 12/1996 Kosmyrna et al.  
5,613,637 A 3/1997 Schmon  
5,711,421 A 1/1998 Guo  
5,765,753 A 6/1998 Kieffer  
6,019,294 A 2/2000 Anderson et al.  
D429,794 S \* 8/2000 Beaver et al. .... D23/213  
6,098,902 A 8/2000 Culbertson et al.  
6,460,787 B1 10/2002 Hartle et al.  
6,543,705 B1 4/2003 Liao  
6,702,198 B2 3/2004 Tam et al.  
6,719,212 B1 4/2004 Leisi  
6,808,122 B2 10/2004 Mitcheli  
6,820,824 B1 11/2004 Joseph et al.

OTHER PUBLICATIONS

PCT International Search Report, PCT/US2010/022101.

*Primary Examiner*—Robin V Webster

(74) *Attorney, Agent, or Firm*—Steven E. Skolnick

(57) **CLAIM**

The ornamental design for a liquid spray gun nozzle connector, as shown and described.

**DESCRIPTION**

FIG. 1 is a perspective view of a liquid spray gun showing the new design for a liquid spray gun nozzle connector;

FIG. 2 is a left-side elevation view thereof, the right-side elevation view being a mirror image thereof;

FIG. 3 is a front side elevation view thereof;

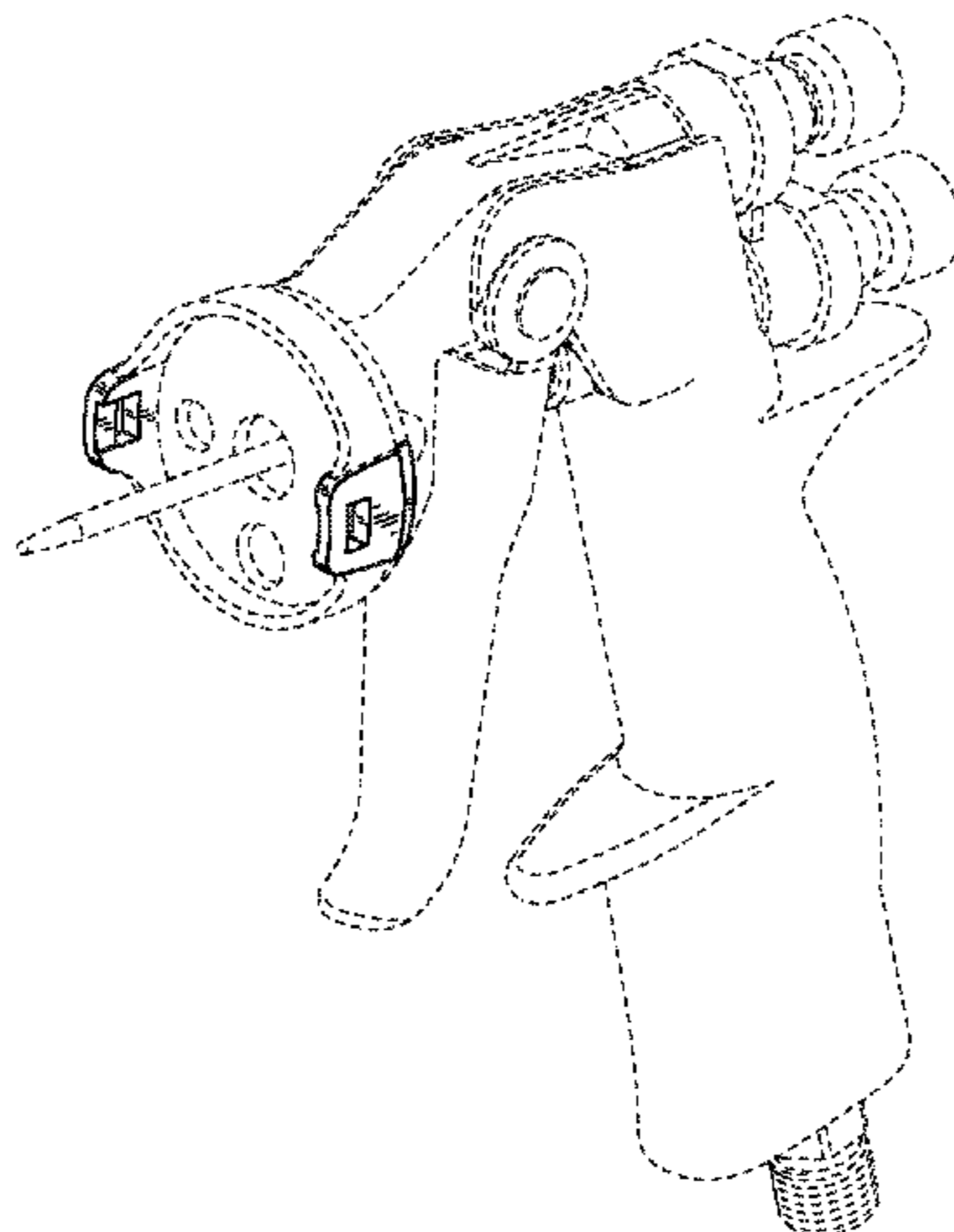
FIG. 4 is a back side elevation view thereof;

FIG. 5 is a top plan view thereof; and,

FIG. 6 is a bottom plan view thereof.

The broken line showing is included for the purpose of illustrating and forms no part of the claimed design.

**1 Claim, 4 Drawing Sheets**



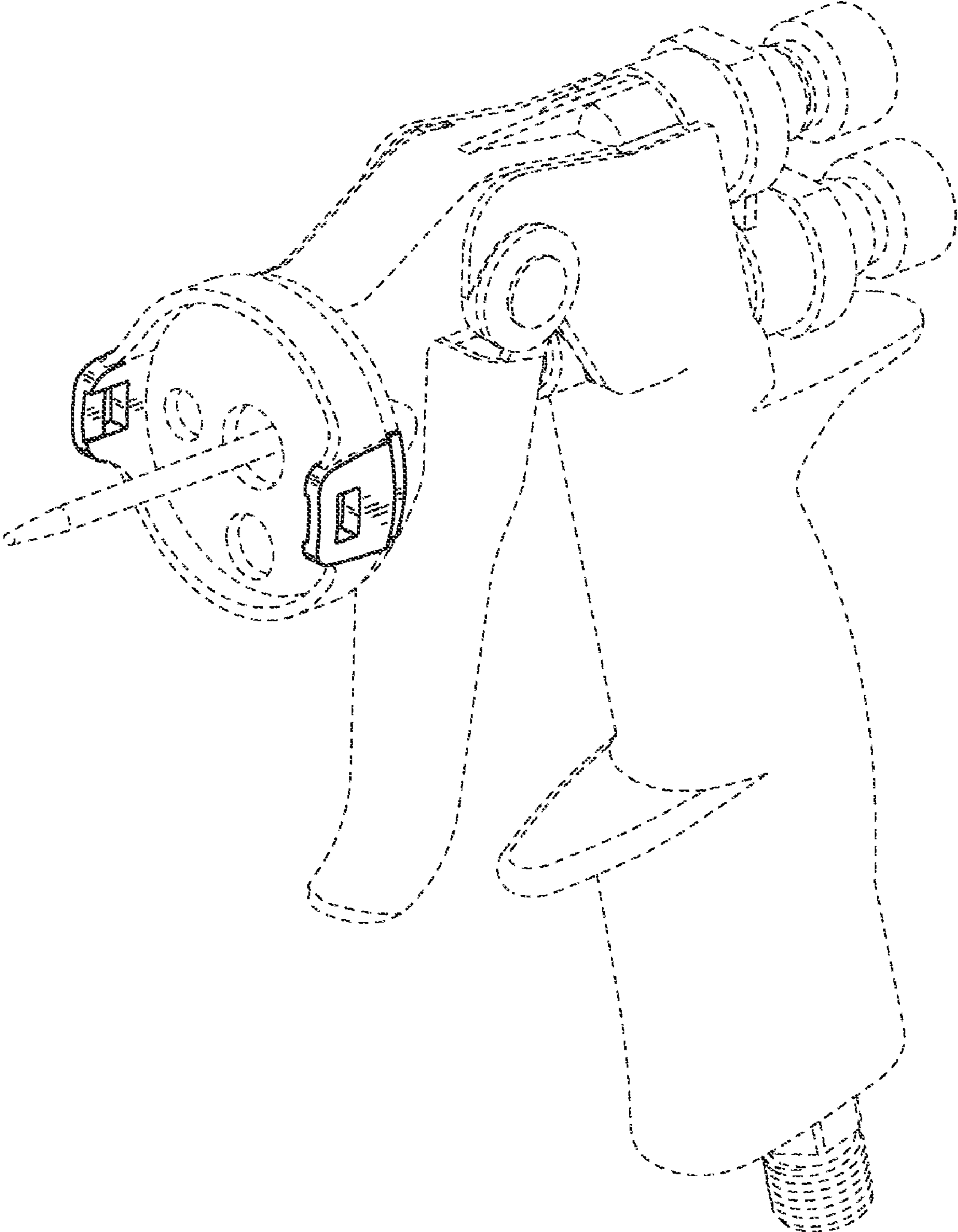
# US D627,856 S

Page 2

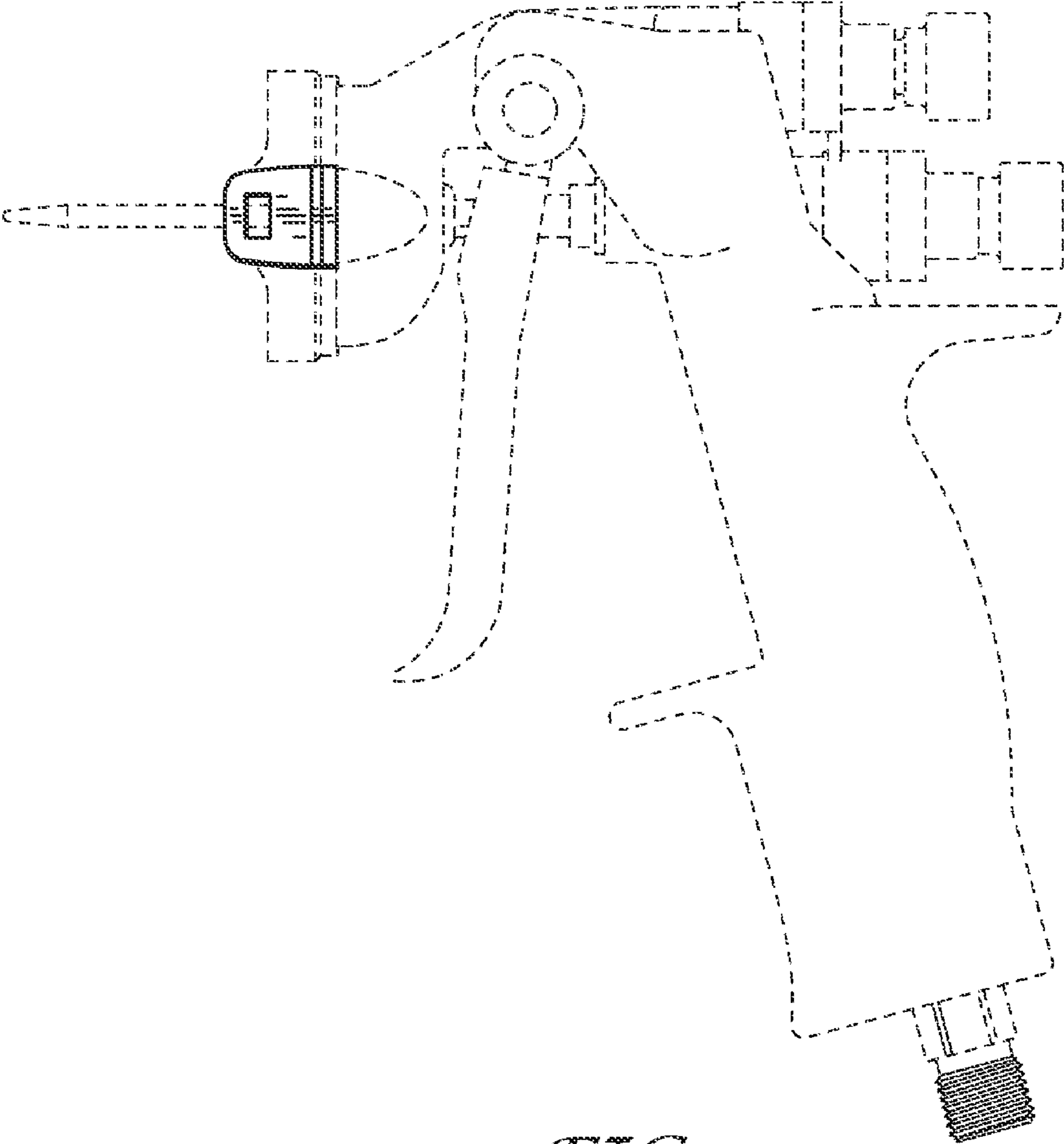
---

U.S. PATENT DOCUMENTS			
7,246,759	B2	7/2007	Turnbull
7,328,855	B2	2/2008	Chatron et al.
RE40,433	E	7/2008	Schmon
D572,343	S *	7/2008	Huang ..... D23/229
7,484,676	B2	2/2009	Joseph et al.
D616,527	S *	5/2010	Anderson et al. .... D23/226
2004/0140373	A1	7/2004	Joseph et al.
2004/0256493	A1	12/2004	Turnbull
2005/0087128	A1	4/2005	Jakupovic
2005/0145718	A1	7/2005	Blette et al.
2005/0145724	A1	7/2005	Blette et al.
2006/0065761	A1	3/2006	Joseph et al.
2006/0102550	A1	5/2006	Joseph et al.
2008/0295768	A1	12/2008	Micheli et al.
2009/0148612	A1	6/2009	Micheli

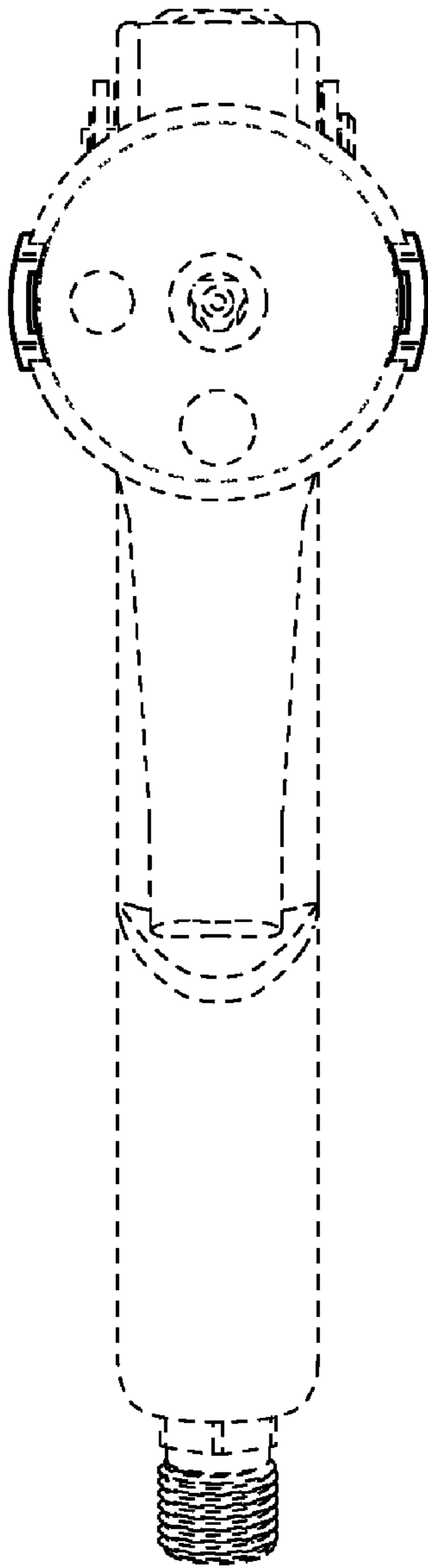
\* cited by examiner



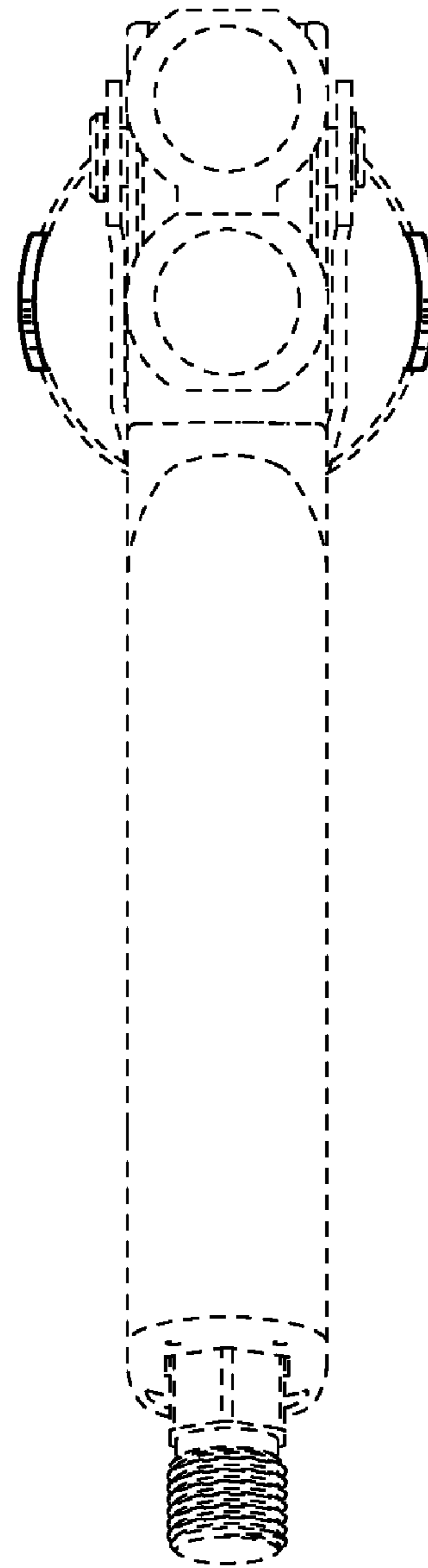
*FIG. 1*



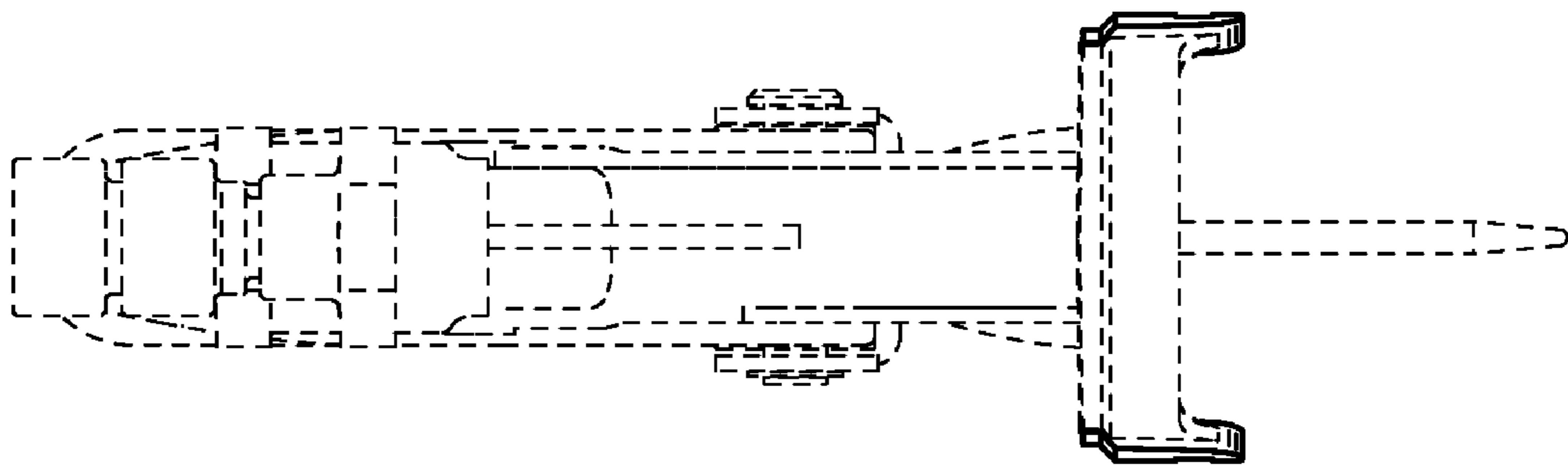
*FIG. 2*



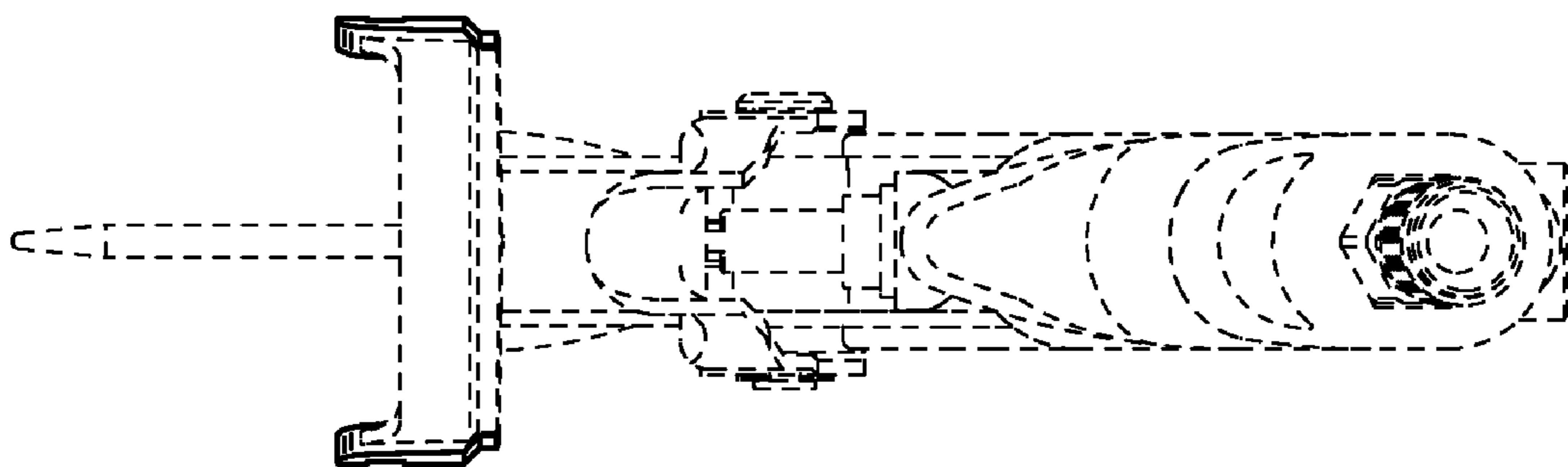
*FIG. 3*



*FIG. 4*



*FIG. 5*



*FIG. 6*