



US00D627850S

(12) **United States Design Patent**
Rich

(10) **Patent No.:** **US D627,850 S**

(45) **Date of Patent:** **** *Nov. 23, 2010**

(54) **FIREARM MAGAZINE**

(76) Inventor: **Kevin Wayne Rich**, 22843 Buskirk Dr.,
Middleton, ID (US) 83644

(*) Notice: This patent is subject to a terminal disclaimer.

(**) Term: **14 Years**

(21) Appl. No.: **29/344,999**

(22) Filed: **Oct. 7, 2009**

(51) **LOC (9) Cl.** **22-01**

(52) **U.S. Cl.** **D22/108**

(58) **Field of Classification Search** D22/108-110,
D22/199; D16/132, 130, 133, 330, 134;
42/111, 133, 119, 122

See application file for complete search history.

(56) **References Cited**

U.S. PATENT DOCUMENTS

D256,489 S *	8/1980	Stokes	D22/108
D268,511 S *	4/1983	Gwinn, Jr.	D22/108
D274,170 S *	6/1984	Retzlaff et al.	D22/108
4,658,700 A *	4/1987	Sullivan	89/33.02
D297,661 S *	9/1988	Gwinn, Jr.	D22/108
4,926,742 A *	5/1990	Ma et al.	89/33.02

* cited by examiner

Primary Examiner—T. Chase Nelson

Assistant Examiner—Michael A Pratt

(74) *Attorney, Agent, or Firm*—Zarian Midgley & Johnson
PLLC

(57) **CLAIM**

The ornamental design for a firearm magazine, as shown and described.

DESCRIPTION

FIG. 1 is a perspective view of the firearm magazine of the present invention;

FIG. 2 is a back view of the firearm magazine of FIG. 1;

FIG. 3 is a front view of the firearm magazine of FIG. 1;

FIG. 4 is a right side view of the firearm magazine of FIG. 1;

FIG. 5 is a left side view of the firearm magazine of FIG. 1;

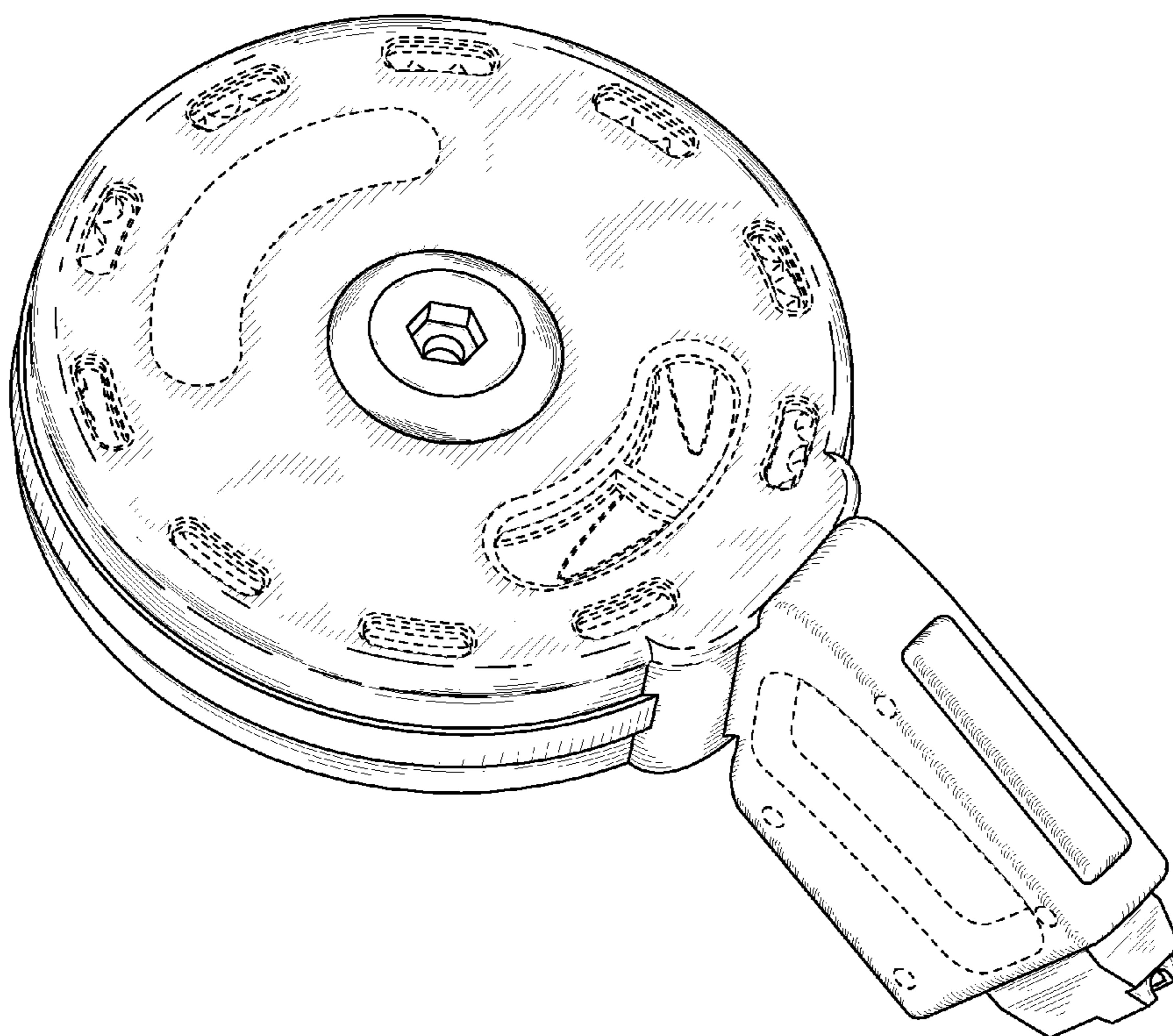
FIG. 6 is a bottom view of the firearm magazine of FIG. 1;

FIG. 7 is a top view of the firearm magazine of FIG. 1; and,

FIG. 8 is another right side view of the firearm magazine of FIG. 1.

The broken line showing of FIGS. 1 through 5 is included for the purpose of illustrating portions of the ammunition magazine that form no part of the claimed design.

1 Claim, 5 Drawing Sheets



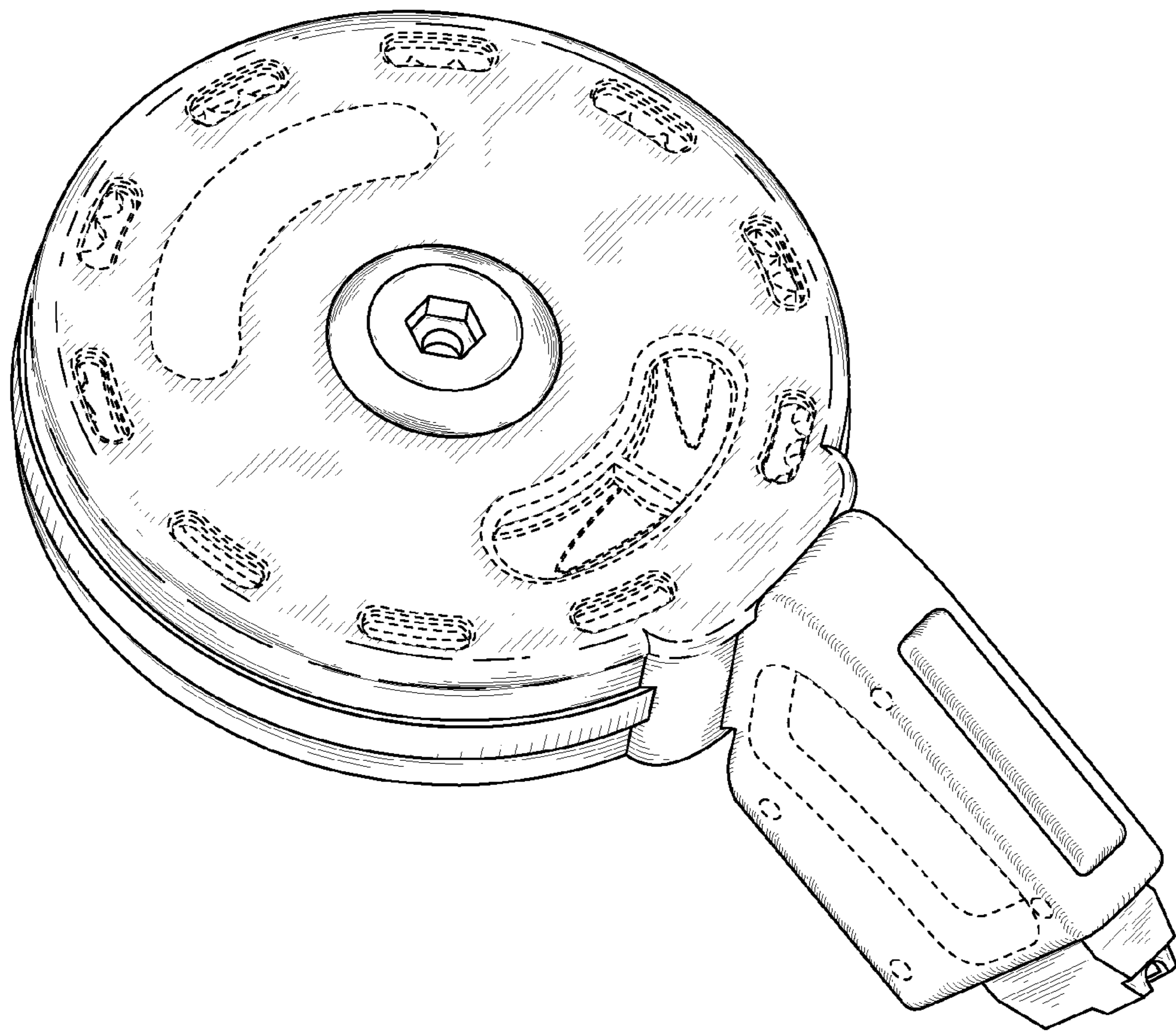


FIG. 1

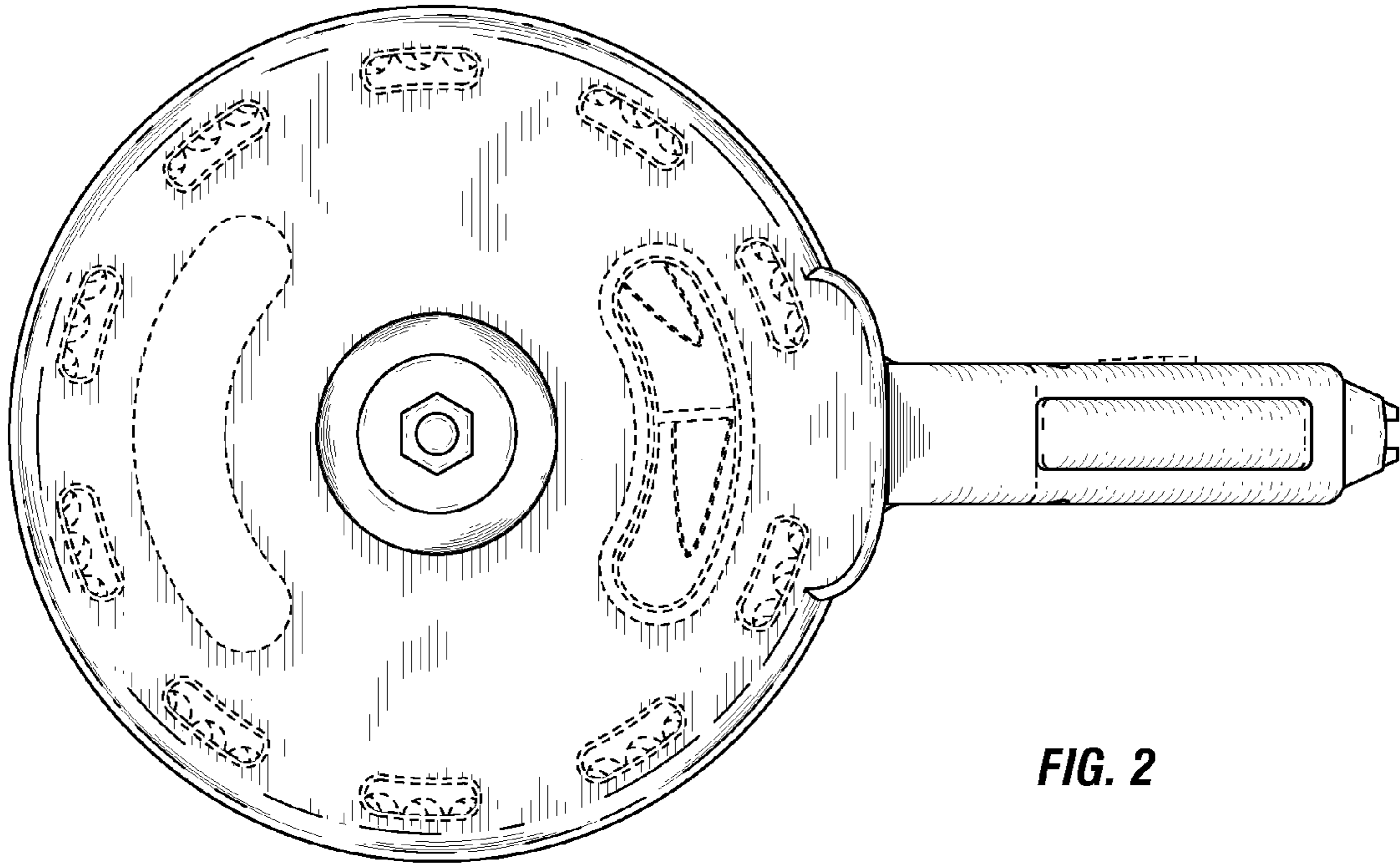


FIG. 2

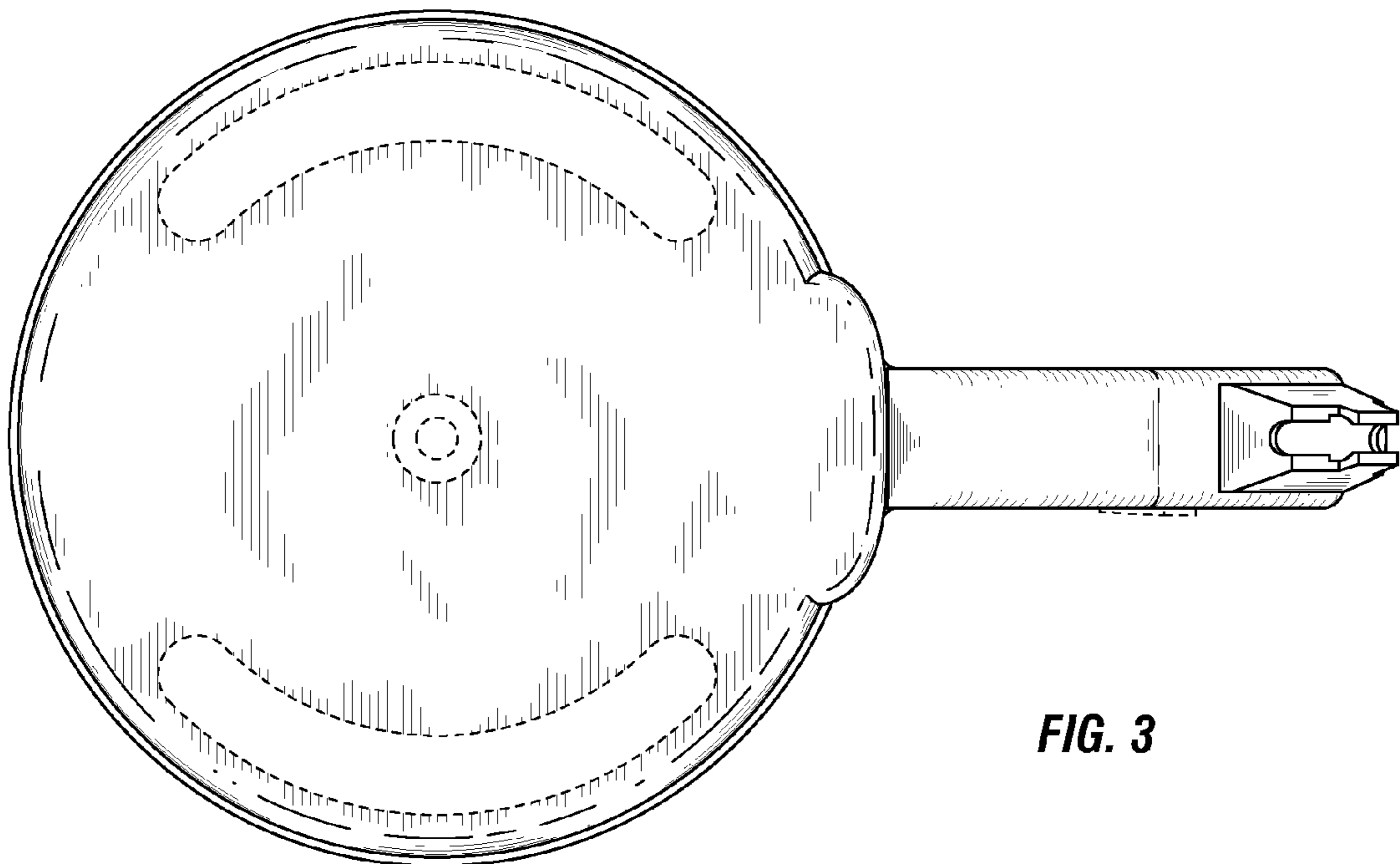


FIG. 3

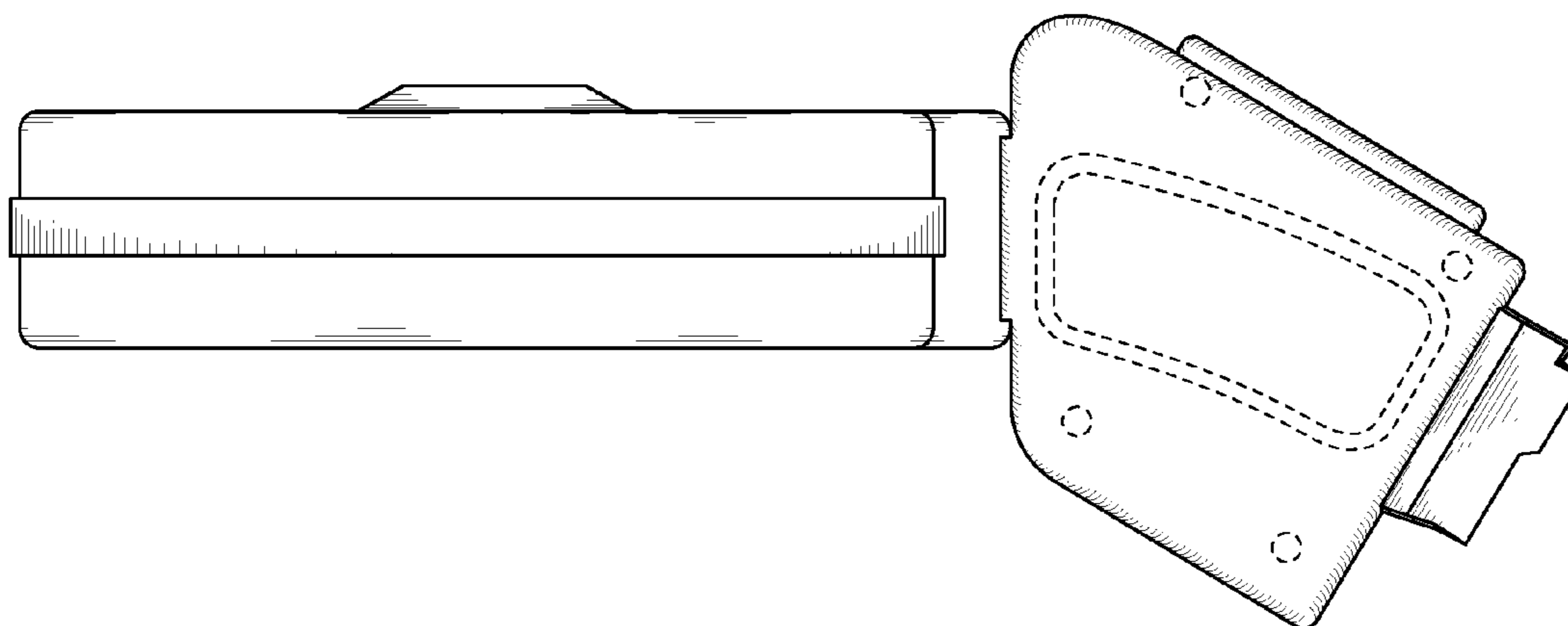


FIG. 4

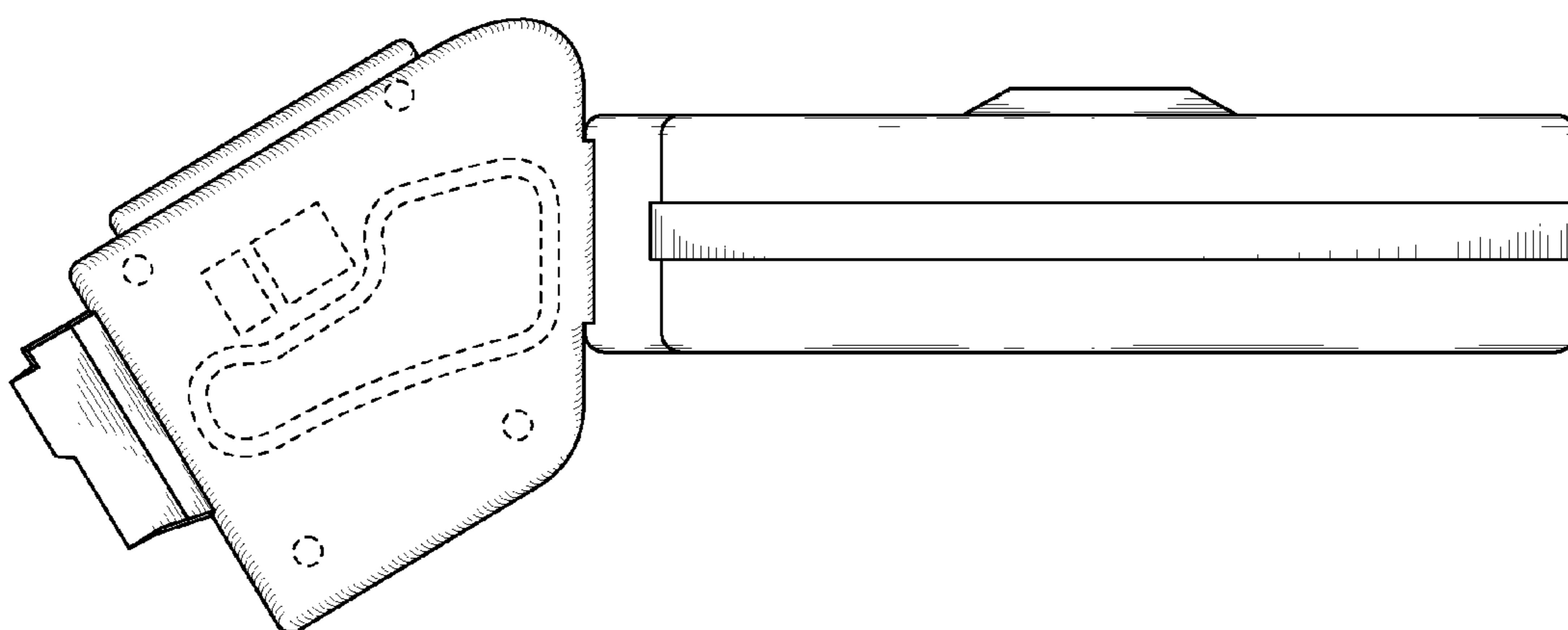


FIG. 5

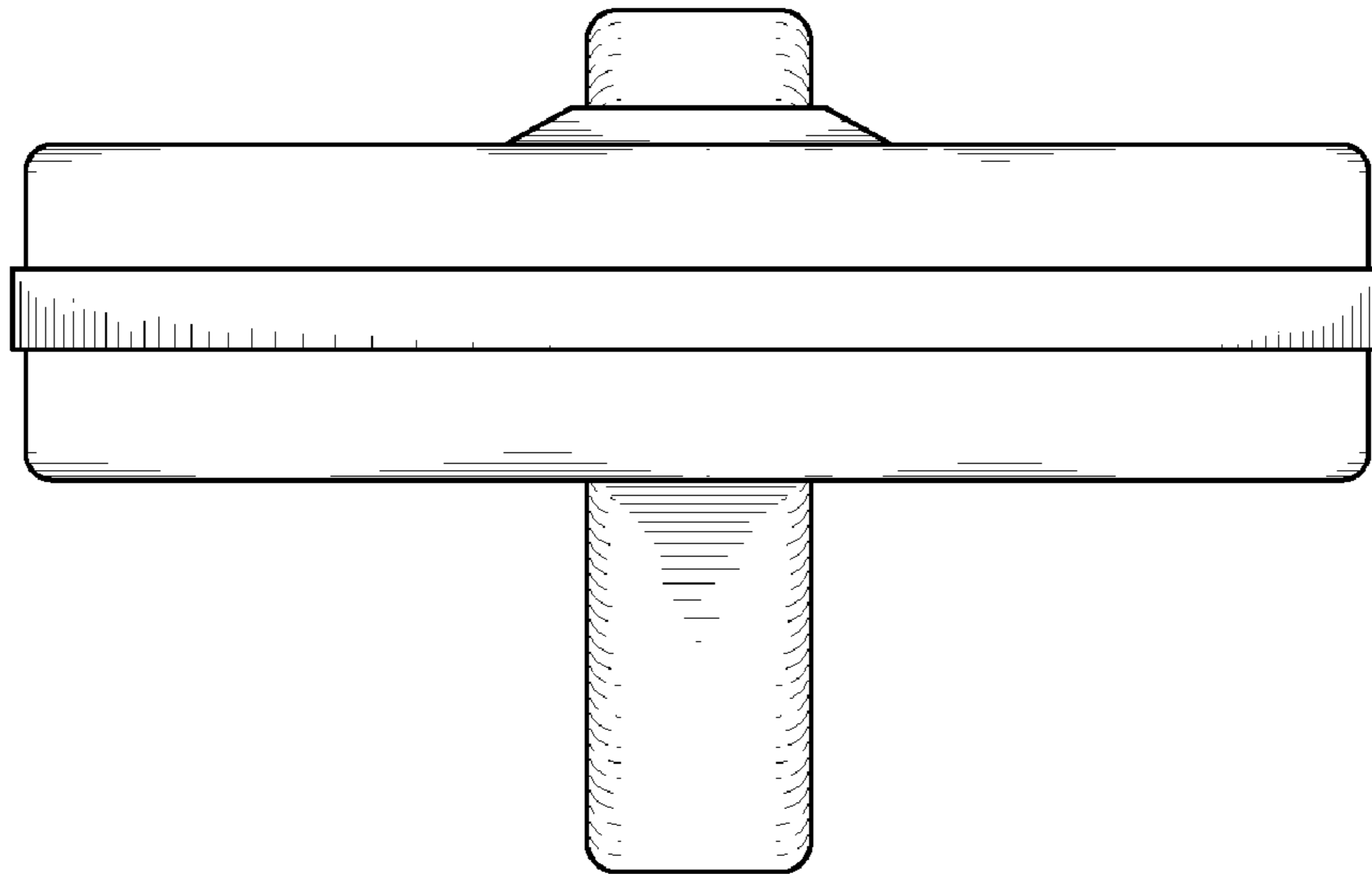


FIG. 6

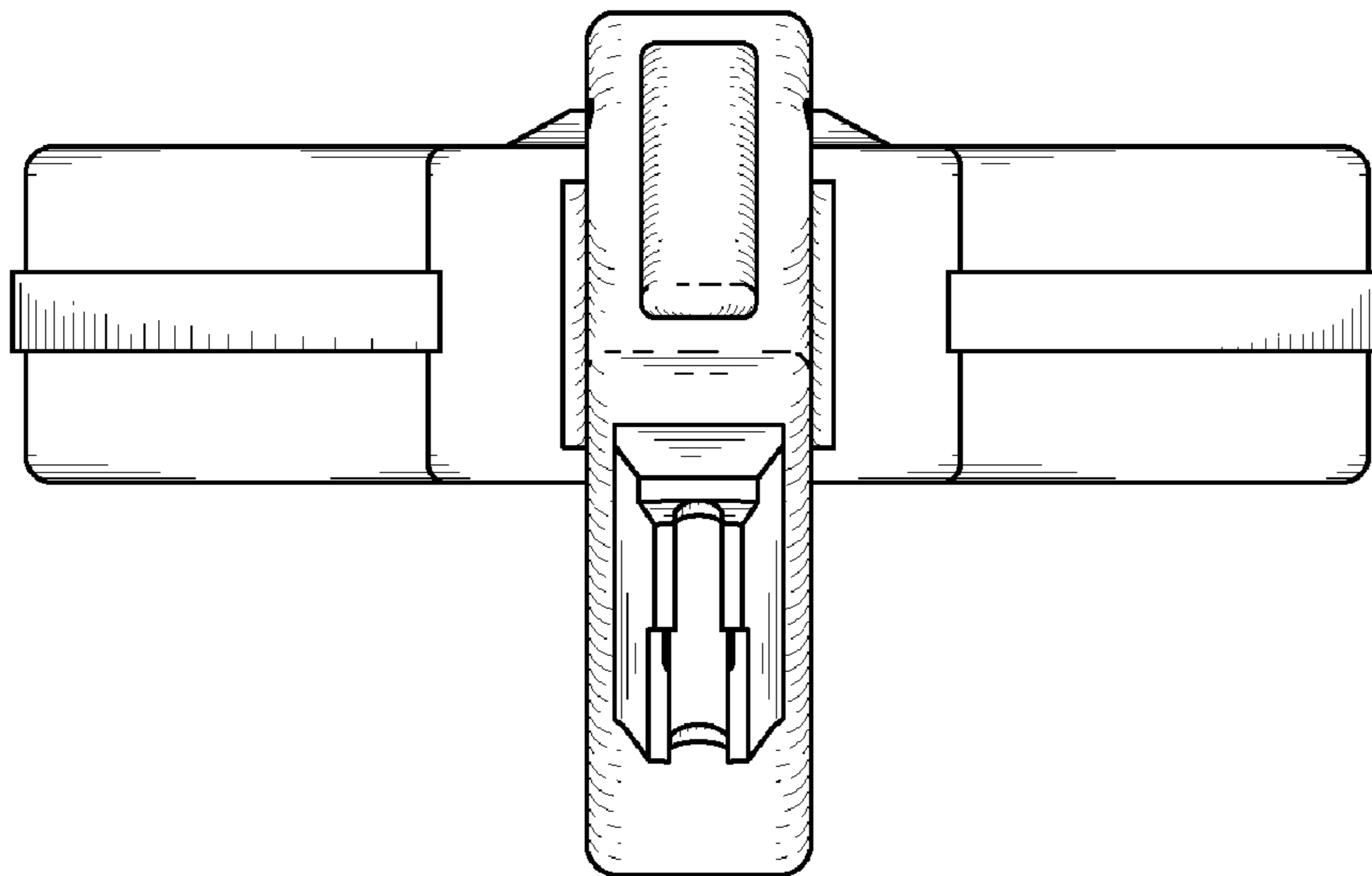


FIG. 7

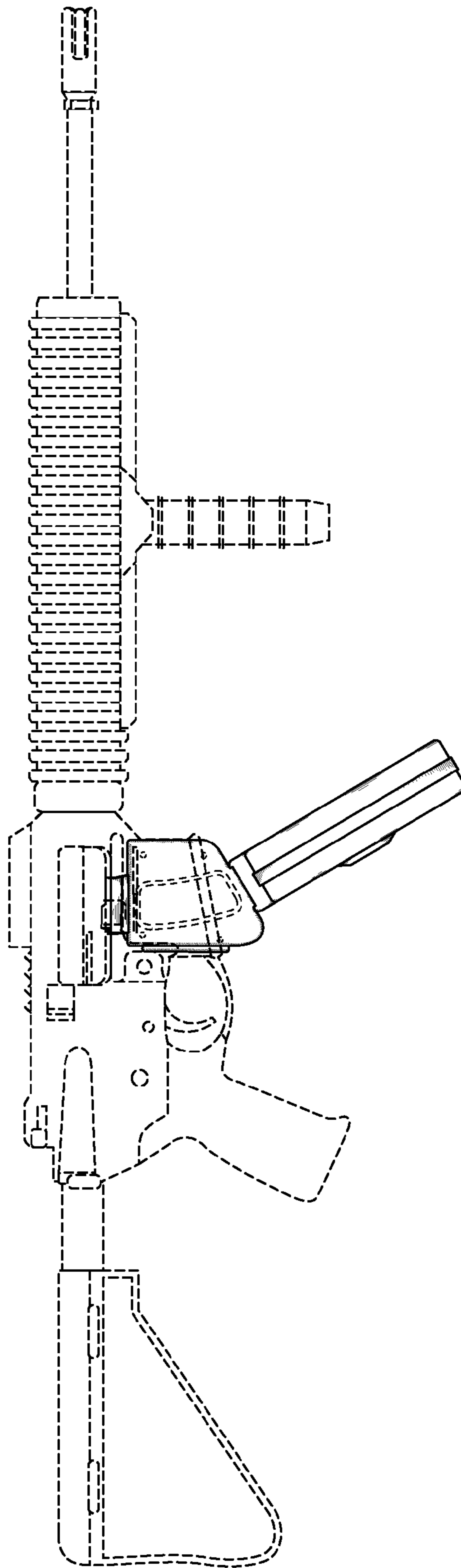


FIG. 8