



US00D627849S

(12) **United States Design Patent**
Keller

(10) **Patent No.:** **US D627,849 S**

(45) **Date of Patent:** **** Nov. 23, 2010**

(54) **WEAPON GAS BLOCK**

Primary Examiner—T. Chase Nelson
Assistant Examiner—Michael A Pratt

(76) **Inventor:** **Scott Robert Keller**, 3810 Spruce Creek Rd., Spruce Creek, PA (US) 16683

(57) **CLAIM**

(**) **Term:** **14 Years**

The ornamental design for a weapon gas block, as shown and described.

(21) **Appl. No.:** **29/315,675**

(22) **Filed:** **Jul. 15, 2009**

(51) **LOC (9) Cl.** **22-01**

(52) **U.S. Cl.** **D22/108**

(58) **Field of Classification Search** D22/100, D22/101, 103, 104, 108, 199; 42/51, 71.01, 42/75.01, 75.02, 90, 94, 134, 136, 139, 125, 42/72, 111; 362/110; 33/241, 277; 313/105 R; 89/40.06, 41.19, 37.04, 33.04, 191.01, 200–204; 124/67, 66, 74; D21/572, 573

See application file for complete search history.

DESCRIPTION

FIG. 1 is a front, top and right side perspective view of a weapon gas block, showing my new design. The broken lines showing the outline of a partial weapon barrel and gas rod are for illustration purposes only and form no part of the design; FIG. 2 is a front elevational view thereof; FIG. 3 is a right elevational view thereof; FIG. 4 is a top plan view thereof; FIG. 5 is a bottom plan view thereof; FIG. 6 is a left elevational view thereof; and, FIG. 7 is a back elevational view thereof.

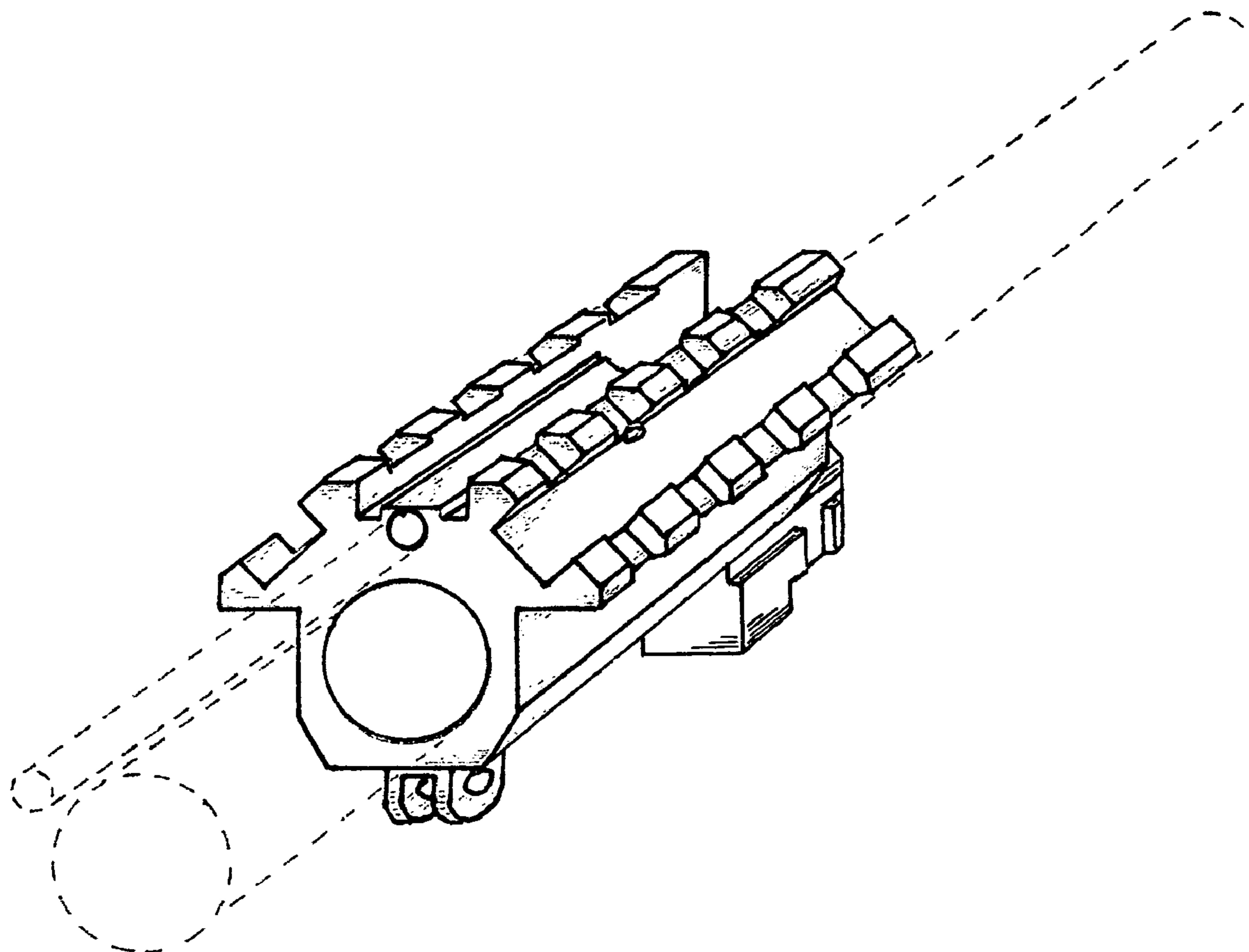
(56) **References Cited**

U.S. PATENT DOCUMENTS

2006/0283318 A1* 12/2006 Beaty 89/193
2009/0120277 A1* 5/2009 Adams 89/179

* cited by examiner

1 Claim, 3 Drawing Sheets



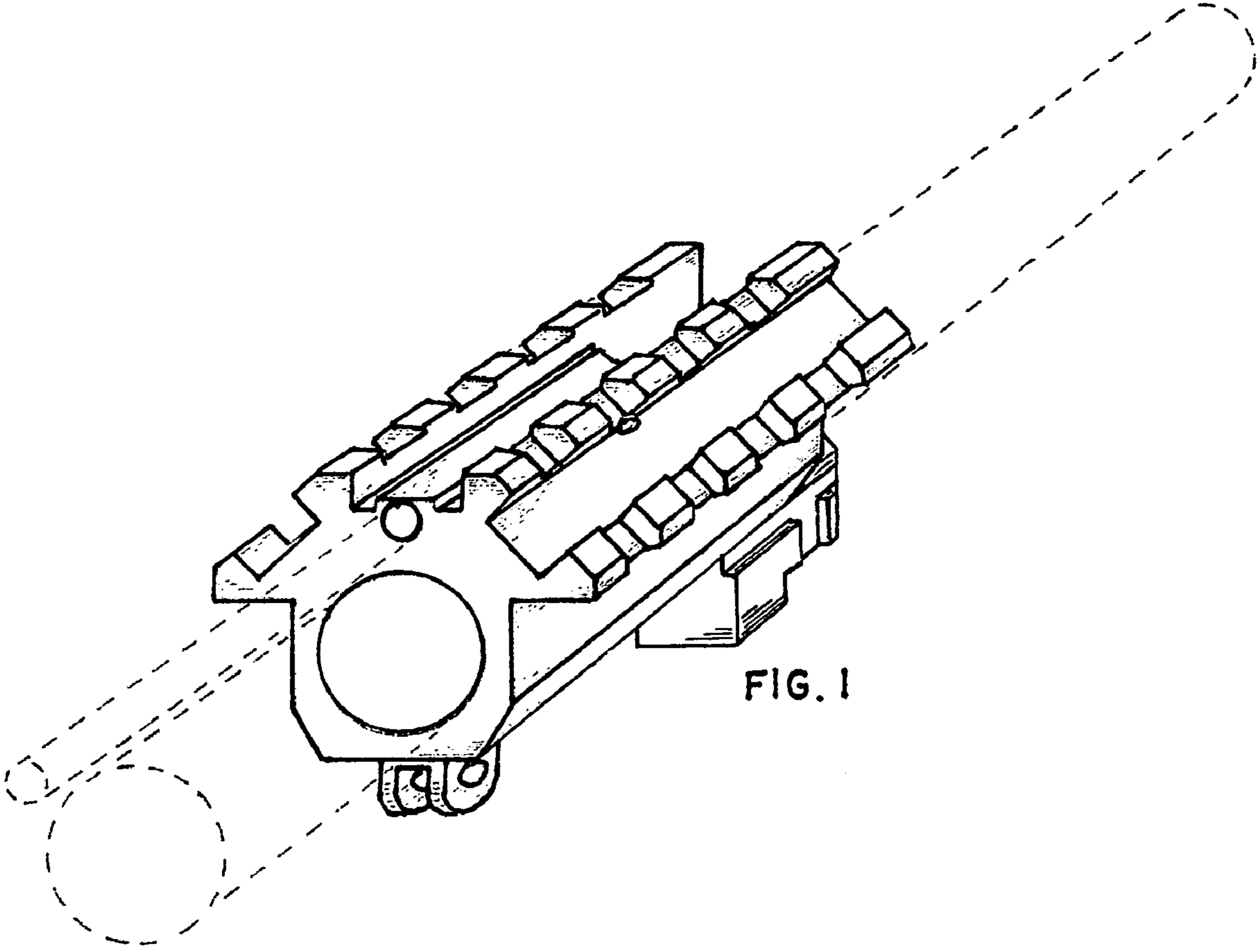


FIG. 1

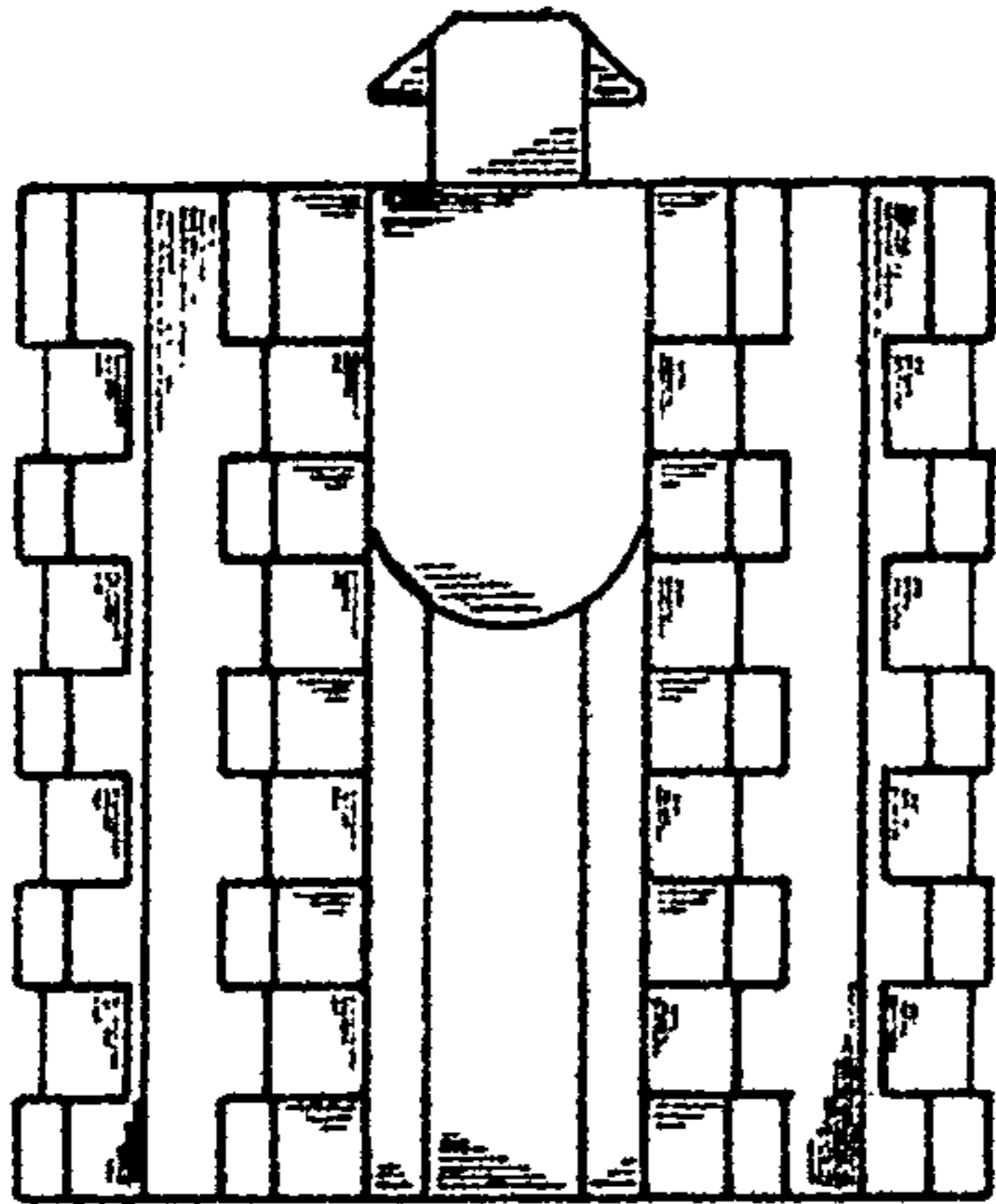


FIG. 4

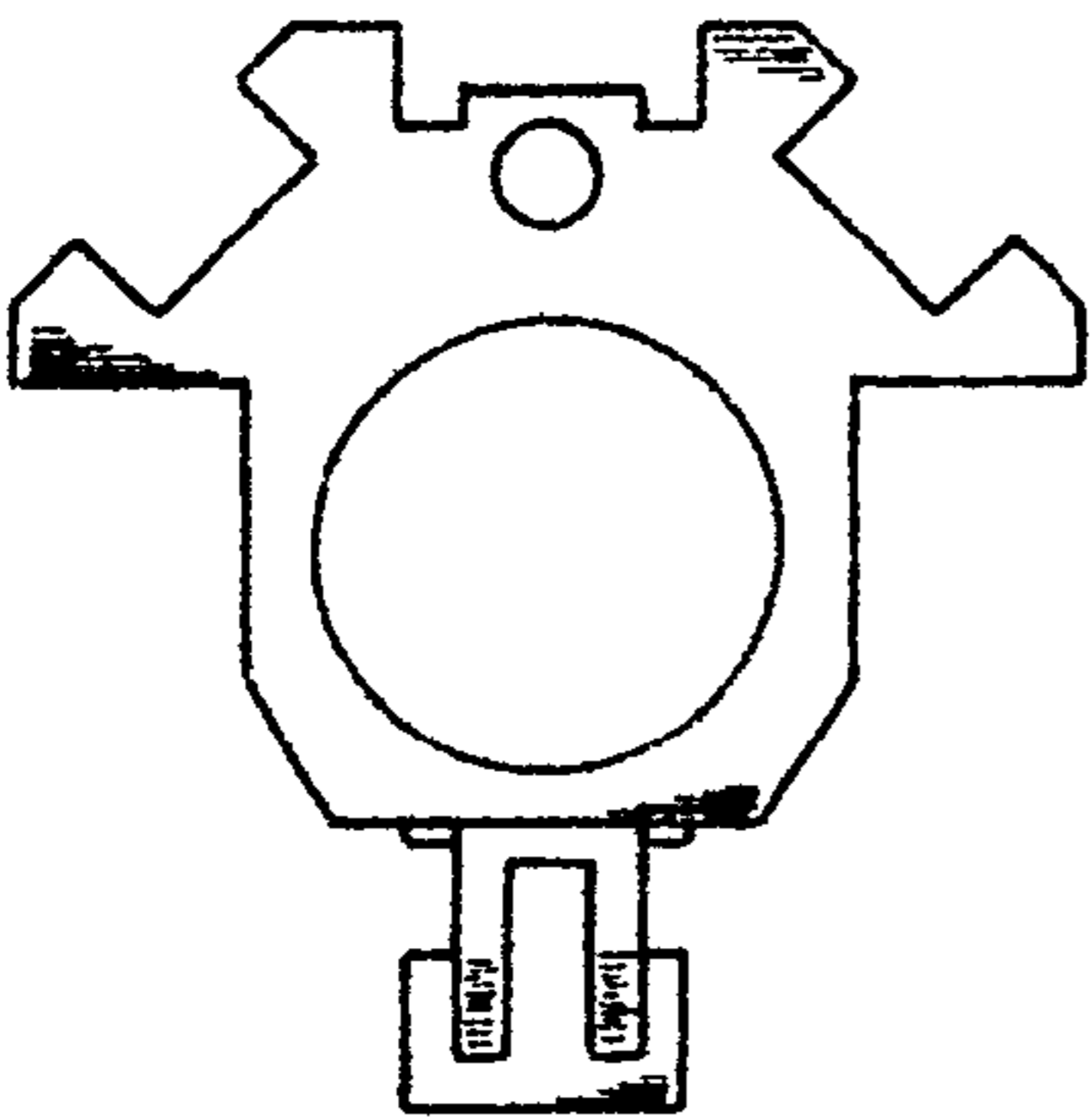


FIG. 2

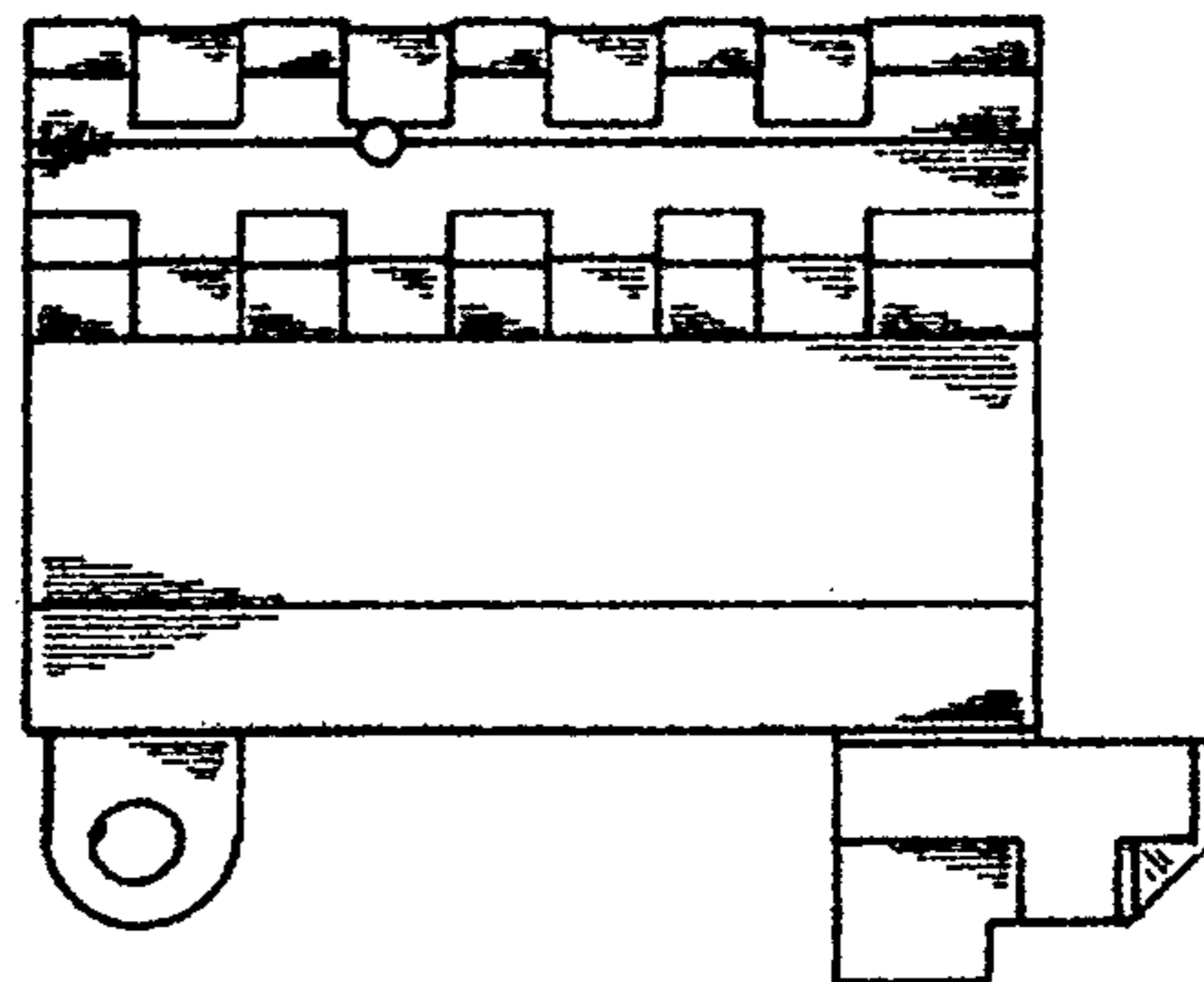


FIG. 3

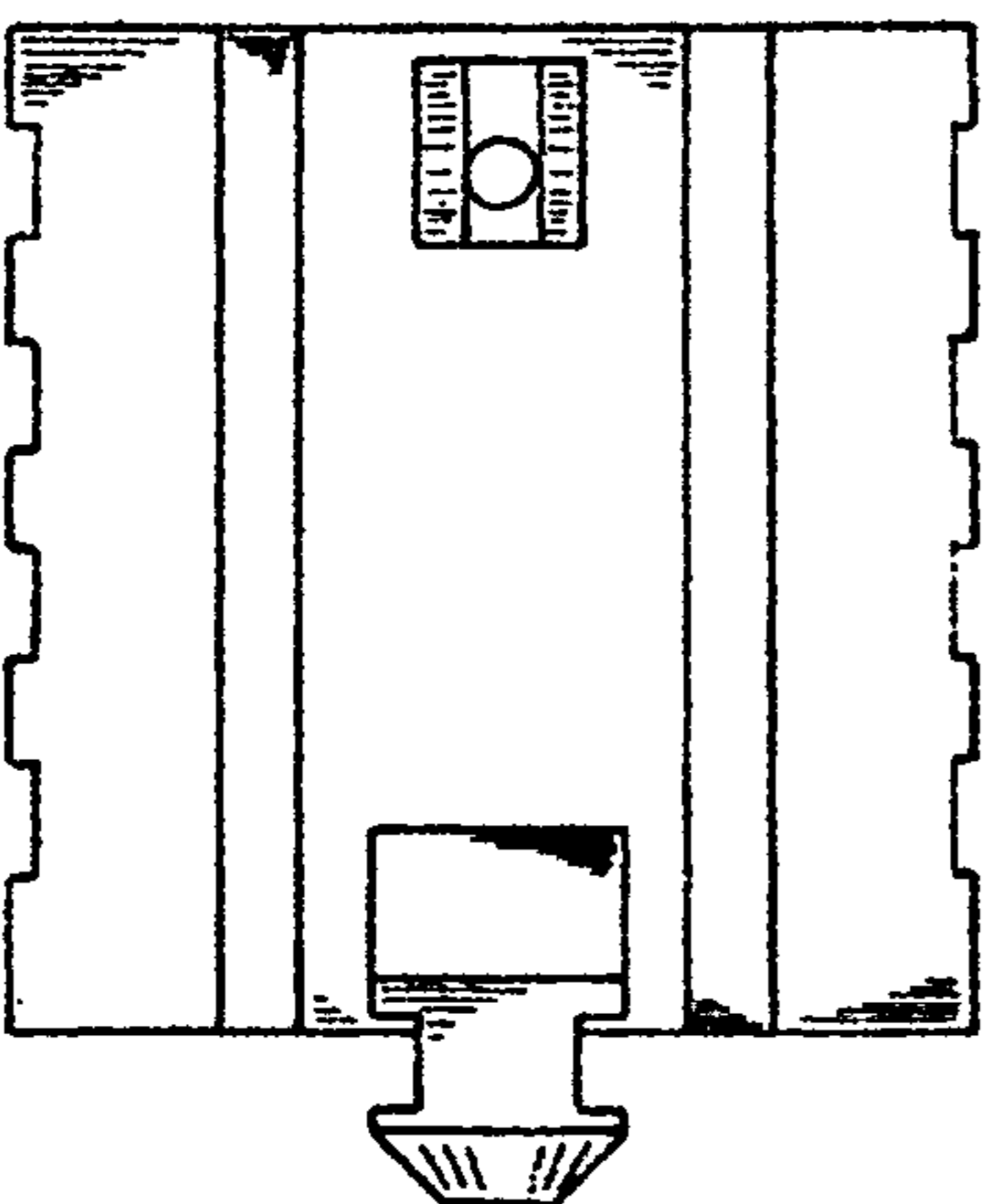


FIG. 5

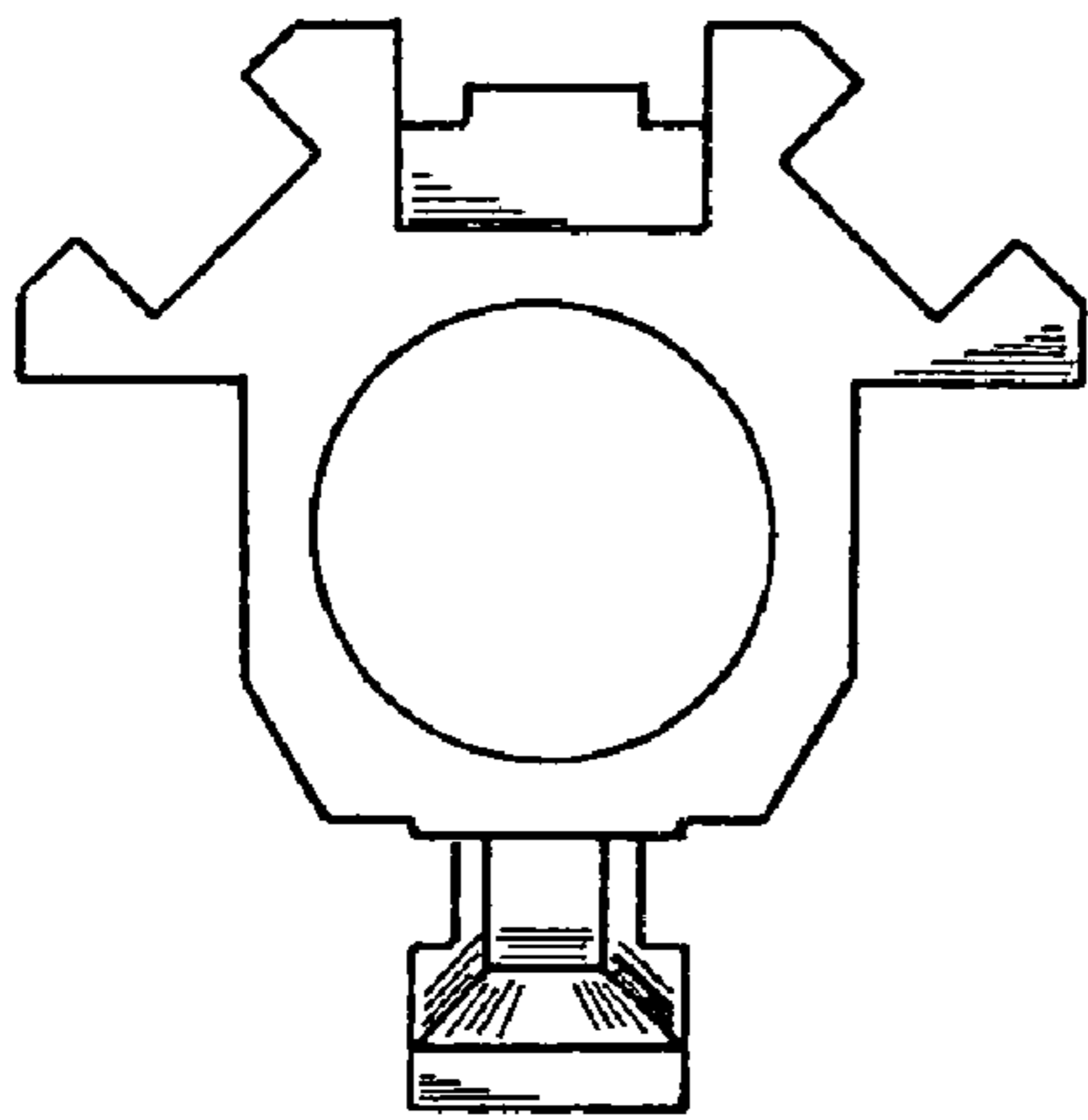


FIG. 7

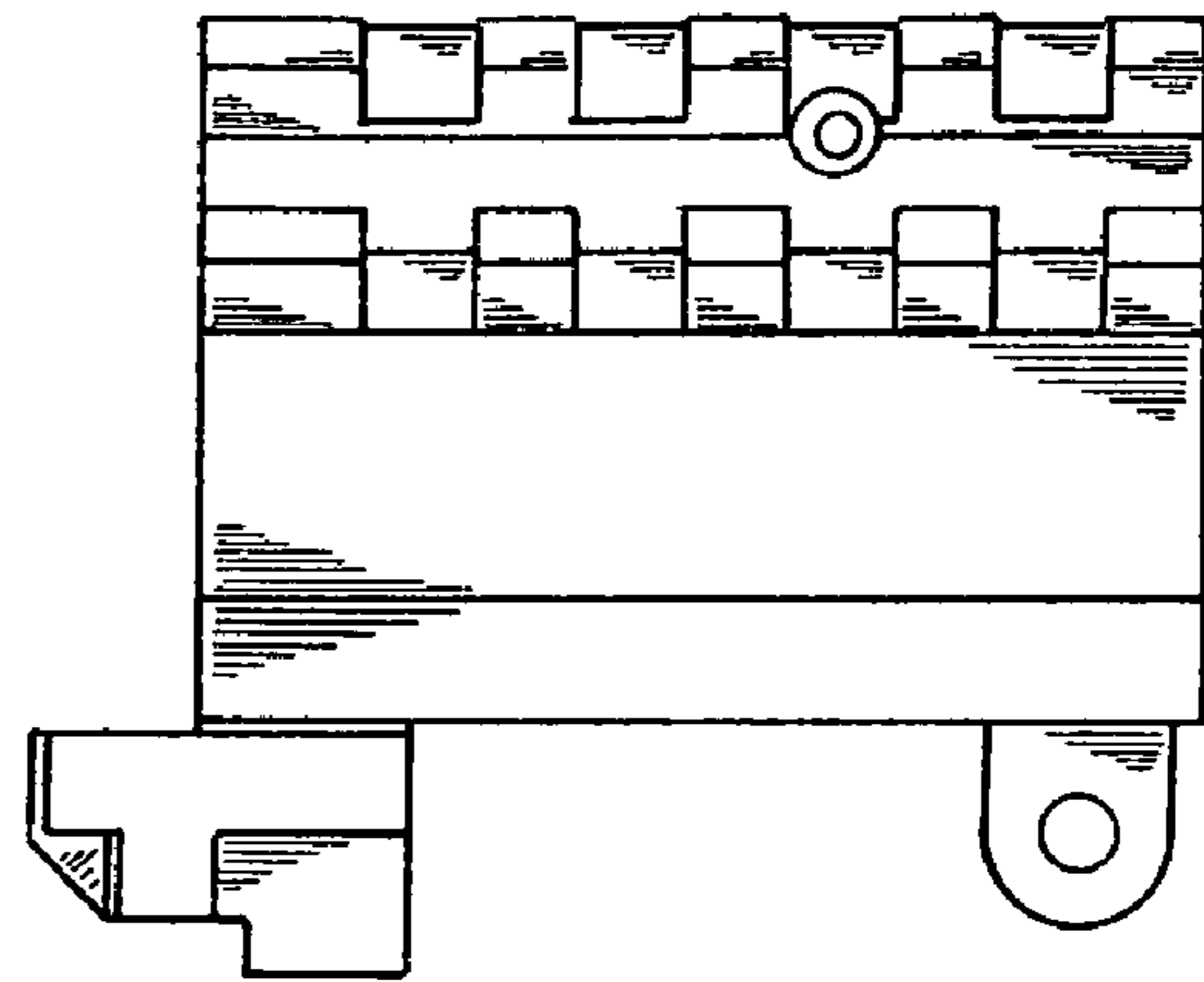


FIG. 6