



US00D627847S

(12) **United States Design Patent**  
**Leoni et al.**

(10) **Patent No.:** **US D627,847 S**

(45) **Date of Patent:** **\*\* Nov. 23, 2010**

(54) **GOLF CLUB CLIP**

(75) Inventors: **Erik C. Leoni**, 720 N. Lucia Ave.,  
Redondo Beach, CA (US) 90277; **Sheri L. Baker**, 626 Lake St., Huntington  
Beach, CA (US) 92648

(73) Assignees: **Erik C. Leoni**, Huntington Beach, CA  
(US); **Sheri L. Baker**, Huntington  
Beach, CA (US)

(\*\*) Term: **14 Years**

(21) Appl. No.: **29/347,213**

(22) Filed: **Oct. 30, 2009**

(51) **LOC (9) Cl.** ..... **21-02**

(52) **U.S. Cl.** ..... **D21/789**

(58) **Field of Classification Search** ..... D21/753,  
D21/759, 796; 473/283, 407, 226; D3/255  
See application file for complete search history.

(56) **References Cited**

U.S. PATENT DOCUMENTS

4,261,121 A 4/1981 Coon  
D410,518 S \* 6/1999 Didier et al. .... D21/789  
D432,197 S \* 10/2000 Carr ..... D21/789

D450,364 S \* 11/2001 Kersten ..... D21/789  
D472,703 S \* 4/2003 Wampler et al. .... D21/796  
6,626,293 B2 9/2003 St. Jeor  
D523,512 S \* 6/2006 Rydzynski et al. .... D21/796

\* cited by examiner

Primary Examiner—Mitchell I Siegel

(57) **CLAIM**

The ornamental design for a golf club clip, as shown and described.

**DESCRIPTION**

FIG. 1 is an environmental perspective view of a golf club clip showing my new design;

FIG. 2 is a front elevational view thereof;

FIG. 3 is a rear elevational view thereof;

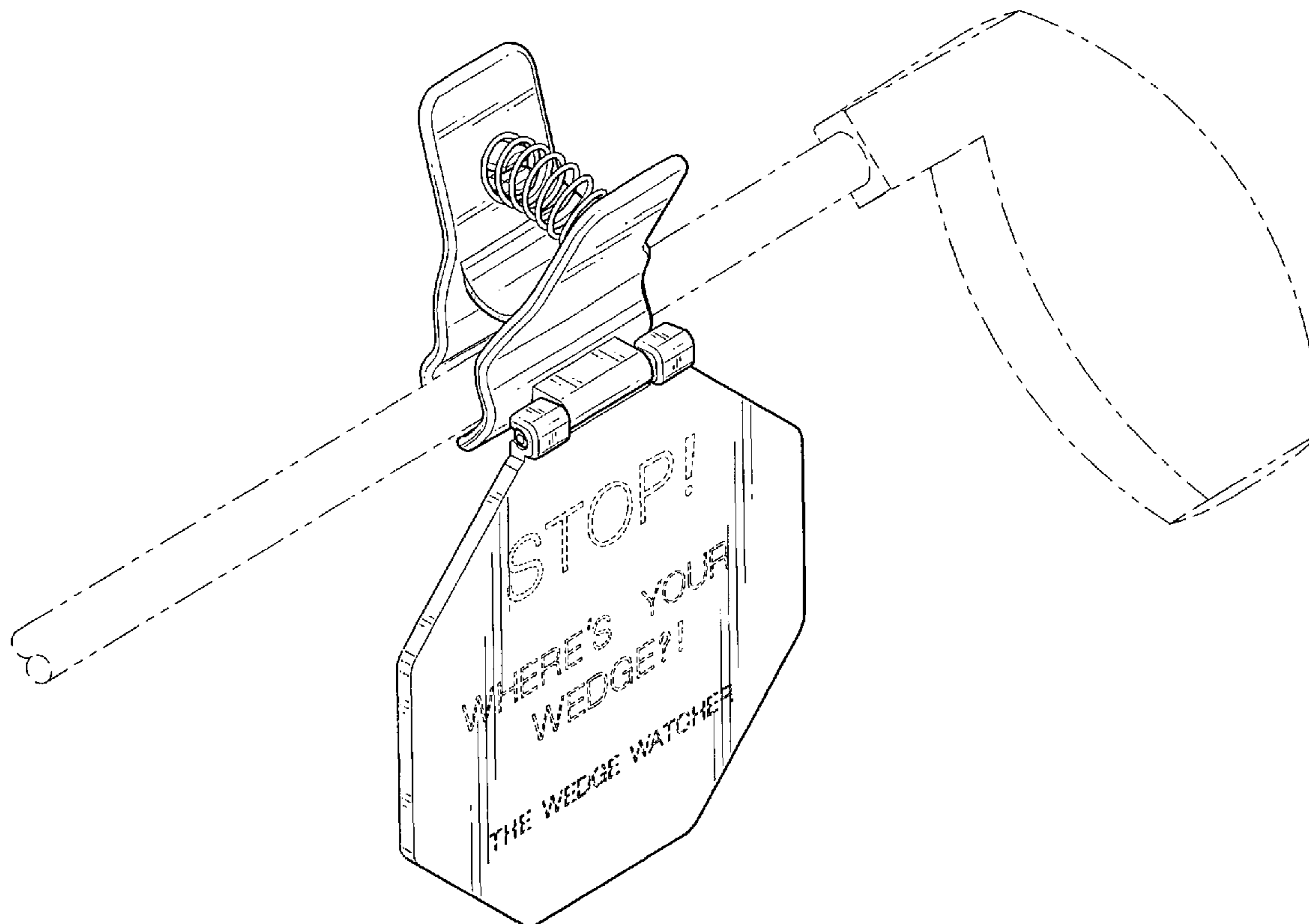
FIG. 4 is a right side elevational view with the left side being a mirror image thereof;

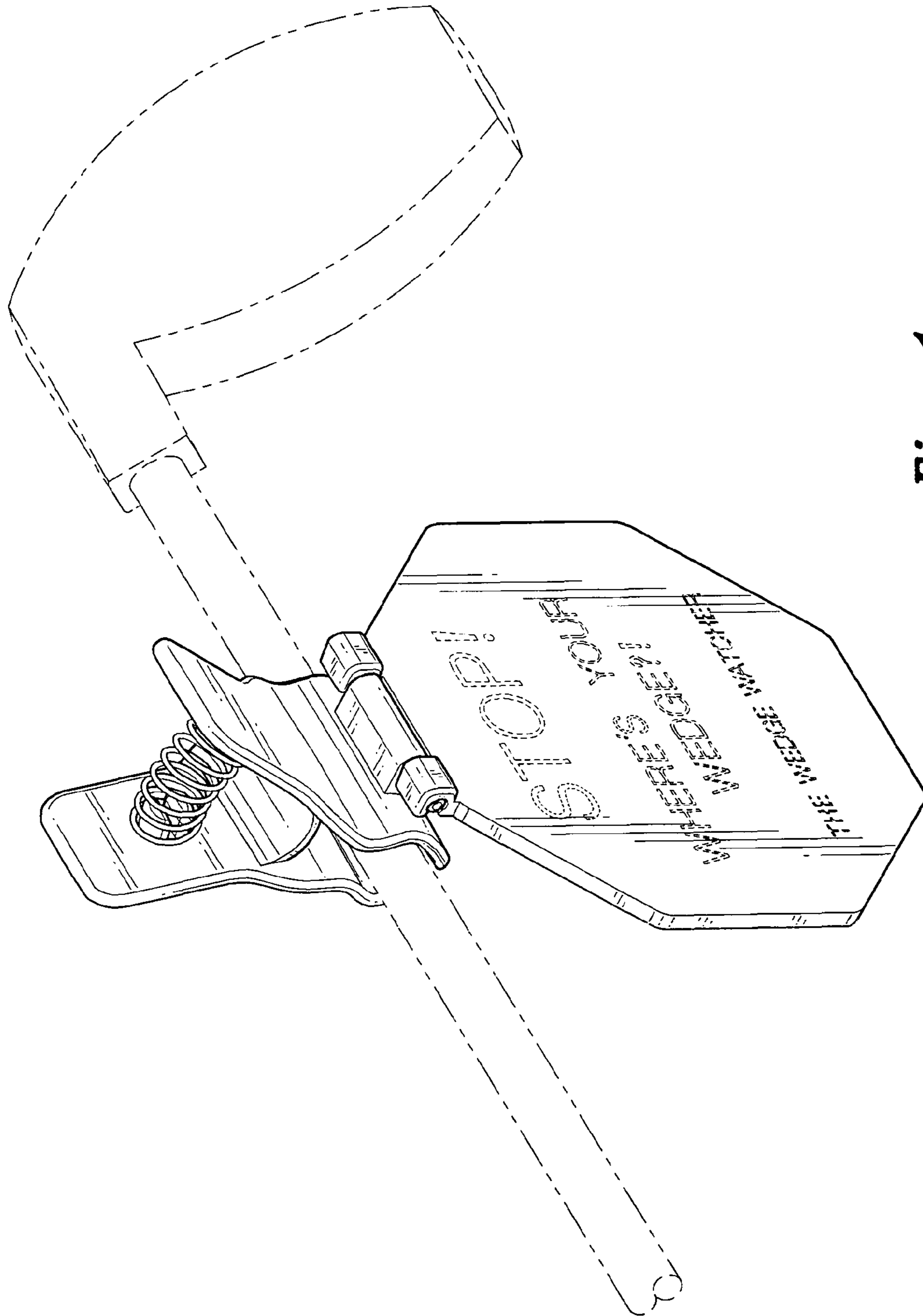
FIG. 5 is a top view thereof; and,

FIG. 6 is a bottom view thereof.

The broken line showing of the golf club in FIG. 1 and the indicia in FIGS. 1 and 2 is for illustrative purposes only and forms no part of the claimed design.

**1 Claim, 4 Drawing Sheets**

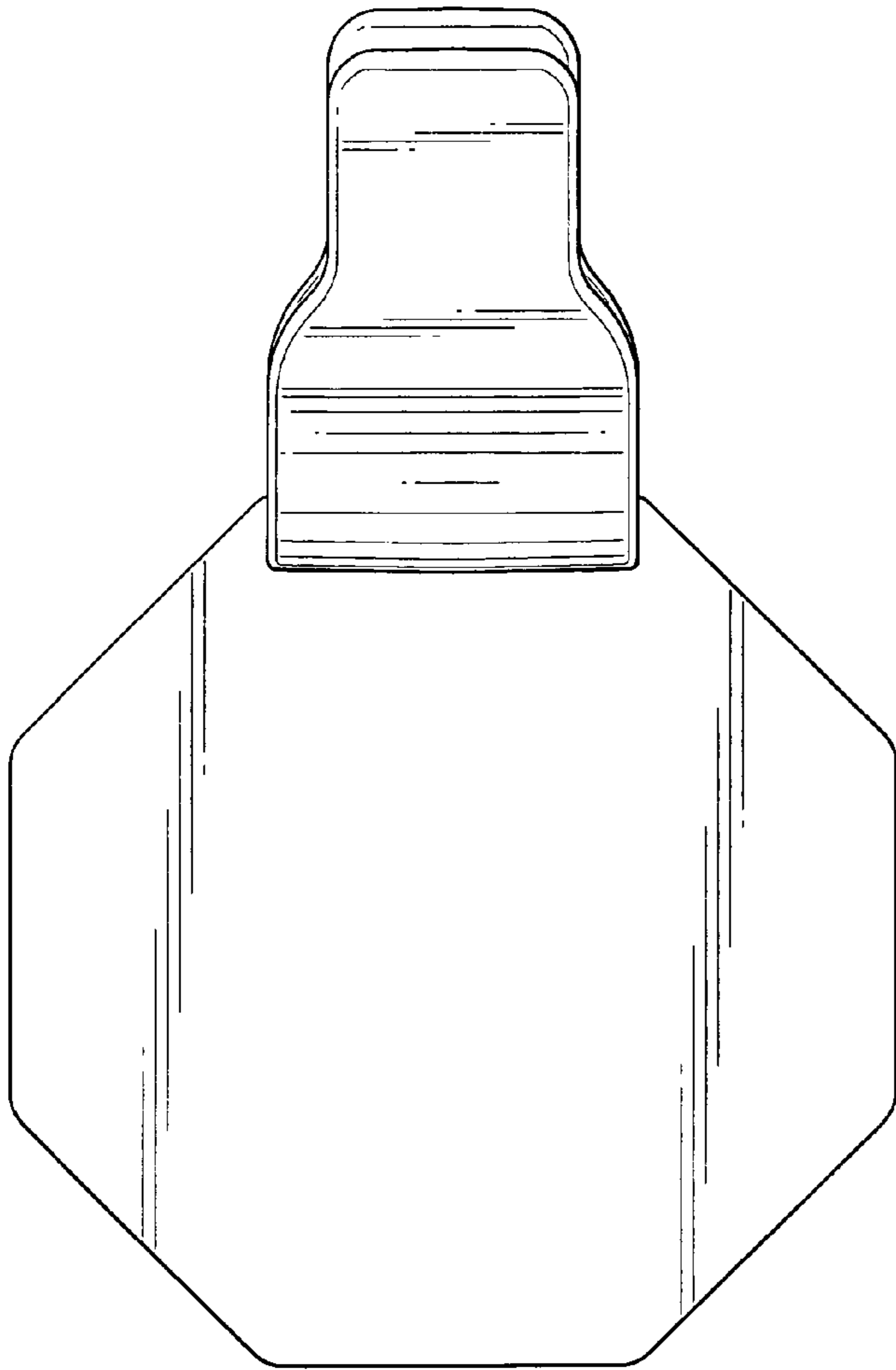




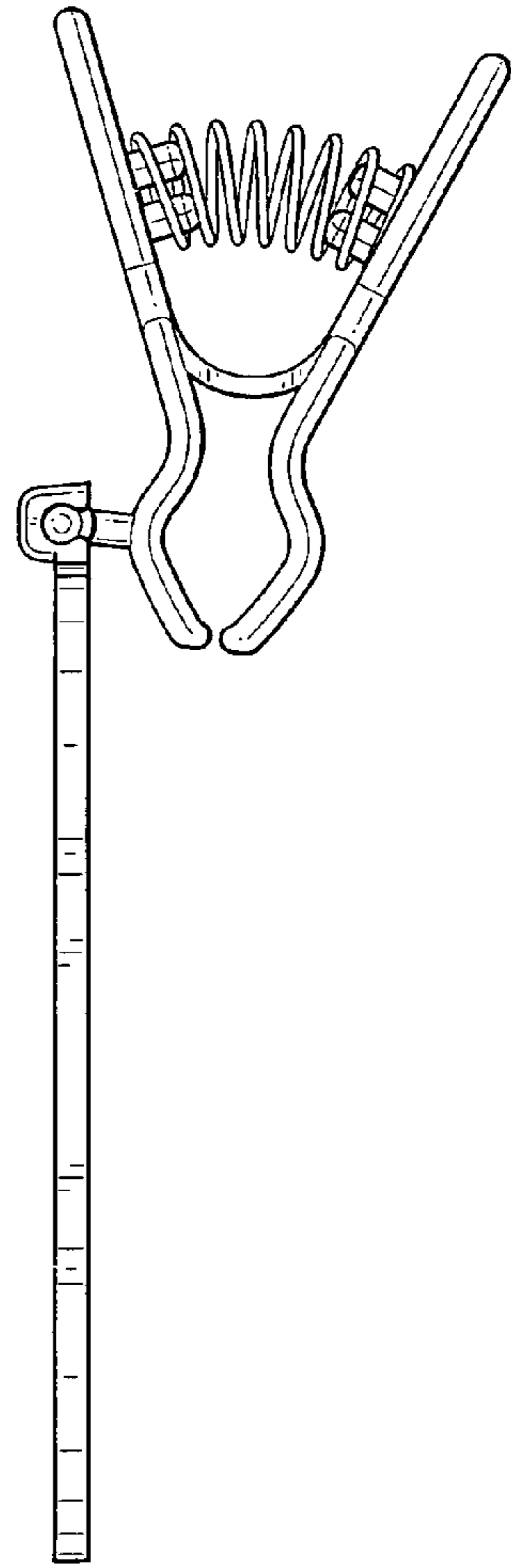
**Fig. 1**



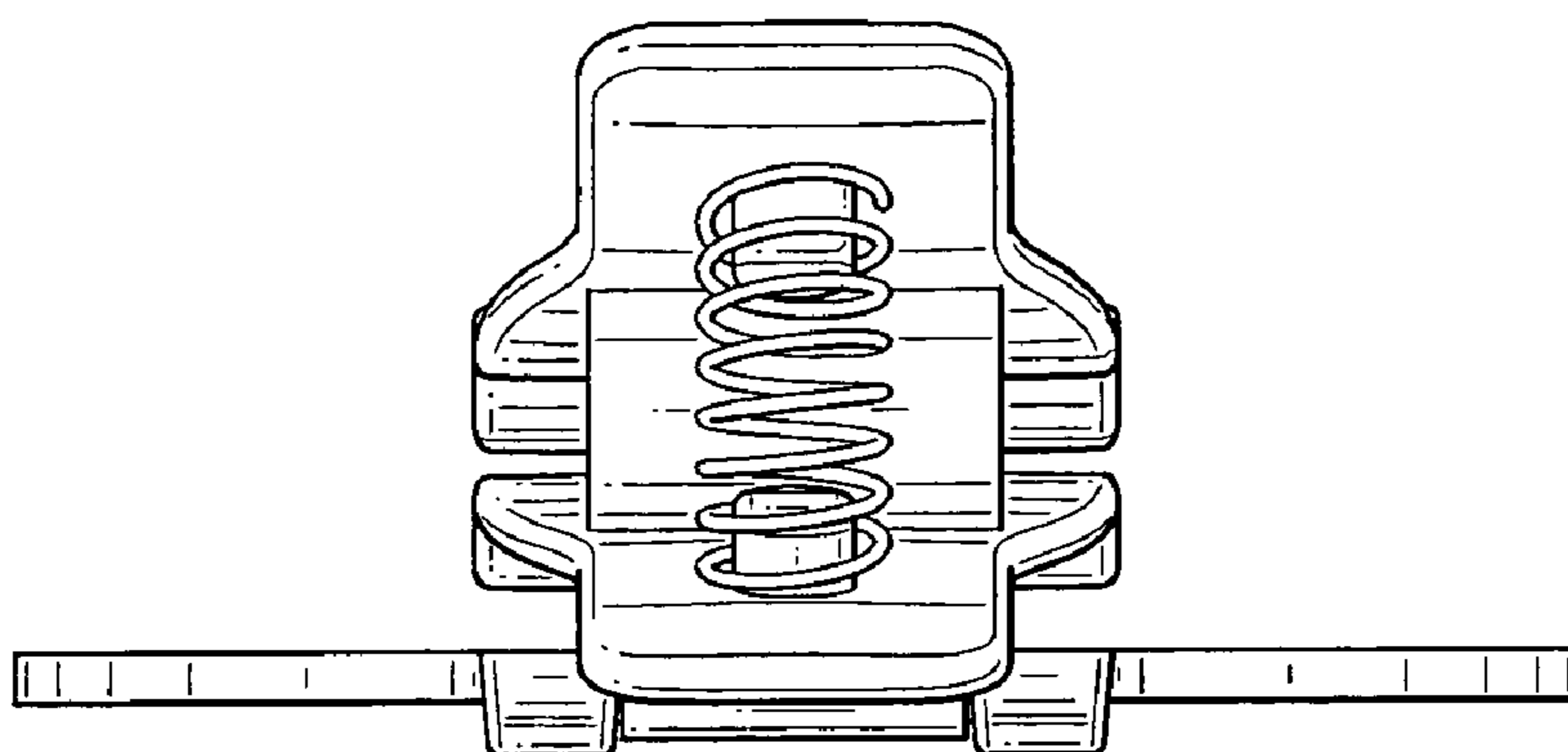
**Fig. 2**



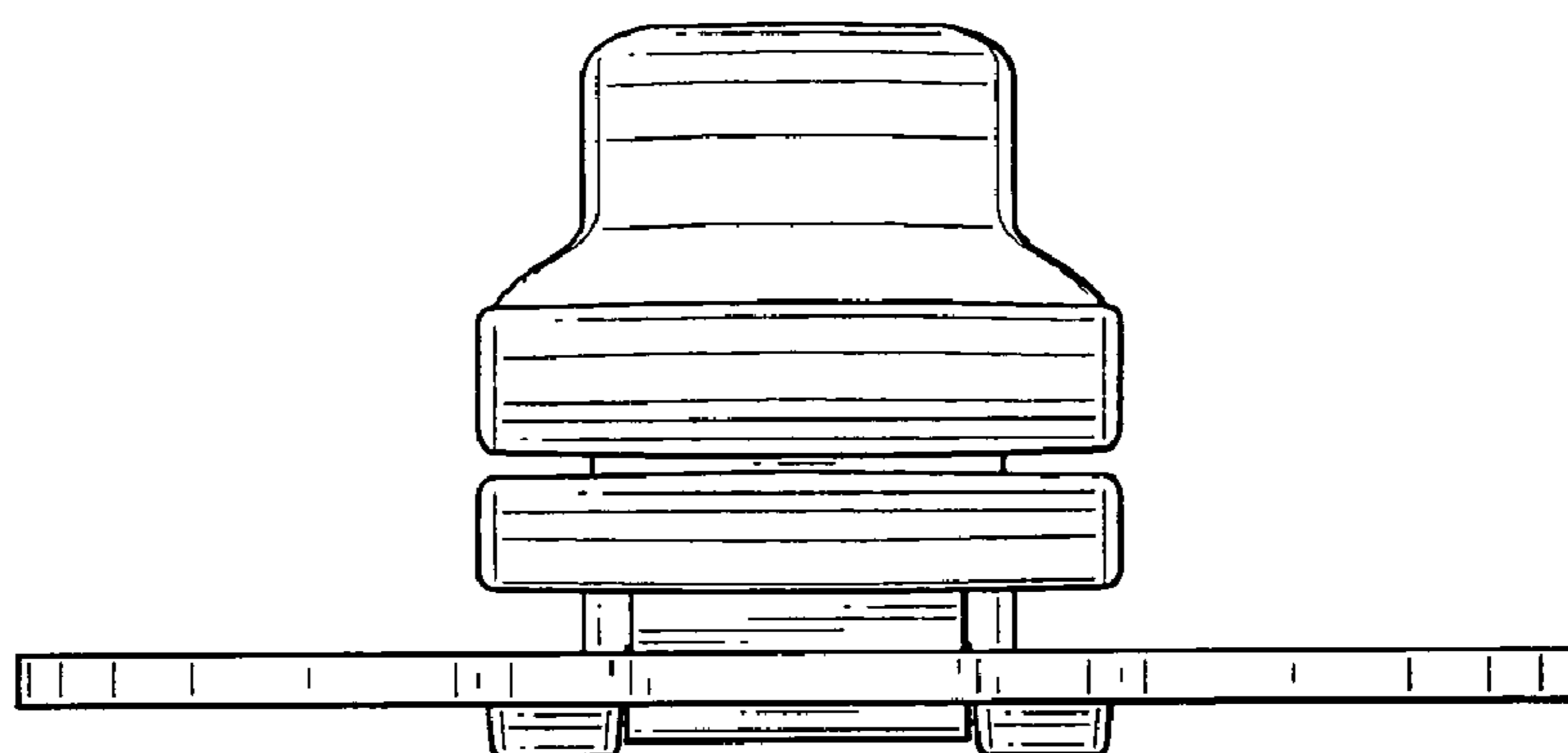
**Fig. 3**



**Fig. 4**



*Fig. 5*



*Fig. 6*