



US00D627846S

(12) **United States Design Patent**
Girard et al.

(10) **Patent No.:** **US D627,846 S**

(45) **Date of Patent:** **** *Nov. 23, 2010**

(54) **NORDIC SKI BINDING**

(75) Inventors: **Francois Girard**, Veyrier du Lac (FR);
Eddy Yelovina, Seynod (FR)

(73) Assignee: **Salomon S.A.S.**, Metz-Tessy (FR)

(*) Notice: This patent is subject to a terminal disclaimer.

(**) Term: **14 Years**

(21) Appl. No.: **29/359,661**

(22) Filed: **Apr. 14, 2010**

(30) **Foreign Application Priority Data**

Oct. 26, 2009 (EM) DM/072 611

(51) **LOC (9) Cl.** **21-02**

(52) **U.S. Cl.** **D21/773**

(58) **Field of Classification Search** D21/760,
D21/761, 765, 766, 773, 801, 803; 441/65-66,
441/68-69, 72-75, 79; D12/6; 280/11.3,
280/11.31, 601-606, 609-610
See application file for complete search history.

(56) **References Cited**

U.S. PATENT DOCUMENTS

D329,267 S * 9/1992 Arnulf D21/773

5,397,150 A *	3/1995	Commier et al.	280/607
5,480,175 A *	1/1996	Astier et al.	280/607
D425,955 S *	5/2000	Girard et al.	D21/773
6,848,703 B2 *	2/2005	Godde et al.	280/607
D537,140 S *	2/2007	Battistoni	D21/773
D538,372 S	3/2007	Bonnemere	D21/773
7,393,000 B2 *	7/2008	Resch et al.	280/604
7,744,113 B2 *	6/2010	Farges	280/618
2002/0014757 A1 *	2/2002	Silva	280/607
2002/0096860 A1 *	7/2002	Lowe	280/602

* cited by examiner

Primary Examiner—Janice E Seeger

Assistant Examiner—Zenia I Bennett

(74) *Attorney, Agent, or Firm*—Terence P. O'Brien

(57) **CLAIM**

We claim the ornamental design for a Nordic ski binding, as shown and described.

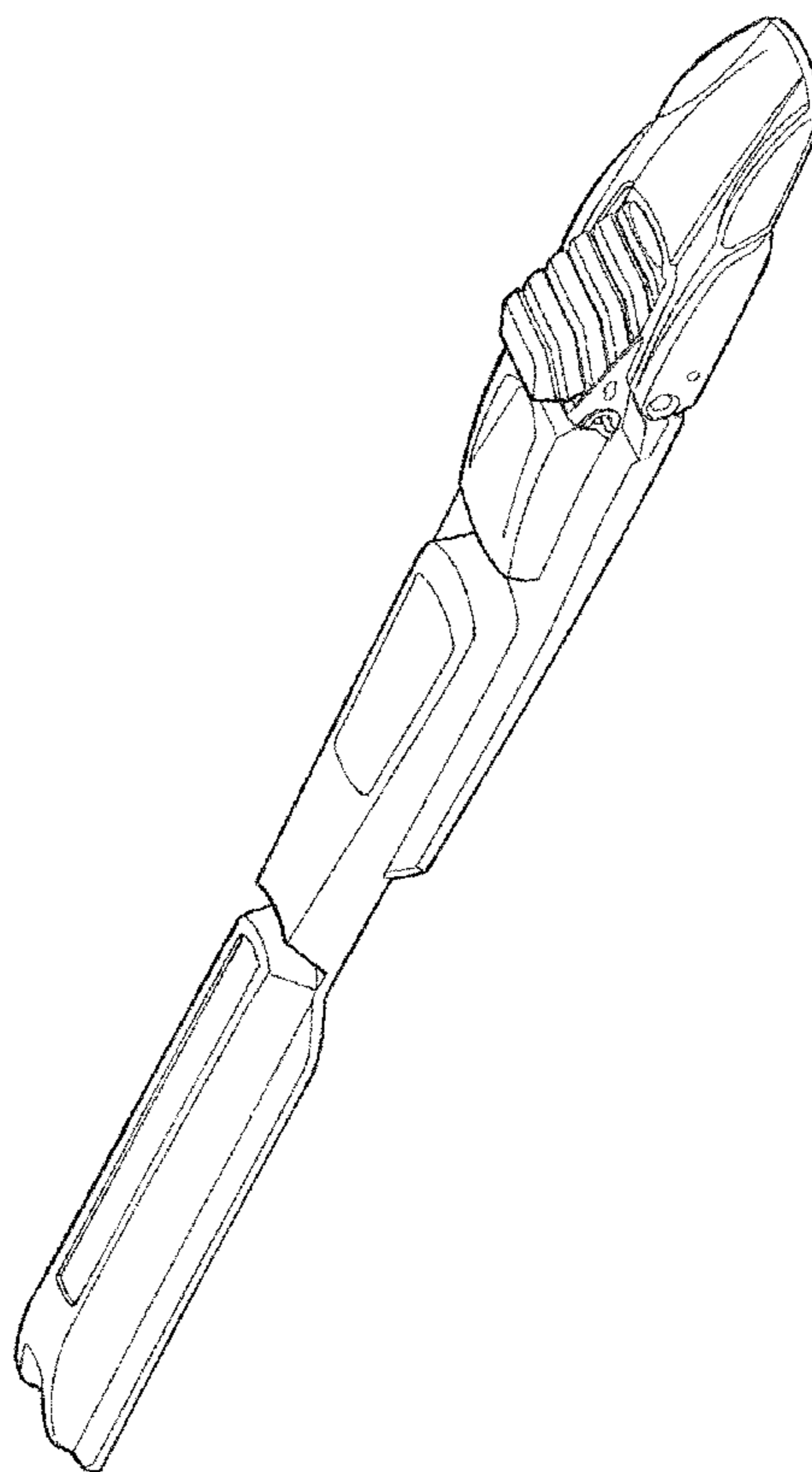
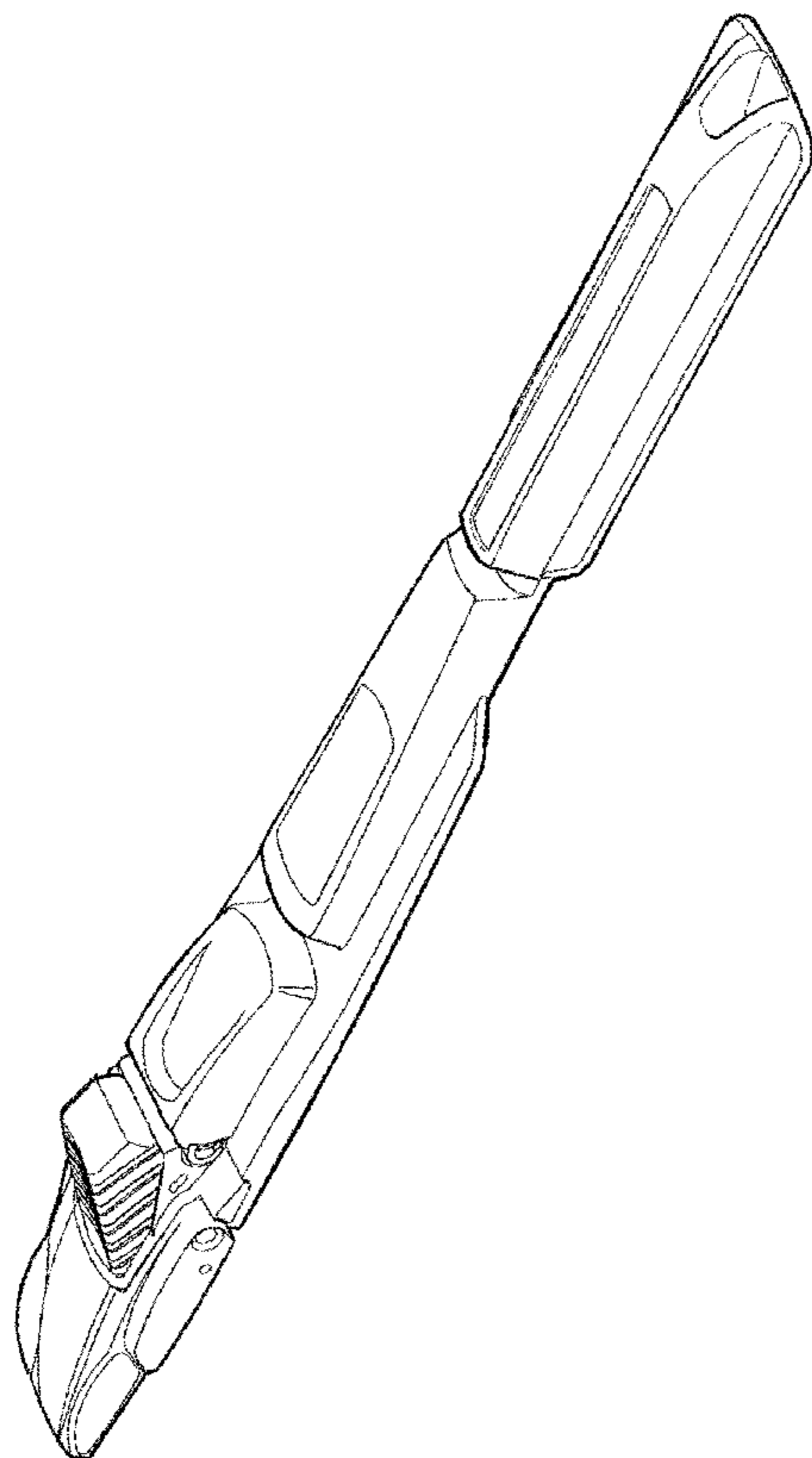
DESCRIPTION

FIG. 1 is a top, front, side perspective view of a Nordic ski binding;

FIG. 2 is a top, rear, side perspective view of the Nordic ski binding of FIG. 1;

FIG. 3 is a top view of the Nordic ski binding of FIG. 1; and,
FIG. 4 is a side view of the Nordic ski binding of FIG. 1

1 Claim, 3 Drawing Sheets



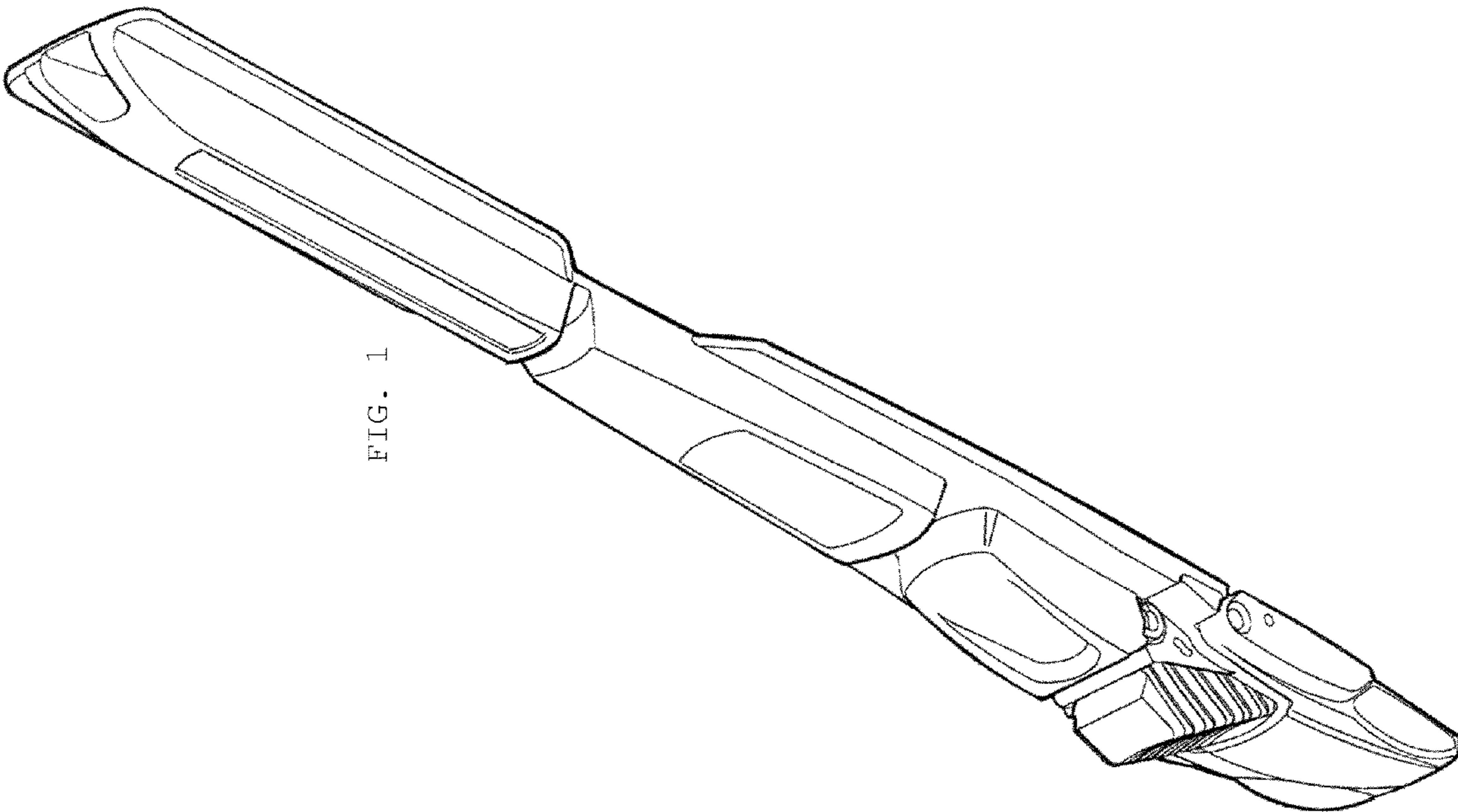


FIG. 1

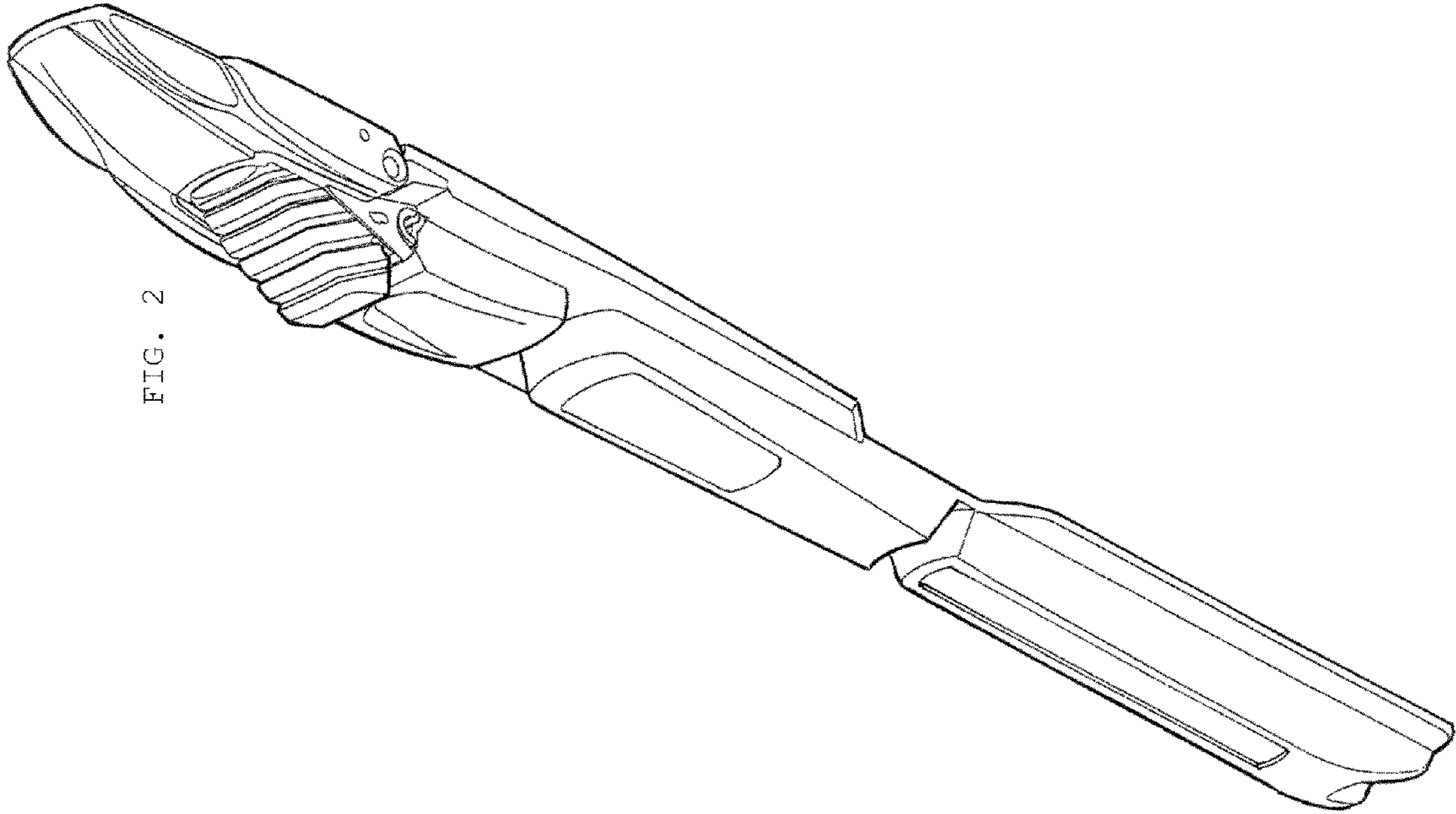


FIG. 2

FIG. 4

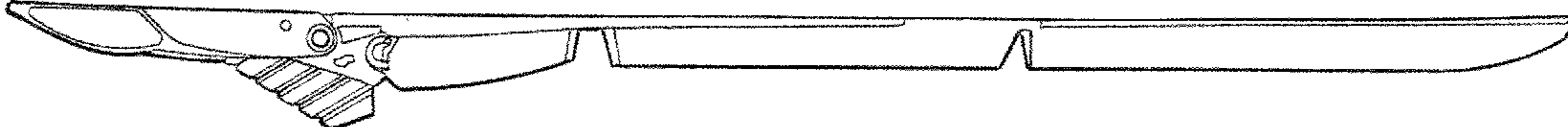


FIG. 3

