



US00D627843S

(12) **United States Design Patent**
Kuan et al.

(10) **Patent No.:** **US D627,843 S**
(45) **Date of Patent:** **** Nov. 23, 2010**

(54) **GOLF CLUB HEAD**

D616,512 S 5/2010 Mickelson et al.
D617,860 S * 6/2010 Foster et al. D21/752

(75) Inventors: **Jimmy H. Kuan**, West Covina, CA (US); **Nathaniel J. Radcliffe**, Huntington Beach, CA (US)

OTHER PUBLICATIONS

“Hibore XL Driver,” Golf Equipment Universal Catalogue, Cleveland Golf, 2007, p. 162.

(73) Assignee: **SRI Sports Limited**, Kobe-shi (JP)

* cited by examiner

(**) Term: **14 Years**

Primary Examiner—Mitchell I Siegel

(21) Appl. No.: **29/367,581**

(74) *Attorney, Agent, or Firm*—Oliff & Berridge, PLC

(22) Filed: **Aug. 10, 2010**

(57) **CLAIM**

(51) **LOC (9) Cl.** **21-02**

The ornamental design for a golf club head, as shown and described.

(52) **U.S. Cl.** **D21/759**

(58) **Field of Classification Search** D21/733,
D21/752, 759; 473/324–331, 343–346
See application file for complete search history.

DESCRIPTION

(56) **References Cited**

FIG. 1 is a front elevational view of a golf club head embodying the inventive design.

U.S. PATENT DOCUMENTS

FIG. 2 is a top plan view thereof.

5,154,423	A	10/1992	Antonious	
D343,665	S *	1/1994	Feche et al.	D21/752
5,989,134	A	11/1999	Antonious	
6,123,627	A	9/2000	Antonious	
6,960,141	B2	11/2005	Noguchi et al.	
D518,129	S *	3/2006	Poynor et al.	D21/759
D523,498	S	6/2006	Chen et al.	
D534,229	S *	12/2006	Barez et al.	D21/752
7,147,573	B2	12/2006	DiMarco	
D538,363	S	3/2007	Schweigert et al.	
D541,364	S *	4/2007	Barez et al.	D21/759
D562,422	S *	2/2008	Roberts et al.	D21/759
D565,676	S	4/2008	Rae et al.	
D576,699	S *	9/2008	Pergande et al.	D21/759
7,470,200	B2	12/2008	Sanchez	
D584,369	S	1/2009	Hooley et al.	
D585,950	S	2/2009	Tierney et al.	
D588,217	S *	3/2009	Jertson et al.	D21/752
D588,659	S *	3/2009	Jertson et al.	D21/752

FIG. 3 is a toe-side elevational view thereof.

FIG. 4 is a heel-side elevational view thereof.

FIG. 5 is a rear perspective view thereof.

FIG. 6 is a rear elevational view thereof.

FIG. 7 is a heel-side front perspective view thereof.

FIG. 8 is a bottom plan view thereof.

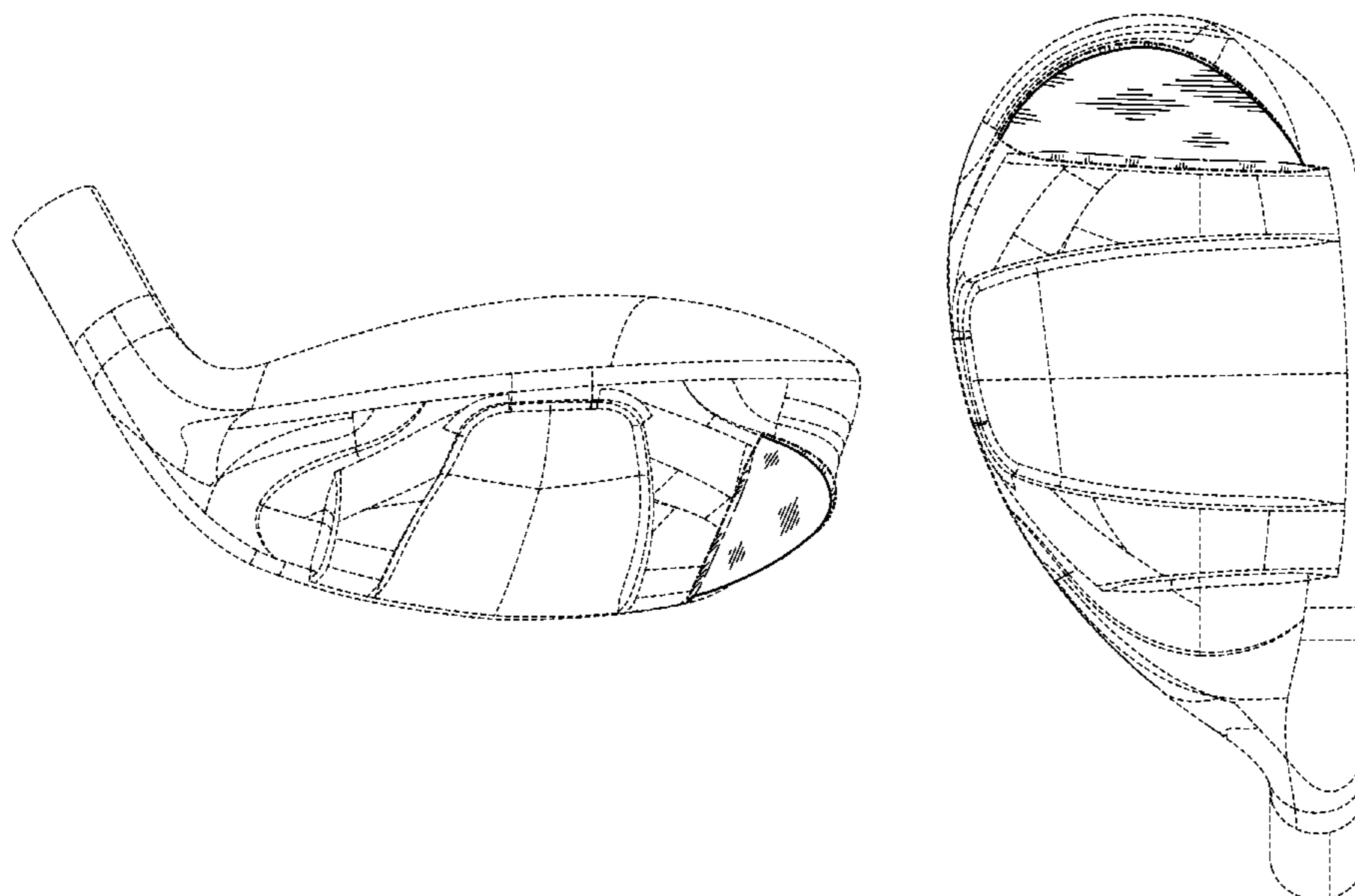
FIG. 9 is a toe-side front perspective view thereof.

FIG. 10 is a toe-side bottom perspective view thereof; and,

FIG. 11 is a heel-side bottom perspective view thereof.

The dash-dot chain lines immediately adjacent the shaded areas represent the bounds of the claimed design, while all other broken lines are directed to environment and are for illustrative purposes only; the dash-dot chain lines and other broken lines form no part of the claimed design.

1 Claim, 11 Drawing Sheets



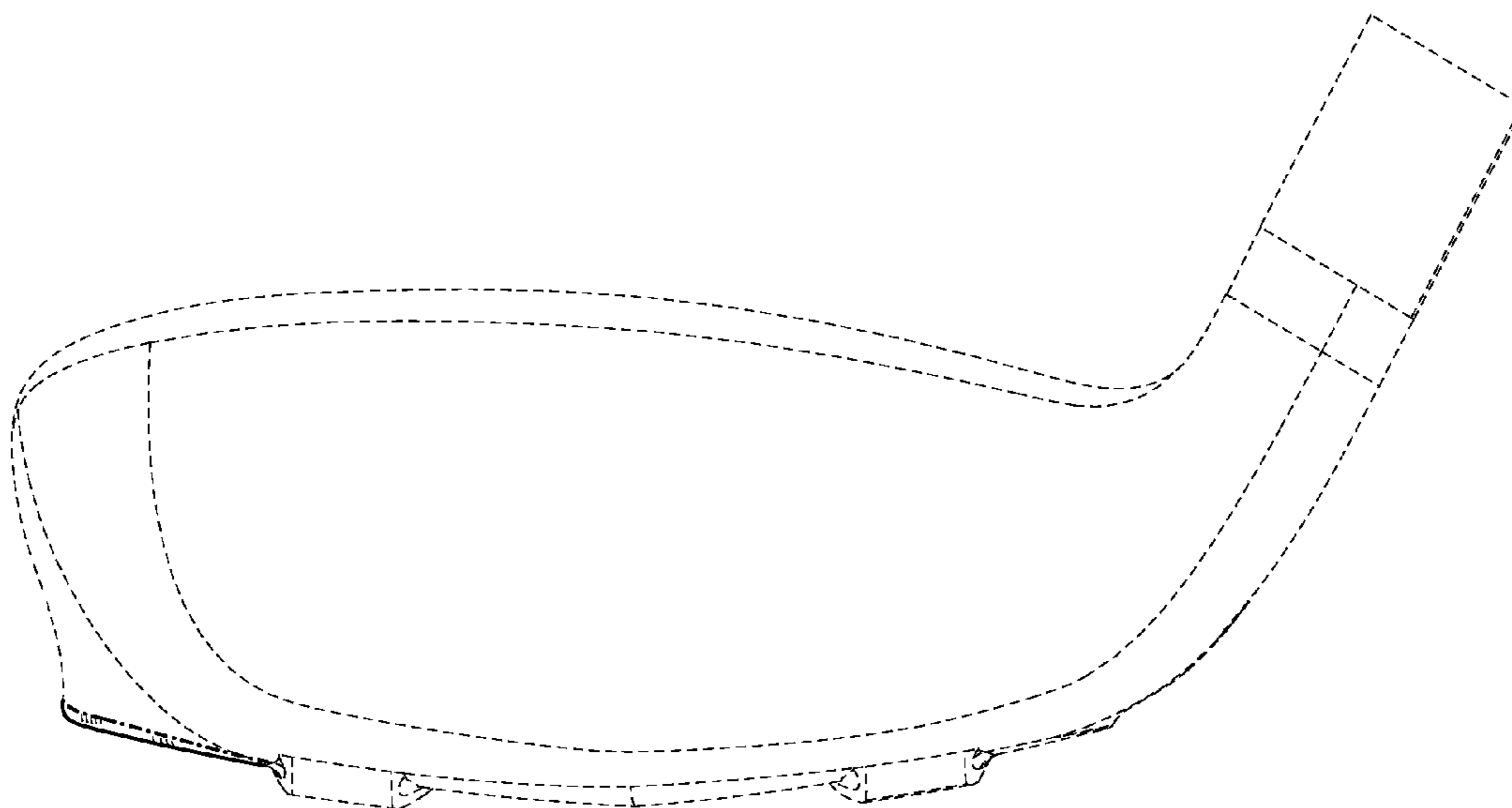


FIG. 1

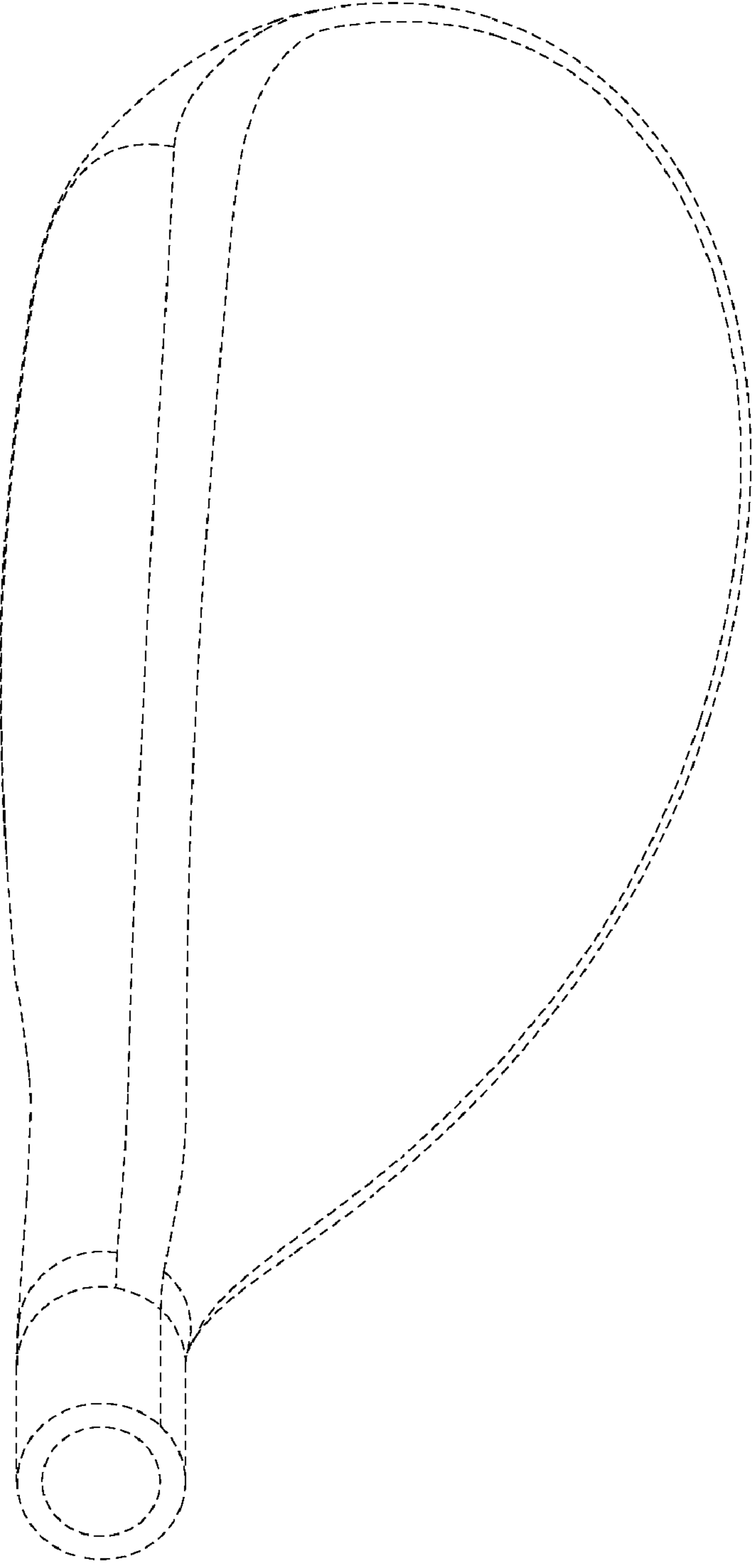


FIG. 2

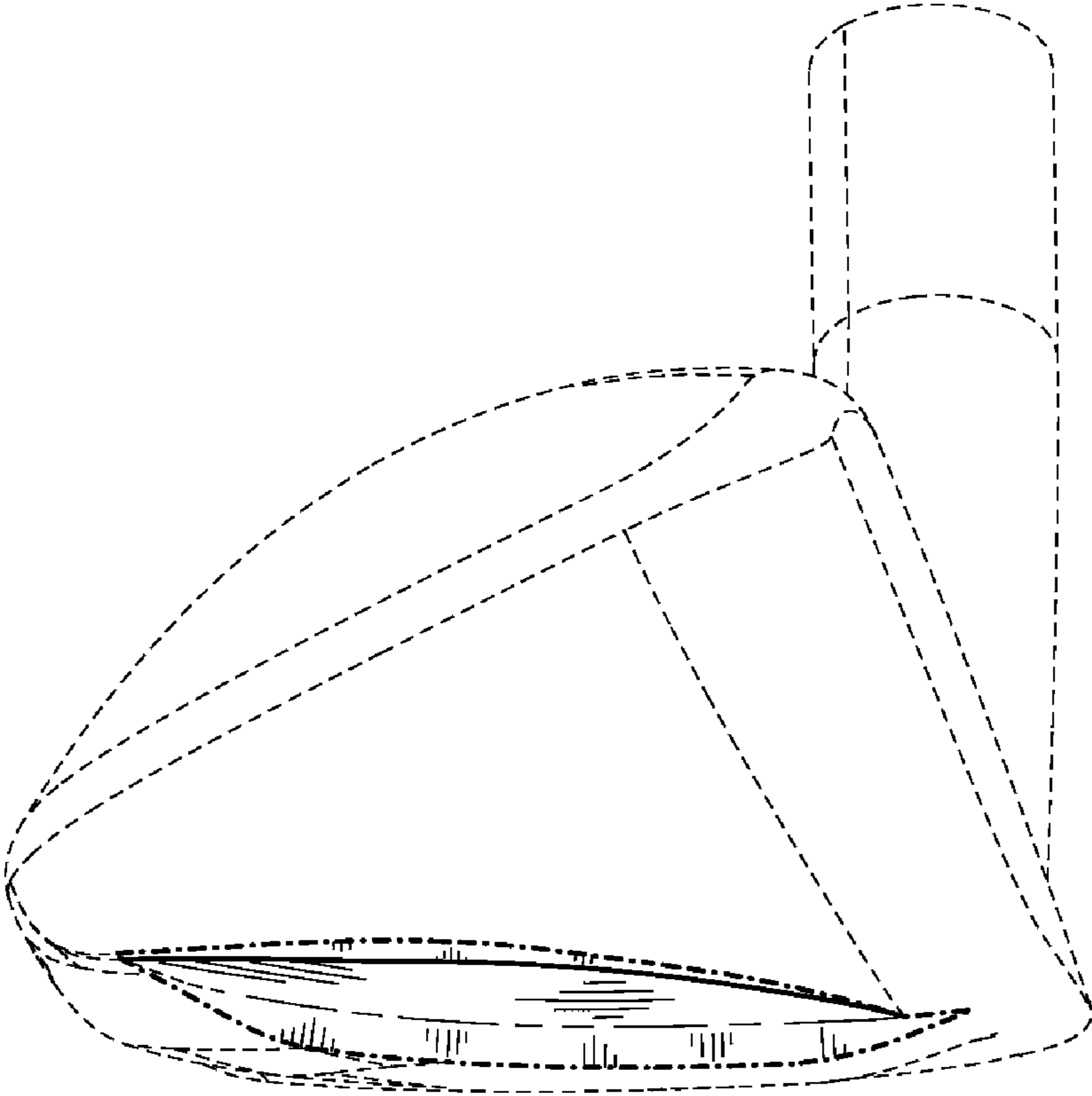


FIG. 3

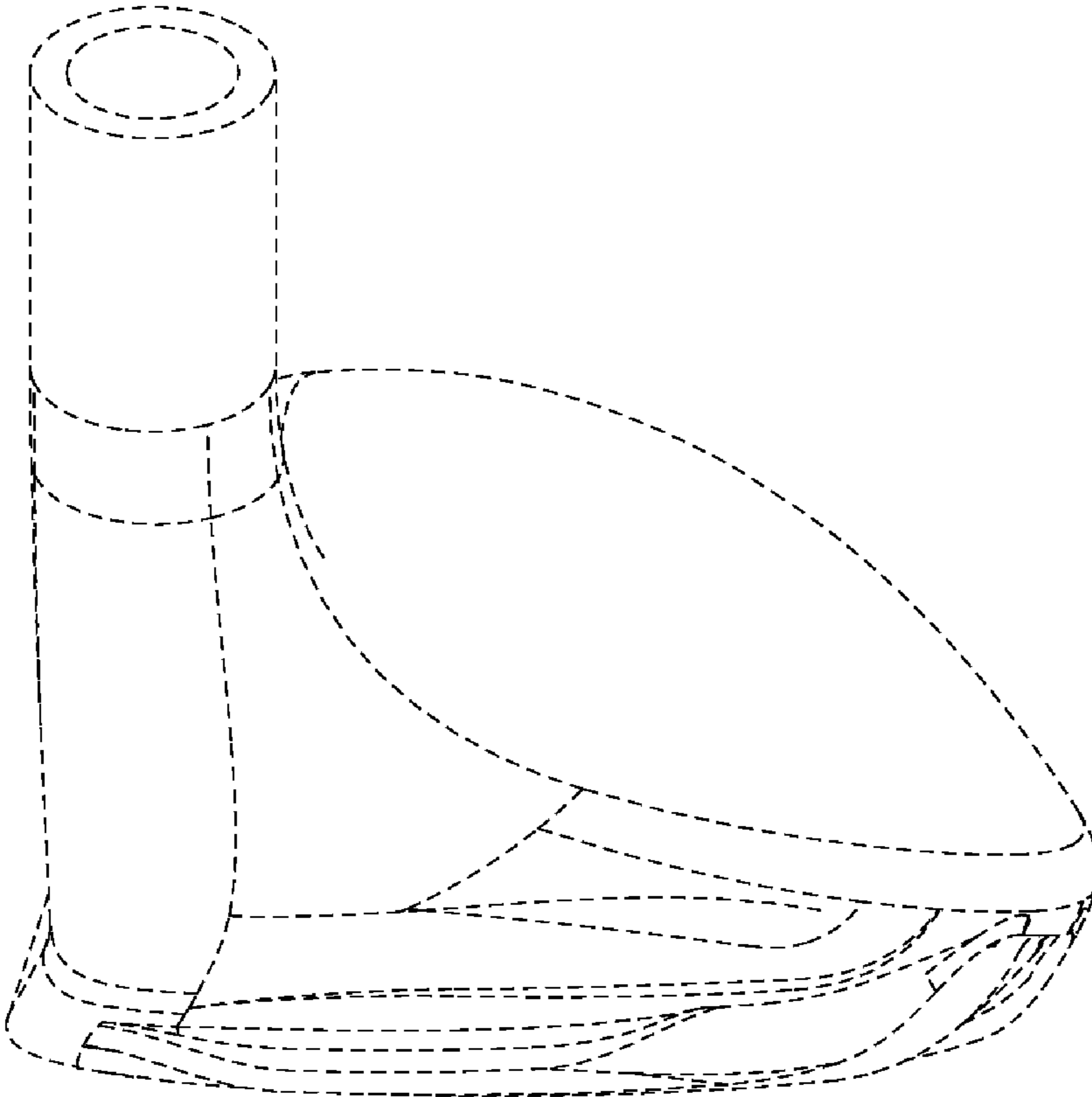


FIG. 4

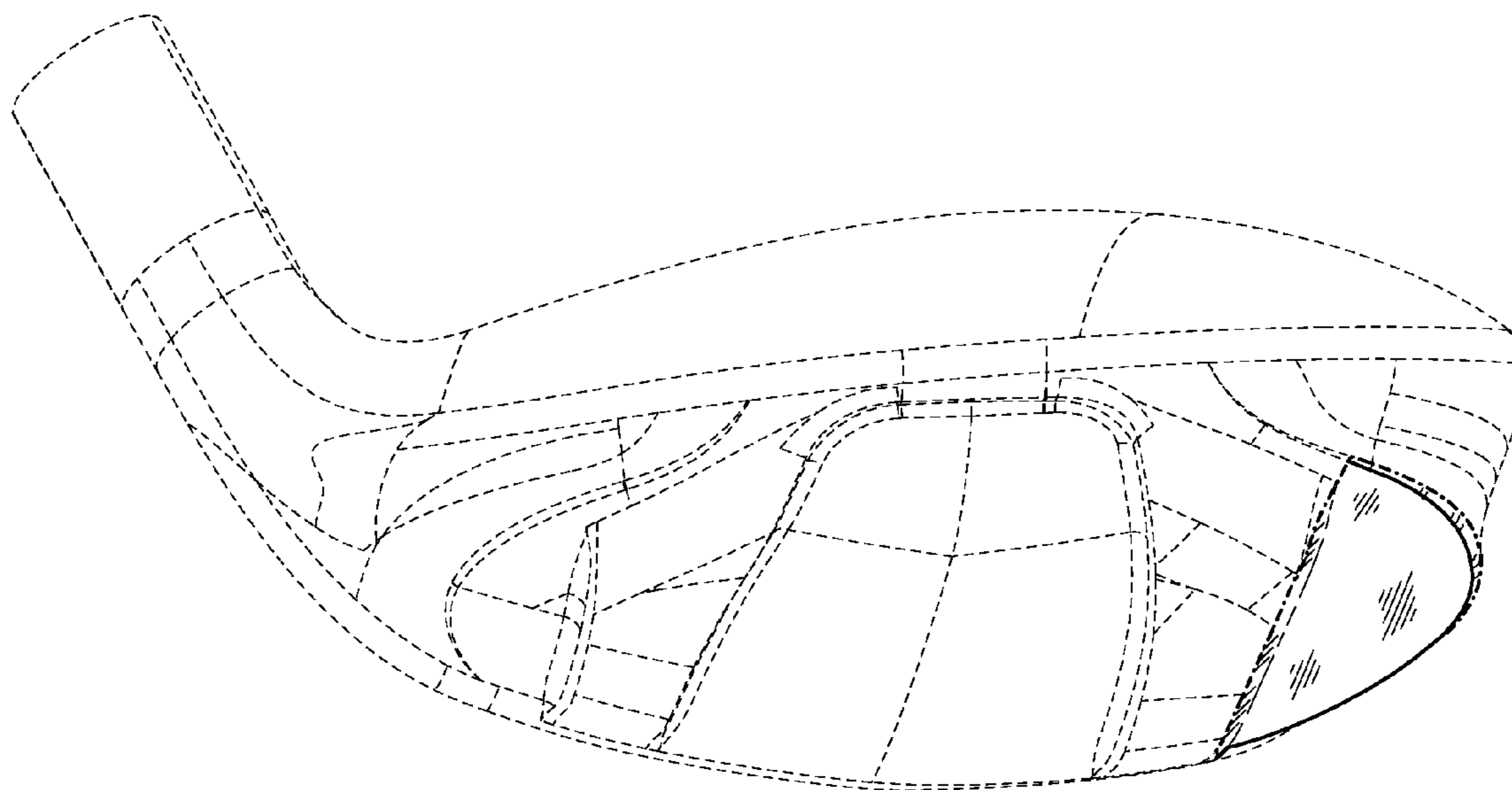


FIG. 5

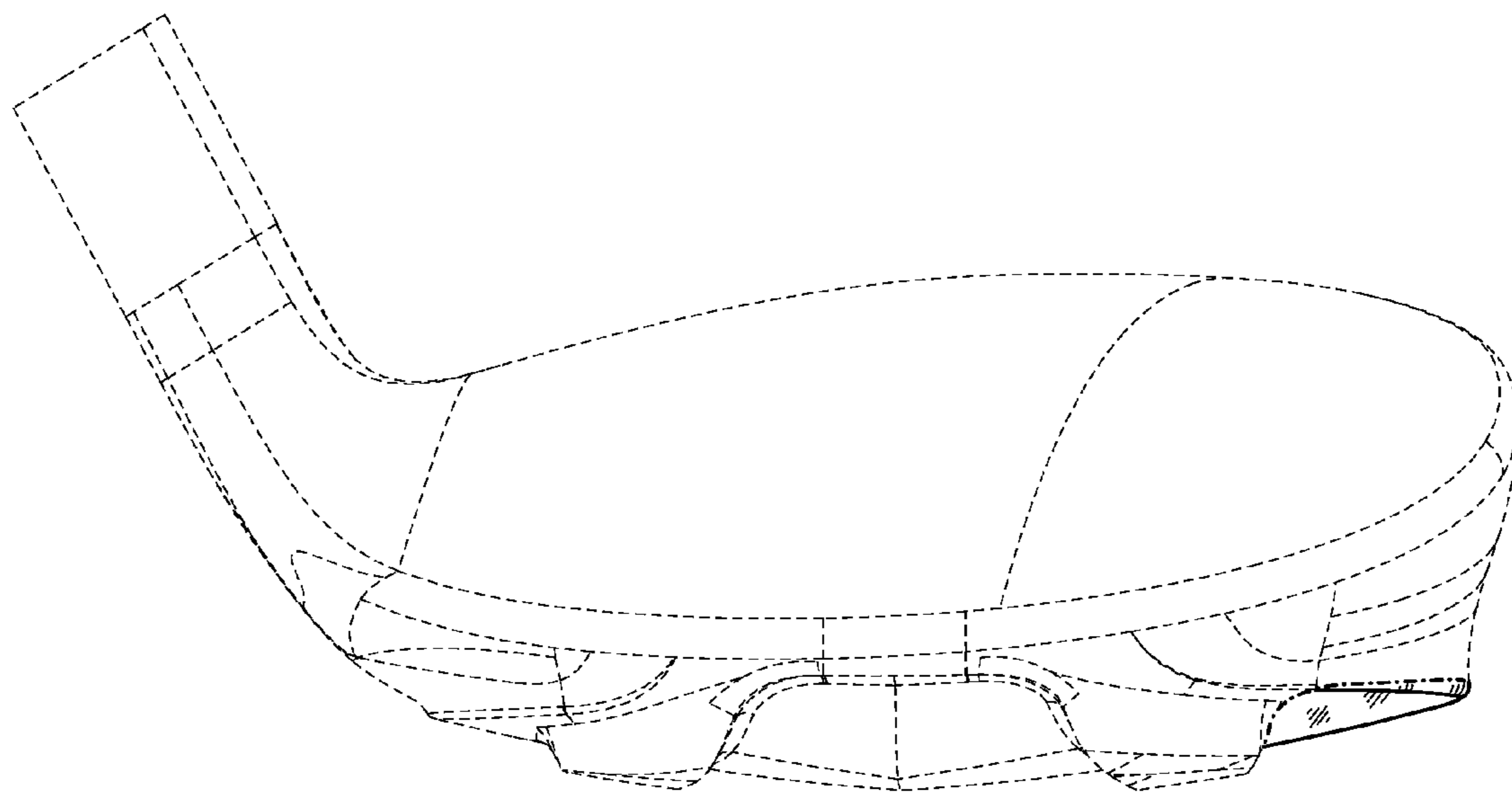


FIG. 6

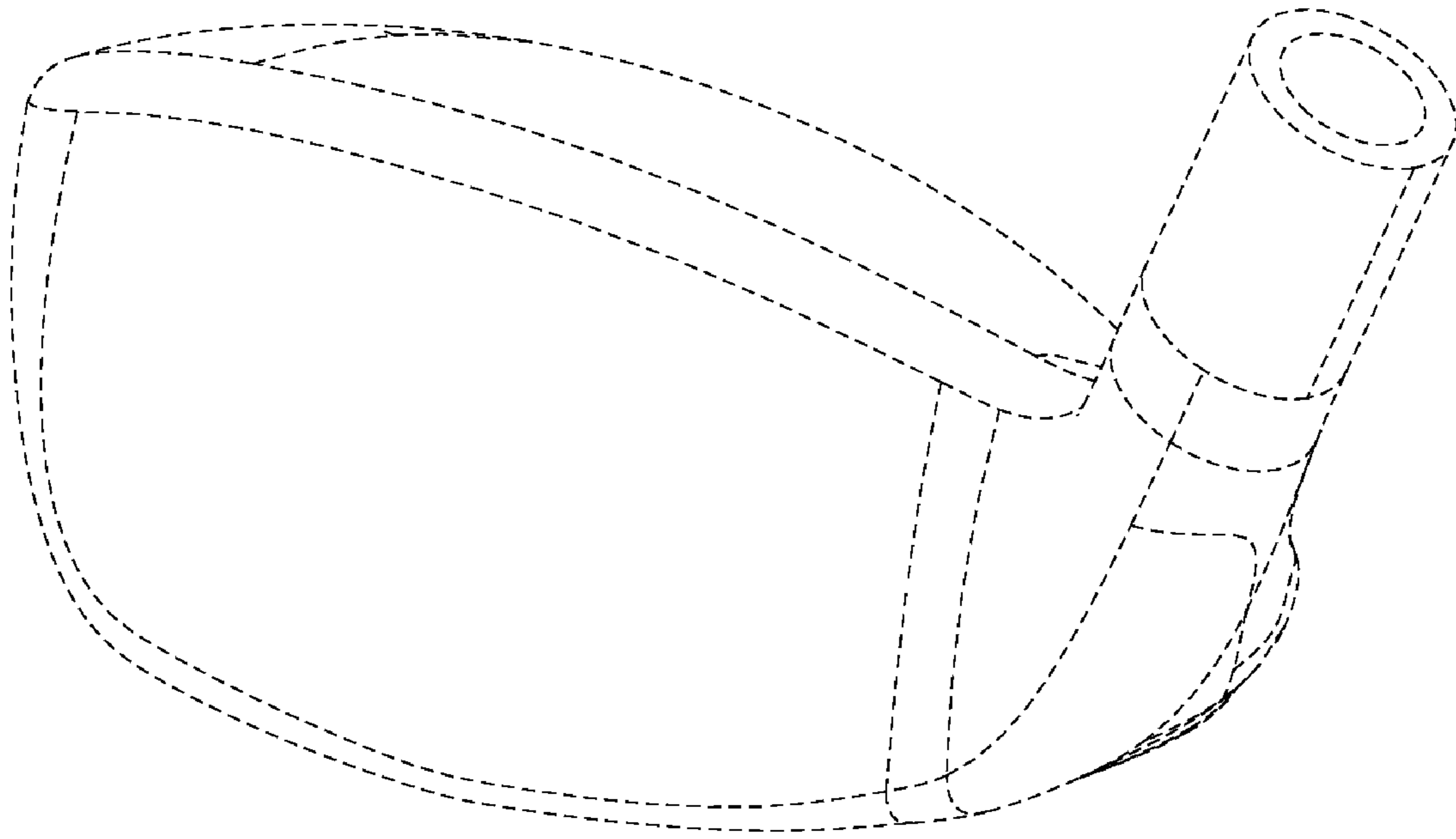


FIG. 7

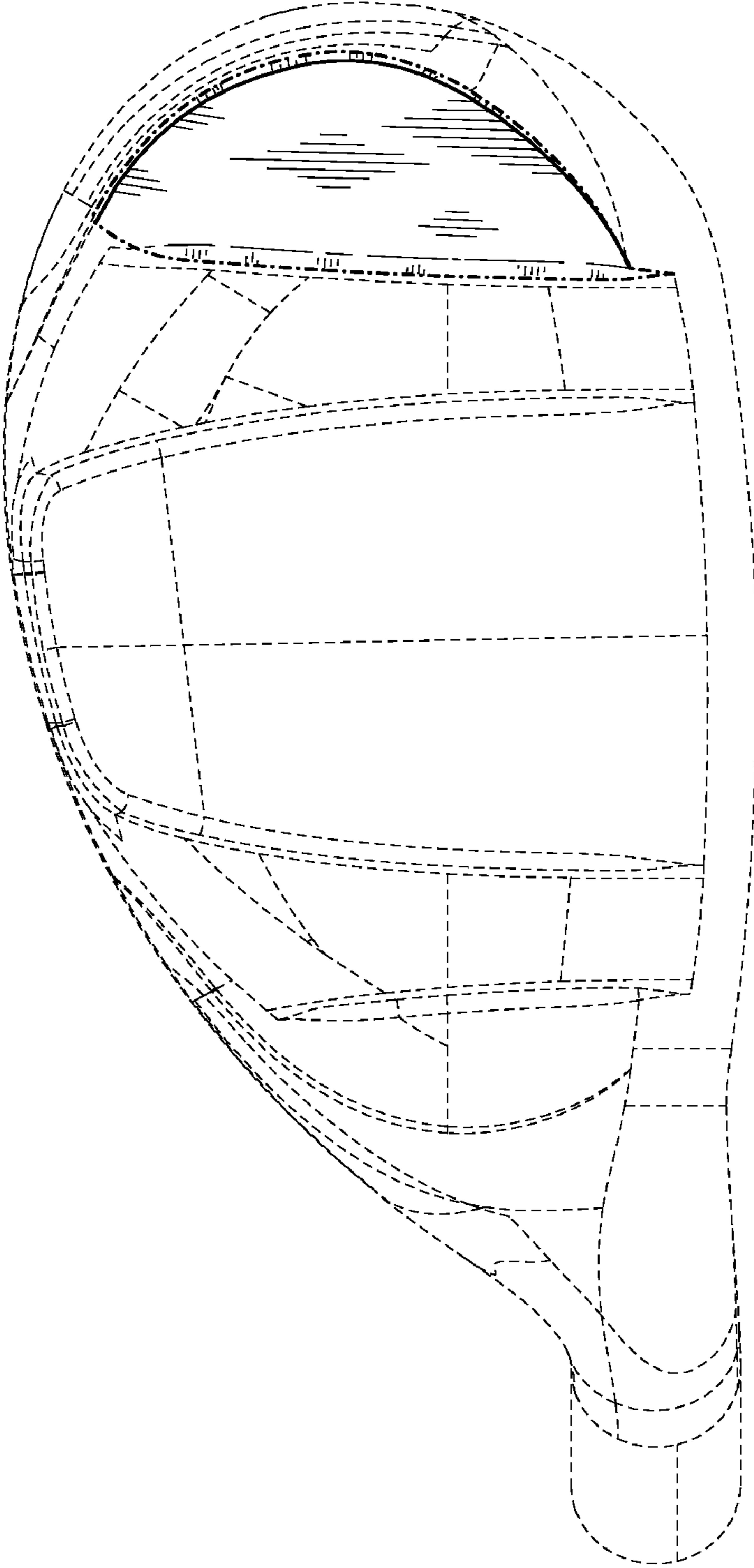


FIG. 8

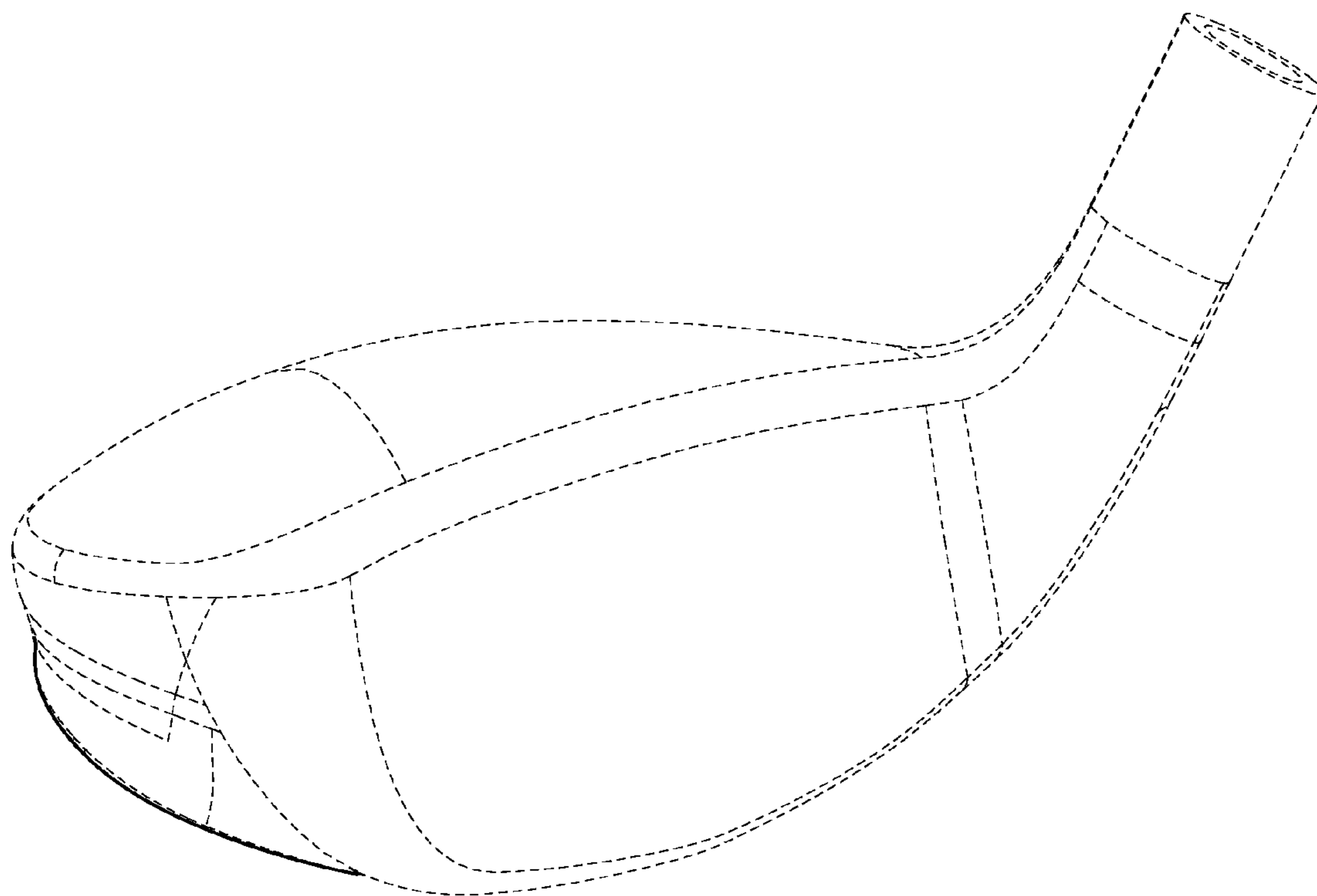


FIG. 9

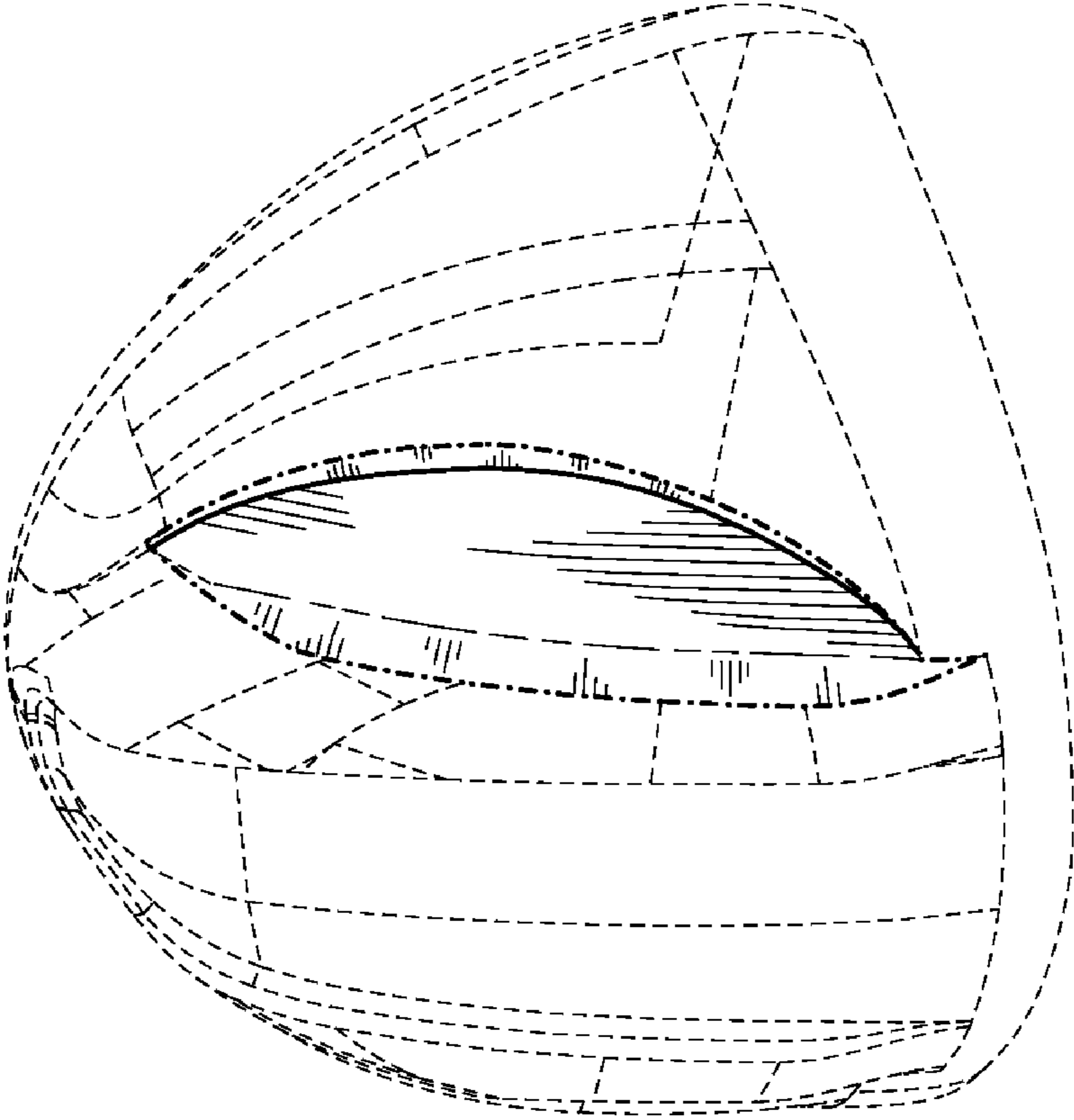


FIG. 10

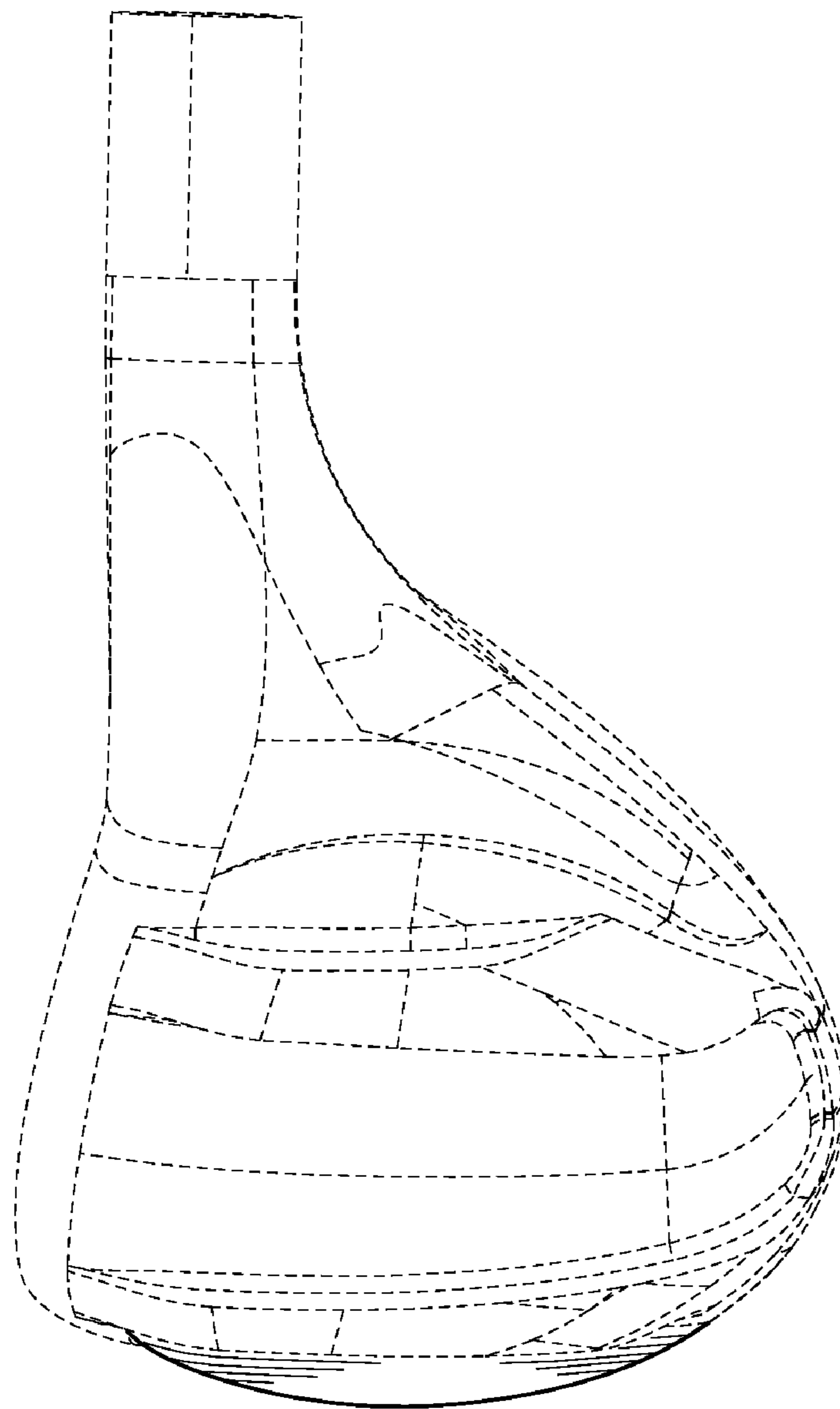


FIG. 11