



US00D627840S

(12) **United States Design Patent**
Cameron

(10) **Patent No.:** **US D627,840 S**

(45) **Date of Patent:** **** Nov. 23, 2010**

(54) **PUTTER HEAD**

(75) Inventor: **Don T. Cameron**, Carlsbad, CA (US)

(73) Assignee: **Acushnet Company**, Fairhaven, MA (US)

(**) Term: **14 Years**

(21) Appl. No.: **29/346,165**

(22) Filed: **Oct. 28, 2009**

(51) **LOC (9) Cl.** **21-02**

(52) **U.S. Cl.** **D21/736**

(58) **Field of Classification Search** D21/736-746;
473/324-331, 340-341, 251-256
See application file for complete search history.

(56) **References Cited**

U.S. PATENT DOCUMENTS

| | | | | |
|--------------|---------|---------------|-------|---------|
| D456,055 S * | 4/2002 | Yerelian | | D21/736 |
| D456,472 S * | 4/2002 | Yerelian | | D21/736 |
| D499,778 S | 12/2004 | Cameron | | |
| D501,233 S * | 1/2005 | Thomas | | D21/736 |
| D502,518 S * | 3/2005 | Smart | | D21/736 |
| D509,273 S * | 9/2005 | Morris et al. | | D21/742 |
| D529,109 S * | 9/2006 | Jones | | D21/743 |
| D532,846 S | 11/2006 | Lee et al. | | |
| D552,697 S | 10/2007 | Johnson | | |
| D553,207 S | 10/2007 | Johnson | | |

| | | | | |
|--------------|---------|----------------|-------|---------|
| D581,473 S * | 11/2008 | Thomas | | D21/746 |
| D595,370 S | 6/2009 | Ines et al. | | |
| D600,295 S | 9/2009 | Meeks | | |
| D600,759 S * | 9/2009 | Cokewell | | D21/736 |
| D600,762 S | 9/2009 | Serrano et al. | | |

* cited by examiner

Primary Examiner—Mitchell I Siegel

(74) *Attorney, Agent, or Firm*—Kristin D. Wheeler

(57) **CLAIM**

The ornamental design for a putter head, as shown and described.

DESCRIPTION

FIG. 1 is a top back heel side perspective view of my new design for a putter head;

FIG. 2 is a back view thereof;

FIG. 3 is a bottom view thereof;

FIG. 4 is a top view thereof;

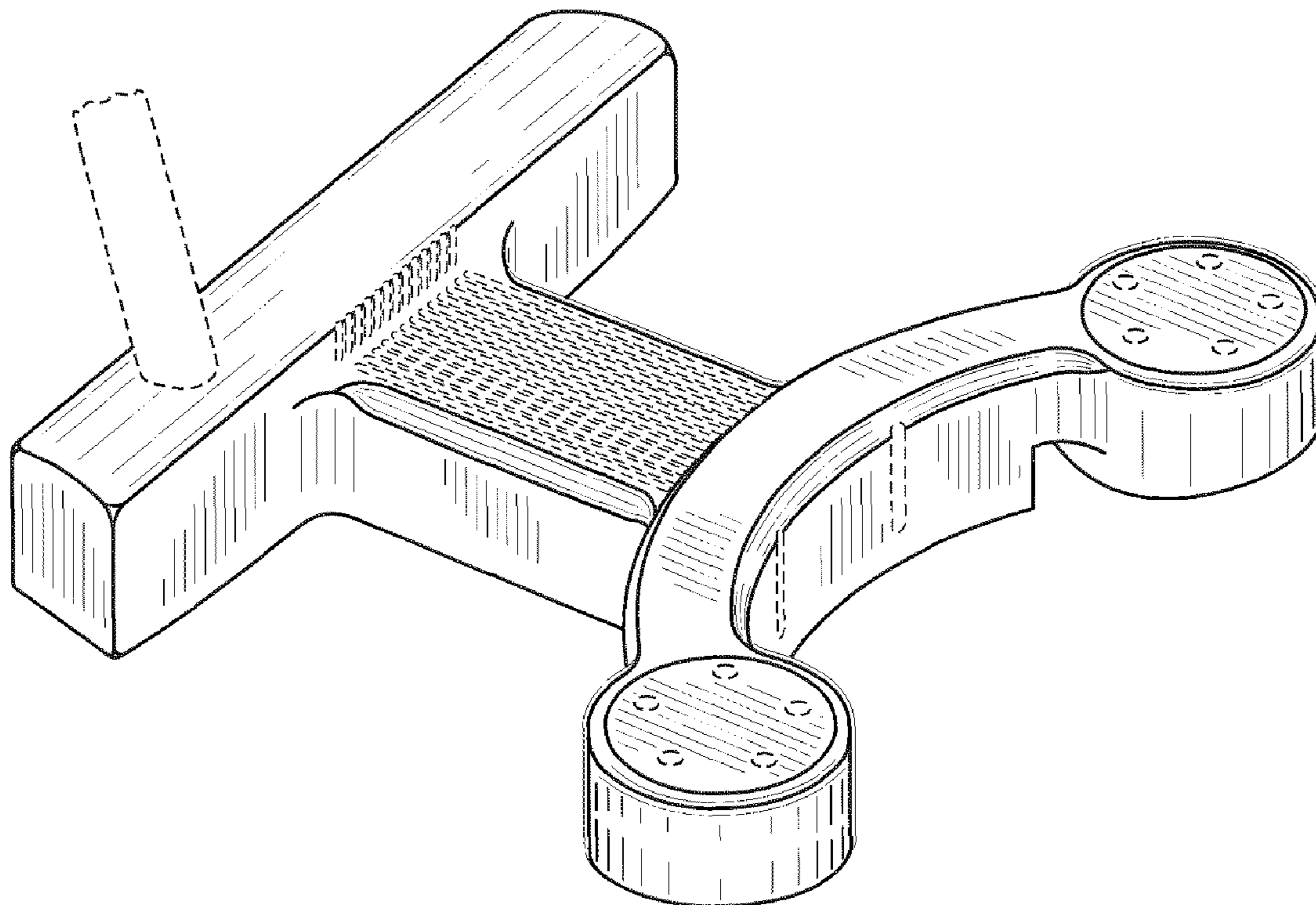
FIG. 5 is a heel side view thereof;

FIG. 6 is a toe side view thereof; and,

FIG. 7 is a front view thereof.

The portions of the club head shown in phantom are for illustrative purposes only and do not form any portion of the claimed design.

1 Claim, 3 Drawing Sheets



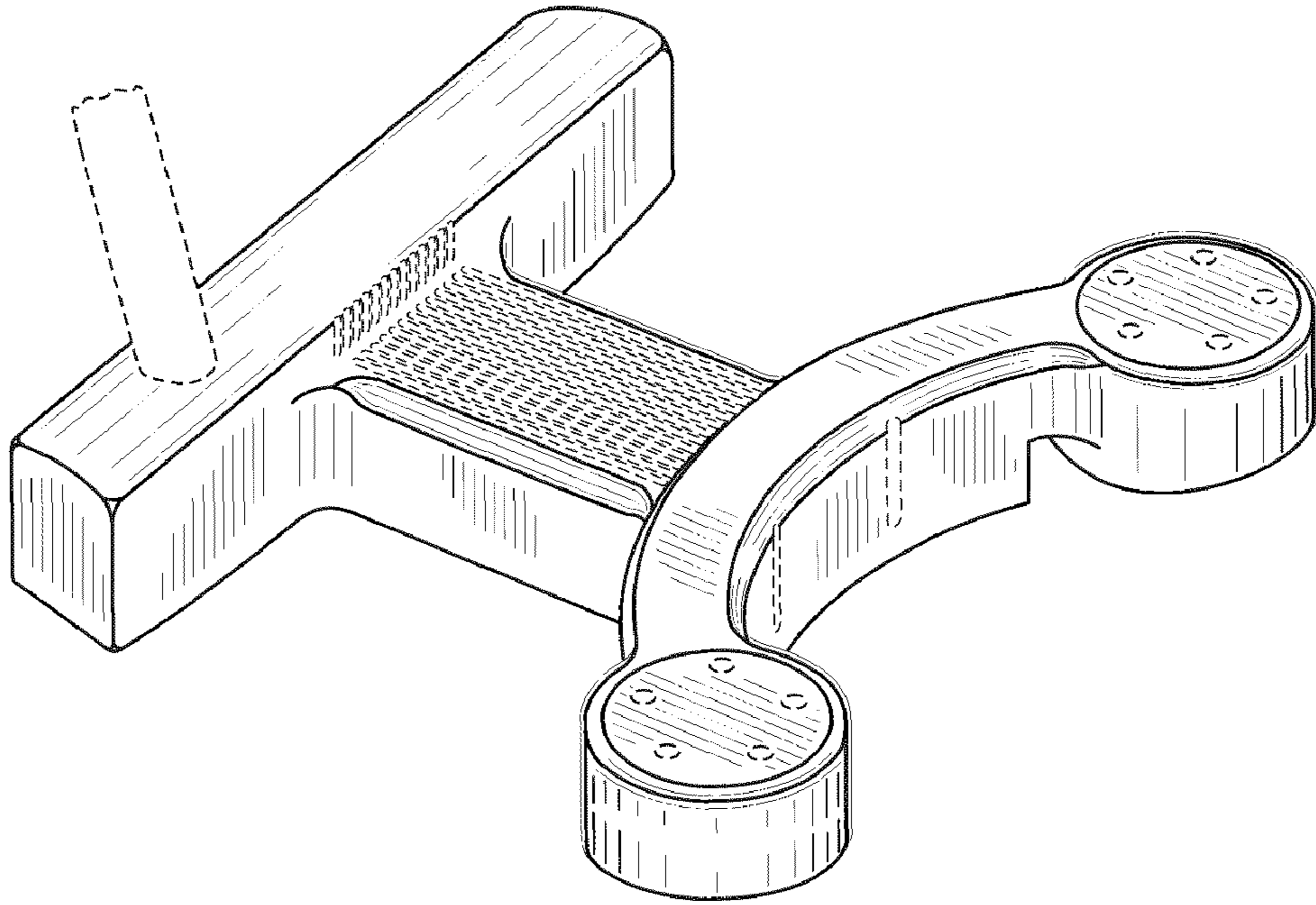


FIG. 1

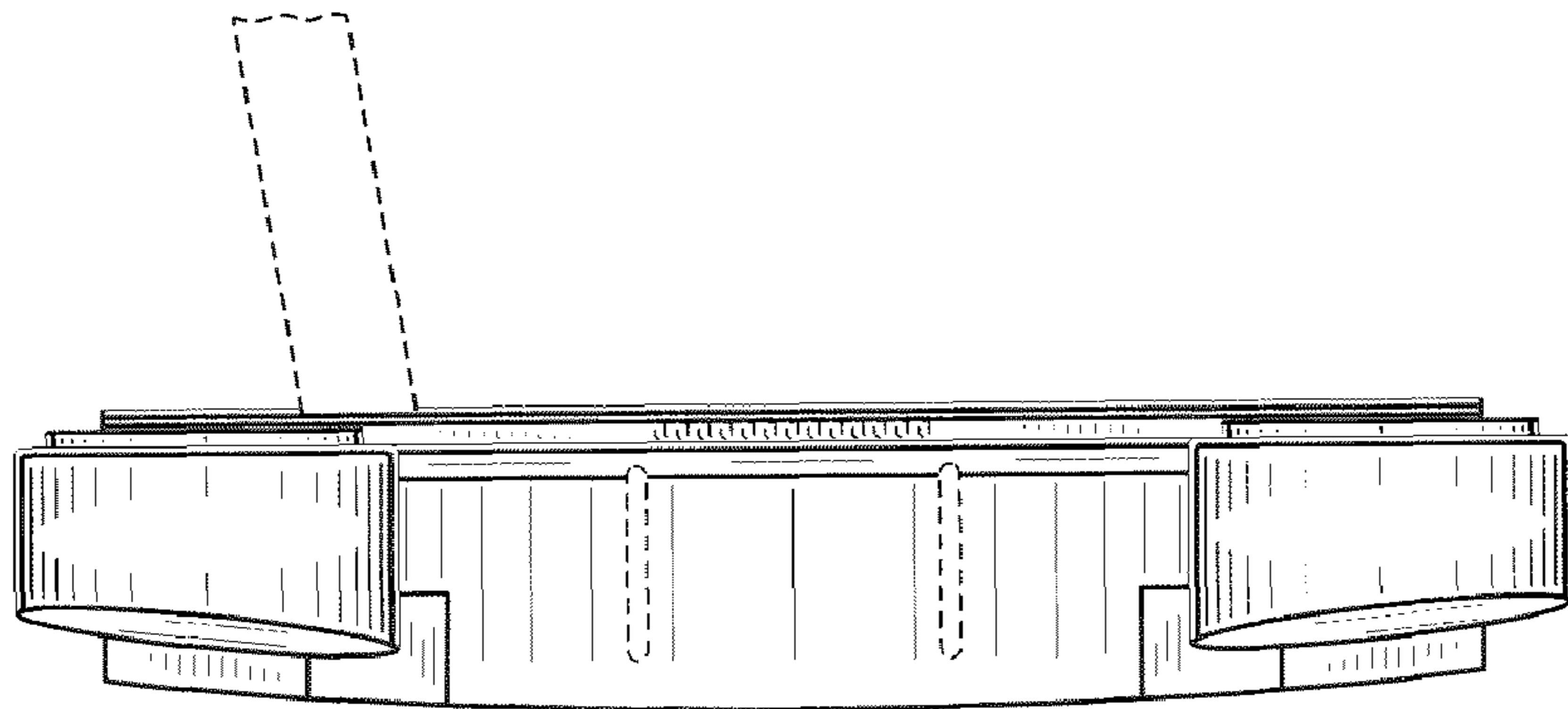


FIG. 2

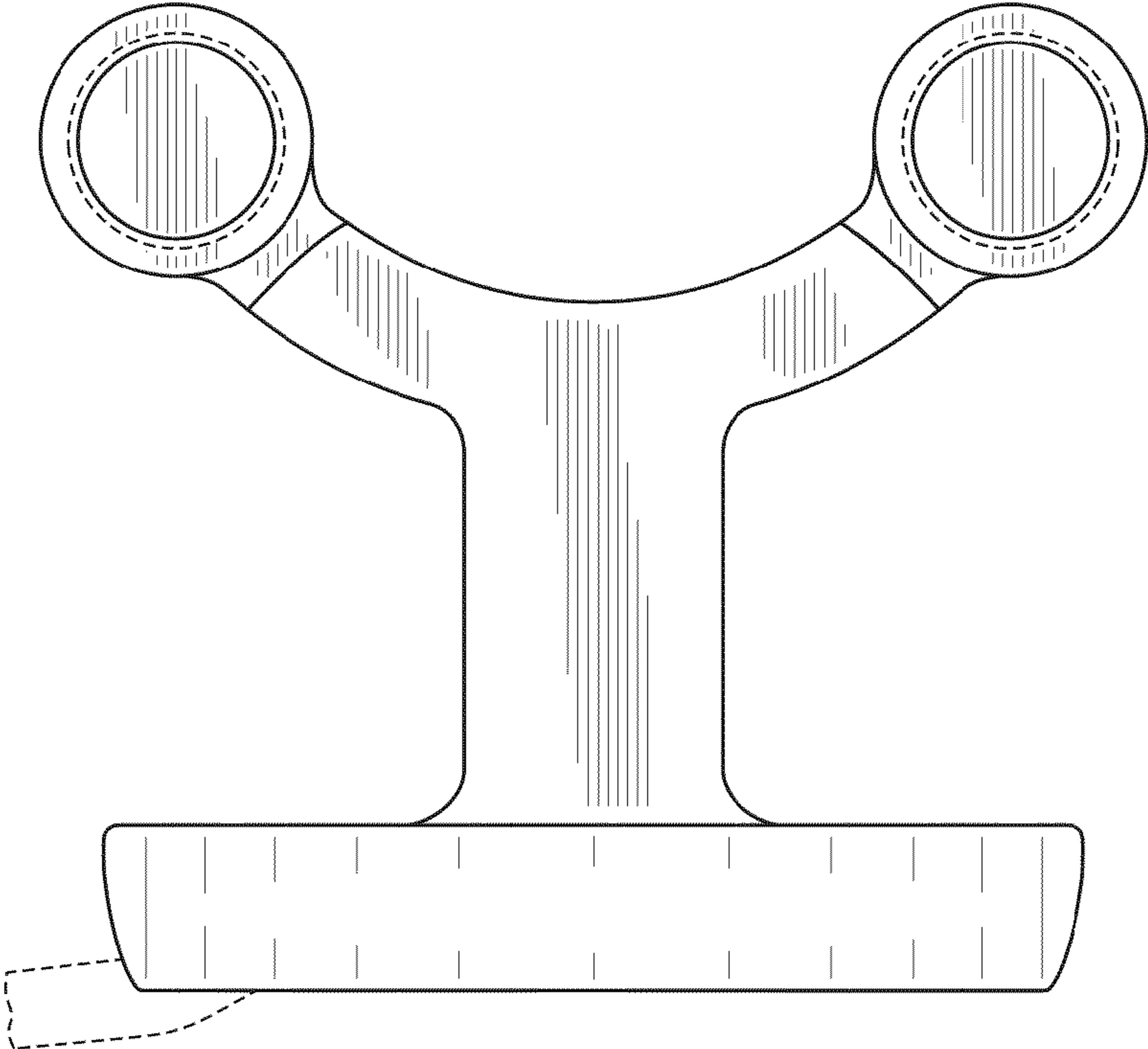


FIG. 3

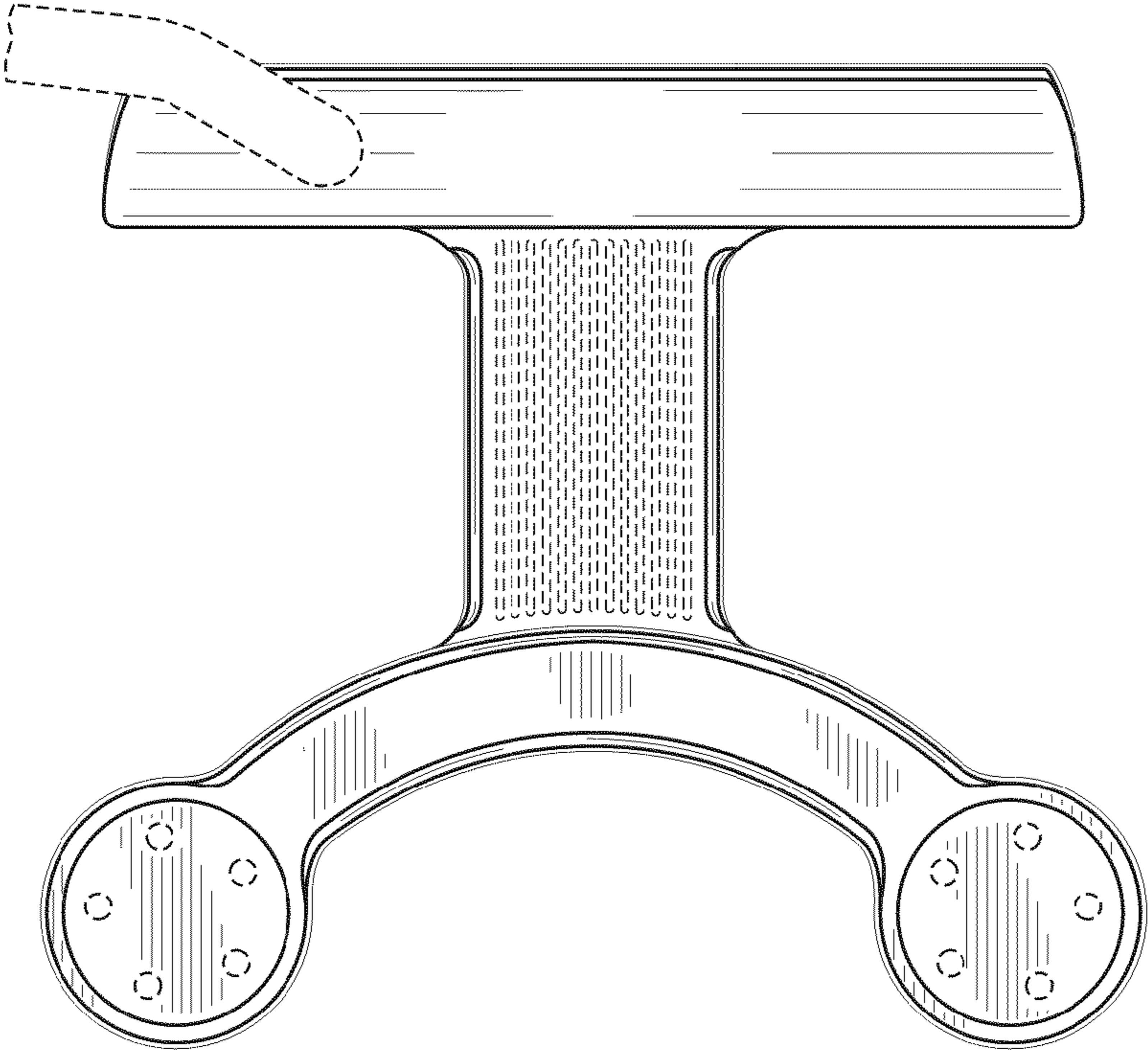


FIG. 4

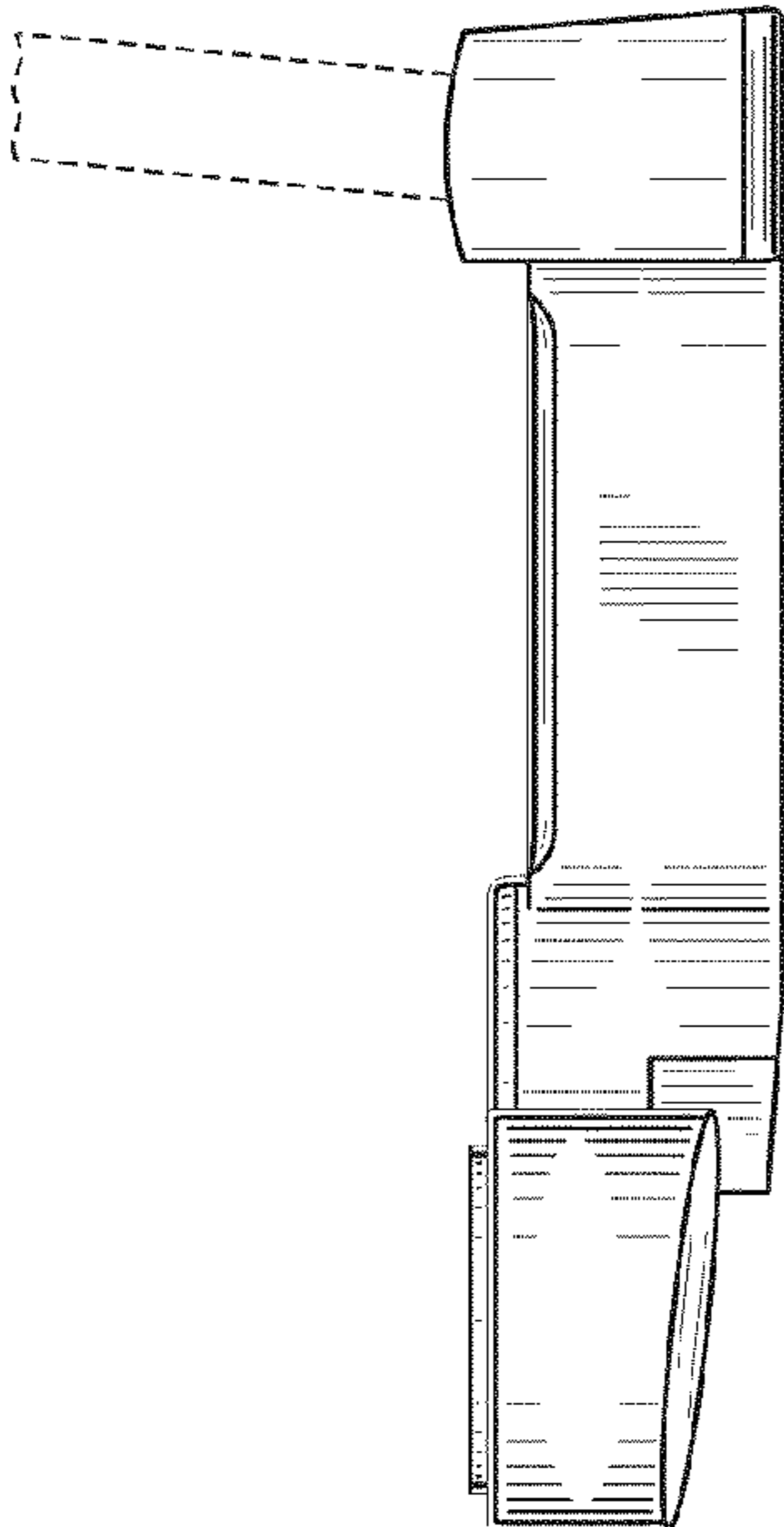


FIG. 6

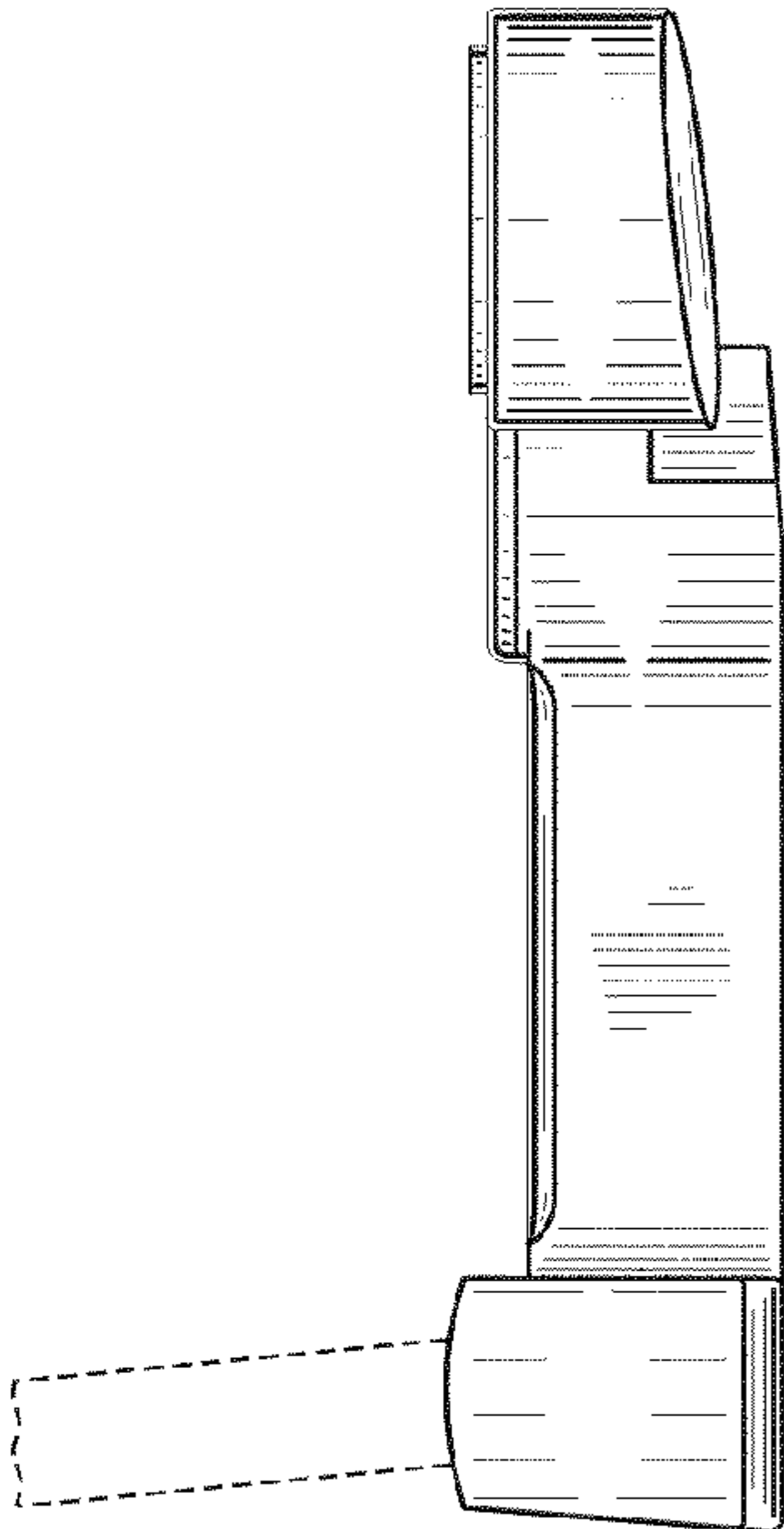


FIG. 5

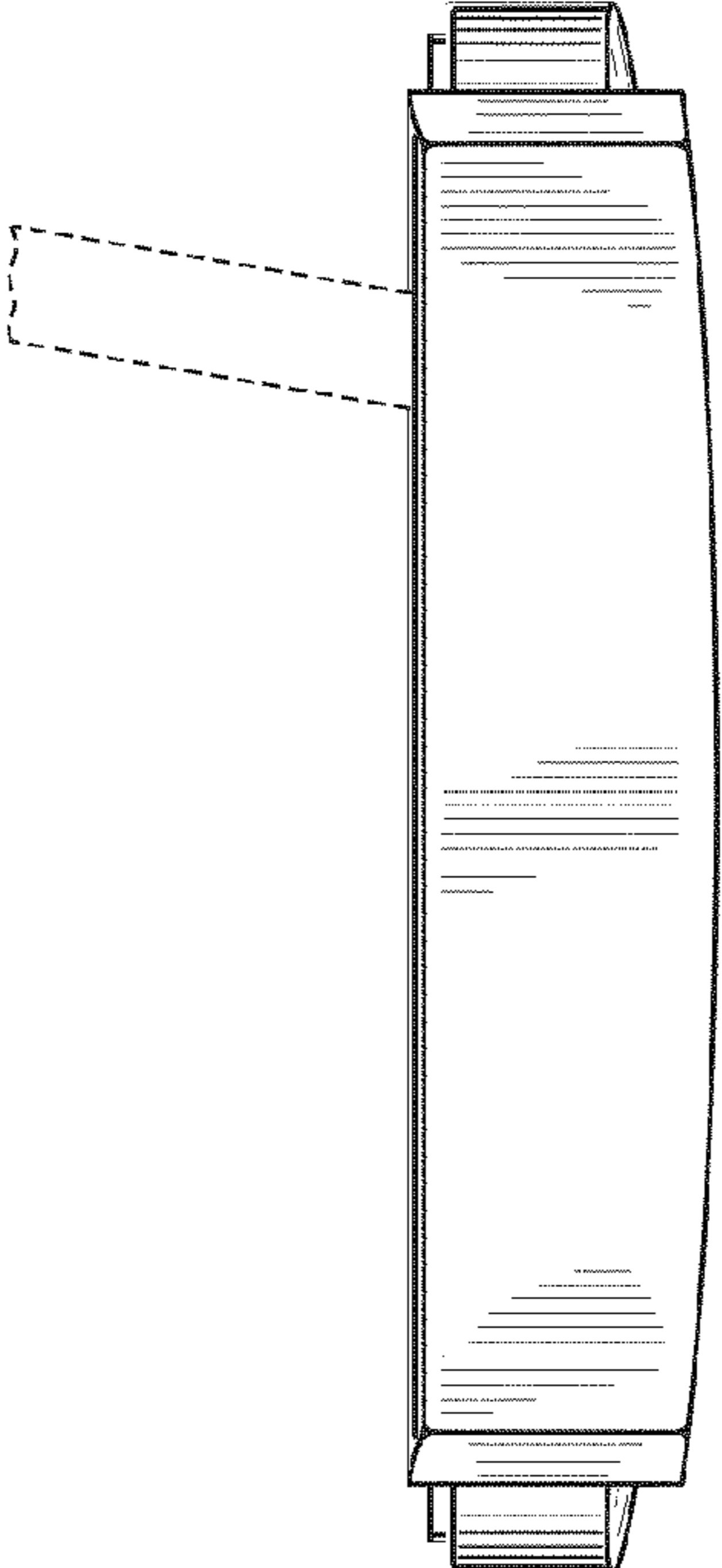


FIG. 7