



US00D627837S

(12) **United States Design Patent**
Chapa, Jr.

(10) **Patent No.:** **US D627,837 S**

(45) **Date of Patent:** **** Nov. 23, 2010**

(54) **BALL**

(75) Inventor: **Rodolfo Chapa, Jr.**, Portland, OR (US)

(73) Assignee: **Nike, Inc.**, Beaverton, OR (US)

(**) Term: **14 Years**

(21) Appl. No.: **29/327,217**

(22) Filed: **Oct. 31, 2008**

(51) **LOC (9) Cl.** **21-02**

(52) **U.S. Cl.** **D21/707**

(58) **Field of Classification Search** D21/373,
D21/386, 707-714; 473/569-614; 40/327;
434/128, 208, 247, 392, 393, 403; 273/288-291,
273/146, 447

See application file for complete search history.

(56) **References Cited**

U.S. PATENT DOCUMENTS

164,328	A *	6/1875	Reiz	273/146
185,934	A *	1/1877	Kearney	273/146
563,170	A *	6/1896	Haley et al.	473/595
D60,575	S *	3/1922	Saart	D21/373
1,492,368	A *	4/1924	Funai	273/244.1
2,031,240	A *	2/1936	Van Deest	473/595
D177,323	S *	4/1956	Guest	D21/386
D198,214	S *	5/1964	Vallos	D11/121
D317,805	S *	6/1991	Swan	D21/707
5,310,189	A *	5/1994	Soto	473/219

D358,858	S *	5/1995	McGreevy	D21/707
5,415,413	A *	5/1995	Morinich	273/271
5,571,019	A *	11/1996	Wilson	434/207
5,641,166	A *	6/1997	Reisel	273/261
D404,085	S *	1/1999	Golad et al.	D21/372
D407,451	S *	3/1999	Disco	D21/708
6,109,608	A *	8/2000	Golad	273/146
6,644,664	B2 *	11/2003	Muir et al.	273/146
D516,640	S *	3/2006	Shore	D21/707
2007/0269773	A1 *	11/2007	Slade	434/98

* cited by examiner

Primary Examiner—Catherine Tuttle

(74) *Attorney, Agent, or Firm*—Shook, Hardy & Bacon L.L.P.

(57) **CLAIM**

The ornamental design for a ball, as shown and described.

DESCRIPTION

FIG. 1 is a front elevational view of the ball showing my new design;

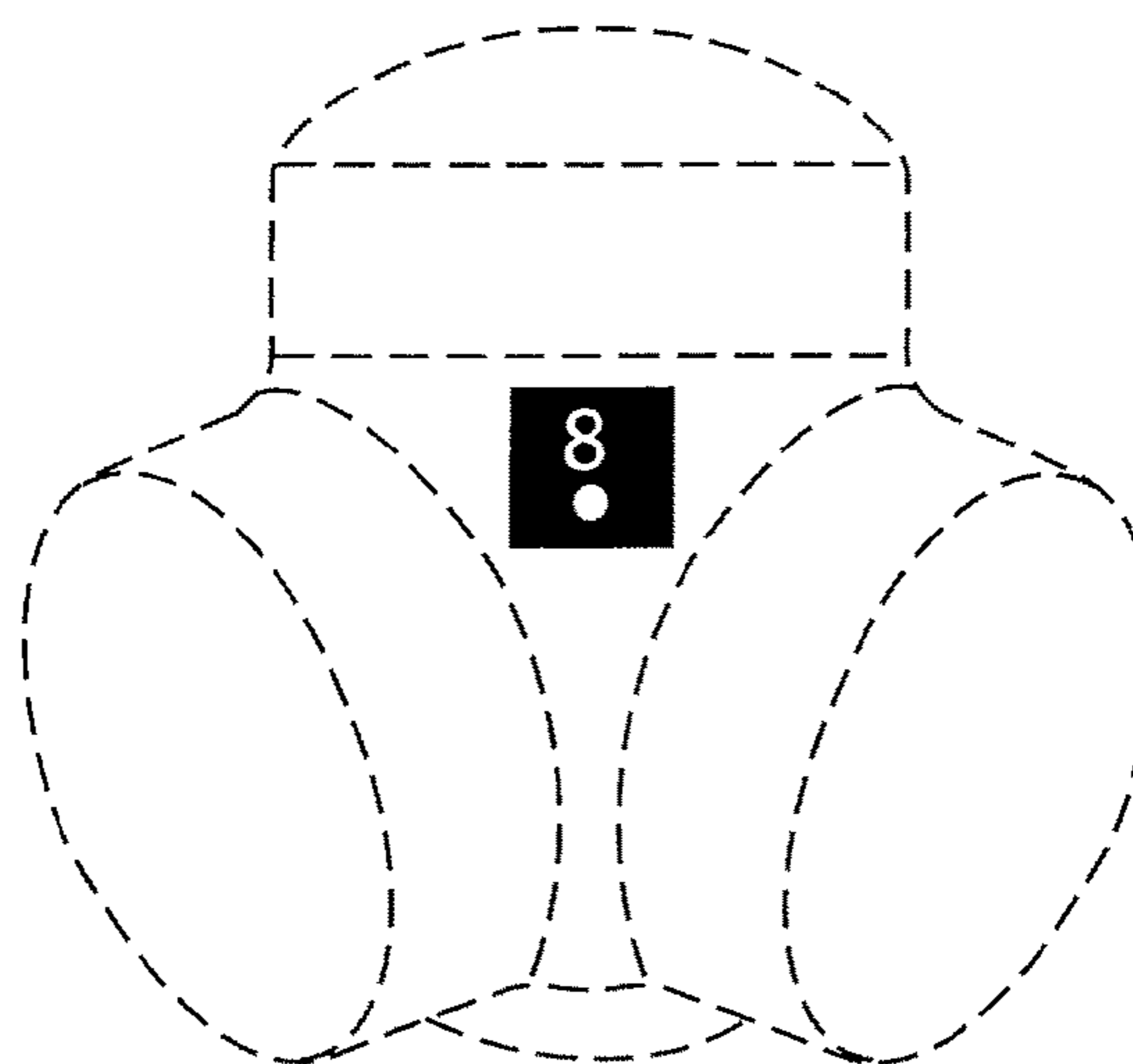
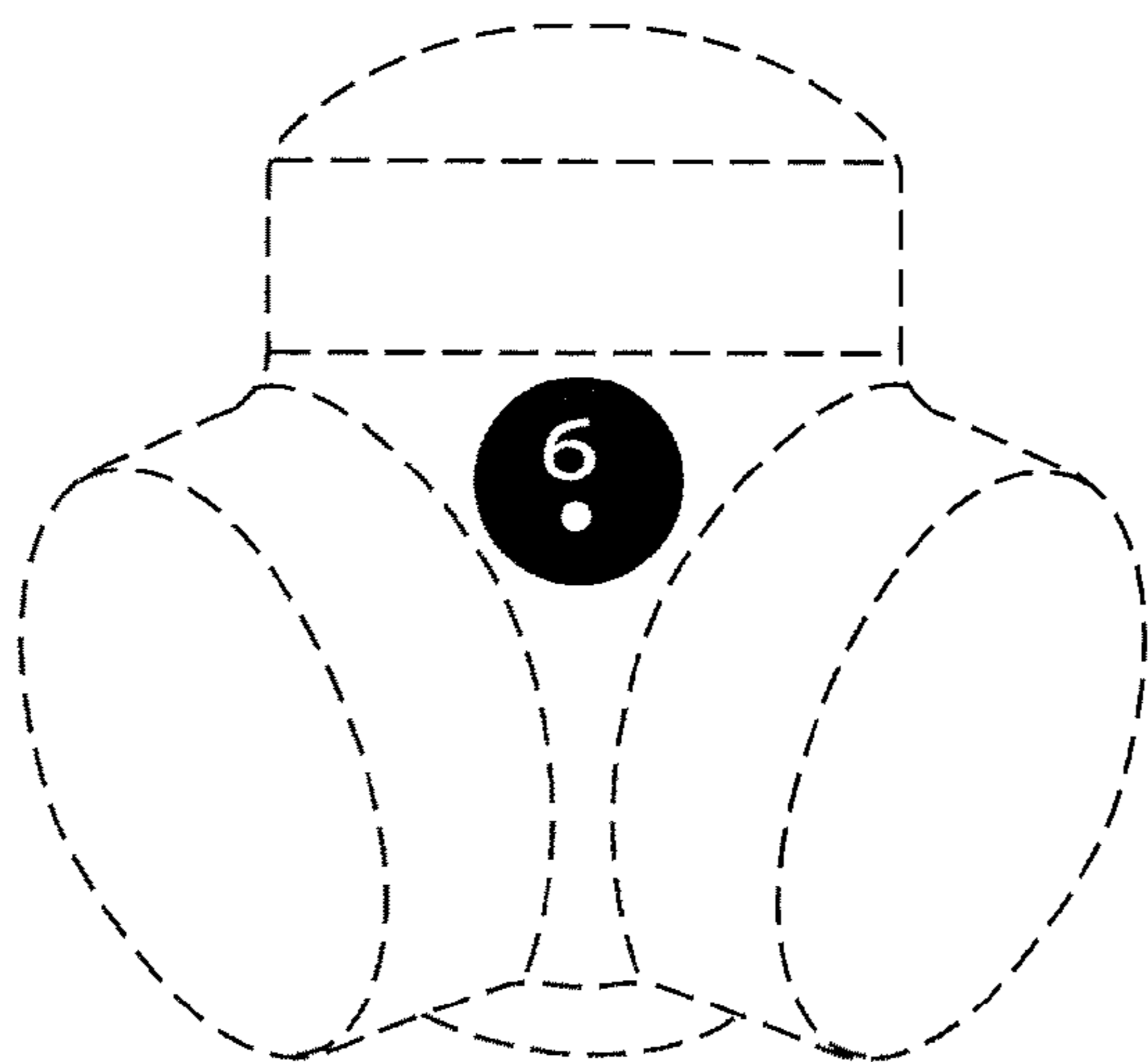
FIG. 2 is the left rear elevational view at 120° rotation from FIG. 1;

FIG. 3 is the right rear elevational view at 120° rotation from FIGS. 1 and 2; and,

FIG. 4 is an oblique bottom view at 60° rotation from FIG. 3.

The broken lines are included for the purpose of illustrating portions of the ball that form no part of the claimed design.

1 Claim, 1 Drawing Sheet



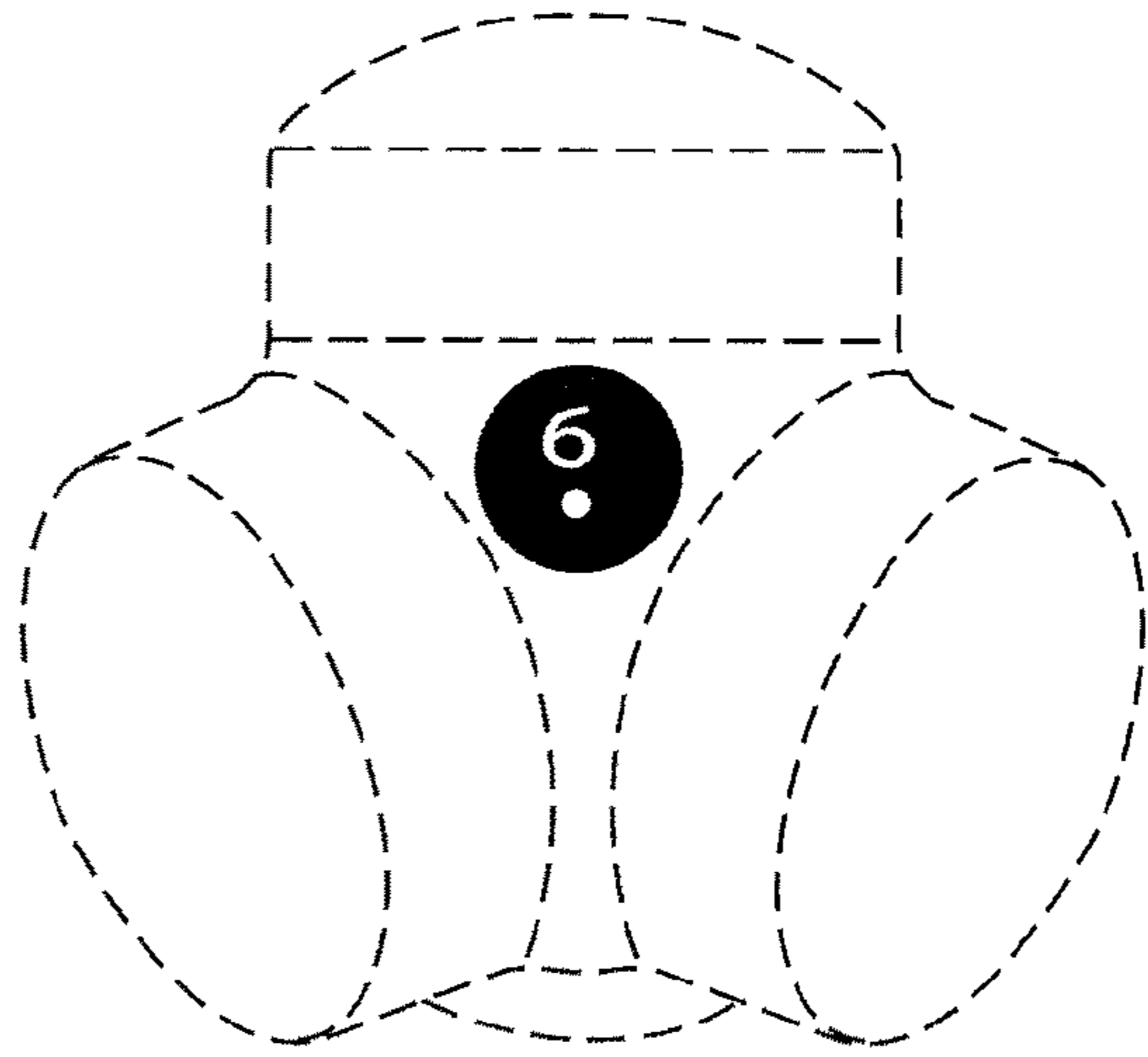


FIG. 1

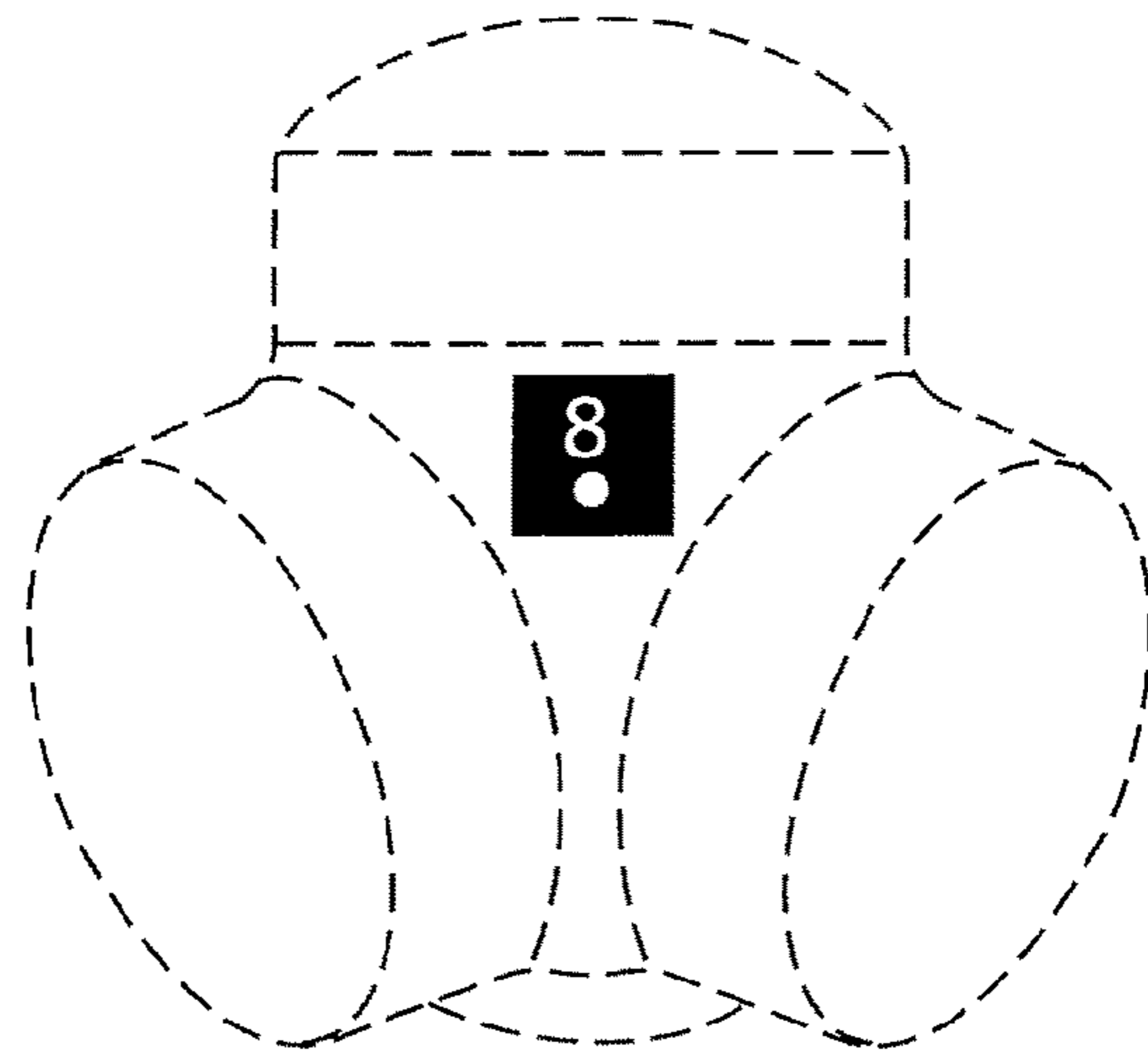


FIG. 2

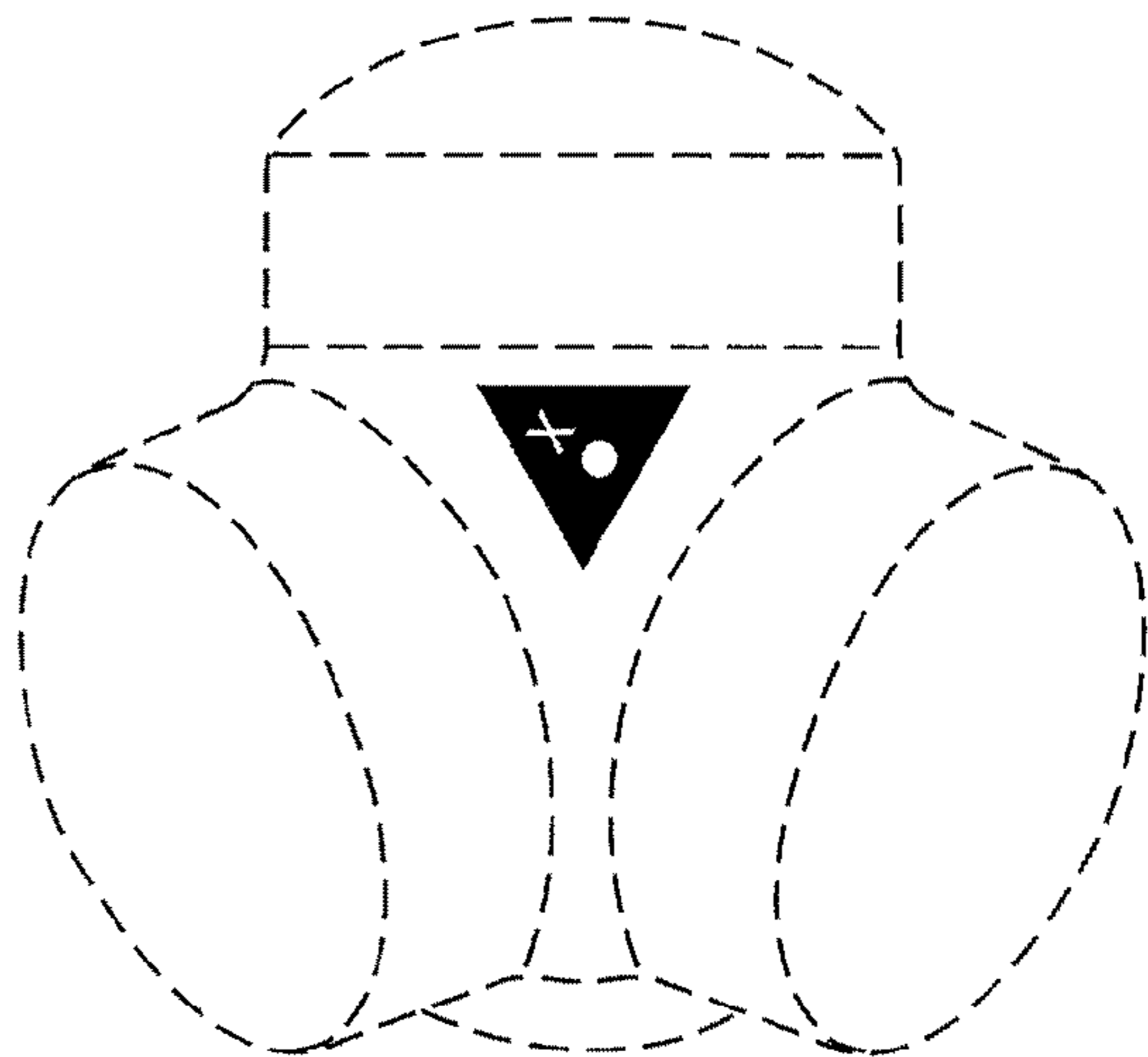


FIG. 3

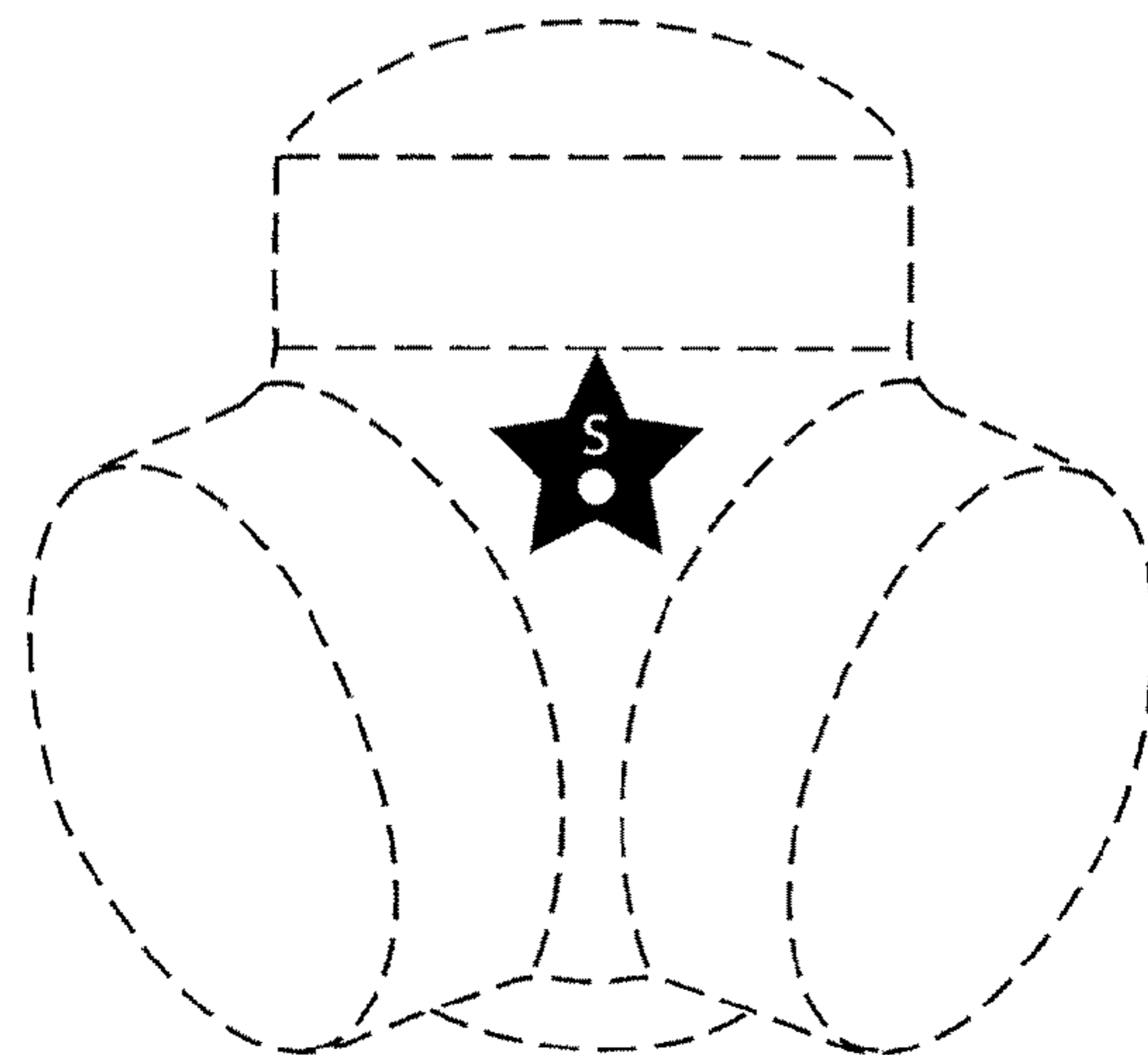


FIG. 4