



US00D627835S

(12) **United States Design Patent**
Lo

(10) **Patent No.:** **US D627,835 S**

(45) **Date of Patent:** **** Nov. 23, 2010**

(54) **BUBBLE MACHINE**

(75) Inventor: **Lap Kiu Lo**, Hong Kong (CN)

(73) Assignee: **Wing Hing Manufacturing Co., Ltd.**,
Hong Kong (CN)

(**) Term: **14 Years**

(21) Appl. No.: **29/358,246**

(22) Filed: **Mar. 24, 2010**

(51) **LOC (9) Cl.** **21-01**

(52) **U.S. Cl.** **D21/401; D21/659**

(58) **Field of Classification Search** D21/398,
D21/401, 405, 406, 419, 421, 426, 428, 576-661;
D3/271.1; D32/37; D34/4; D99/38; 446/15-21,
446/72-78, 176, 178, 217, 218, 236-238,
446/267, 269-294, 409, 411-414, 449, 450-453,
446/475, 487, 491

See application file for complete search history.

(56) **References Cited**

U.S. PATENT DOCUMENTS

1,223,372	A *	4/1917	Zerega	446/292
D153,814	S *	5/1949	Margolis	D20/32
2,770,074	A *	11/1956	Jones et al.	446/442
3,197,918	A *	8/1965	Coggeshall	446/290
D216,820	S *	3/1970	Dunbar	D21/650
D222,842	S *	1/1972	Merck et al.	D34/4
4,173,096	A *	11/1979	Meyer et al.	446/289
D273,215	S *	3/1984	Sahler	D21/592
4,556,392	A *	12/1985	Chang	446/16
D349,136	S *	7/1994	Pachol et al.	D21/576
5,360,362	A *	11/1994	Cernansky et al.	446/16
D353,844	S *	12/1994	Chiang	D21/533

D409,715	S *	5/1999	Cruz et al.	D23/209
D527,678	S *	9/2006	Warner	D11/158
D528,536	S *	9/2006	Topping	D14/207
7,144,291	B2 *	12/2006	Thai	446/15
D566,796	S *	4/2008	Feeney	D21/630
7,470,165	B2 *	12/2008	Ivanic et al.	446/15
2002/0049021	A1 *	4/2002	Hornsby et al.	446/289

OTHER PUBLICATIONS

Early Learning Centre Internet Catalog; Streams of Bubbles; printed from www.elc.co.uk in Spring 2009.

* cited by examiner

Primary Examiner—Catherine Tuttle

(74) *Attorney, Agent, or Firm*—Baker & McKenzie LLP

(57) **CLAIM**

The ornamental design for a bubble machine, as shown and described.

DESCRIPTION

FIG. 1 is a perspective view of a bubble machine in accordance with my design;

FIG. 2 is a side elevation view thereof, the opposite view being a minor image of that shown;

FIG. 3 is a front elevation view thereof;

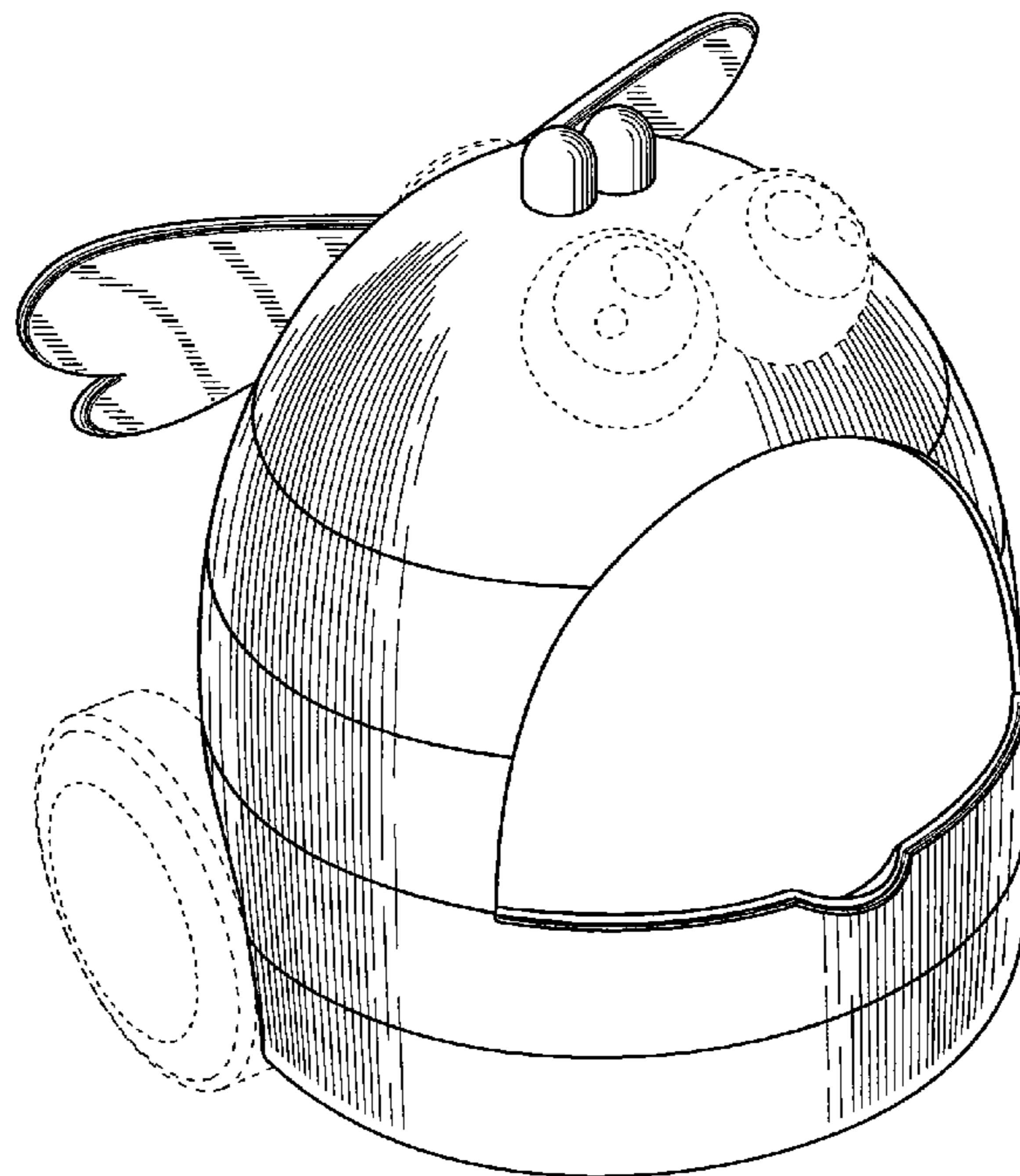
FIG. 4 is a back elevation view thereof;

FIG. 5 is a top plan view thereof; and,

FIG. 6 is a bottom plan view thereof.

The broken lines are included for the purpose of illustrating portions of the bubble machine that form no part of the claimed design.

1 Claim, 3 Drawing Sheets



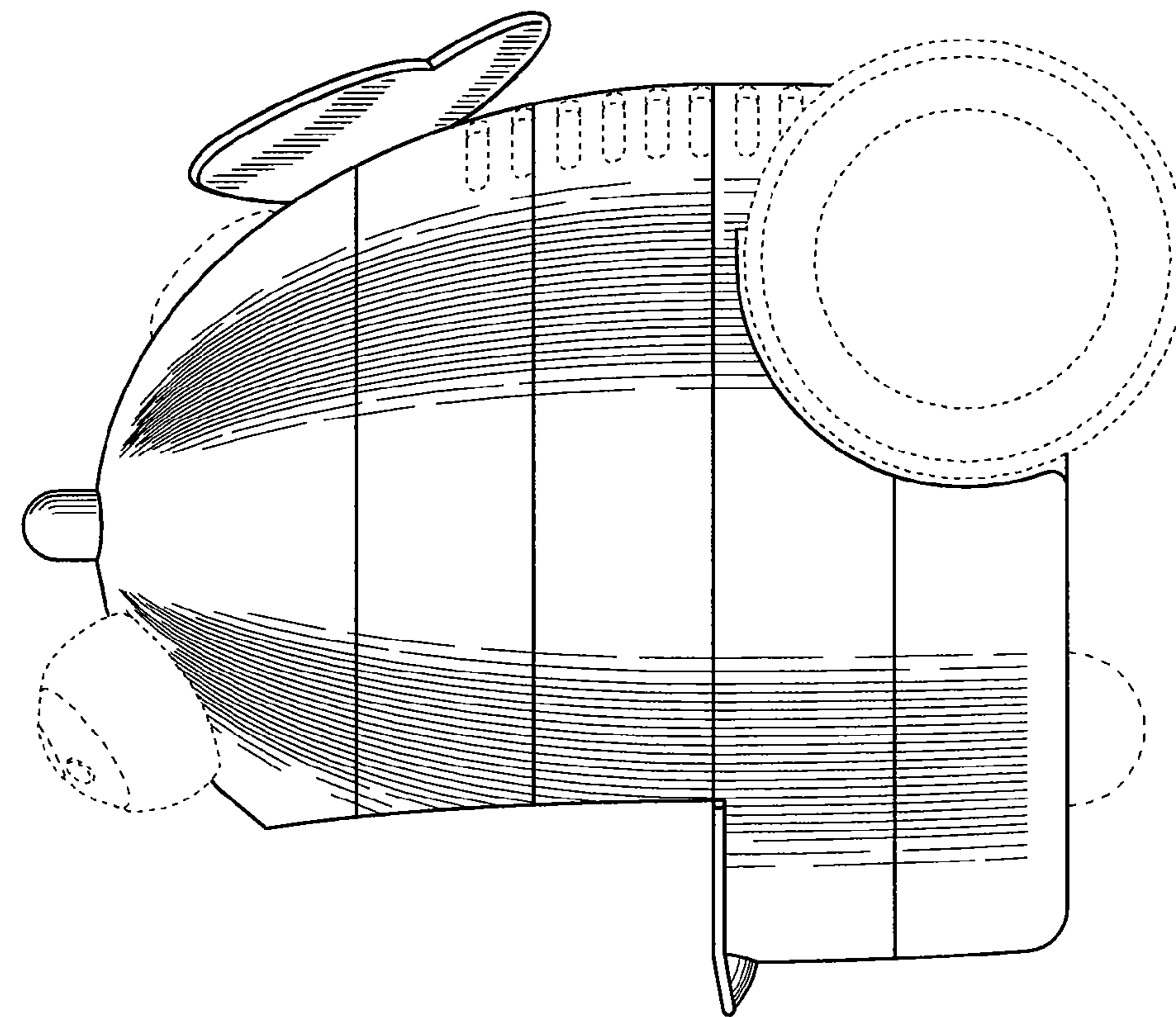


Fig.1

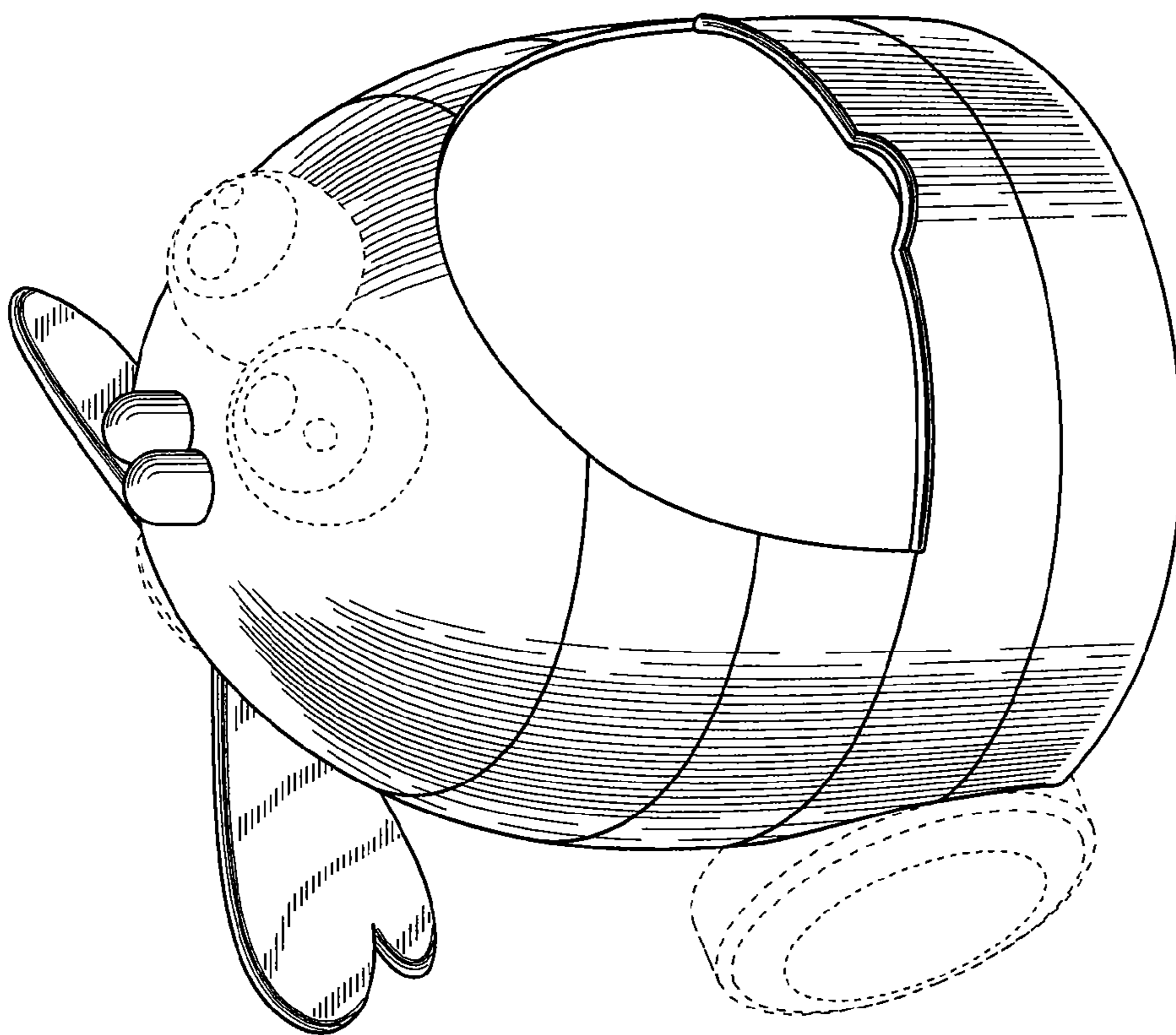


Fig.2

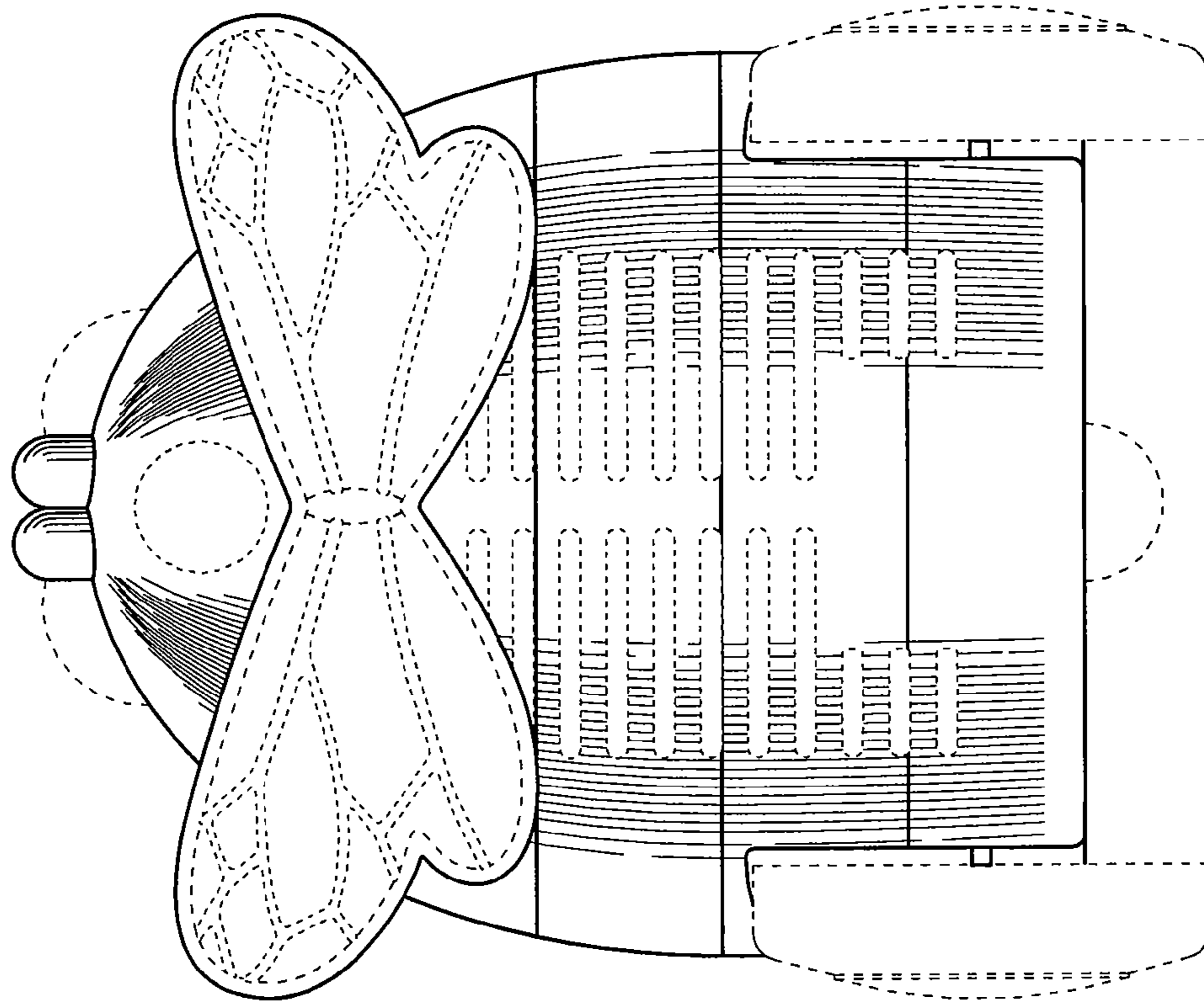


Fig. 4

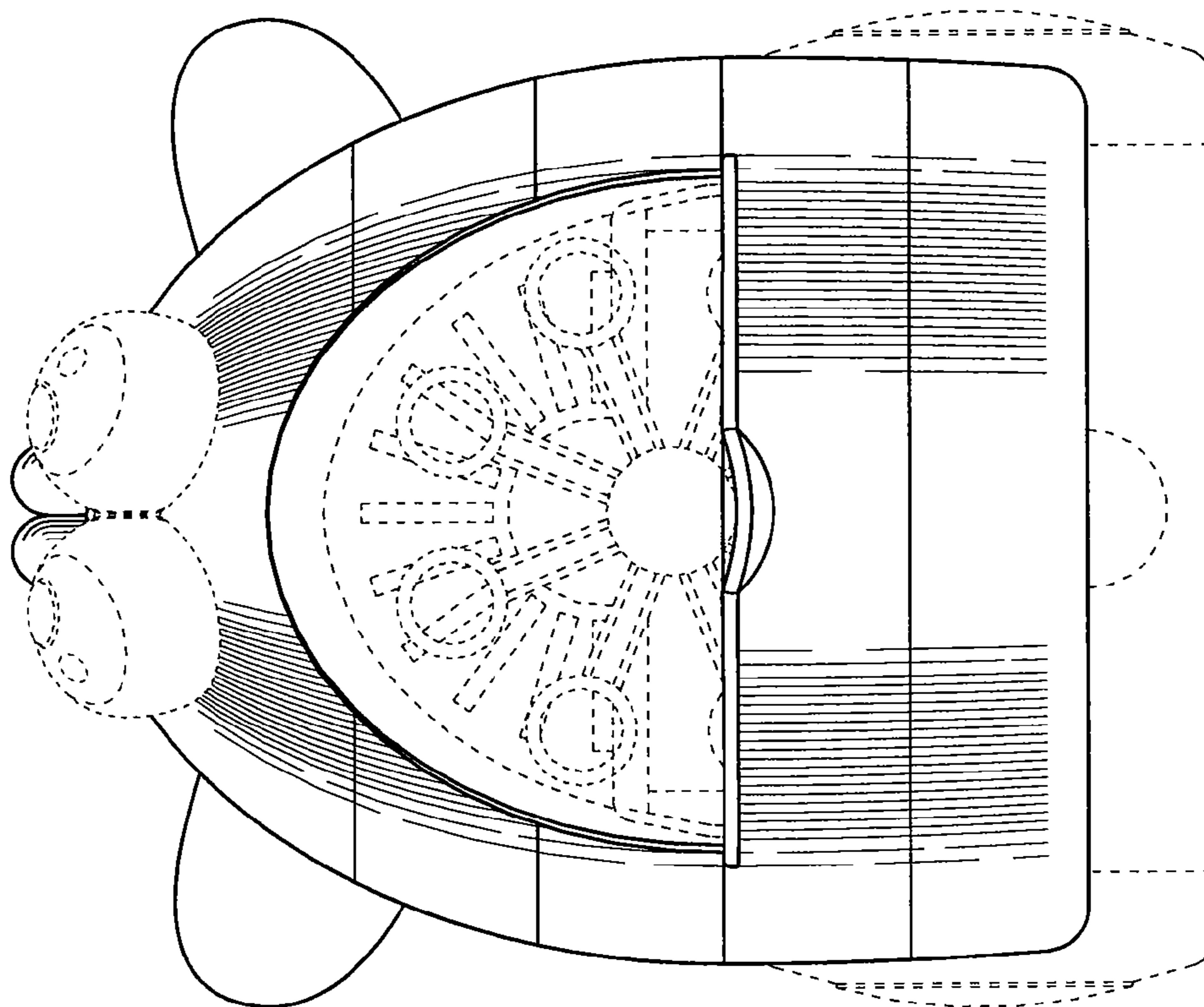


Fig. 3

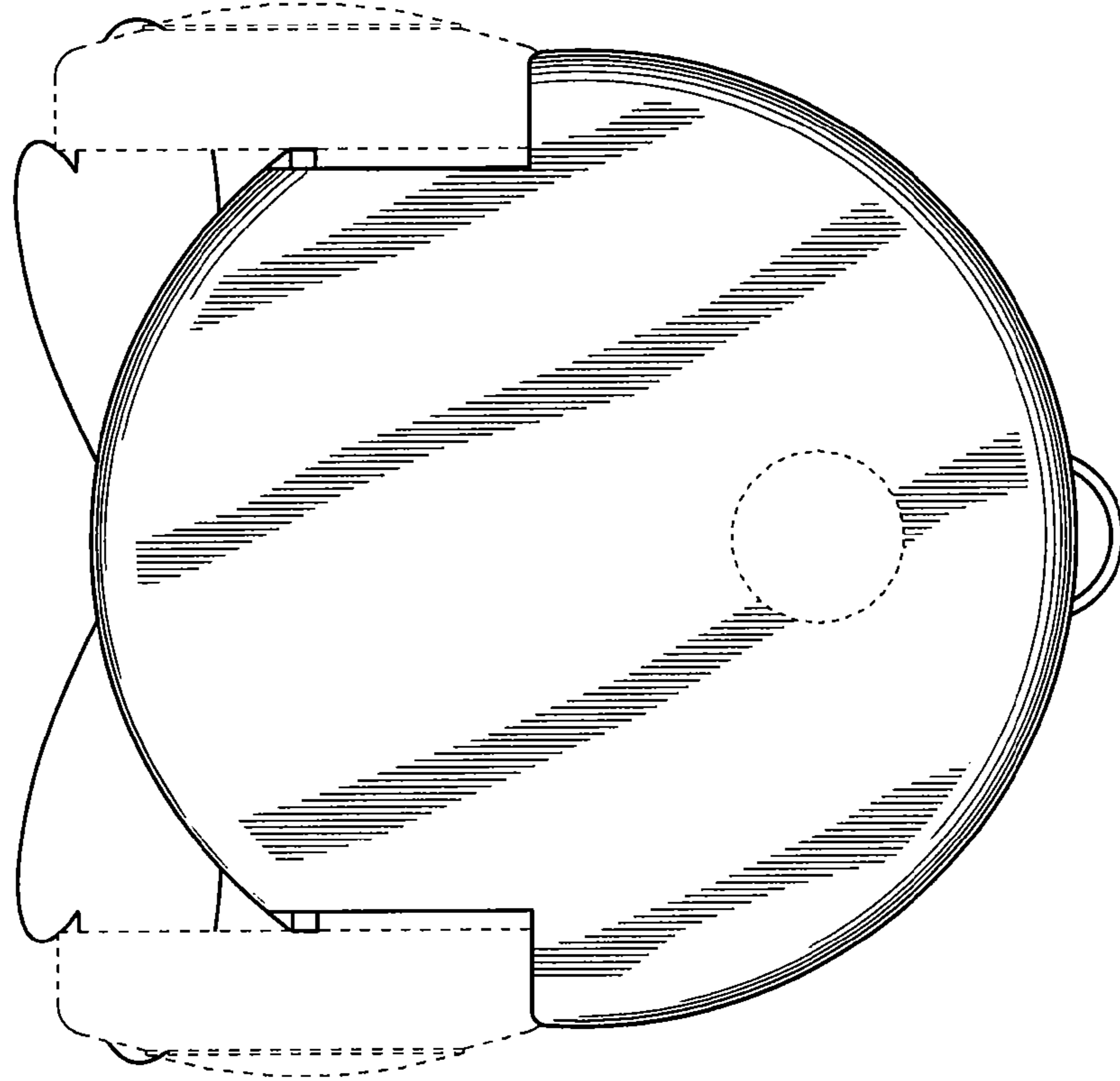


Fig.6

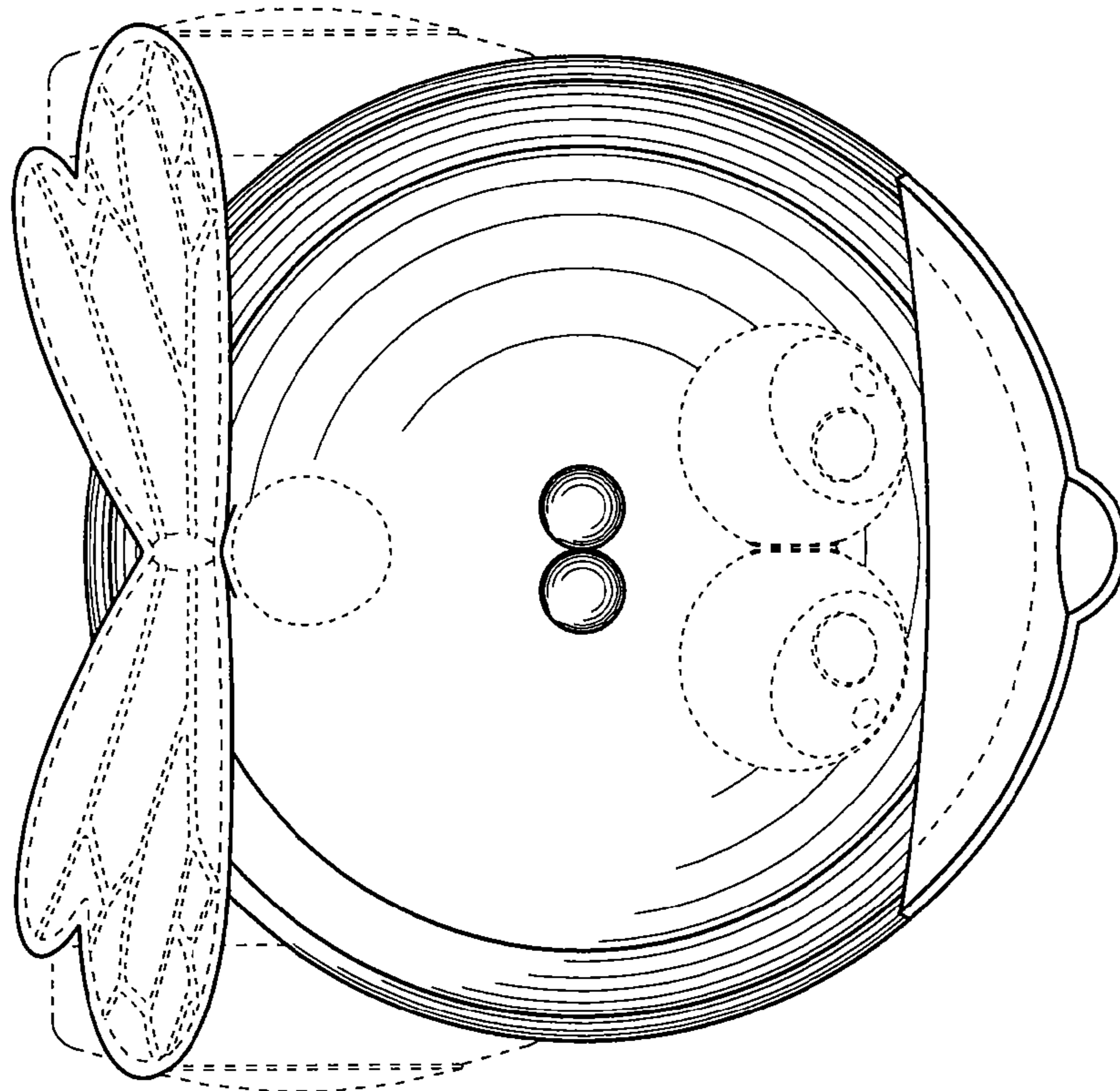


Fig.5