



US00D627833S

(12) **United States Design Patent**  
**Willis**

(10) **Patent No.:** **US D627,833 S**

(45) **Date of Patent:** **\*\* Nov. 23, 2010**

(54) **CARD VIEWING DEVICE**

2008/0143049 A1\* 6/2008 McLaughlin ..... 273/150

(76) Inventor: **John Lindel Willis**, P.O. Box 281,  
Waterford, CA (US) 95386

\* cited by examiner

*Primary Examiner*—Sandra Morris  
(74) *Attorney, Agent, or Firm*—Eric Hanscom

(\*\*) Term: **14 Years**

(21) Appl. No.: **29/356,177**

(57) **CLAIM**

(22) Filed: **Feb. 21, 2010**

The ornamental design for a card viewing device, as shown and described.

(51) **LOC (9) Cl.** ..... **21-01**

(52) **U.S. Cl.** ..... **D21/396; D21/385**

(58) **Field of Classification Search** ..... D16/135;  
D21/385–386, 396; 273/150, 148 R, 273–288  
See application file for complete search history.

**DESCRIPTION**

FIG. 1 is a perspective exploded view of a card viewing device showing my new design;

FIG. 2 is a top view thereof;

FIG. 3 is a right-side view thereof;

FIG. 4 is a left-side view thereof;

FIG. 5 is a bottom view thereof;

FIG. 6 is a front view thereof; and,

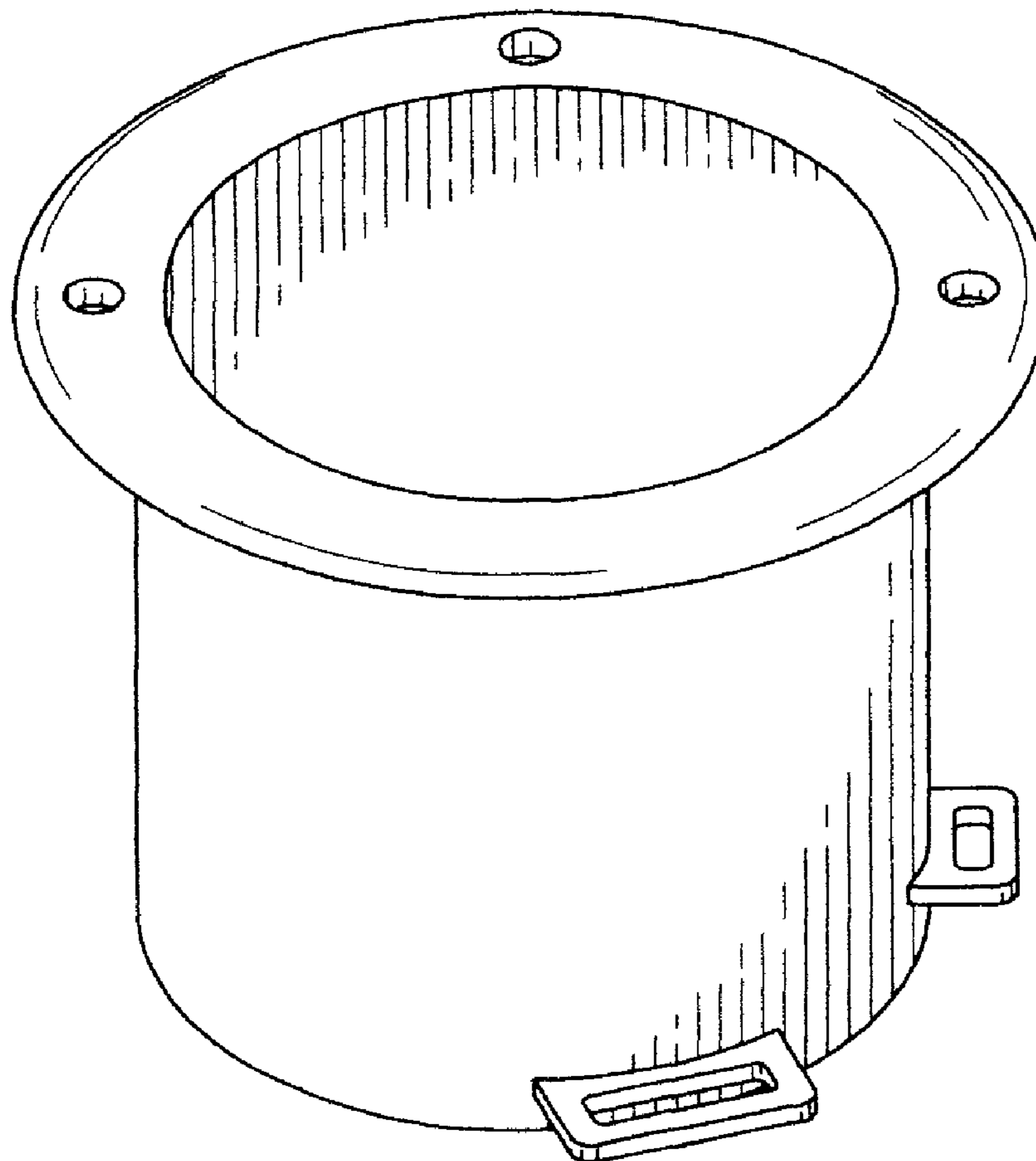
FIG. 7 is a back view thereof.

(56) **References Cited**

U.S. PATENT DOCUMENTS

4,949,978	A *	8/1990	Berner	.....	273/288
5,312,104	A *	5/1994	Miller	.....	273/148 R
5,362,053	A *	11/1994	Miller	.....	273/148 R
D448,812	S *	10/2001	Vong et al.	.....	D21/386
D506,788	S *	6/2005	Weisman et al.	.....	D21/386
D532,804	S *	11/2006	Ono	.....	D16/135

**1 Claim, 3 Drawing Sheets**



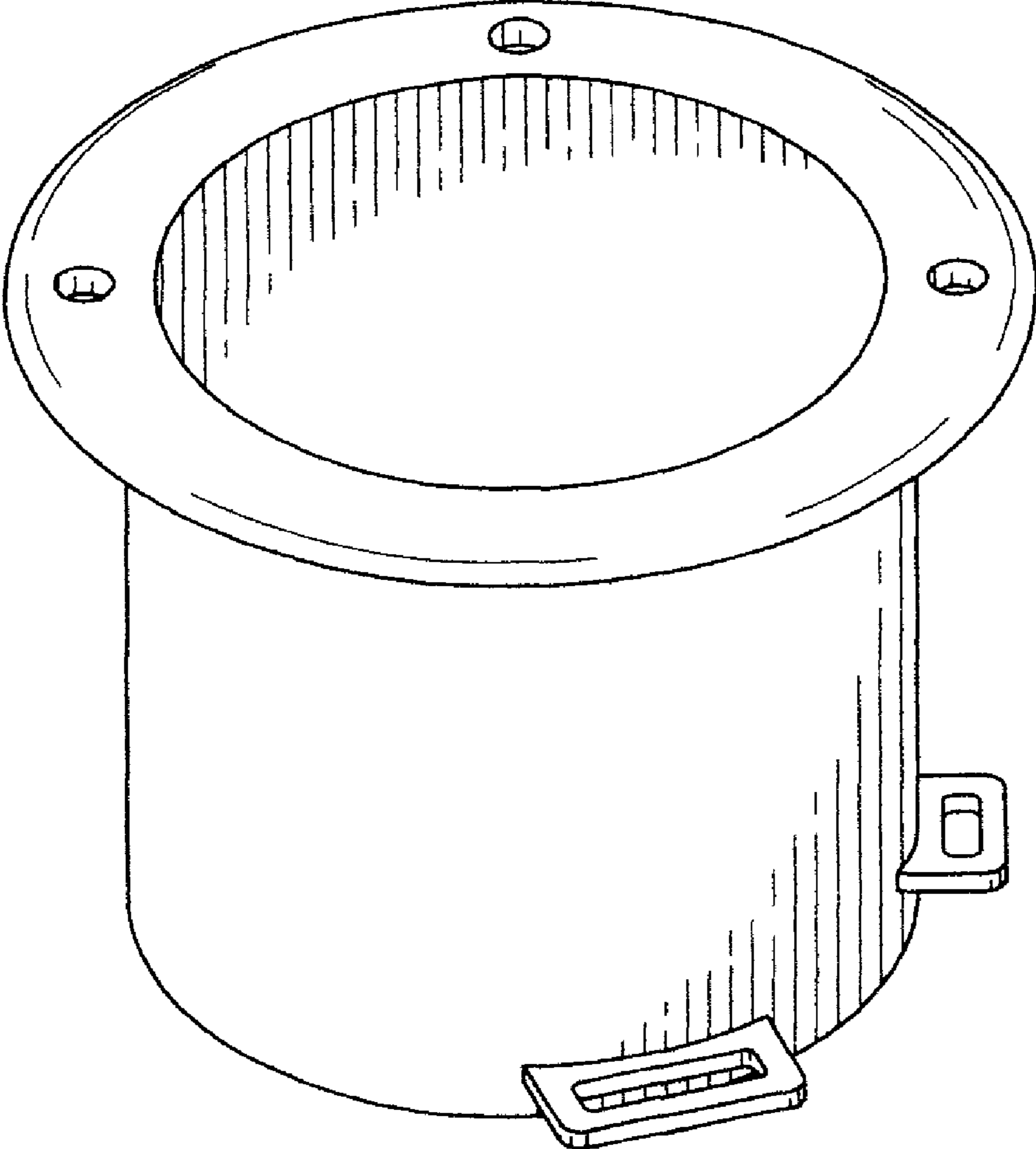


Figure 1

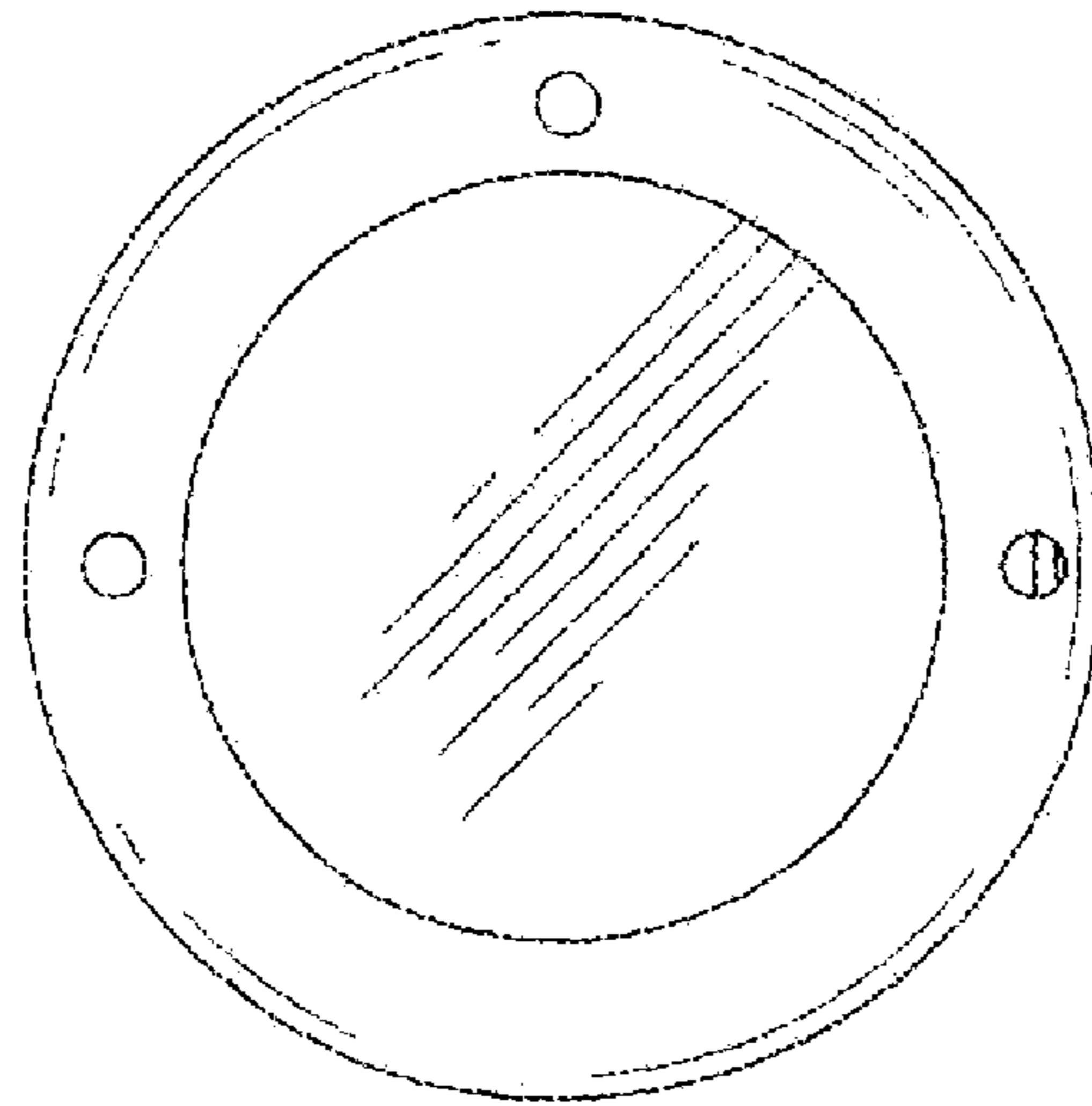


Figure 2

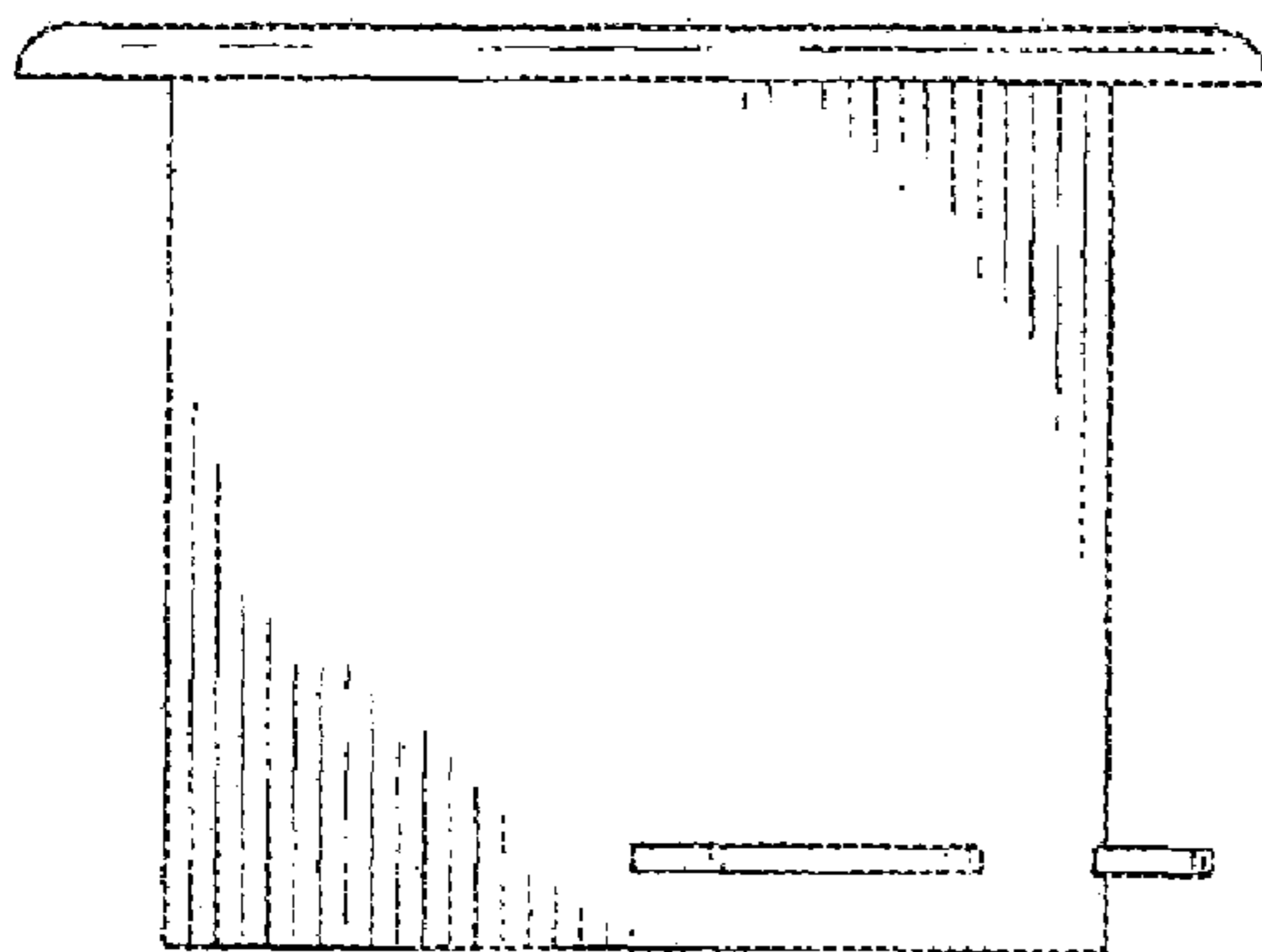


Figure 3

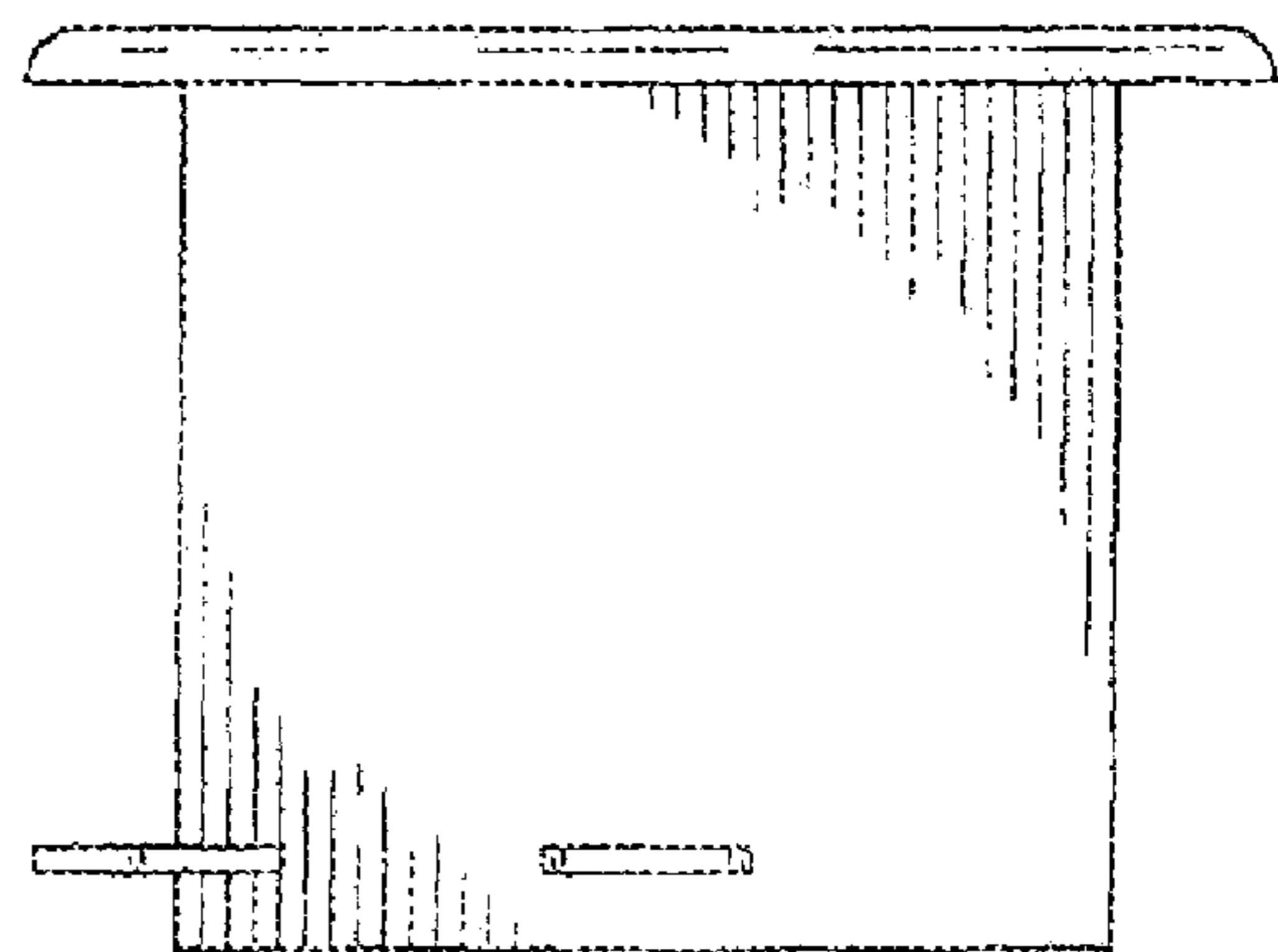


Figure 4

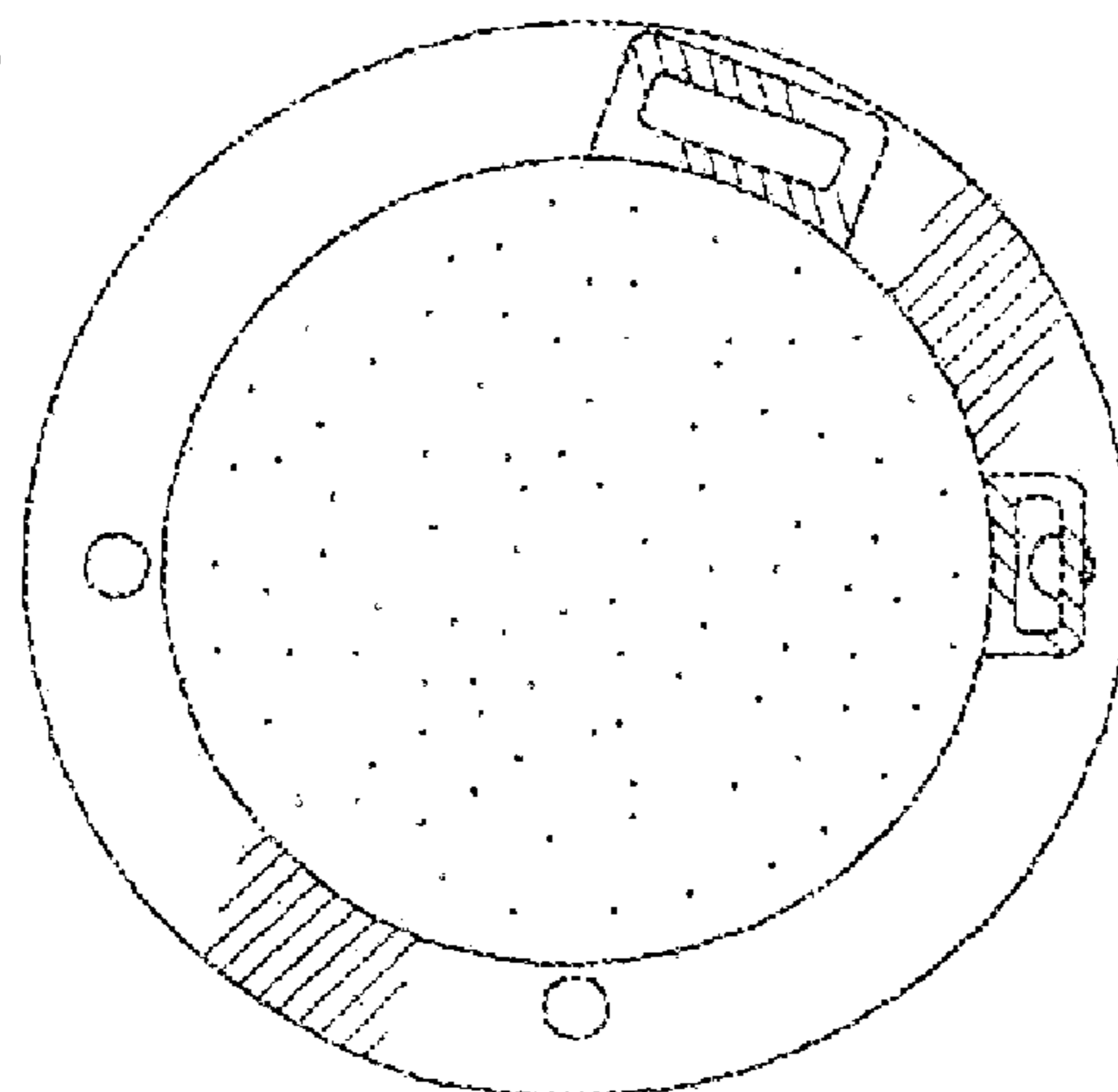


Figure 5

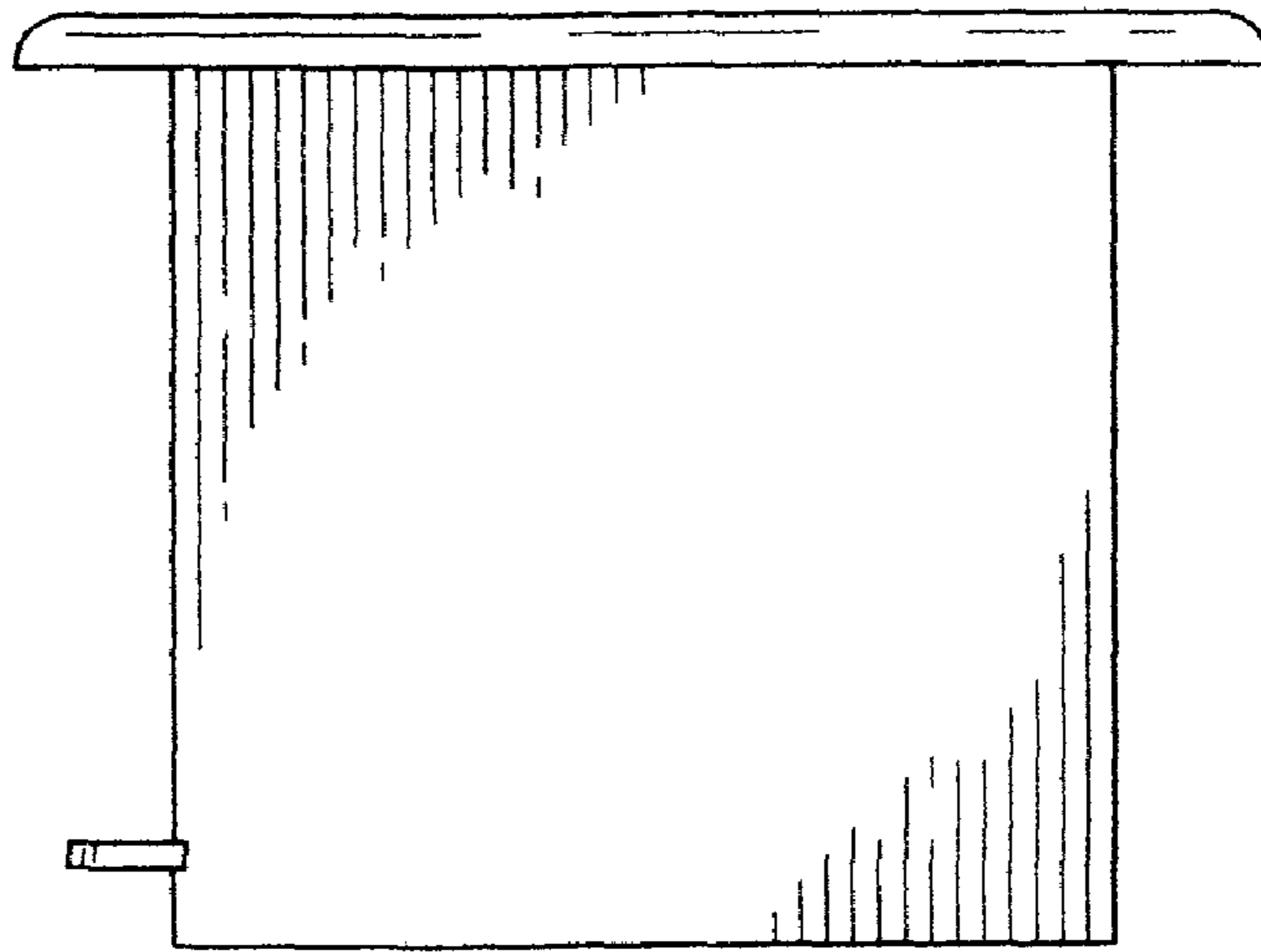


Figure 6

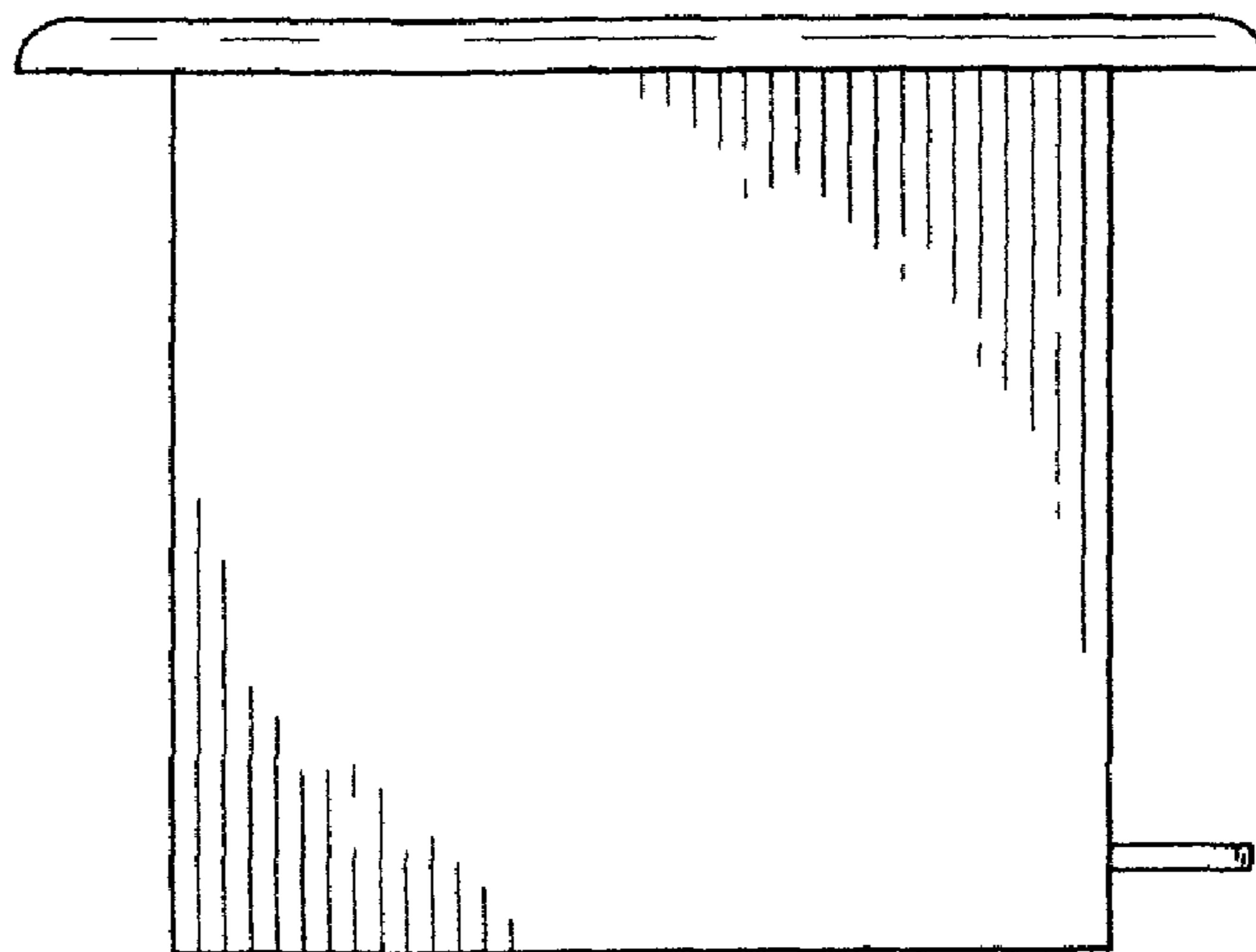


Figure 7