



US00D627832S

(12) **United States Design Patent**
Xu

(10) **Patent No.:** **US D627,832 S**

(45) **Date of Patent:** **** Nov. 23, 2010**

(54) **WIRELESS GAME DEVICE**

(75) Inventor: **Kangtai Xu**, Guangzhou (CN)

(73) Assignee: **Guangzhou Shiyuan Electronic Co., Ltd.**, Guangzhou Science Park, Guangzhou (CN)

(**) Term: **14 Years**

(21) Appl. No.: **29/342,541**

(22) Filed: **Aug. 26, 2009**

(51) **LOC (9) Cl.** **21-01**

(52) **U.S. Cl.** **D21/333**

(58) **Field of Classification Search** D21/324, D21/328, 332, 333; D14/400, 401, 412-416, D14/217, 432, 434, 496, 454; 273/148 B; 463/1, 37, 38, 40-47; 345/156-161, 905
See application file for complete search history.

(56) **References Cited**

U.S. PATENT DOCUMENTS

D259,937	S	*	7/1981	Heuel et al.	D21/324
D314,592	S	*	2/1991	Feurey	D21/324
D343,202	S	*	1/1994	Peersmann	D21/324
D368,282	S	*	3/1996	Lin	D21/327
D368,740	S	*	4/1996	Lamle	D21/328
5,797,085	A	*	8/1998	Beuk et al.	455/88
6,846,238	B2	*	1/2005	Wells	463/39
D603,437	S	*	11/2009	Holbl	D16/133
2003/0064805	A1	*	4/2003	Wells	463/39
2004/0048666	A1	*	3/2004	Bagley et al.	463/39

2007/0015581	A1	*	1/2007	Silverbrook	463/39
2007/0093294	A1	*	4/2007	Serafat et al.	463/39
2007/0135201	A1	*	6/2007	Guzman	463/16

* cited by examiner

Primary Examiner—Prabhakar Deshmukh

(57) **CLAIM**

I claim the ornamental design for a wireless game device, as shown and described.

DESCRIPTION

FIG. 1 is a front elevational view of wireless game device showing my new design;

FIG. 2 is a rear elevational view thereof;

FIG. 3 is a left elevational view thereof;

FIG. 4 is a right elevational view thereof;

FIG. 5 is a top plan view thereof;

FIG. 6 is a bottom plan view thereof;

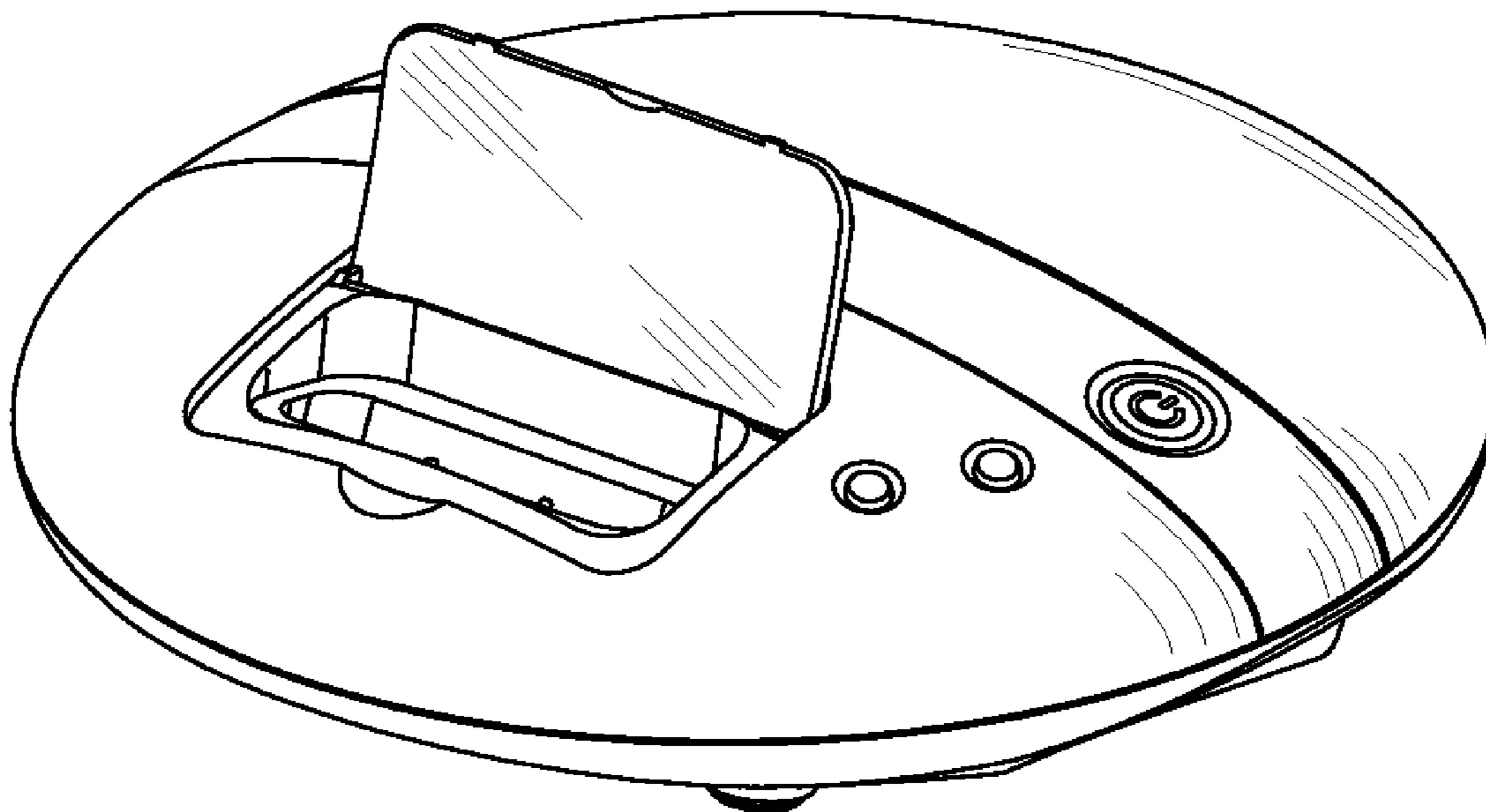
FIG. 7 is a perspective view thereof;

FIG. 8 is a perspective view thereof, with the shutter shown in closed position; and,

FIG. 9 is a perspective view thereof, shown the wireless game device in its environmental use.

The broken lines showing of an electronic device in FIG. 9 and other disclaimed portions are for illustrative purpose and form no part of the claimed design.

1 Claim, 4 Drawing Sheets



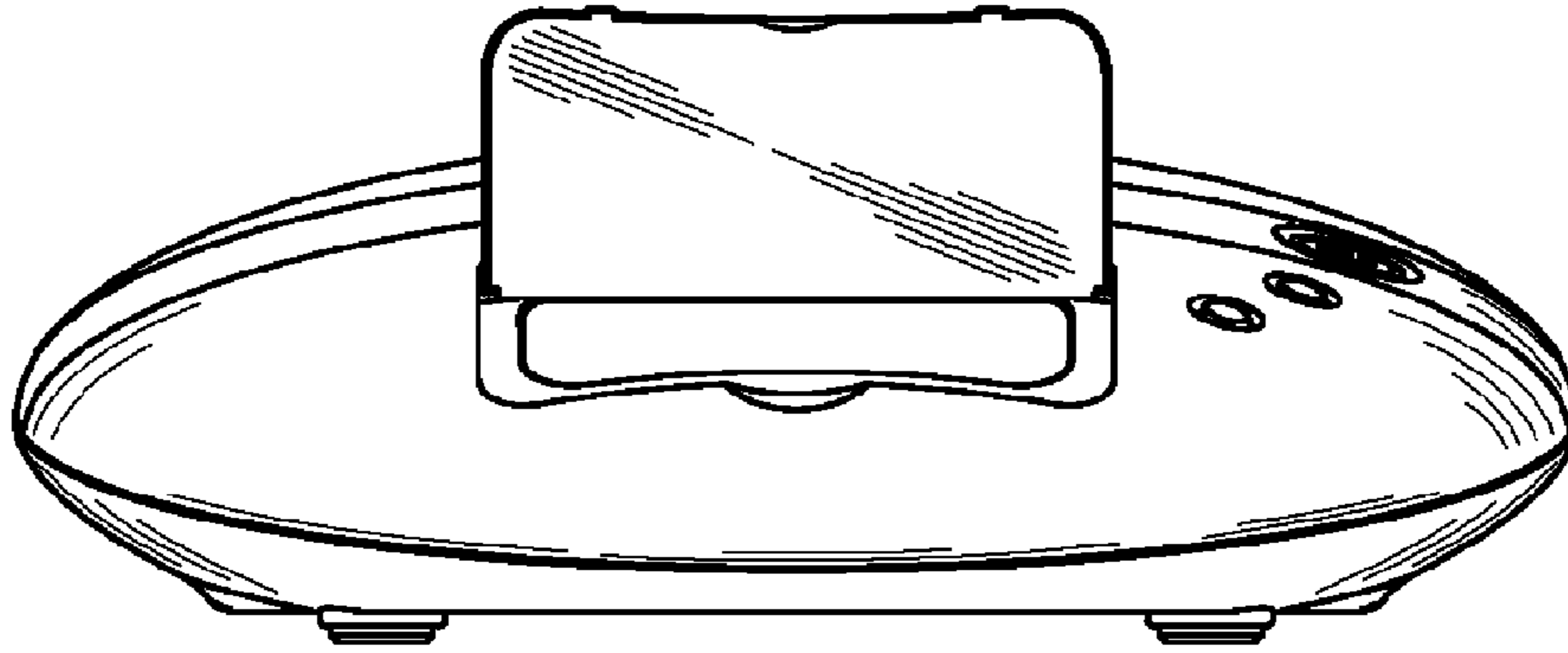


FIG.1

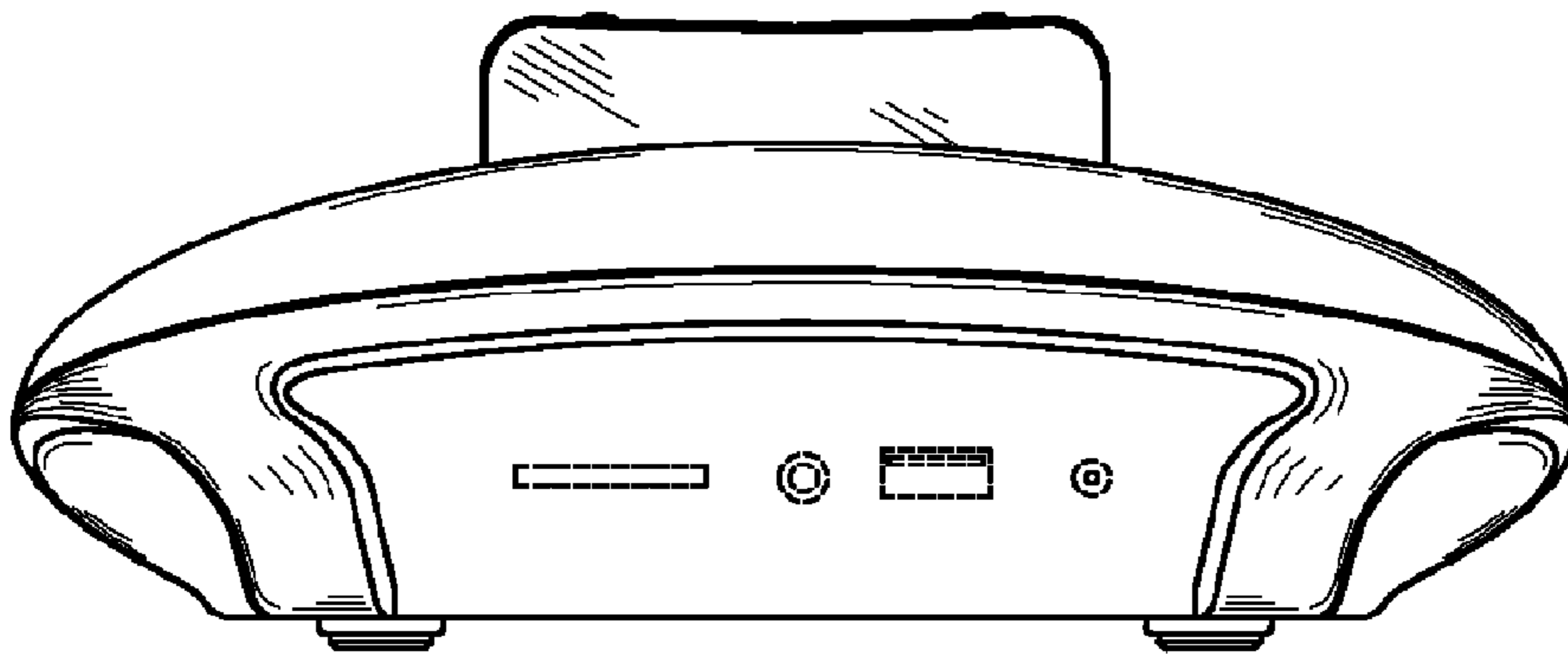


FIG.2

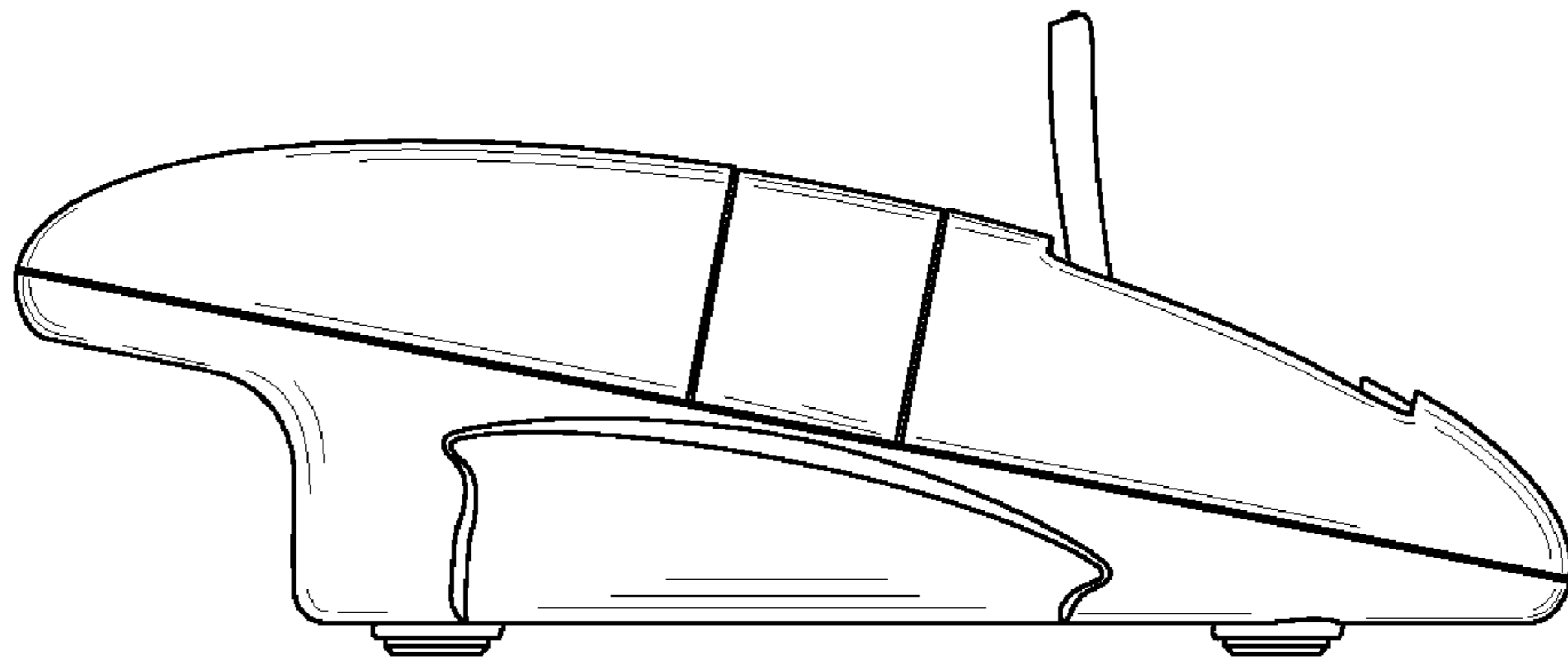


FIG.3

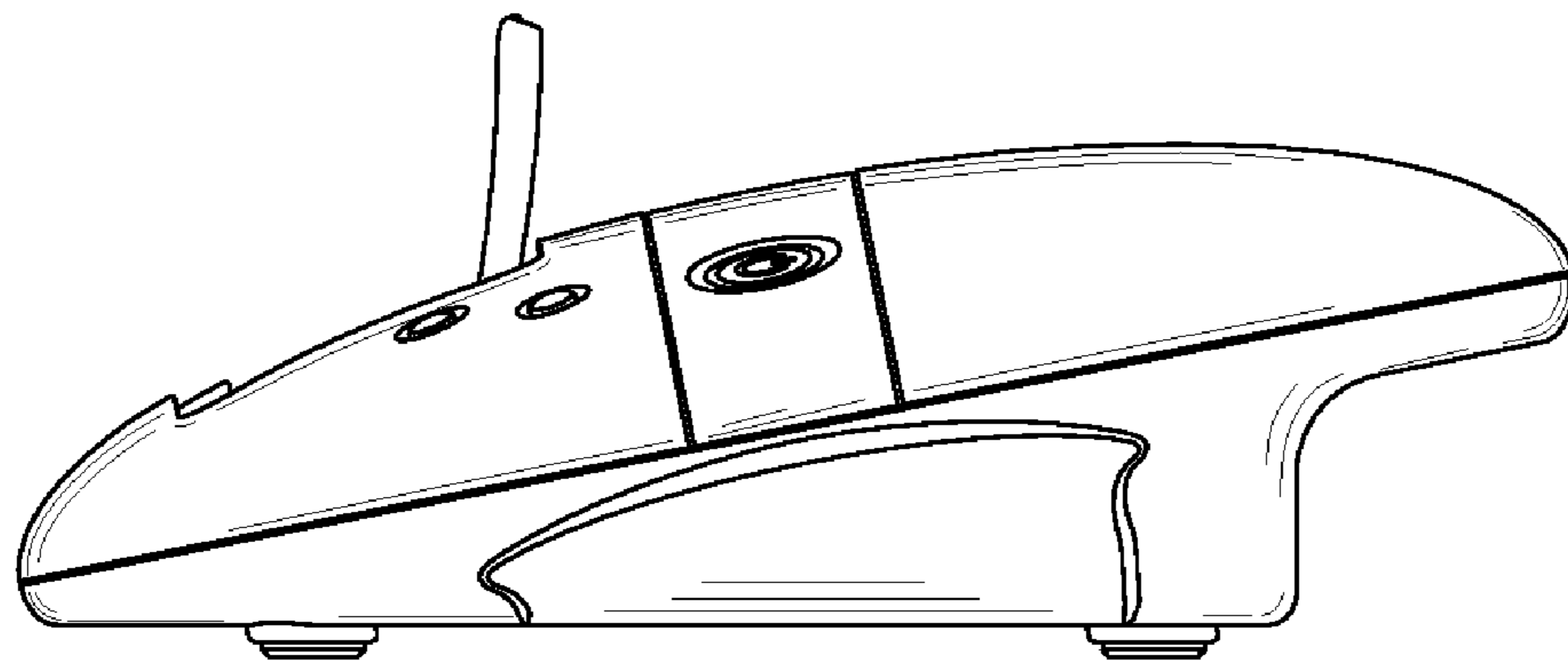


FIG.4

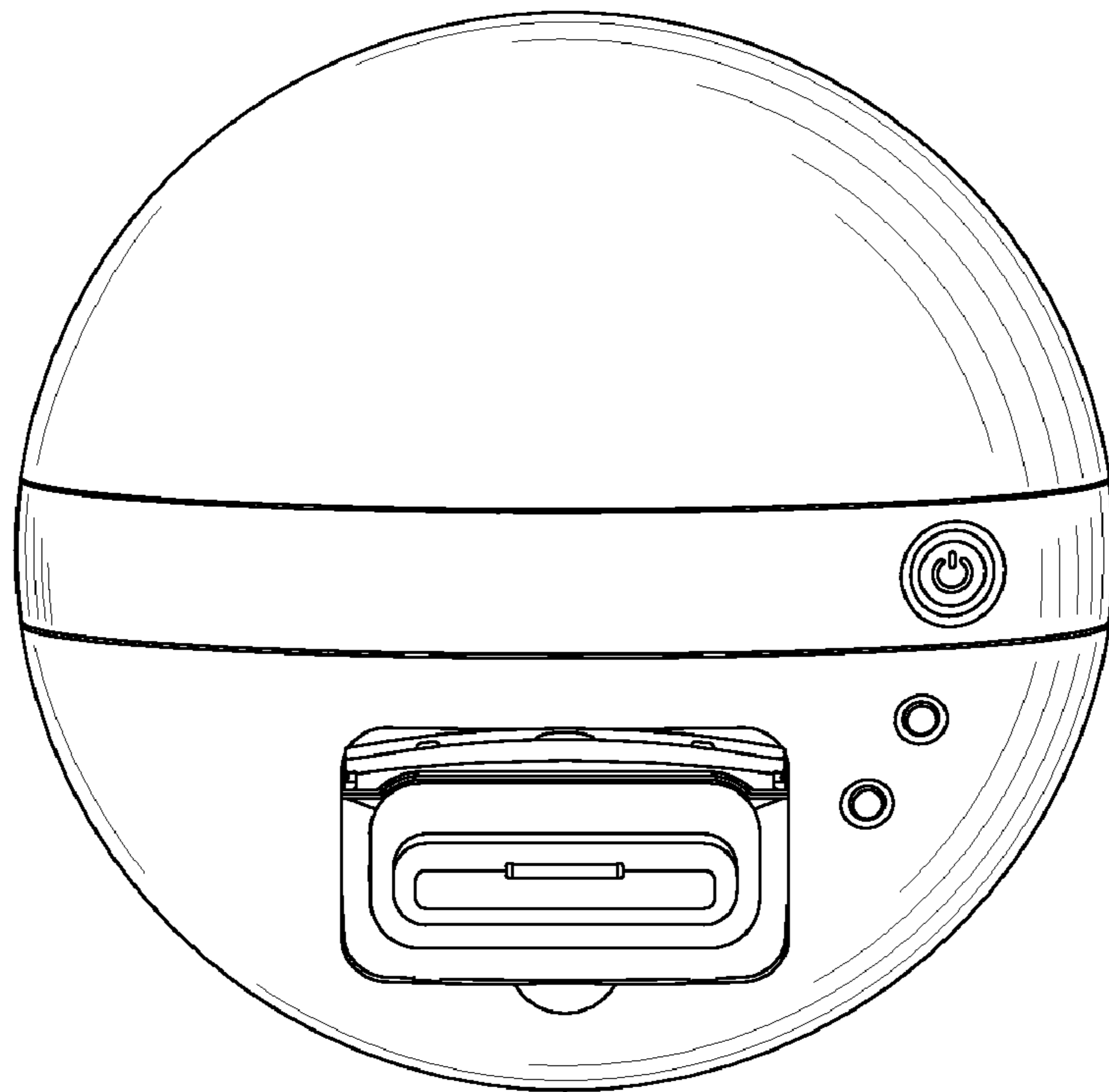


FIG. 5

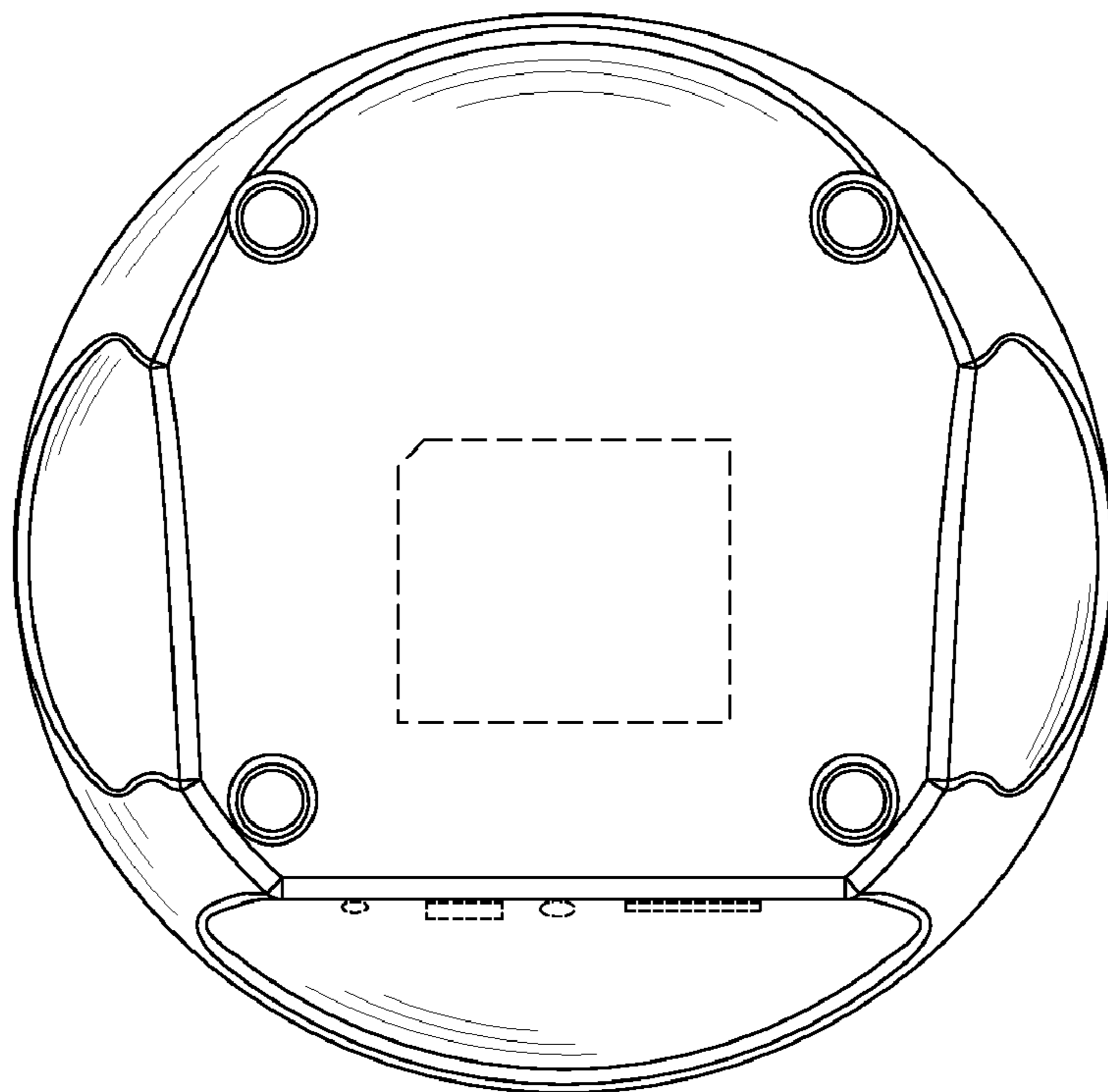


FIG. 6

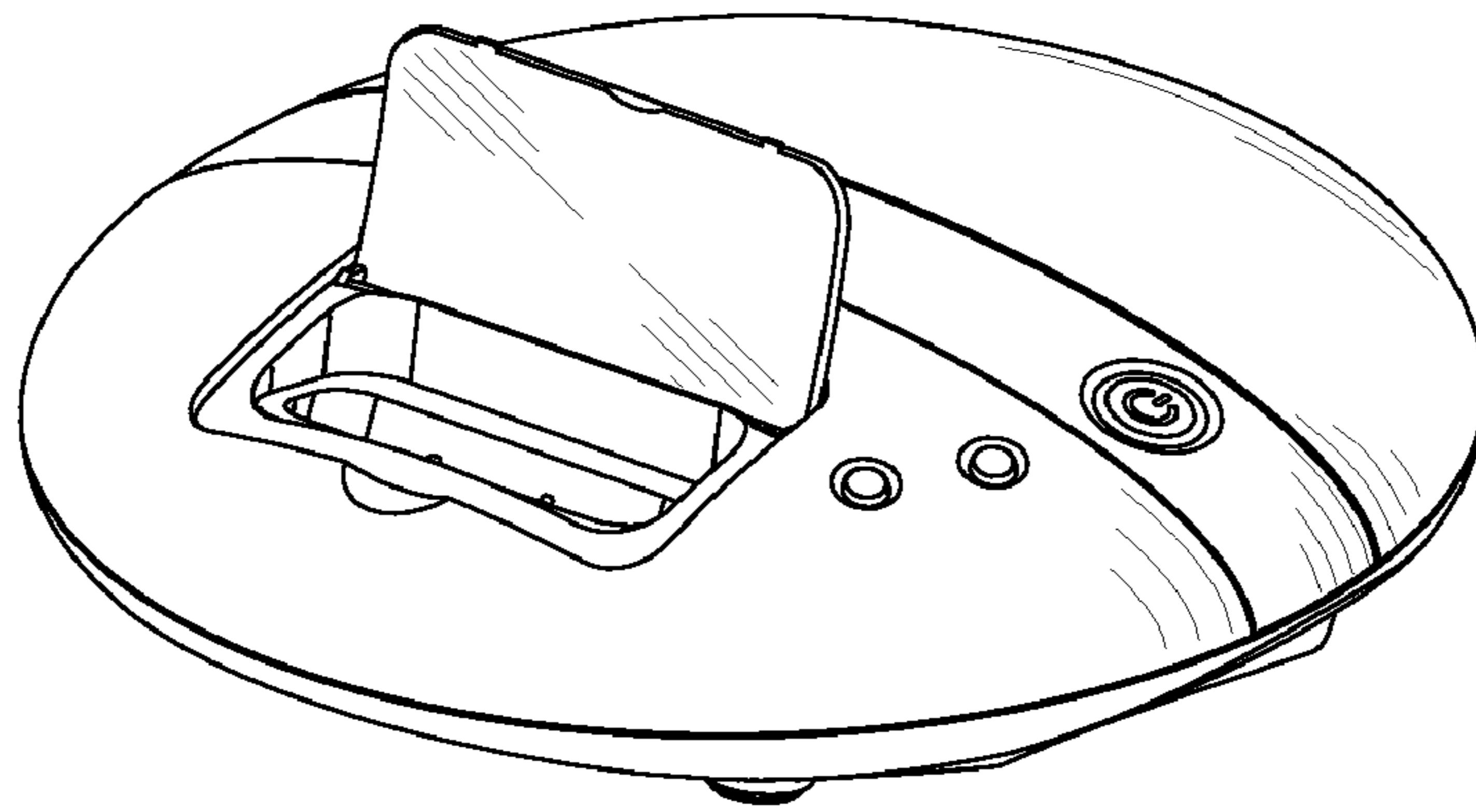


FIG. 7

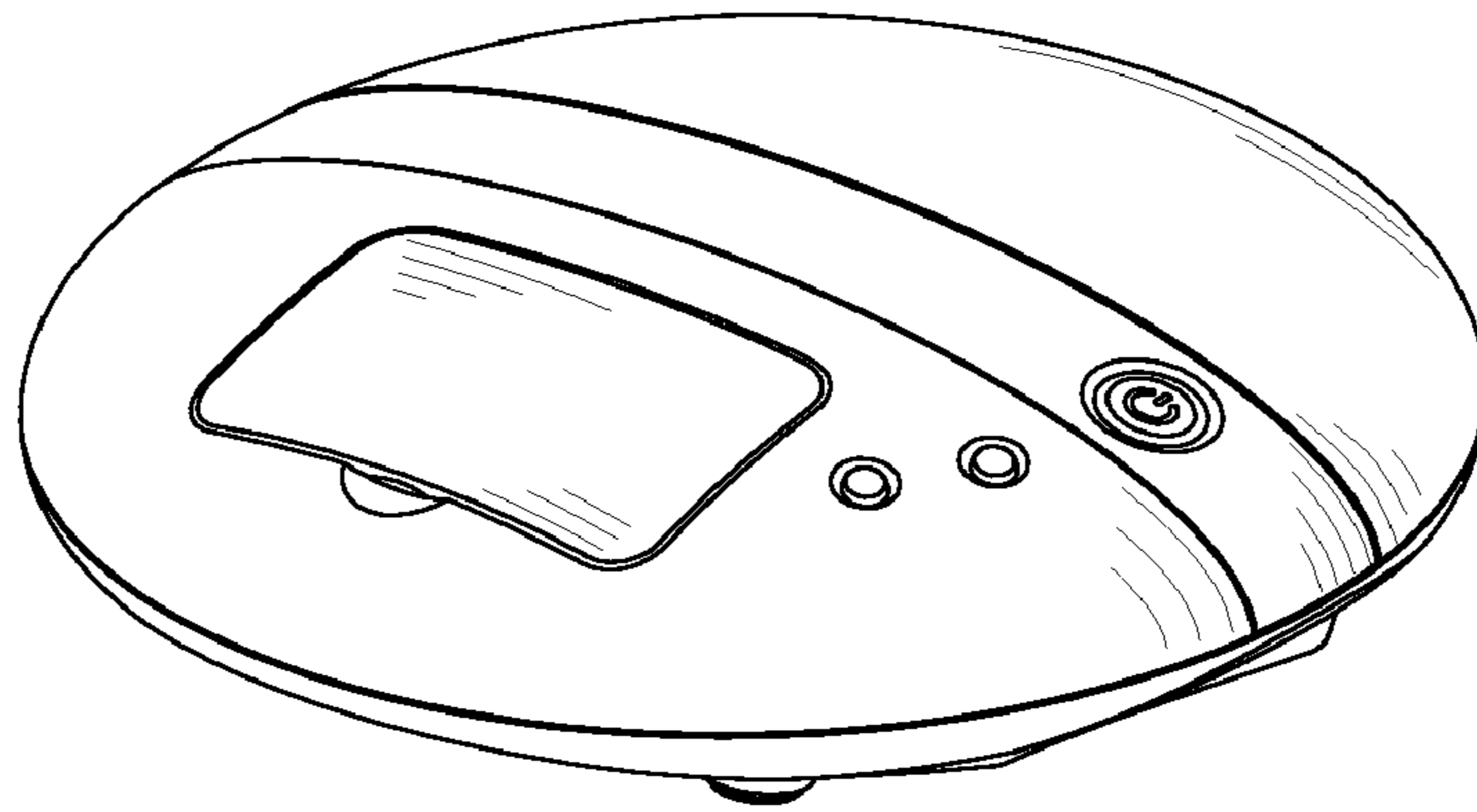


FIG. 8

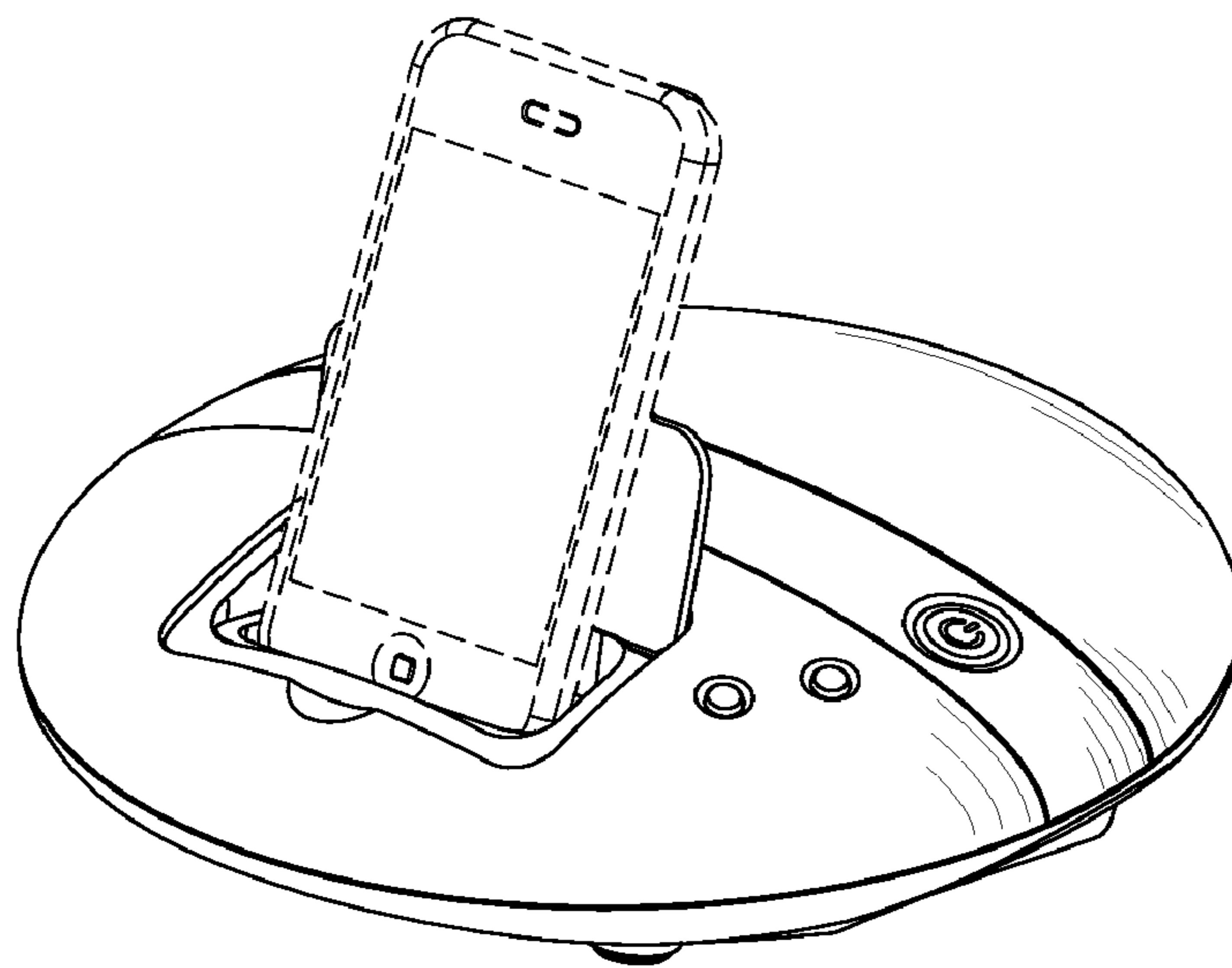


FIG. 9

UNITED STATES PATENT AND TRADEMARK OFFICE
CERTIFICATE OF CORRECTION

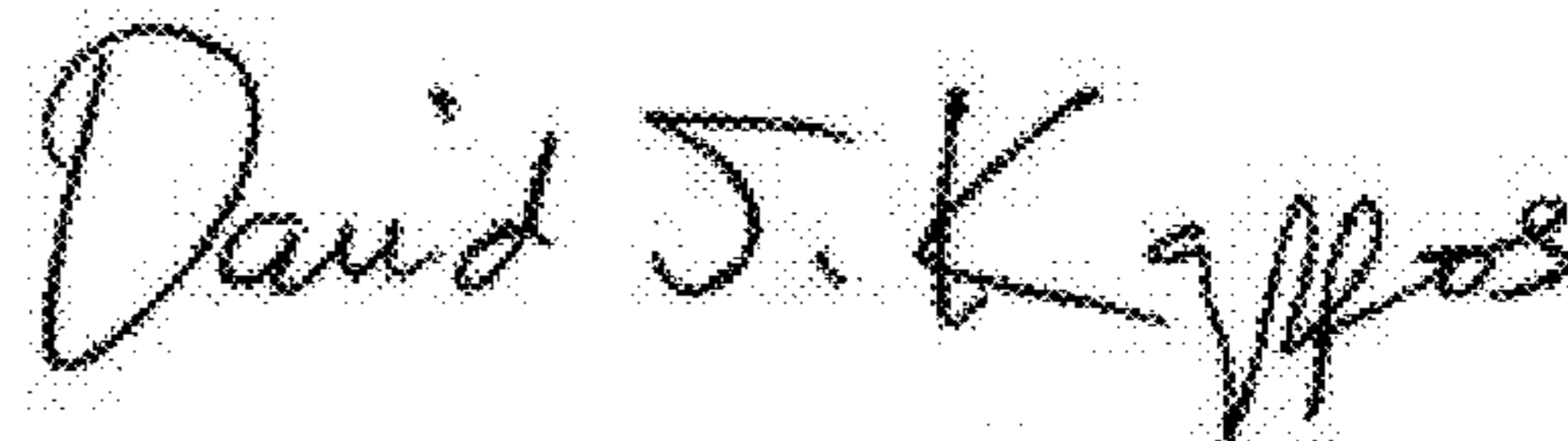
PATENT NO. : D627,832 S
APPLICATION NO. : 29/342541
DATED : November 23, 2010
INVENTOR(S) : Kangtai Xu

Page 1 of 1

It is certified that error appears in the above-identified patent and that said Letters Patent is hereby corrected as shown below:

Title page item [73] Assignee: should read Guangzhou Shiyuan Electronic Co., Ltd.

Signed and Sealed this
Twenty-fifth Day of January, 2011

A handwritten signature in black ink that reads "David J. Kappos". The signature is written in a cursive, slightly slanted style.

David J. Kappos
Director of the United States Patent and Trademark Office