



US00D627831S

(12) **United States Design Patent**
Tombazis

(10) **Patent No.:** **US D627,831 S**

(45) **Date of Patent:** **** Nov. 23, 2010**

(54) **STEERING WHEEL INCLUDING STEERING WHEEL FOR CARS AND STEERING WHEEL FOR GAME CONTROLLERS**

(75) Inventor: **Nikolaos Tombazis**, Castelnuovo Rangone (IT)

(73) Assignee: **Ferrari S.p.A.** (IT)

(**) Term: **14 Years**

(21) Appl. No.: **29/339,798**

(22) Filed: **Jul. 8, 2009**

(30) **Foreign Application Priority Data**

Jan. 9, 2009 (EP) 001067854
Jan. 9, 2009 (EP) 001067870

(51) **LOC (9) Cl.** **21-01**

(52) **U.S. Cl.** **D21/333**

(58) **Field of Classification Search** D21/324,
D21/328, 333, 320; D14/399, 400, 407,
D14/217; D12/175, 176, 177; 273/148 B;
463/1, 29-47; 74/552

See application file for complete search history.

(56) **References Cited**

U.S. PATENT DOCUMENTS

D270,460 S * 9/1983 Burtoft et al. D21/329
5,219,415 A * 6/1993 Weinstein 200/61.54
D410,970 S * 6/1999 Larian D21/329
D420,708 S * 2/2000 Holmes et al. D21/329
6,544,124 B2 * 4/2003 Ireland et al. 463/37
6,576,677 B1 * 6/2003 Ukai et al. 514/772.4

D500,028 S * 12/2004 Hoehn et al. D14/218
D549,653 S * 8/2007 Kent et al. D13/139.6
7,316,618 B2 * 1/2008 Hsu 463/37
D591,653 S * 5/2009 Corradi D12/176
D592,114 S * 5/2009 Tombazis D12/176
2008/0191415 A1 * 8/2008 Arche et al. 273/148 B

* cited by examiner

Primary Examiner—Prabhakar Deshmukh

(74) *Attorney, Agent, or Firm*—Cantor Colburn LLP

(57) **CLAIM**

The ornamental design for a steering wheel including steering wheel for cars and steering wheel for game controllers, as shown and described.

DESCRIPTION

FIG. 1 is a front perspective view of a steering wheel including steering wheel for cars and steering wheel for game controllers, showing my new design;

FIG. 2 is a front elevation view thereof;

FIG. 3 is a rear elevation view thereof;

FIG. 4 is a top view thereof;

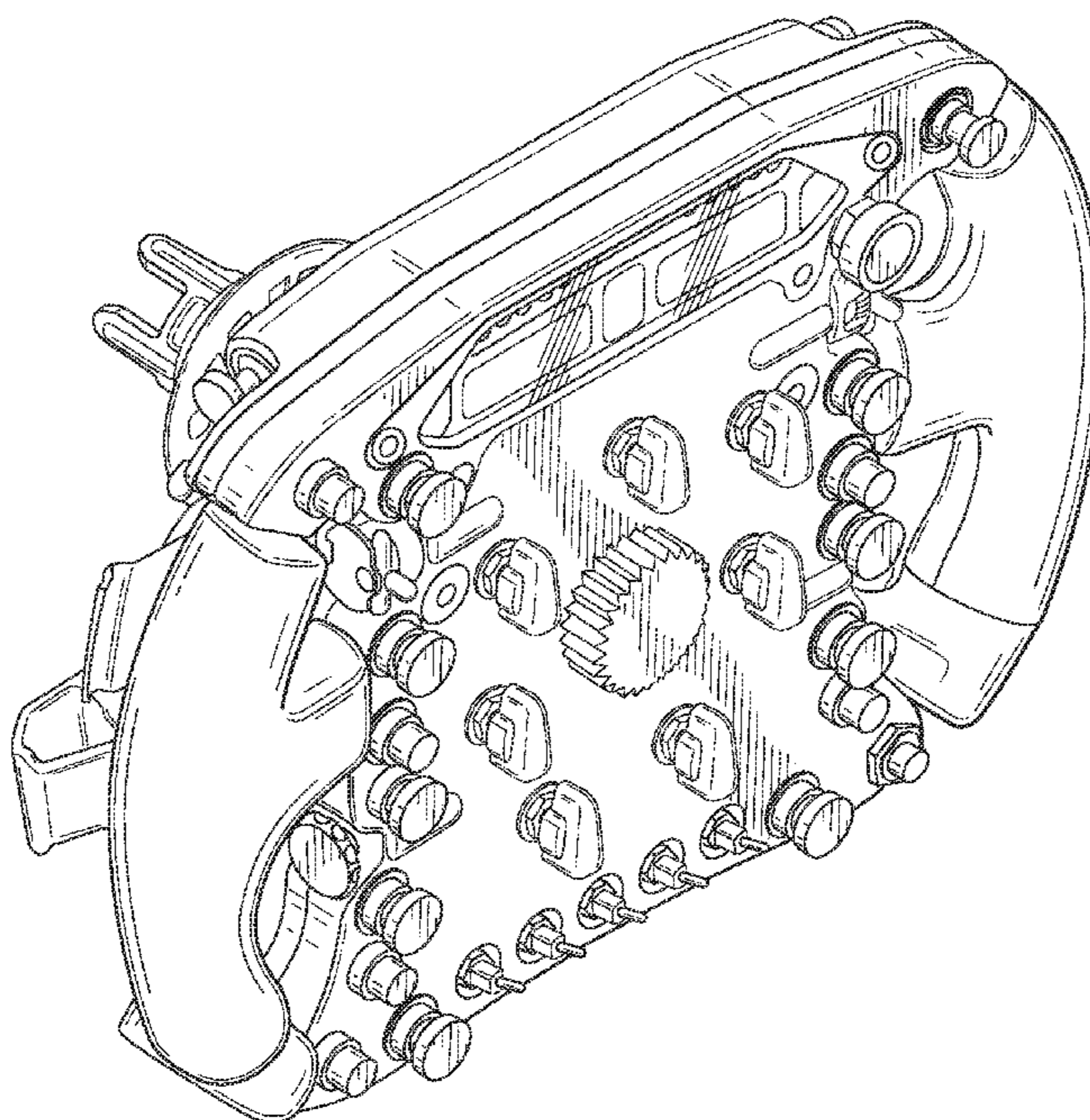
FIG. 5 is a bottom view thereof;

FIG. 6 is a side view thereof taken from the right of FIG. 2; and,

FIG. 7 is a side view thereof taken from the left of FIG. 2.

The drawings include elements shown in broken lines for illustrative purposes only; these elements do not form part of the claimed design.

1 Claim, 7 Drawing Sheets



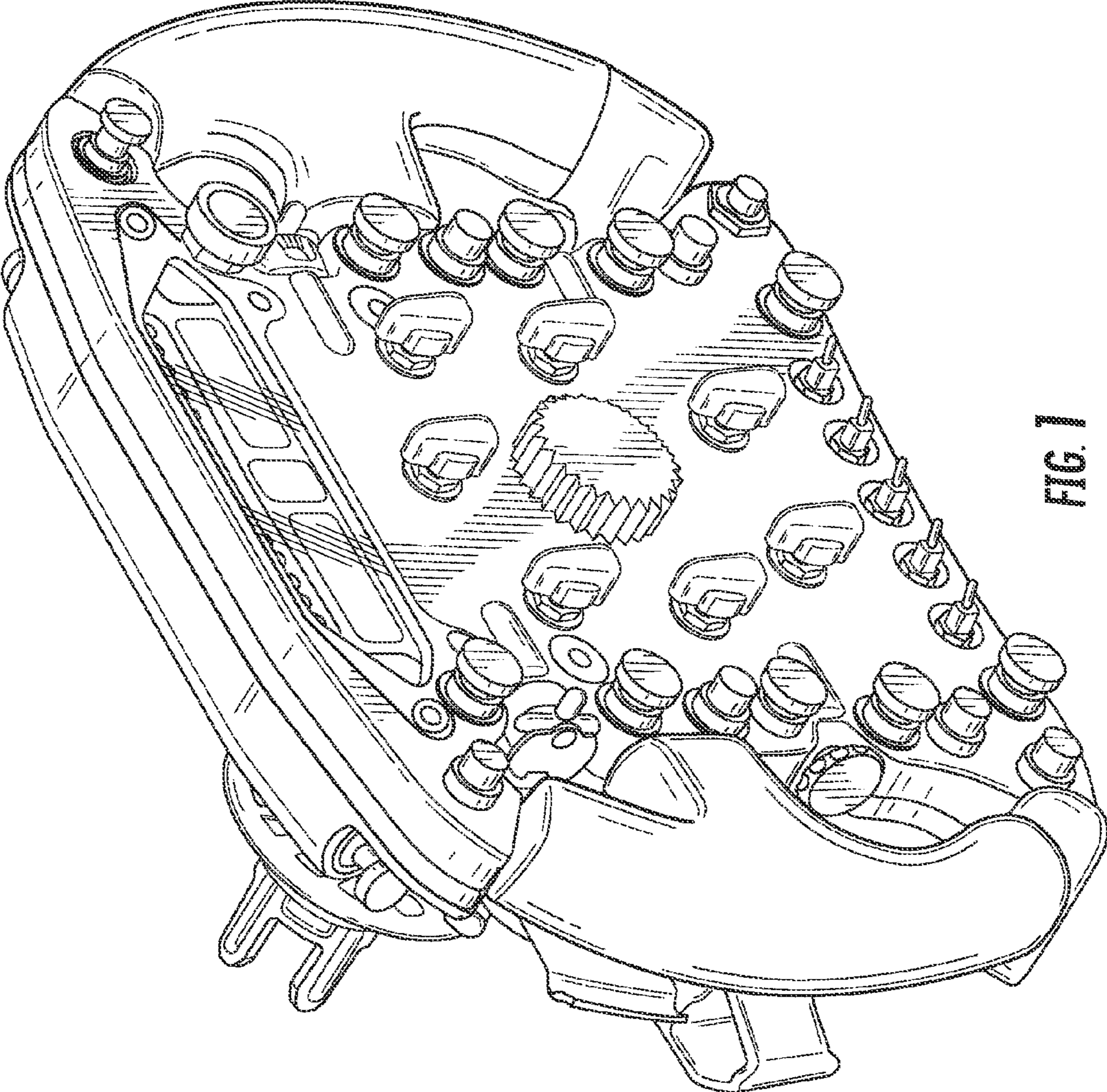


FIG. 1

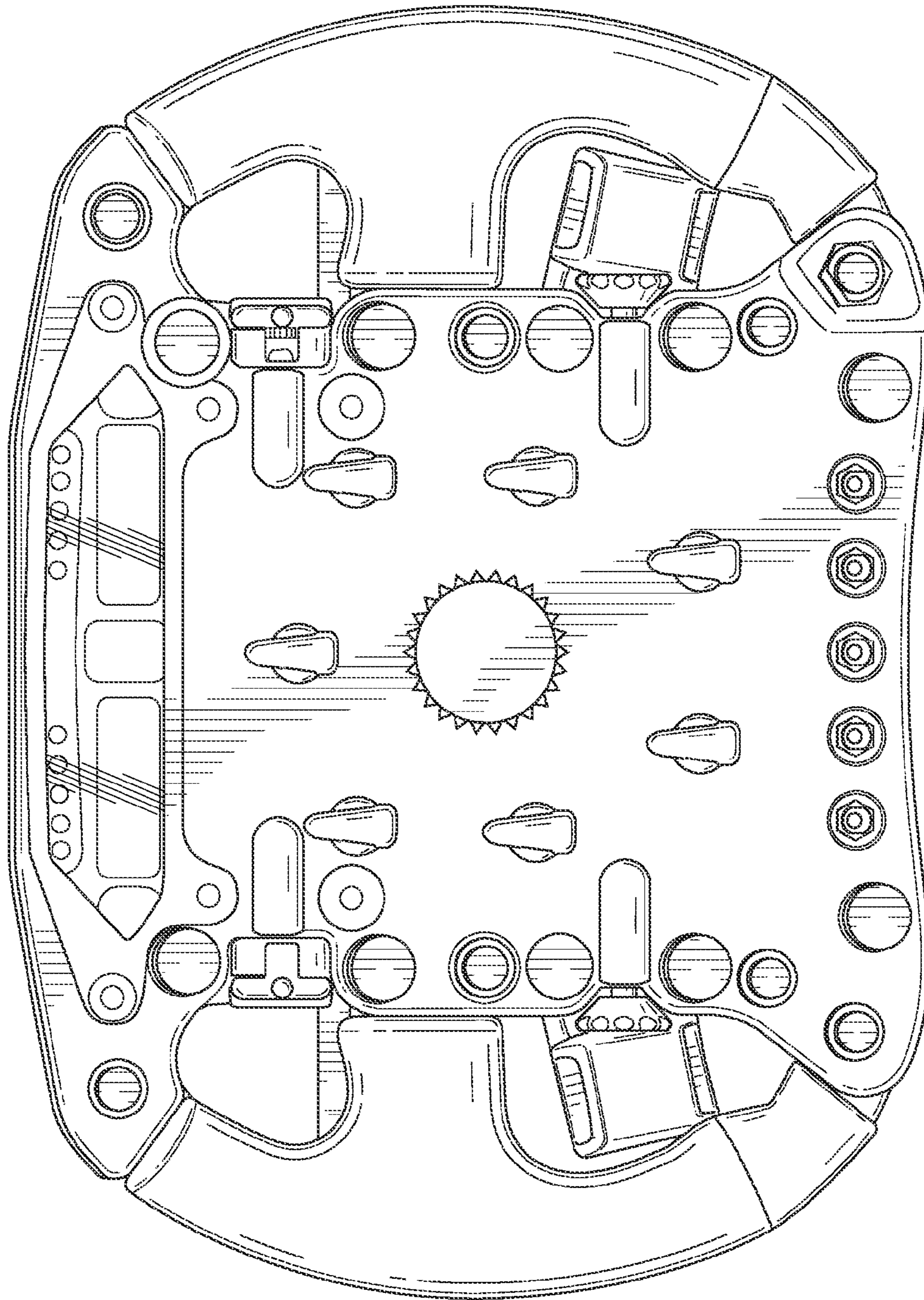


FIG. 2

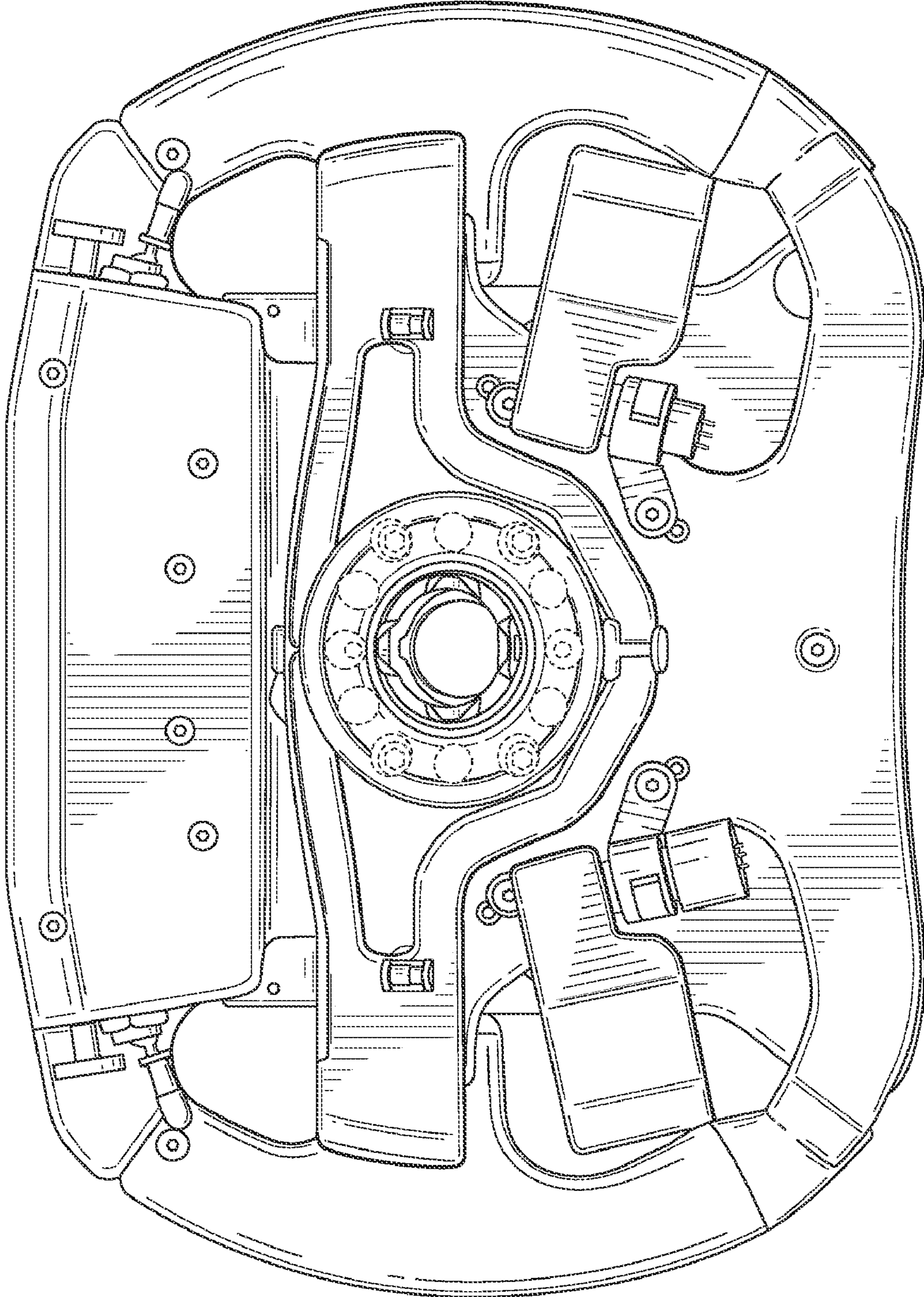


FIG. 3

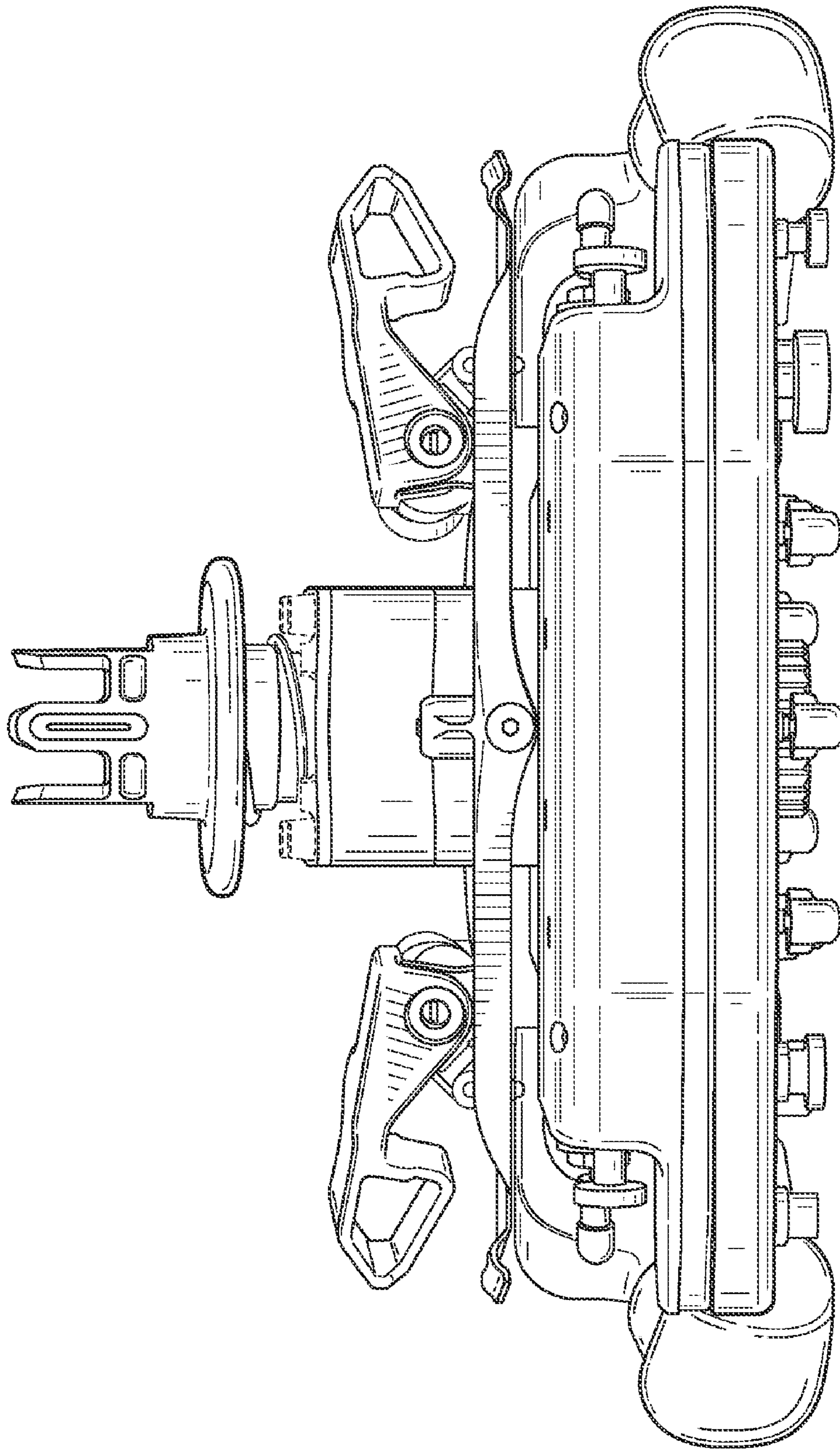


FIG. 4

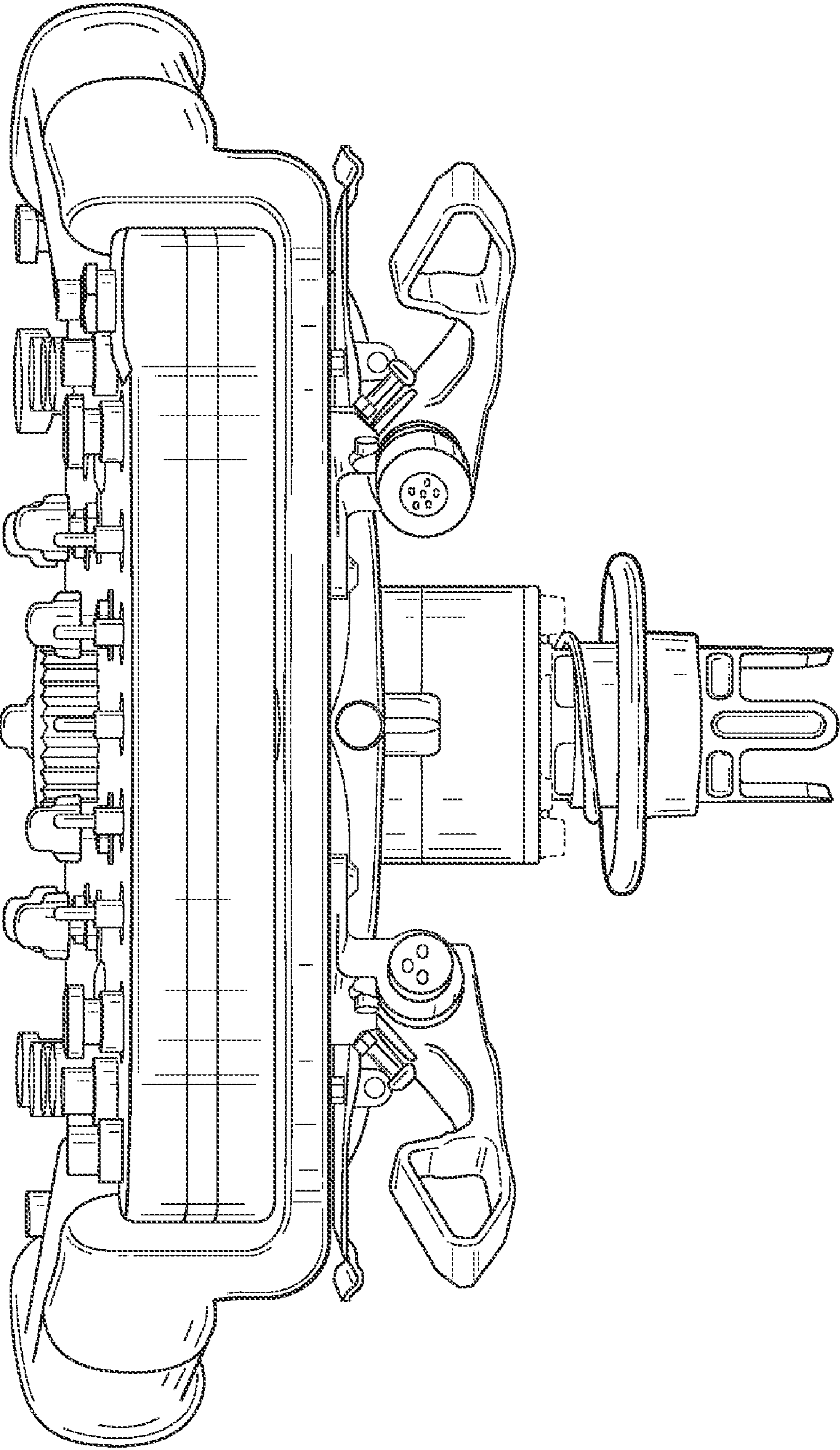


FIG. 5

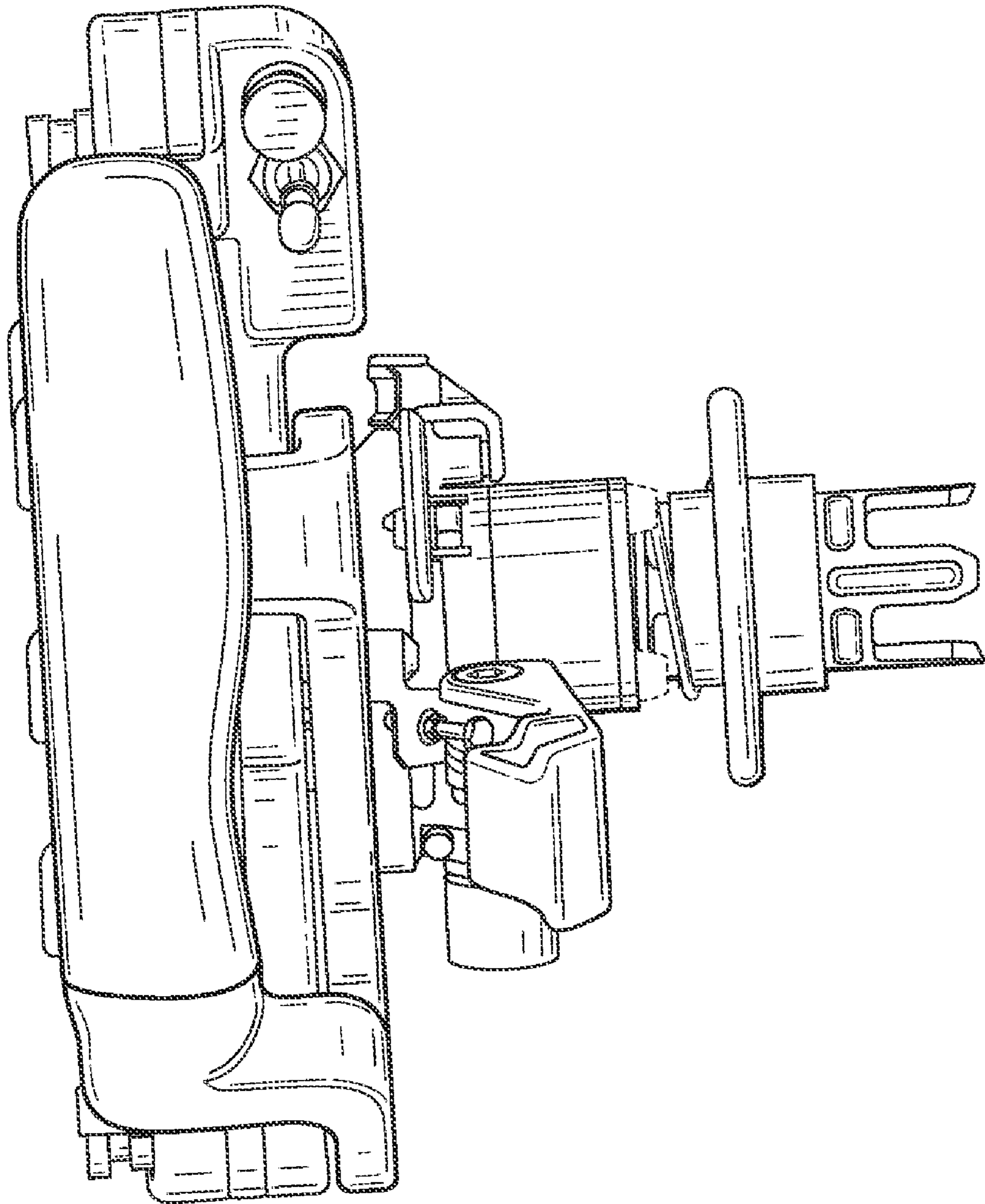


FIG. 6

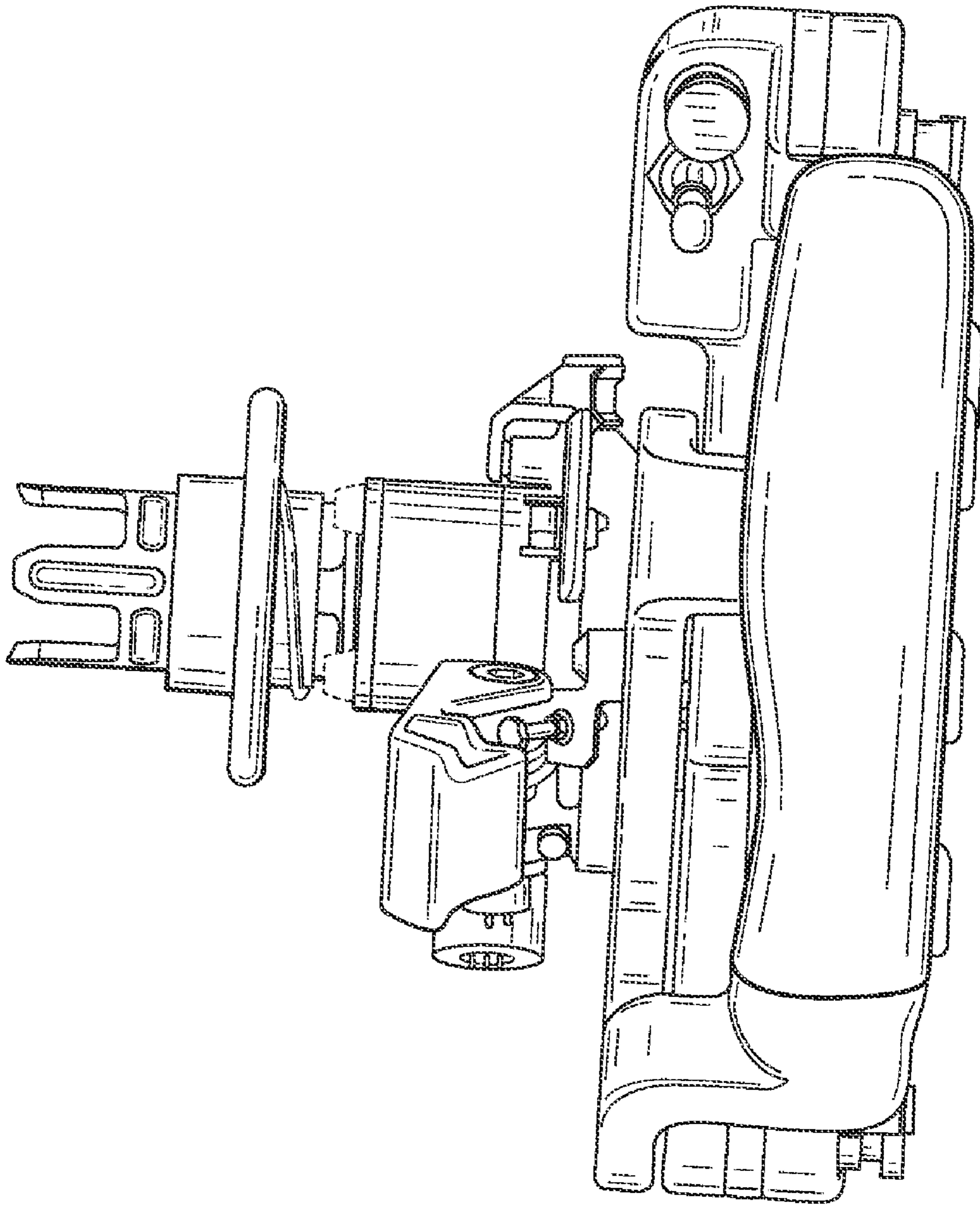


FIG. 7