



US00D627830S

(12) **United States Design Patent**
Araki et al.

(10) **Patent No.:** **US D627,830 S**

(45) **Date of Patent:** **** Nov. 23, 2010**

(54) **GAME DEVICE**

(75) Inventors: **Makoto Araki**, Tokyo (JP); **Ryo Matsumoto**, Tokyo (JP); **Takayuki Takeda**, Tokyo (JP)

(73) Assignees: **Kabushiki Kaisha Bandai**, Tokyo (JP); **WiZ Co., Ltd.**, Tokyo (JP)

(**) Term: **14 Years**

(21) Appl. No.: **29/347,578**

(22) Filed: **Mar. 5, 2010**

(30) **Foreign Application Priority Data**

Sep. 30, 2009 (JP) 2009-022727

(51) **LOC (9) Cl.** **21-01**

(52) **U.S. Cl.** **D21/329; D21/333**

(58) **Field of Classification Search** D14/496,
D14/230, 236; D21/324-333; 273/148 B;
463/1, 35-40, 46, 47; 343/901, 872, 873;
349/1, 2, 11, 16; 706/11, 45, 58; 446/175
See application file for complete search history.

(56) **References Cited**

U.S. PATENT DOCUMENTS

D238,098 S	12/1975	Fink	
D262,723 S	1/1982	Dweck	
D397,728 S *	9/1998	Yuen et al. D21/333
D398,859 S	9/1998	Yokoi	
D399,536 S	10/1998	Siu Fai	
D405,125 S	2/1999	Yokoi	
D405,475 S	2/1999	Yokoi	
D407,780 S	4/1999	Yokoi	
D424,626 S	5/2000	Goto	
D425,571 S *	5/2000	Goto D21/329
D426,858 S	6/2000	Straus et al.	
D428,447 S *	7/2000	Tang D21/329
6,227,966 B1 *	5/2001	Yokoi 463/1
D446,822 S	8/2001	Kenji	

D446,823 S	8/2001	Podd et al.	
6,287,193 B1 *	9/2001	Rehkemper et al. 463/1
D468,365 S	1/2003	Bransky et al.	
D489,130 S	1/2003	Sasaki	
6,652,383 B1 *	11/2003	Sonoda et al. 463/43
7,018,294 B2 *	3/2006	Silverbrook et al. 463/30
D522,587 S *	6/2006	Yokoi D21/324
7,104,884 B2 *	9/2006	Yokoi 463/7
D538,821 S	3/2007	Bender	
D546,397 S	7/2007	Sakurai	
D557,747 S	12/2007	Nagano	
D579,428 S	10/2008	Lee	
D581,989 S	12/2008	Nakamura	
D590,839 S	4/2009	Lewis	
D596,053 S	7/2009	Daicos	
D616,415 S	5/2010	Lum et al.	
2003/0216160 A1 *	11/2003	Yokoi 463/1

* cited by examiner

Primary Examiner—Prabhakar Deshmukh

(74) *Attorney, Agent, or Firm*—Rabin & Berdo, PC

(57) **CLAIM**

The ornamental design for a game device, as shown and described.

DESCRIPTION

FIG. 1 is a front elevational view of a game device showing our new design;

FIG. 2 is a rear elevational view thereof;

FIG. 3 is a right side elevational view thereof;

FIG. 4 is a left side elevational view thereof;

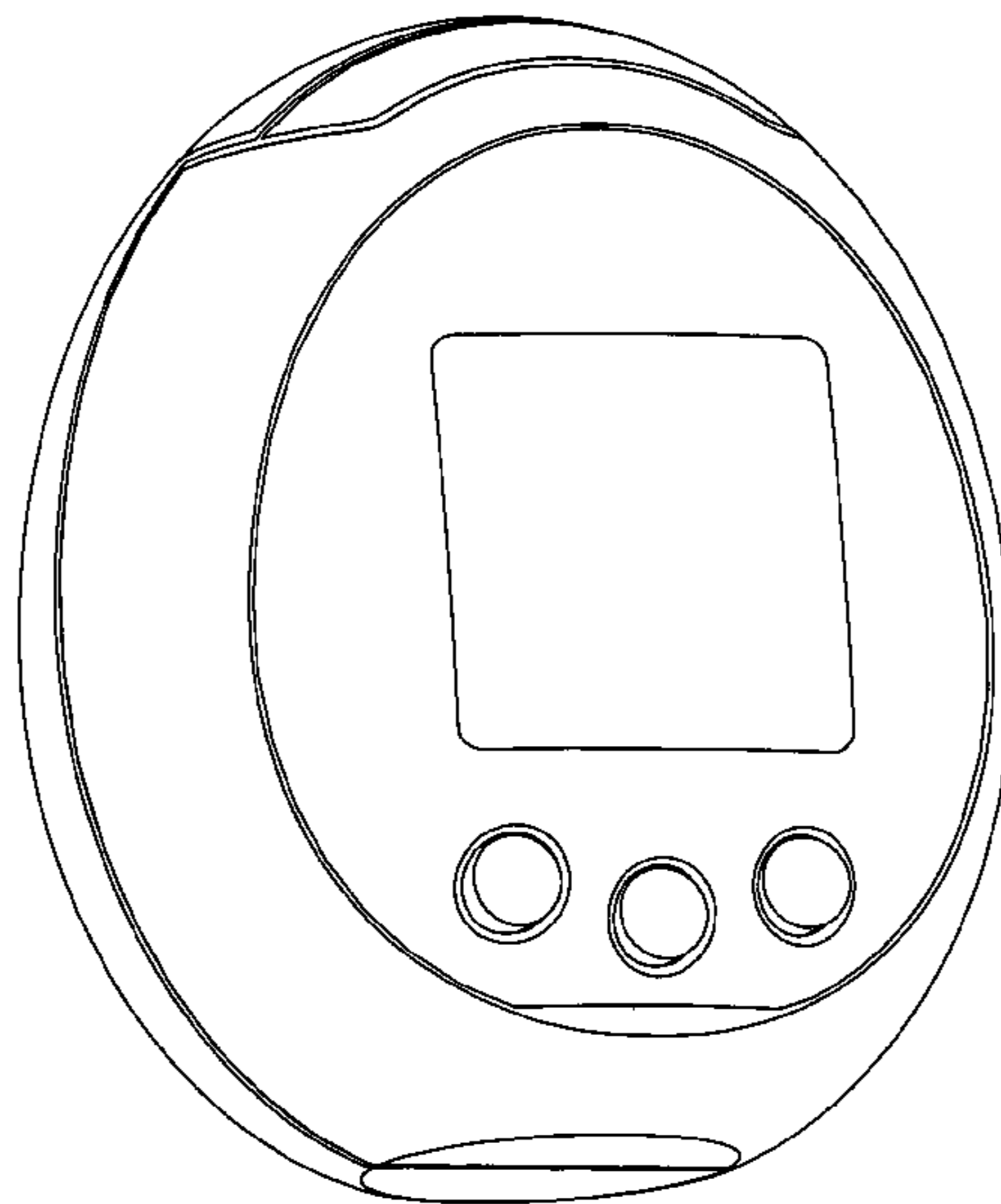
FIG. 5 is a top plan view thereof;

FIG. 6 is a bottom plan view thereof; and,

FIG. 7 is a perspective view thereof.

The broken lines are for illustrative purpose only and form no part of the claimed design.

1 Claim, 7 Drawing Sheets



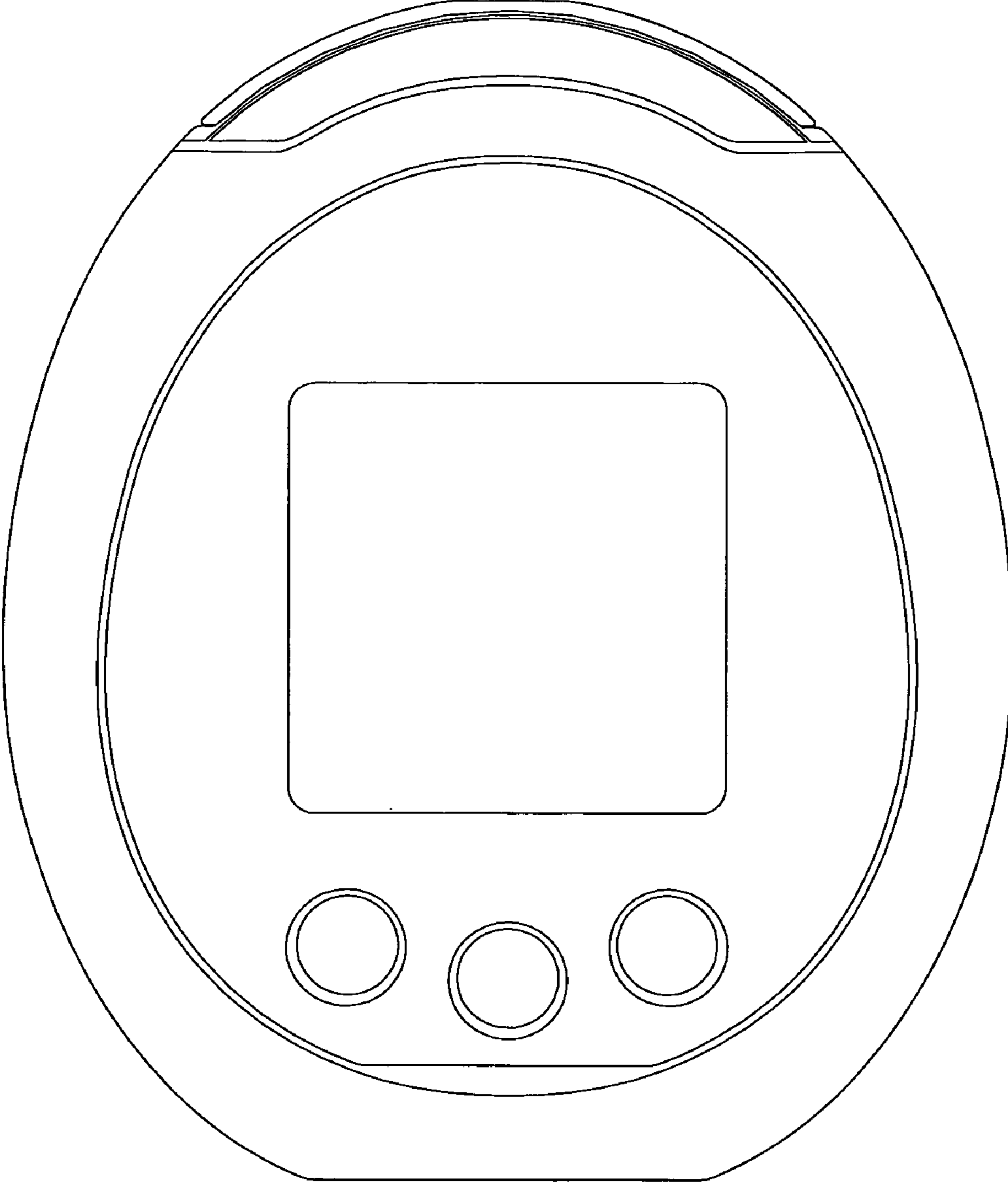


FIG. 1

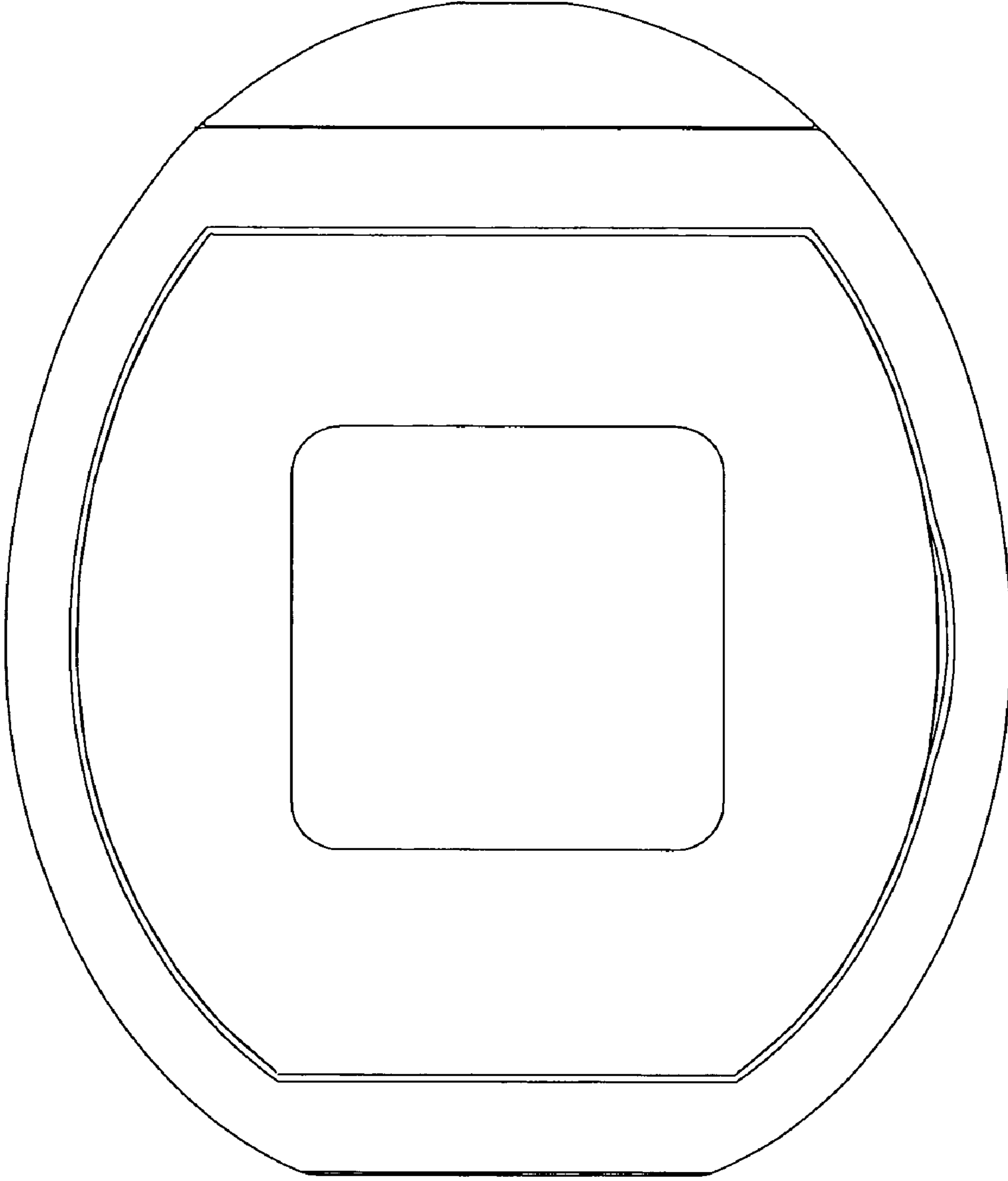


FIG. 2

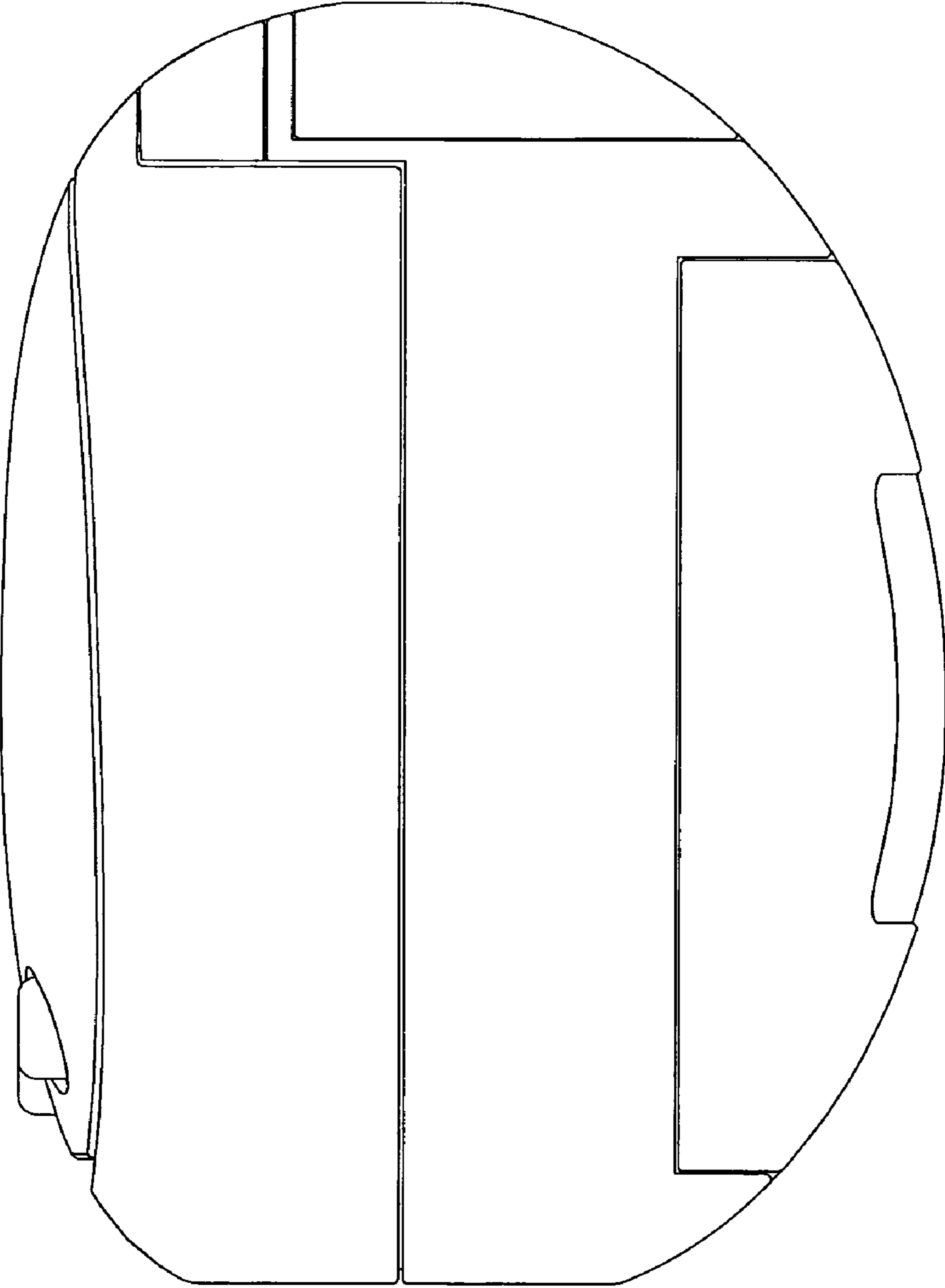


FIG. 3

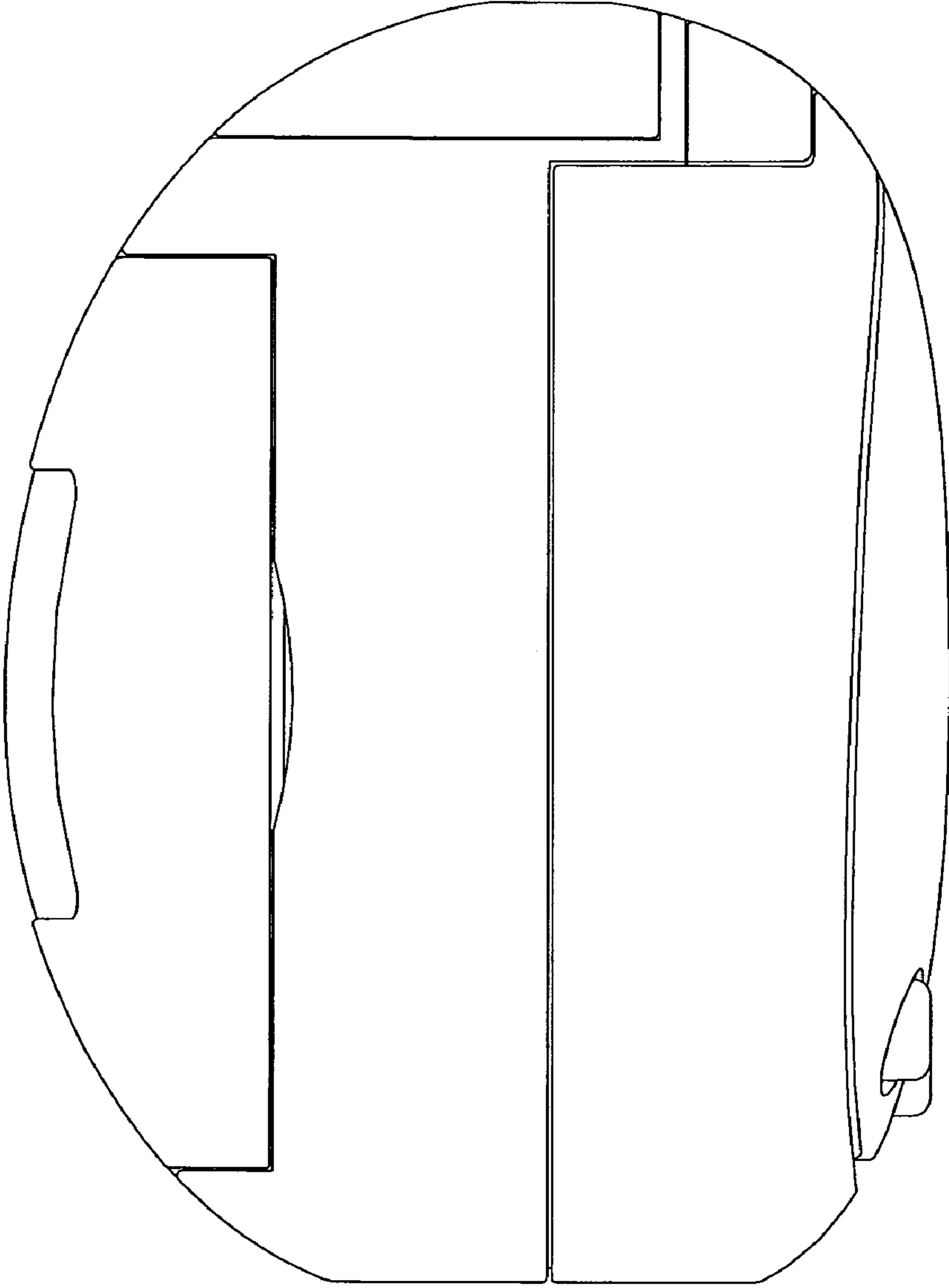


FIG. 4

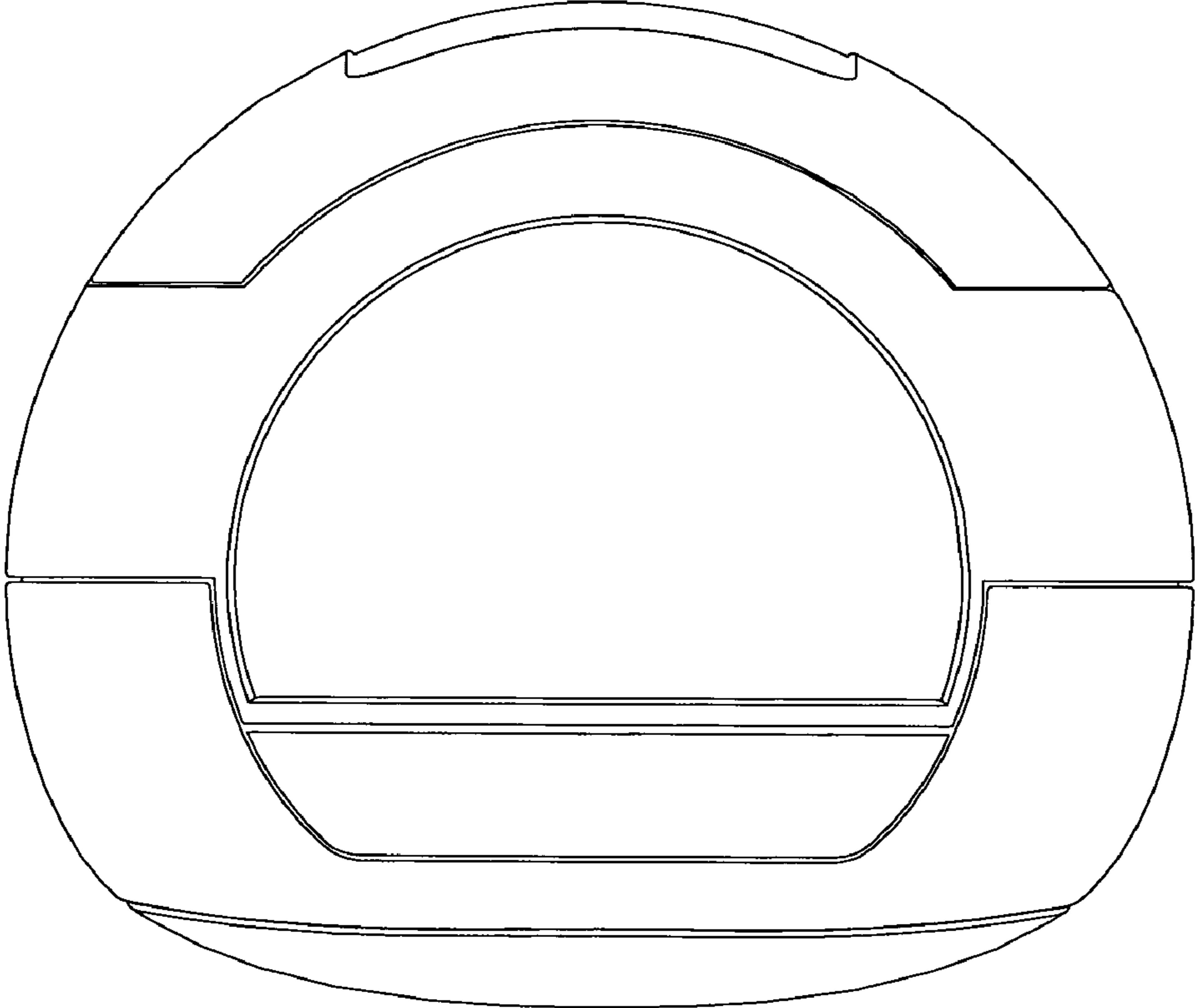


FIG. 5

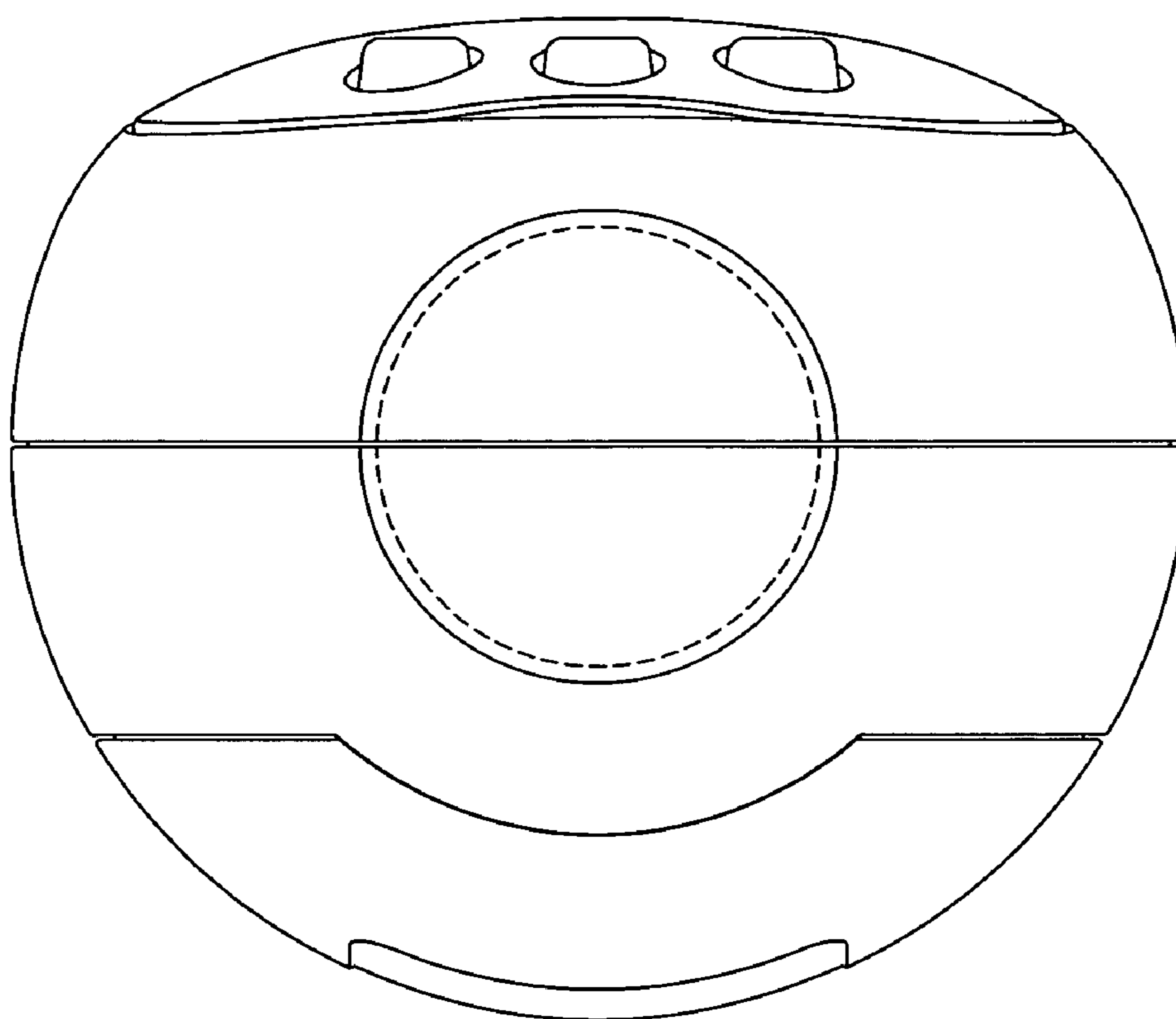


FIG. 6

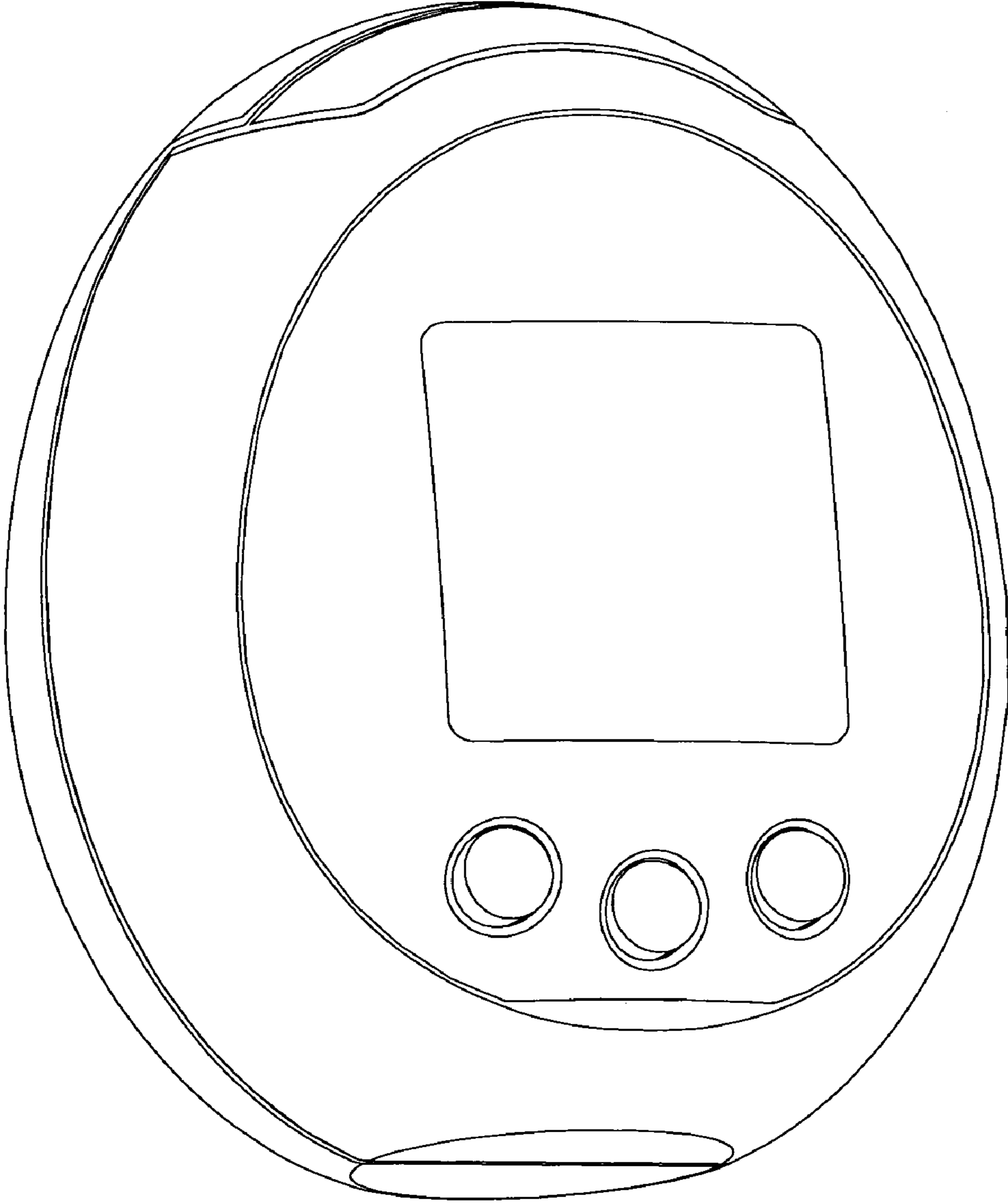


FIG. 7