



US00D627828S

(12) **United States Design Patent**  
**Ricci et al.**

(10) **Patent No.:** **US D627,828 S**

(45) **Date of Patent:** **\*\* \*Nov. 23, 2010**

(54) **SHELF SIGN**

5,344,250 A 9/1994 Kringel et al.  
D399,260 S \* 10/1998 Thimote ..... D20/17

(75) Inventors: **John Ricci**, Kleinburg (CA); **Frank Borges**, Oakville (CA)

(Continued)

(73) Assignee: **Dana Industries Inc.**, Etobicoke (CA)

*Primary Examiner*—Mary Ann Calabrese  
(74) *Attorney, Agent, or Firm*—Santosh K. Chari; Blake, Casseis & Graydon LLP

(\*) Notice: This patent is subject to a terminal disclaimer.

(57) **CLAIM**

(\*\*) Term: **14 Years**

The ornamental design for a shelf sign, as shown and described.

(21) Appl. No.: **29/344,076**

(22) Filed: **Sep. 23, 2009**

**DESCRIPTION**

**Related U.S. Application Data**

(63) Continuation-in-part of application No. 29/334,246, filed on Mar. 23, 2009.

FIG. 1 is a rear, left side perspective view of the design.

(51) **LOC (9) Cl.** ..... **20-03**

(52) **U.S. Cl.** ..... **D20/29**

(58) **Field of Classification Search** ..... D20/10, D20/17, 19, 22, 29, 39-43, 99; 40/124.01, 40/124.02, 124.04, 124.06, 124.09, 124.14, 40/124.19, 124.191, 299.01, 538-542, 591, 40/638, 642.02, 649, 650, 652, 661.03, 661.09; D10/104, 109; 211/86.01; 283/56, 71, 81; 362/812

FIG. 2 is a front, left side perspective view of the design of FIG. 1.

FIG. 3 is a front, right side perspective view of the design of FIG. 1.

FIG. 4 is a rear, right side perspective view of the design of FIG. 1.

FIG. 5 is a right side view of the design of FIG. 1.

FIG. 6 is a rear, left side perspective view of another embodiment of the design.

FIG. 7 is a front, left side perspective view of the design of FIG. 6.

FIG. 8 is a front, right side perspective view of the design of FIG. 6.

FIG. 9 is a rear, left side perspective view of another embodiment of the design.

FIG. 10 is a front, left side perspective view of the design of FIG. 9.

FIG. 11 is a front, right side perspective view of the design of FIG. 9; and,

FIG. 12 is a front view of the design of FIG. 9.

In the drawings, the broken lines illustrate environment and do not form part of the claimed design.

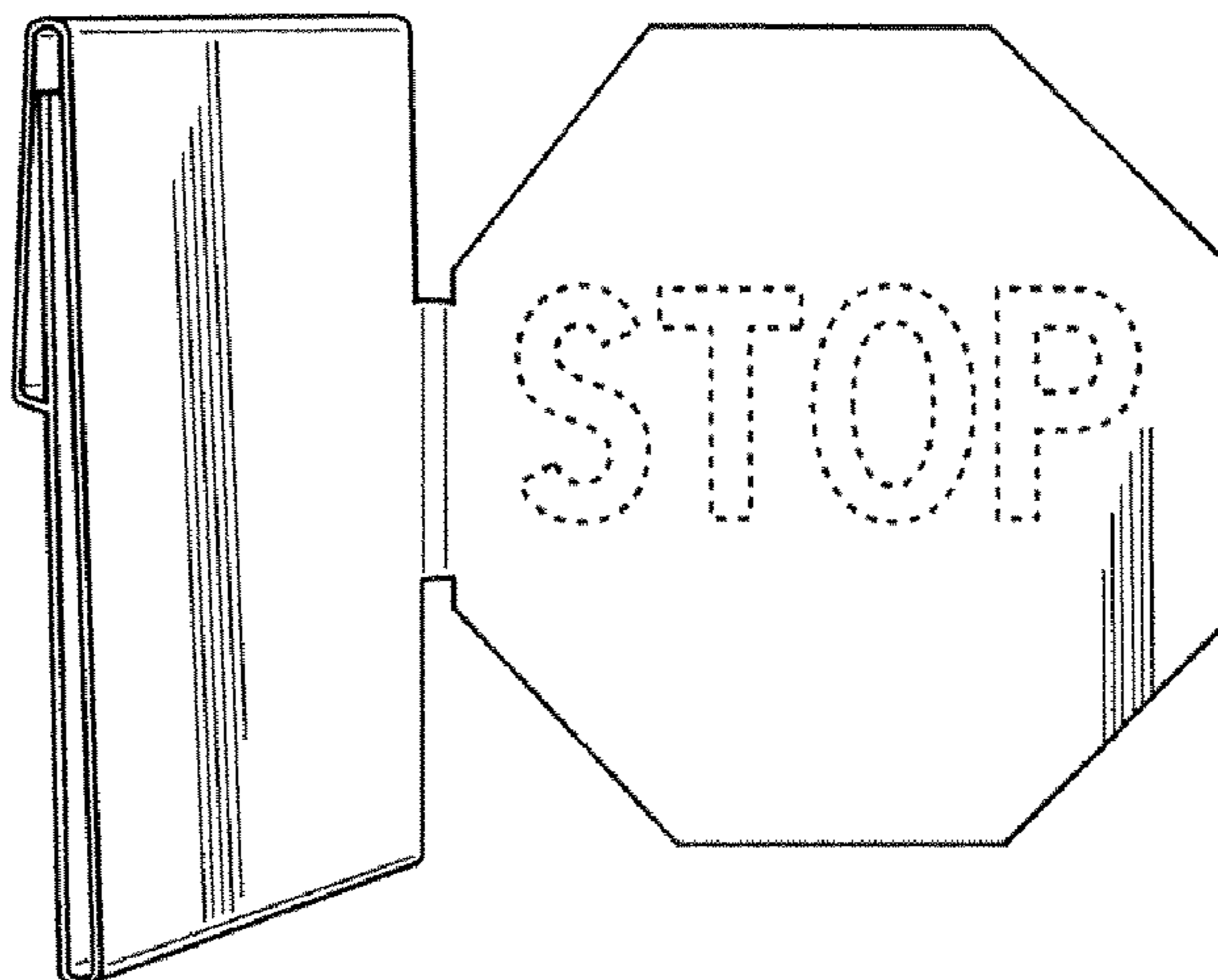
See application file for complete search history.

(56) **References Cited**

**U.S. PATENT DOCUMENTS**

- 2,297,888 A \* 10/1942 Heileman ..... 40/649
- 2,720,044 A \* 10/1955 Montalto ..... 40/649
- 2,838,860 A \* 6/1958 Finnerty et al. .... 40/650
- 3,423,860 A \* 1/1969 Berry et al. .... 40/652
- 3,774,328 A \* 11/1973 Tanney ..... 40/661.09
- 3,903,629 A \* 9/1975 Gruna ..... 40/591
- 3,977,109 A \* 8/1976 Berry et al. .... 40/124.05
- 4,306,366 A \* 12/1981 Taub ..... 40/649
- 4,338,739 A \* 7/1982 Greenberger ..... 40/584
- 4,798,014 A \* 1/1989 Stoerzinger et al. .... 40/642.02

**1 Claim, 4 Drawing Sheets**



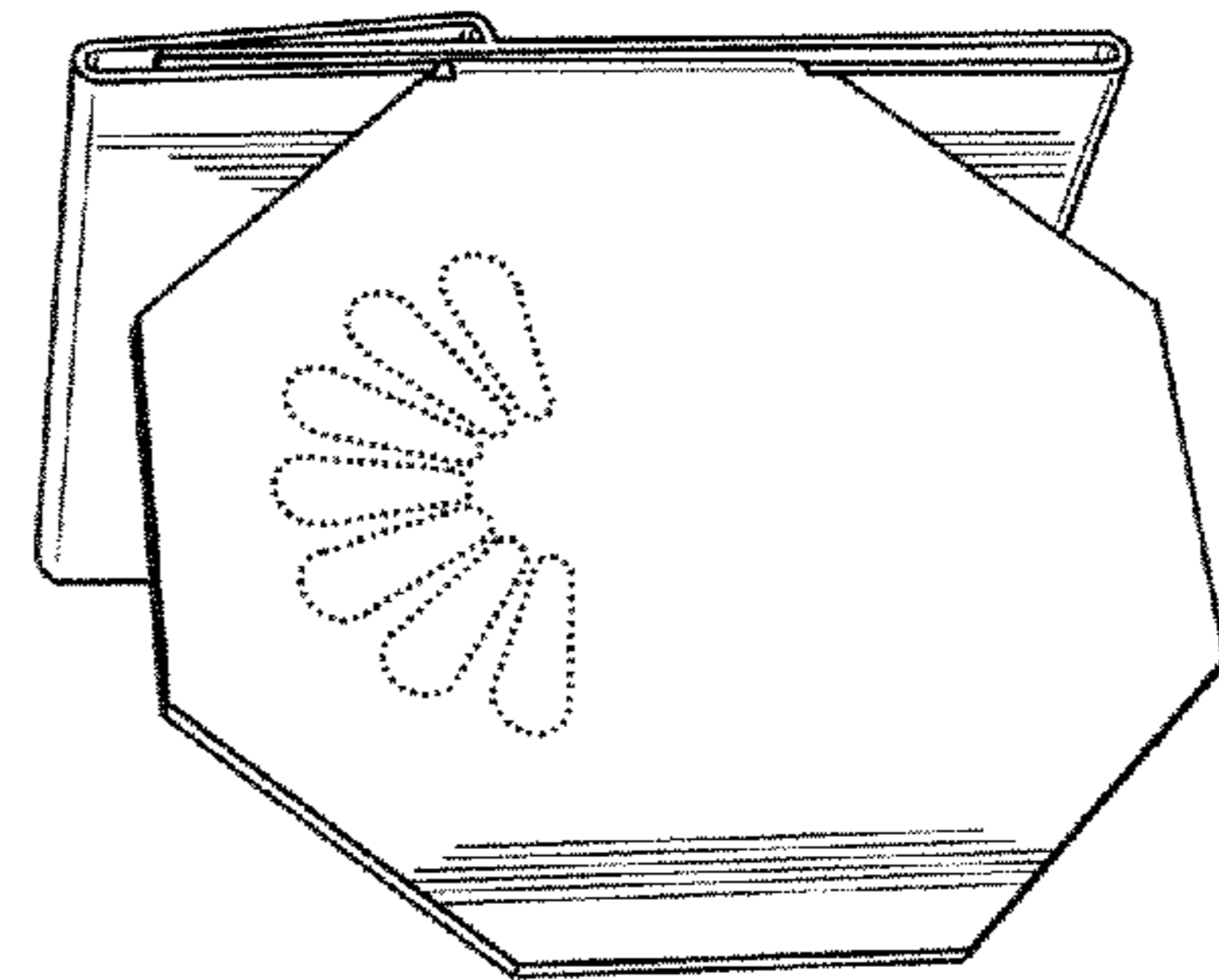
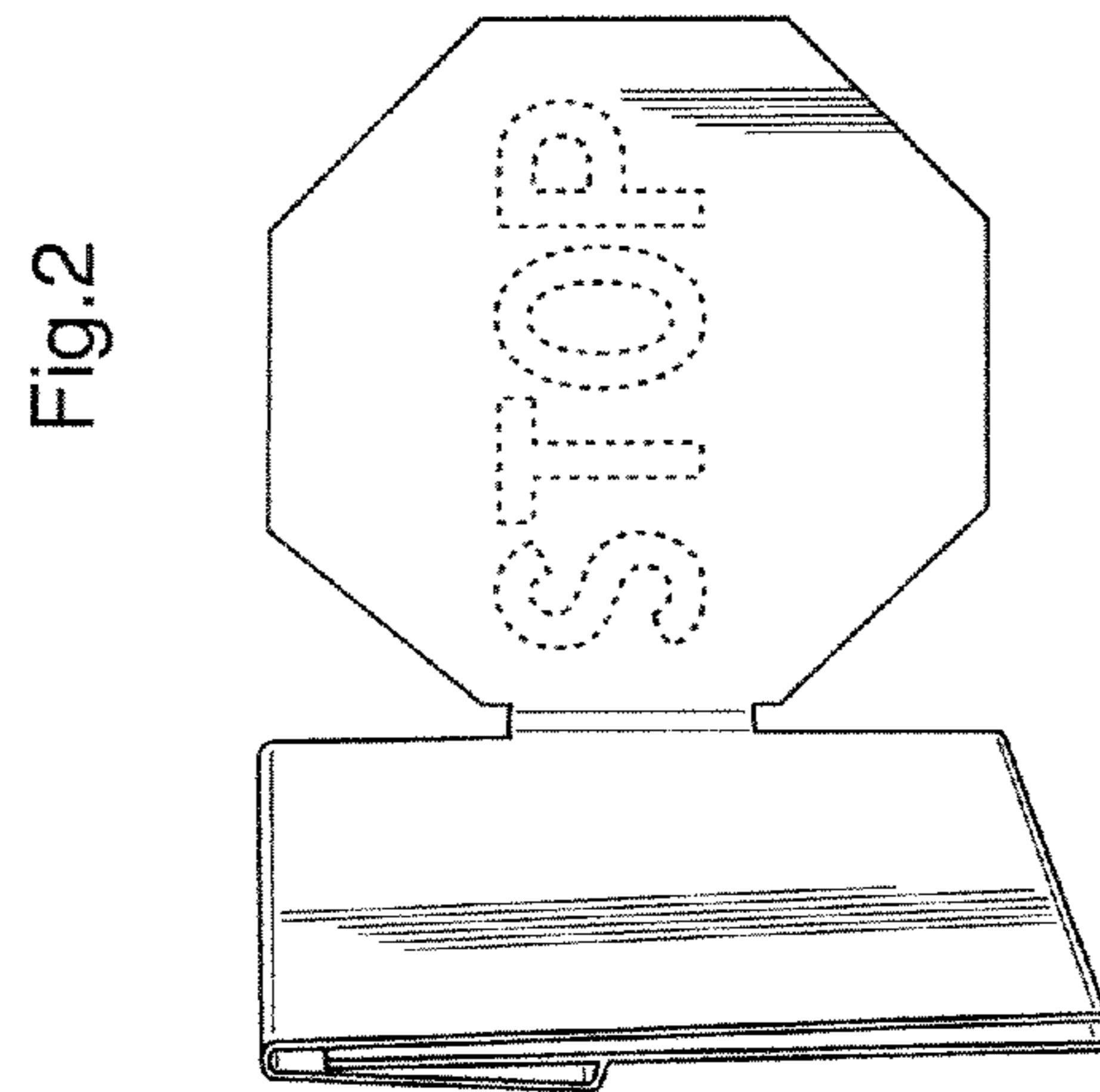
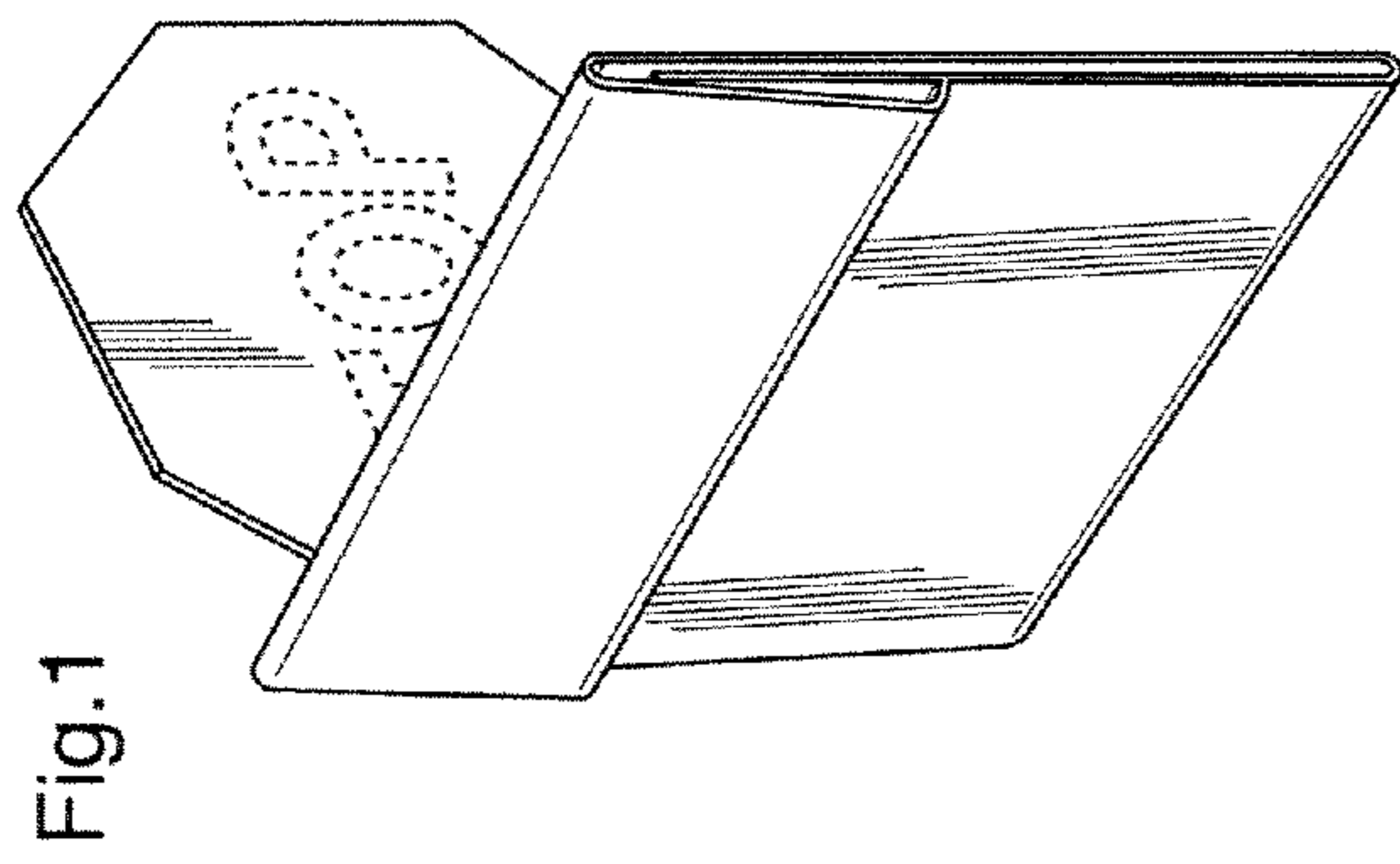
# US D627,828 S

Page 2

---

U.S. PATENT DOCUMENTS			
5,832,644	A	11/1998	Mason
5,967,343	A *	10/1999	Dufresne ..... 211/86.01
6,354,546	B1	3/2002	Mueller
6,581,312	B2	6/2003	Padiak et al.
6,817,127	B2 *	11/2004	Gottlieb et al. .... 40/661.03
6,981,343	B2	1/2006	Rawlings et al.
7,009,524	B2	3/2006	Capurso et al.
7,401,430	B2	7/2008	Lindquist et al.
7,587,849	B2 *	9/2009	Robbins et al. .... 40/661.03
2003/0131512	A1 *	7/2003	Chess et al. .... 40/638

\* cited by examiner



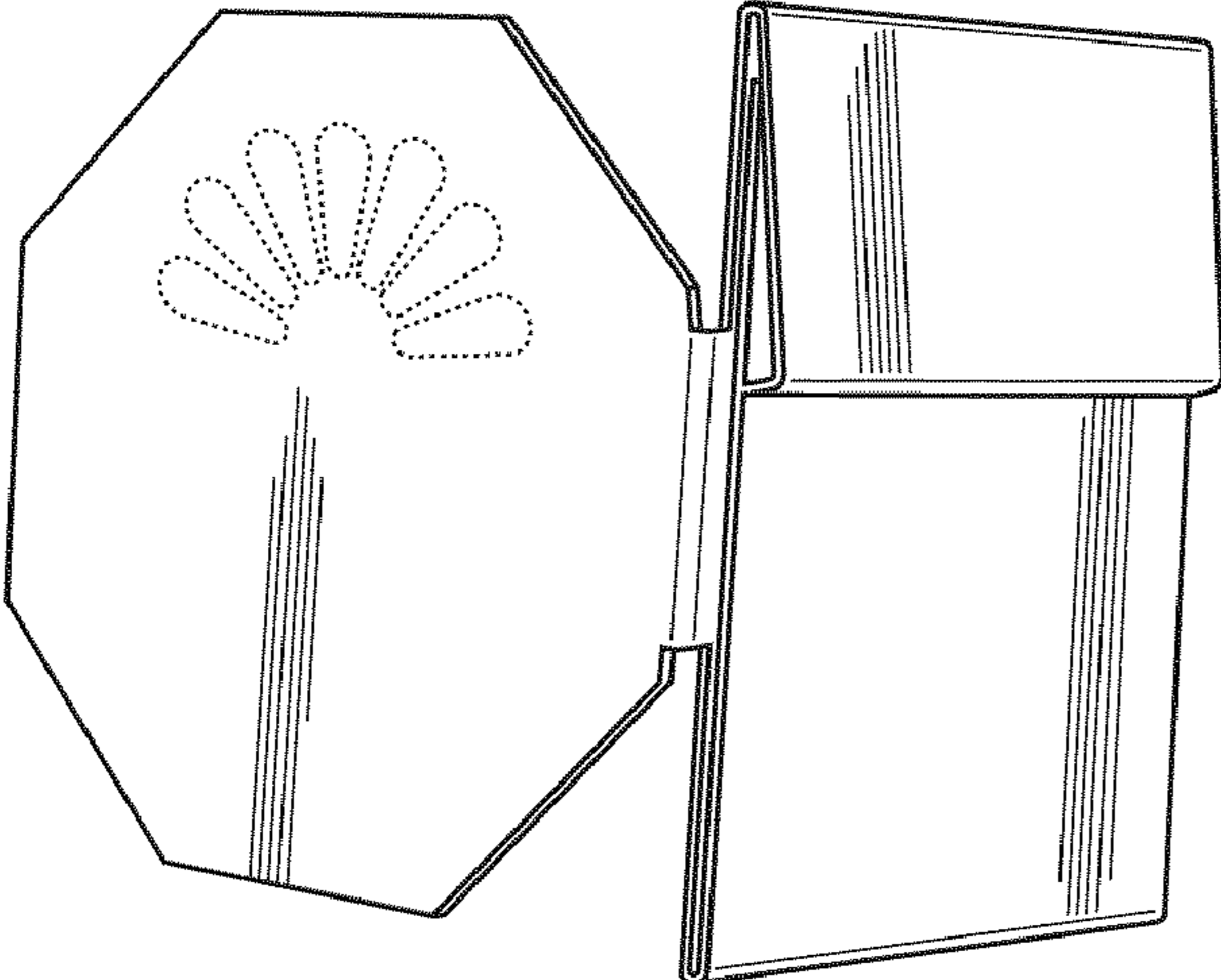


Fig.4

Fig.5

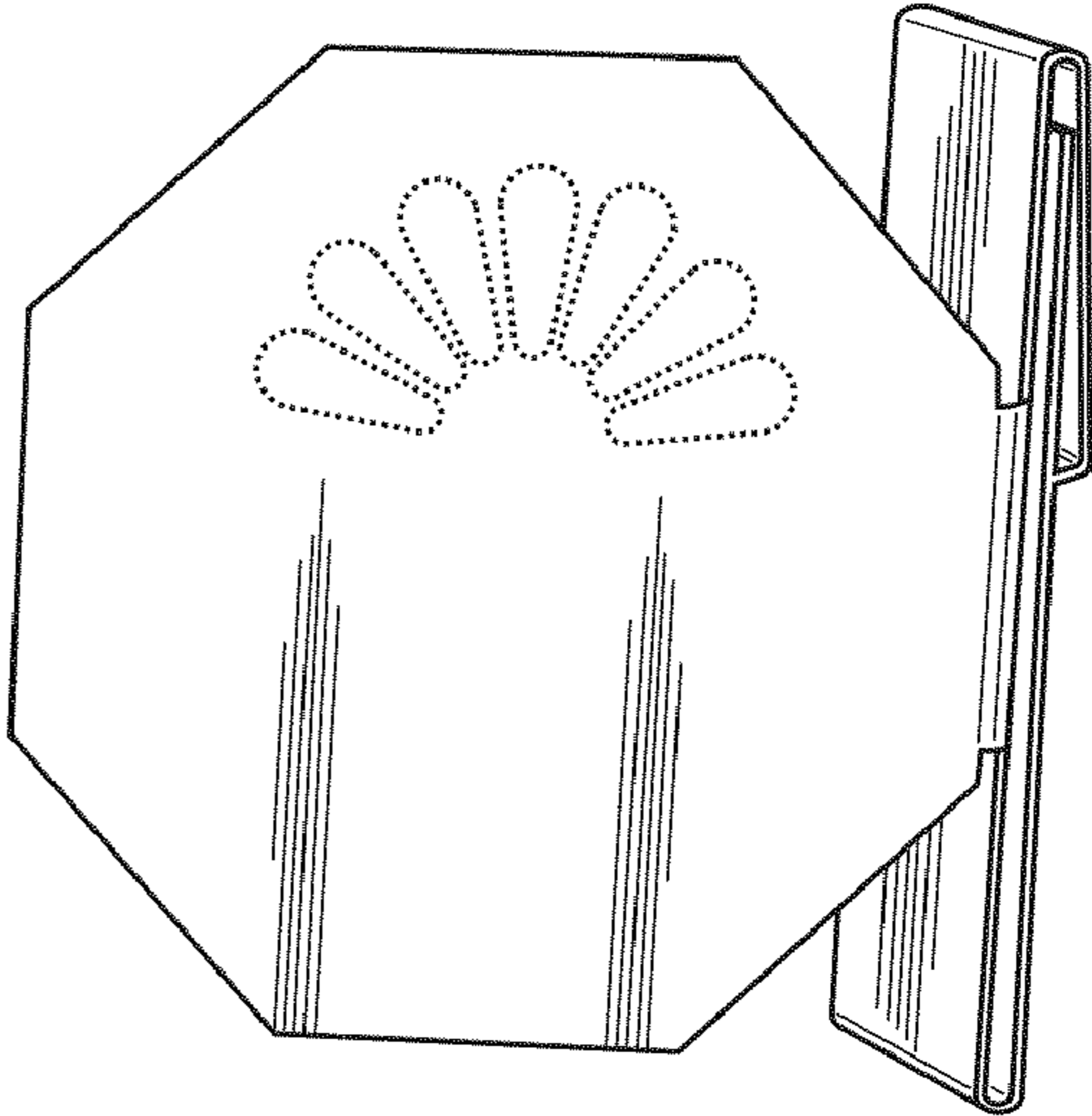




Fig.6

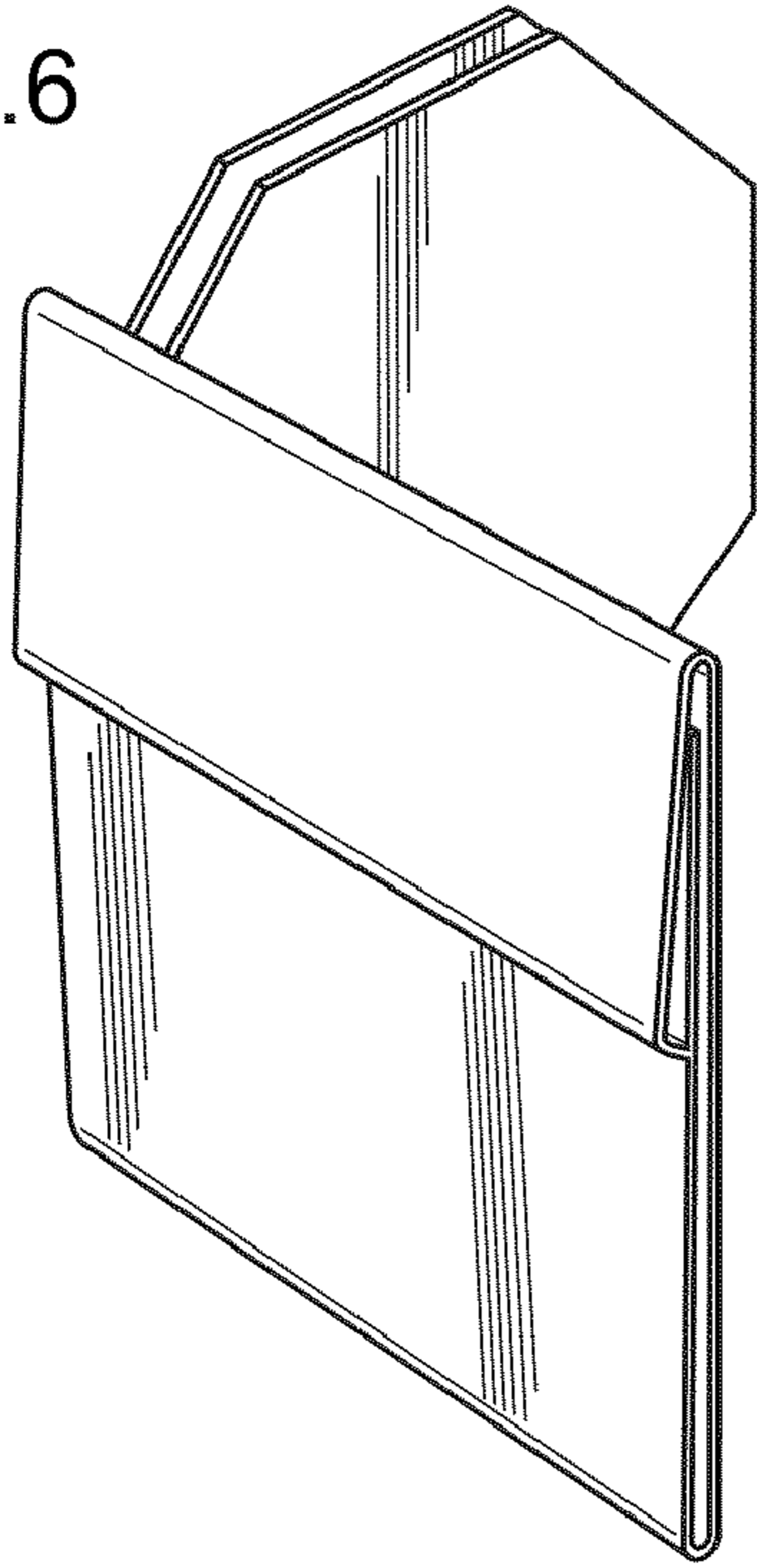


Fig.7

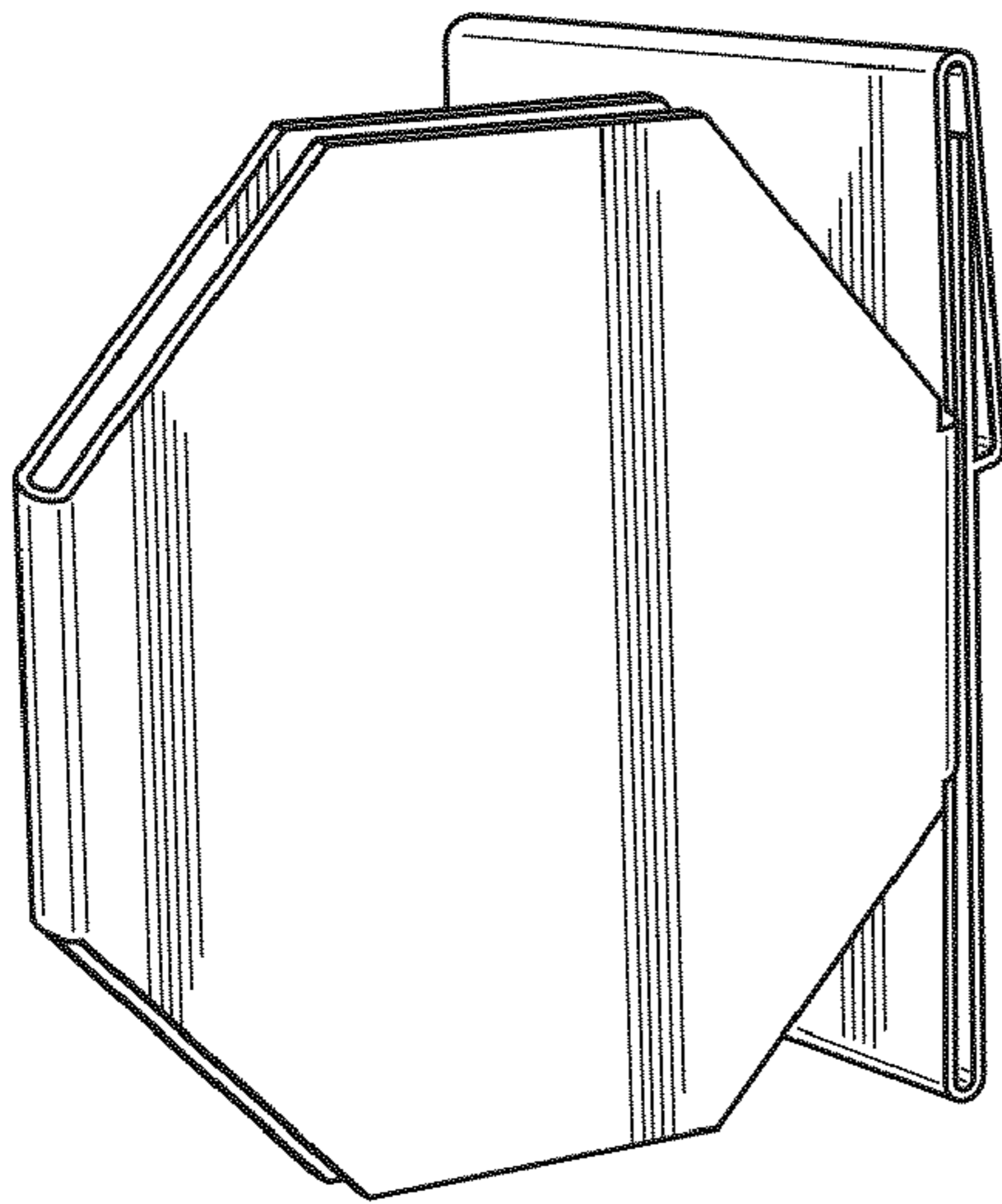
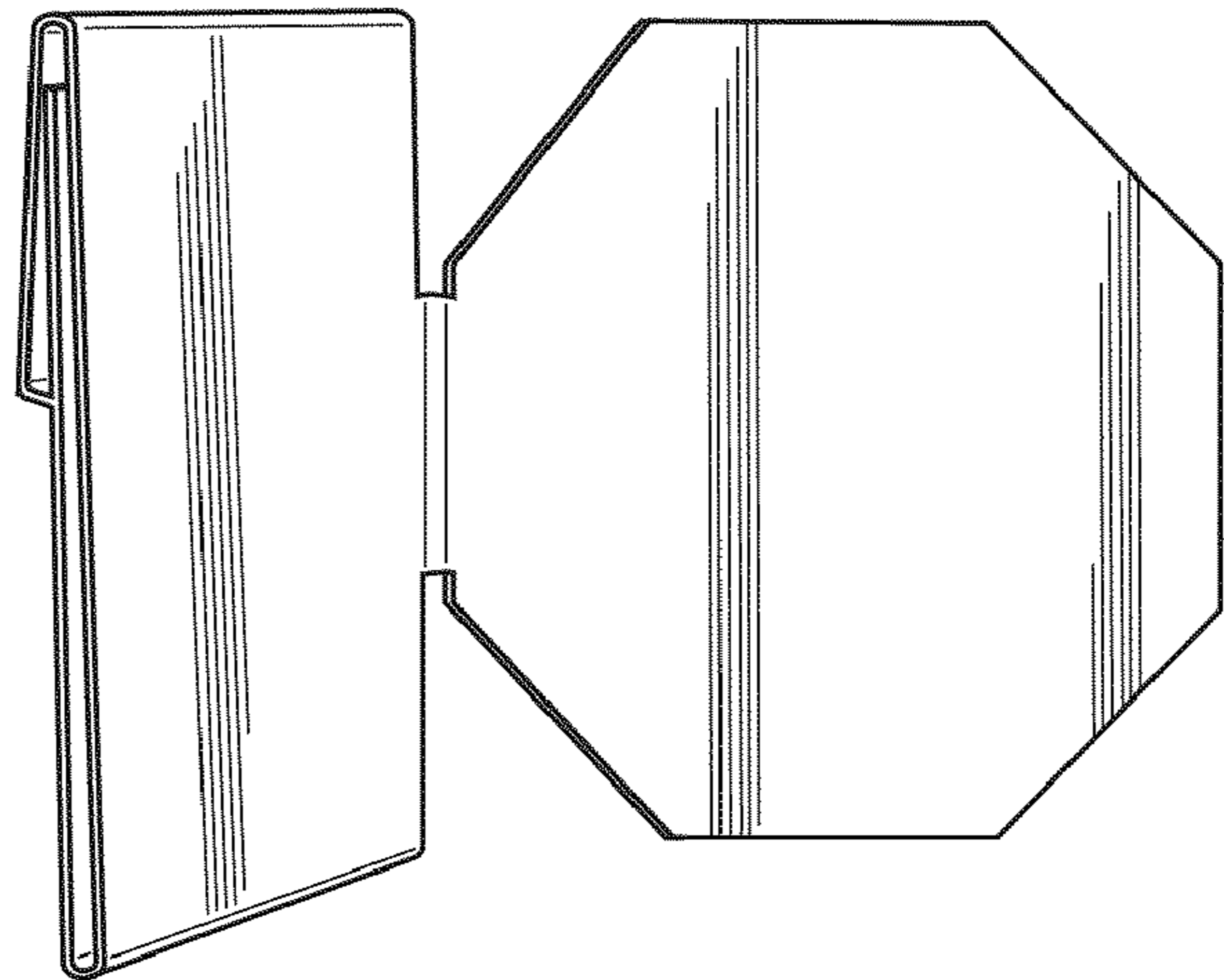


Fig.8

Fig. 9

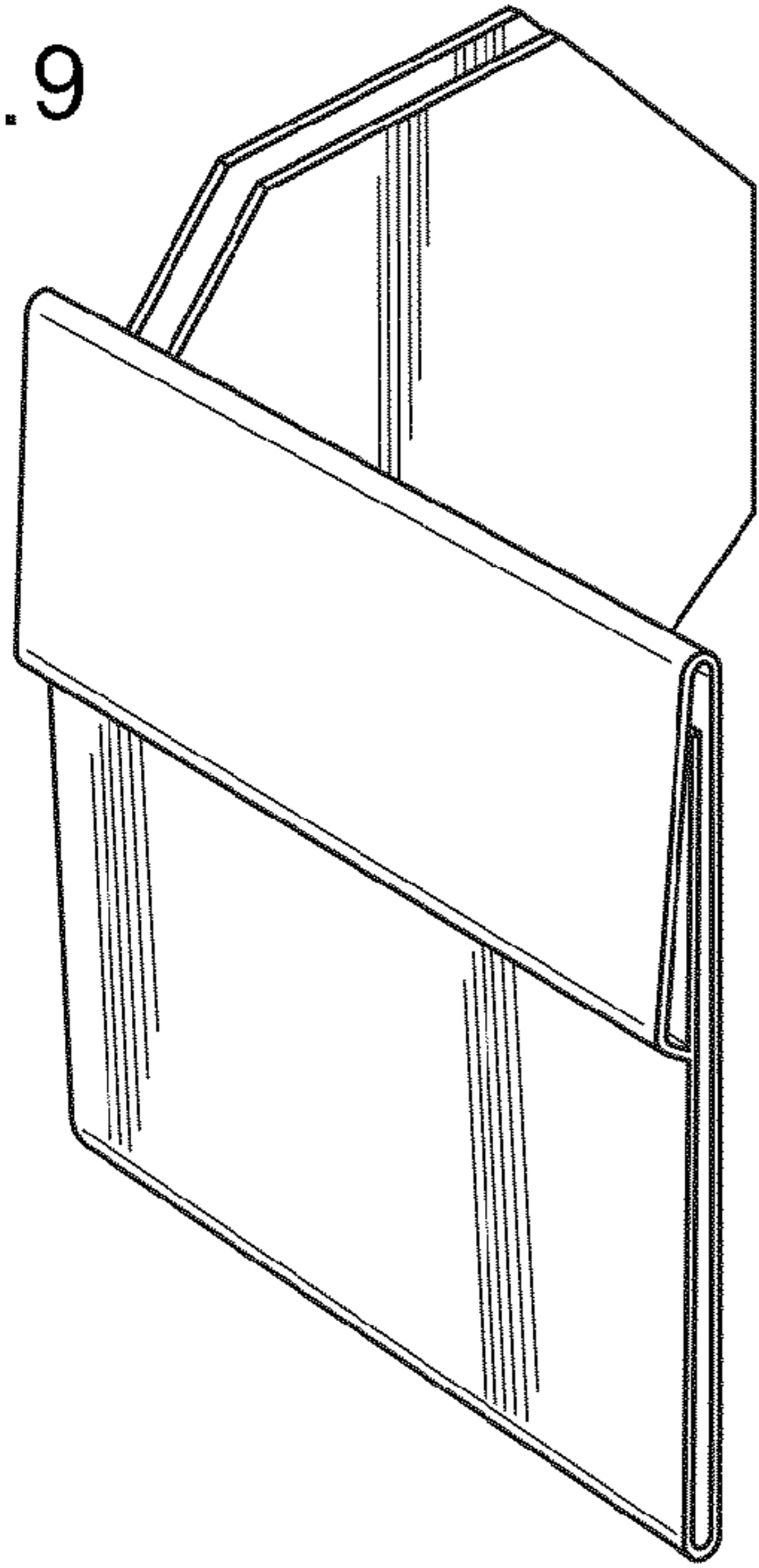


Fig. 10

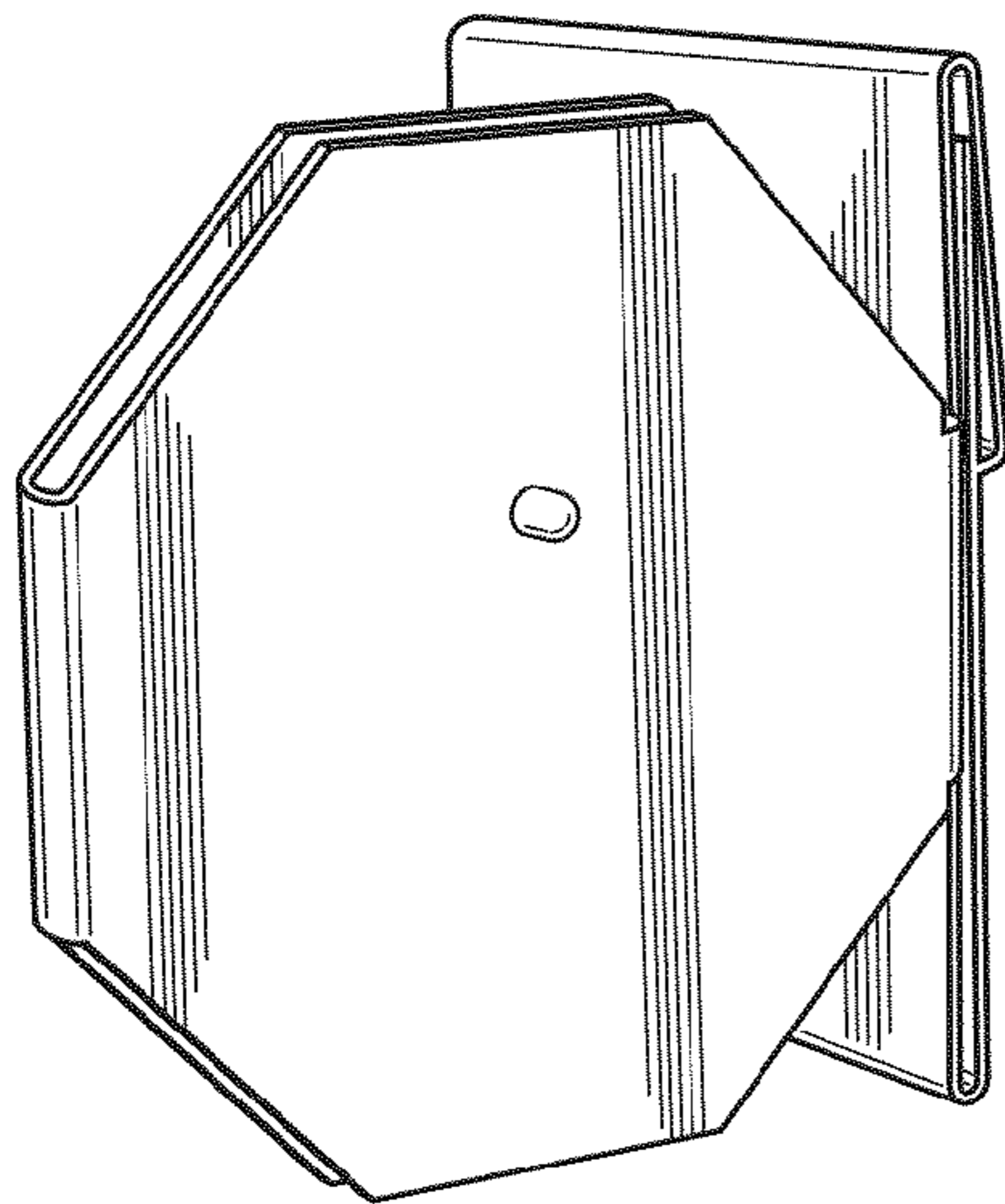
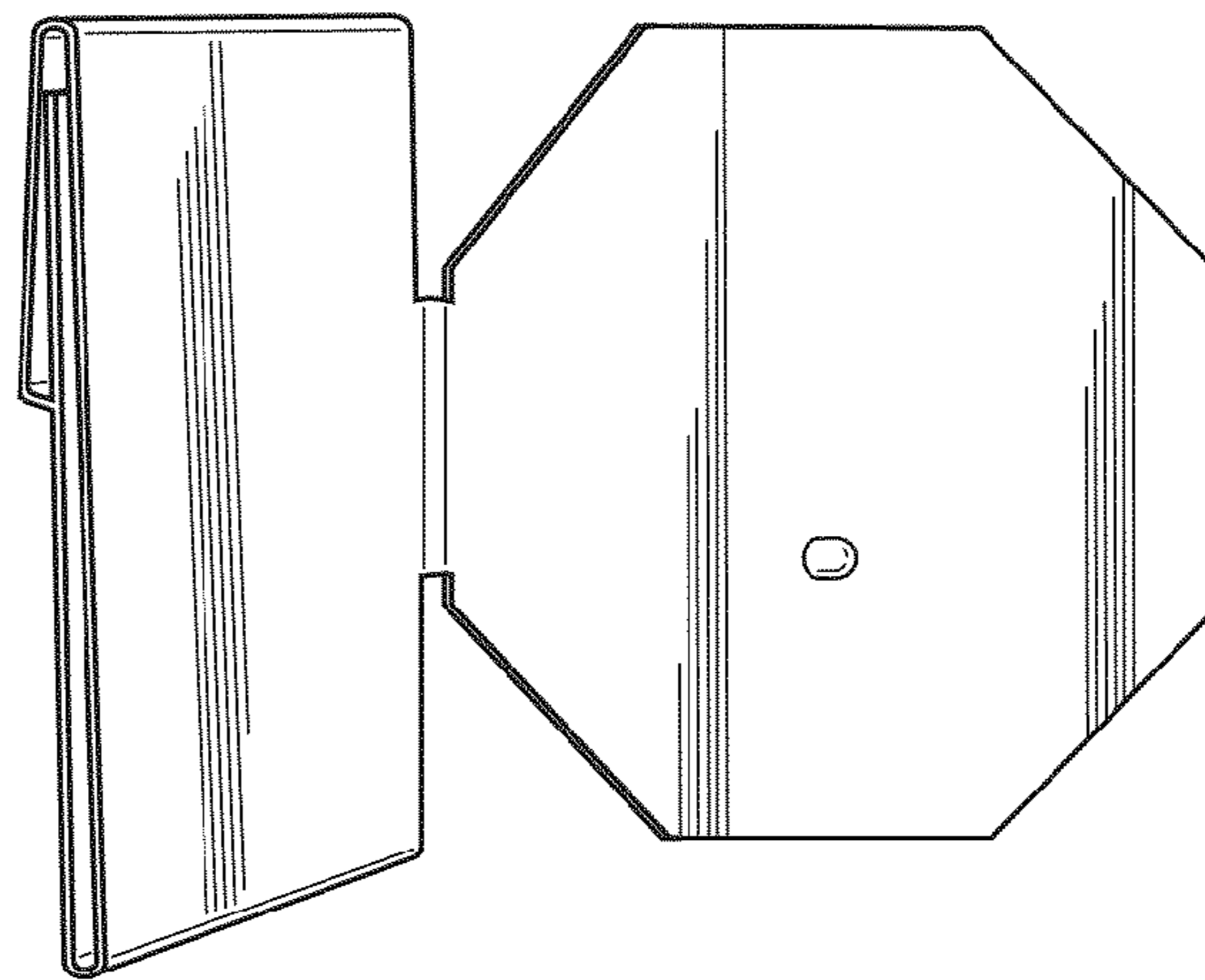


Fig. 11

Fig. 12

