



US00D627824S

(12) **United States Design Patent**
Nakayama et al.

(10) **Patent No.:** **US D627,824 S**

(45) **Date of Patent:** **** Nov. 23, 2010**

(54) **WHITEBOARD**

(75) Inventors: **Azumi Nakayama**, Tokyo (JP); **Koji Makita**, Tokyo (JP)

(73) Assignee: **Plus Corporation**, Tokyo (JP)

(**) Term: **14 Years**

(21) Appl. No.: **29/359,908**

(22) Filed: **Apr. 16, 2010**

(51) **LOC (9) Cl.** **19-06**

(52) **U.S. Cl.** **D19/52**

(58) **Field of Classification Search** D6/300-314;
D7/698, 699; D14/336, 371, 448; D19/52,
D19/88; D20/10, 19, 39, 40, 41, 42; 40/358,
40/541, 584, 611.01; 434/408, 409, 415,
434/421, 422, 425

See application file for complete search history.

(56) **References Cited**

U.S. PATENT DOCUMENTS

D110,590	S	*	7/1938	Sperry	D20/42
2,347,176	A	*	4/1944	Doner	40/757
D165,038	S	*	10/1951	Windhorst	D19/52
3,363,341	A	*	1/1968	Glassman	434/417
4,437,839	A	*	3/1984	Stempel	434/417
D310,389	S	*	9/1990	Trewarn	D20/41
D398,653	S	*	9/1998	Hiraguchi et al.	D20/10
D413,146	S	*	8/1999	Moore	D19/52
D435,593	S	*	12/2000	Hellwig et al.	D19/52
D436,128	S	*	1/2001	Keglmaier	D19/52

D459,756	S	*	7/2002	Lio et al.	D19/52
D463,493	S	*	9/2002	Beno	D19/52
D467,818	S	*	12/2002	Chan	D10/25
D480,428	S	*	10/2003	Robertson, Jr.	D19/90
D481,419	S	*	10/2003	Dixon	D20/39
D491,609	S	*	6/2004	Linko, Sr.	D20/41
D491,610	S	*	6/2004	Linko, Sr.	D20/41
D510,109	S	*	9/2005	Cobb et al.	D20/42
D594,510	S	*	6/2009	Sappington et al.	D20/10
7,632,103	B2	*	12/2009	Williams et al.	434/425
D608,778	S	*	1/2010	Lee et al.	D14/336

* cited by examiner

Primary Examiner—Elizabeth A Albert

(74) *Attorney, Agent, or Firm*—The Marbury Law Group PLLC

(57) **CLAIM**

The ornamental design for a whiteboard, as shown and described.

DESCRIPTION

FIG. 1 is a front/right side perspective view of the whiteboard.

FIG. 2 is a front view of the whiteboard design.

FIG. 3 is a rear view of the whiteboard design.

FIG. 4 is a top view of the whiteboard design.

FIG. 5 is a bottom view of the whiteboard design; and,

FIG. 6 is a right side view of the whiteboard design; the left side view is a mirror image of the right side.

1 Claim, 5 Drawing Sheets

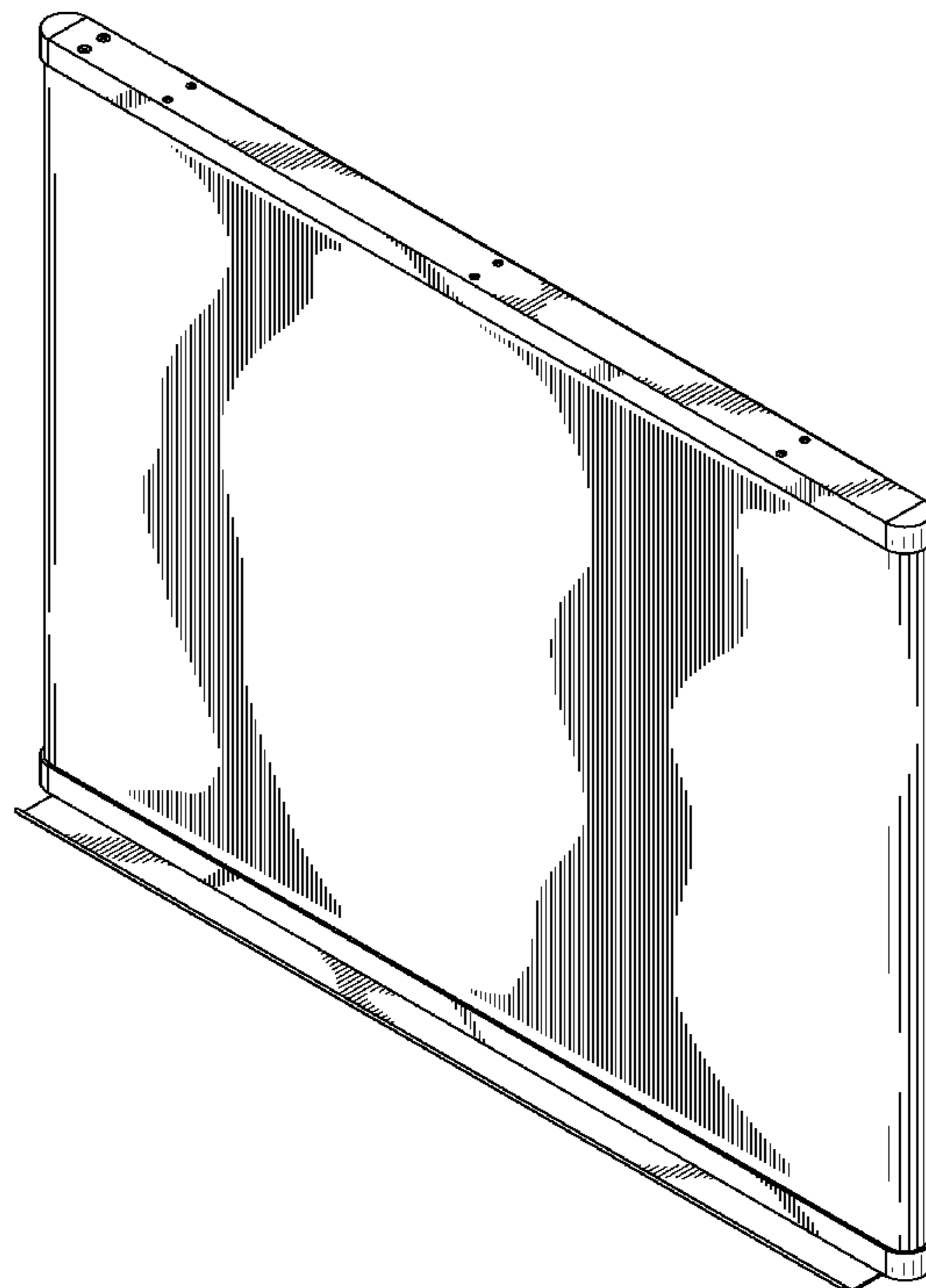


Fig. 1

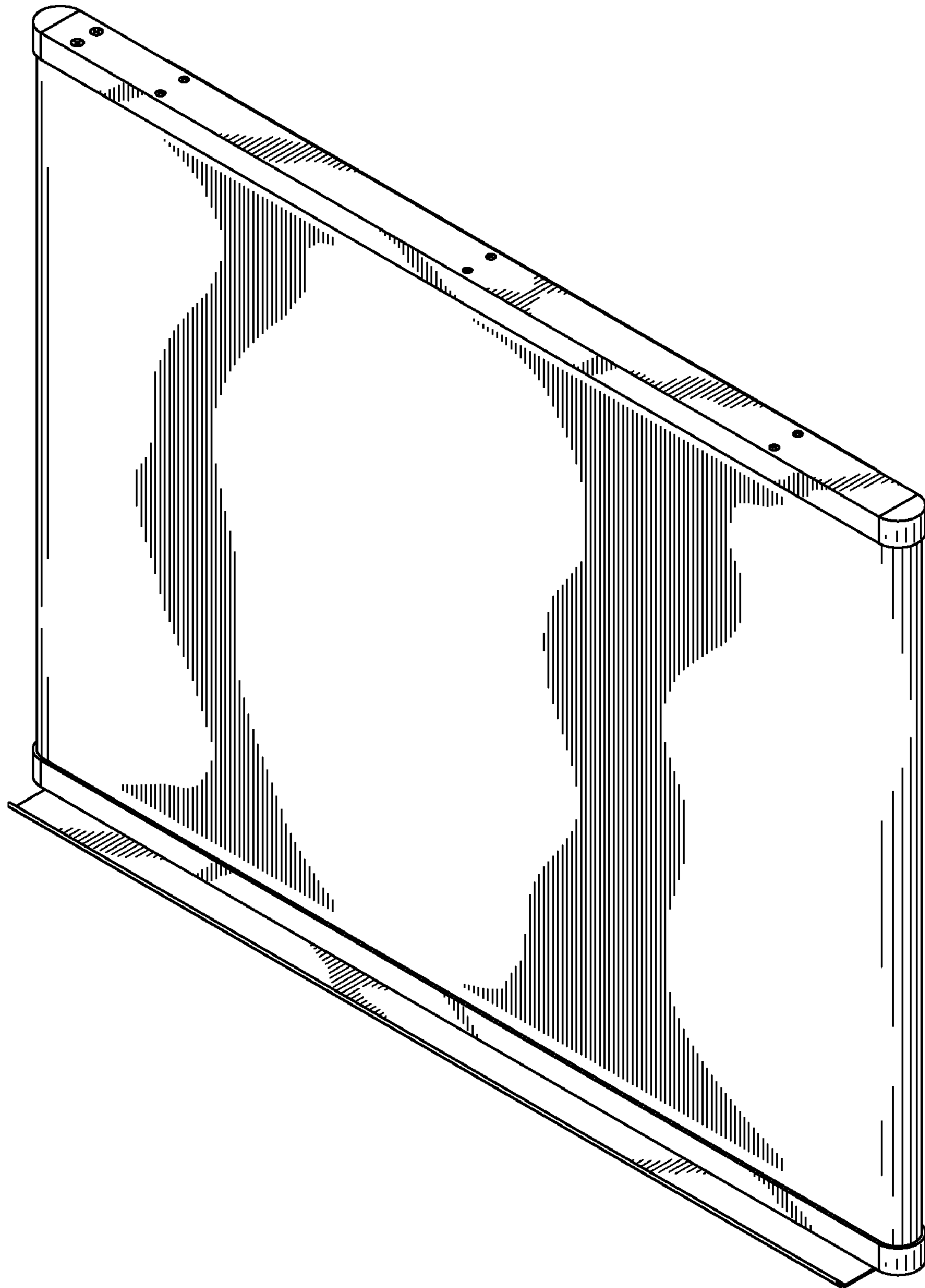


Fig. 2

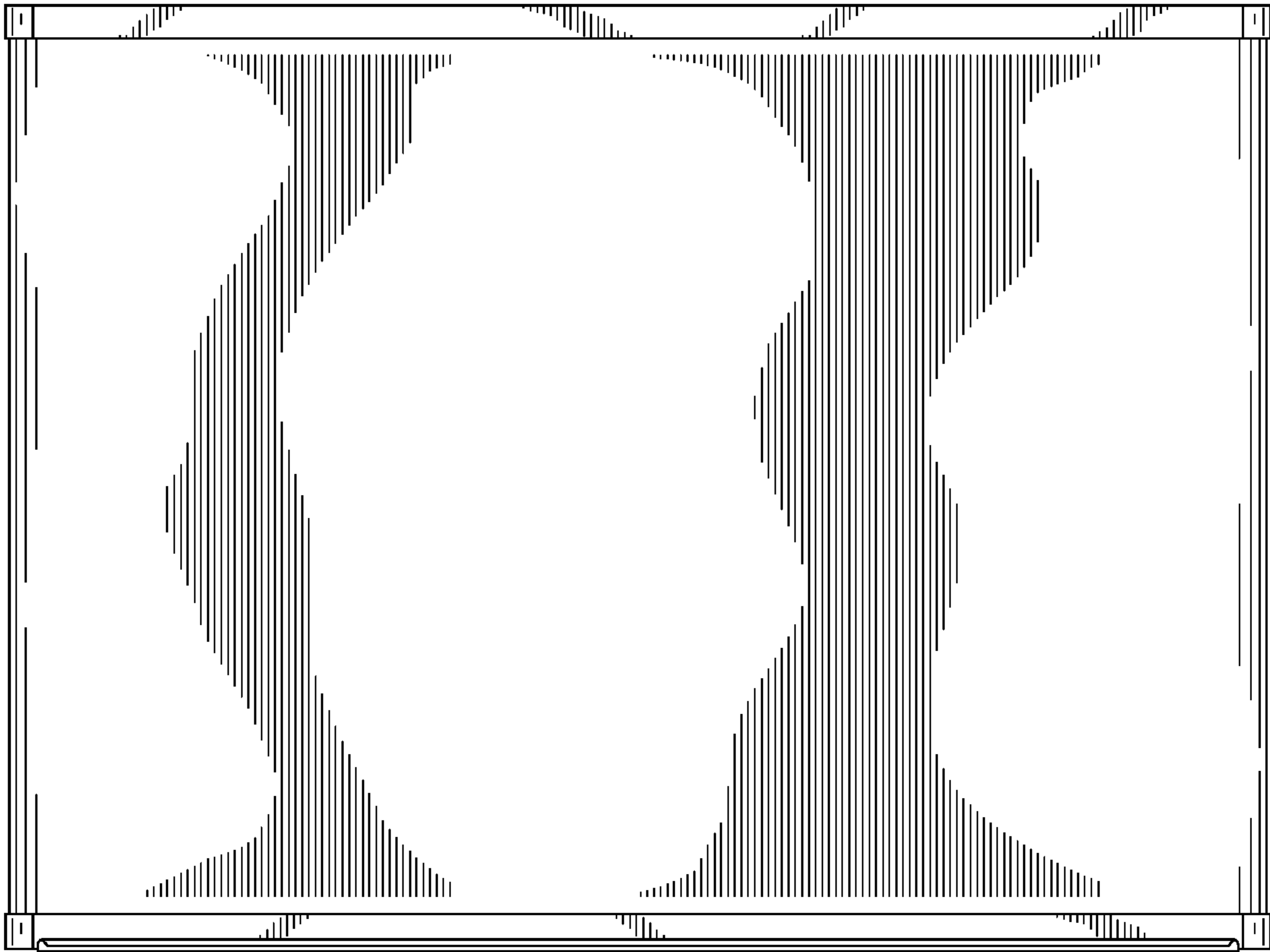


Fig. 3

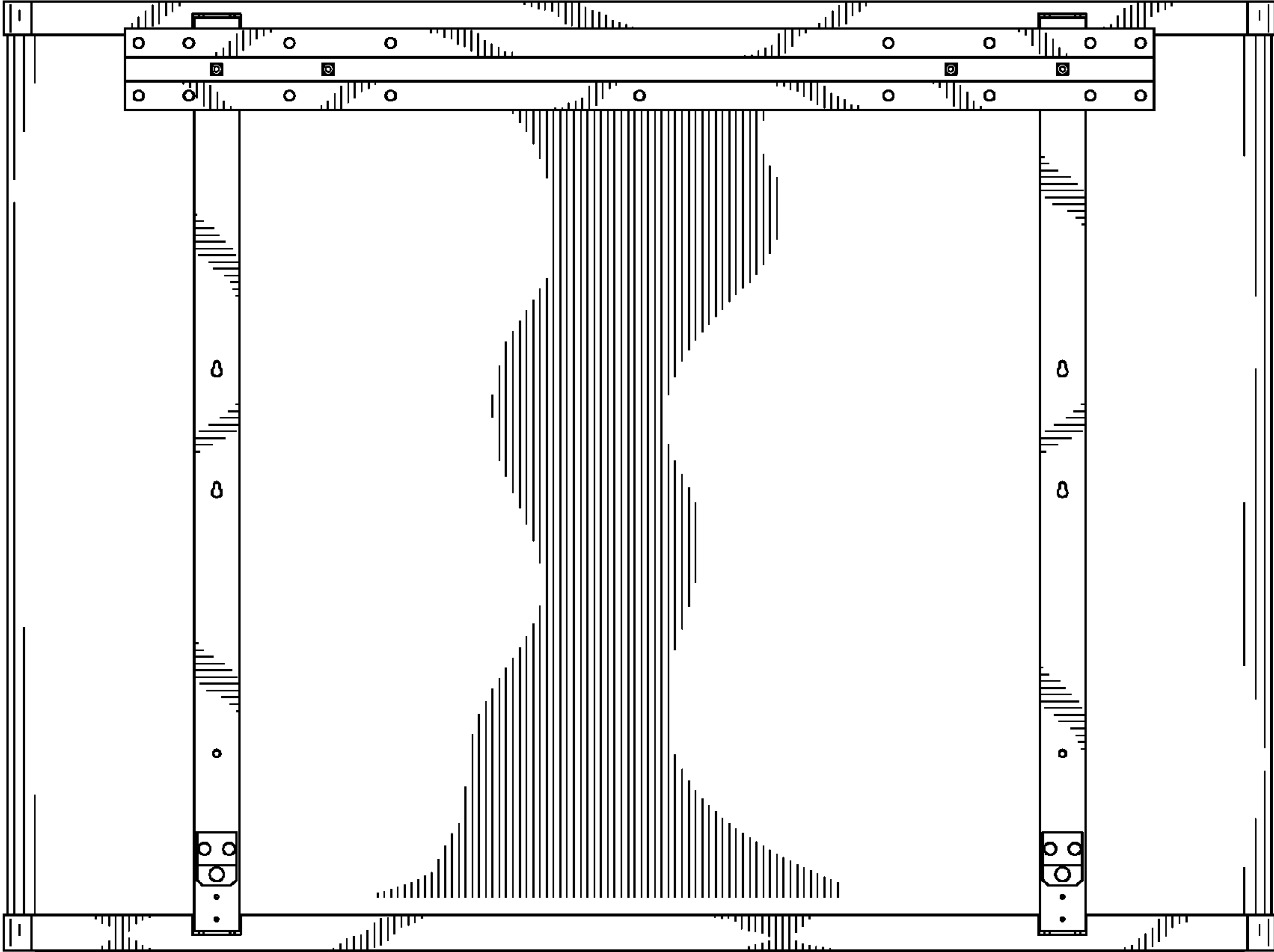


Fig. 4

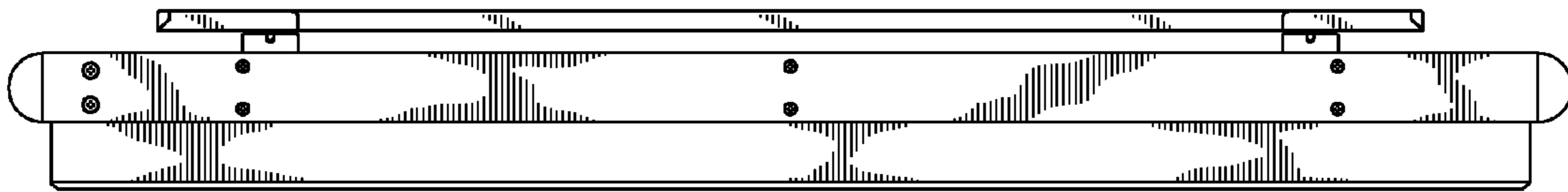


Fig. 5

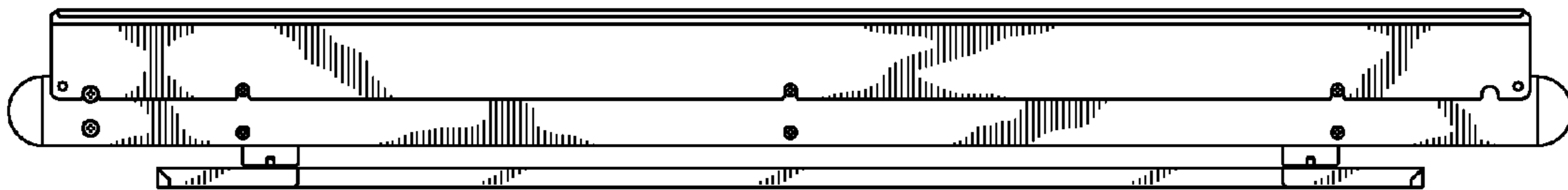
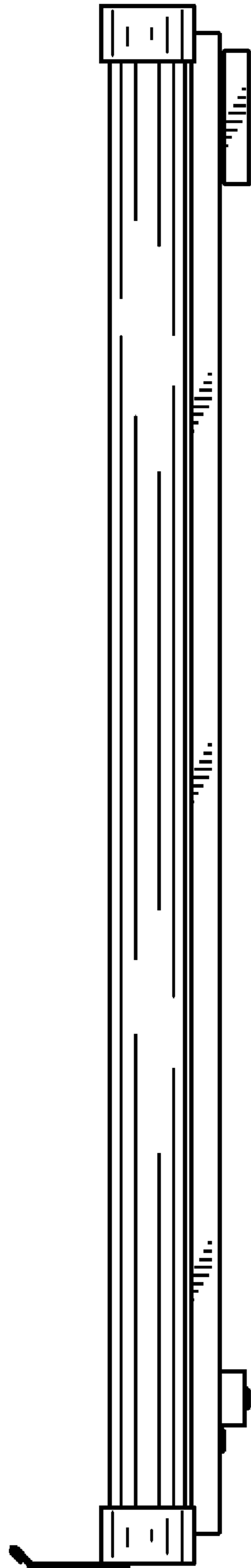


Fig. 6



UNITED STATES PATENT AND TRADEMARK OFFICE
CERTIFICATE OF CORRECTION

PATENT NO. : D627,824 S
APPLICATION NO. : 29/359908
DATED : November 23, 2010
INVENTOR(S) : Azumi Nakayama et al.

Page 1 of 1

It is certified that error appears in the above-identified patent and that said Letters Patent is hereby corrected as shown below:

On the cover page, the Foreign Application Priority Data has been omitted, please insert:

Item -- (30) Foreign Application Priority Data Oct. 19, 2009 (JP) 2009-024473 --

Signed and Sealed this
First Day of February, 2011

A handwritten signature in black ink that reads "David J. Kappos". The signature is written in a cursive, slightly slanted style.

David J. Kappos
Director of the United States Patent and Trademark Office