



US00D627822S

(12) **United States Design Patent**  
**Ho et al.**

(10) **Patent No.:** **US D627,822 S**  
(45) **Date of Patent:** **\*\* Nov. 23, 2010**

(54) **MAGNETIC MEMO BOARD**

(75) Inventors: **Hiu Wai Ho**, Kowloon (HK); **Wing Kit Lui**, Kowloon (HK)

(73) Assignee: **Eric Beare Associates Limited**, Kowloon (HK)

(\*\*) Term: **14 Years**

(21) Appl. No.: **29/345,457**

(22) Filed: **Oct. 15, 2009**

(51) **LOC (9) Cl.** ..... **19-06**

(52) **U.S. Cl.** ..... **D19/52**

(58) **Field of Classification Search** ..... D6/300-314;  
D7/698, 99; D14/336, 371, 448, 436; D19/9,  
D19/10, 52, 88; D20/10, 19, 40, 42; 40/358,  
40/541, 584, 611.01; 434/408, 409, 415,  
434/421, 422, 425

See application file for complete search history.

(56) **References Cited**

**U.S. PATENT DOCUMENTS**

2,402,717	A *	6/1946	Winer	.....	428/83
2,734,466	A *	2/1956	Hammial et al.	.....	52/468
5,312,082	A *	5/1994	Chang	.....	248/452
D349,733	S *	8/1994	Svee	.....	D20/42
5,658,635	A *	8/1997	Davis et al.	.....	428/81
5,743,414	A *	4/1998	Baudino	.....	211/69.1
D438,563	S *	3/2001	Webb et al.	.....	D19/10
D458,459	S *	6/2002	Gottwald	.....	D6/300
D463,224	S *	9/2002	Cautereels et al.	.....	D7/698

D485,296	S *	1/2004	Li	.....	D19/10
D488,835	S *	4/2004	Haruhiro	.....	D19/90
D490,103	S *	5/2004	Rangel et al.	.....	D19/10
D509,243	S *	9/2005	Hunter et al.	.....	D19/10
D539,481	S *	3/2007	Lui	.....	D28/83
D558,270	S *	12/2007	Beno	.....	D19/52
7,399,184	B2 *	7/2008	Hester et al.	.....	434/408

**OTHER PUBLICATIONS**

Magnetic A3 Message Board, 3 pages, 2010, printed out from www.gadgets.co.uk.\*

\* cited by examiner

*Primary Examiner*—Elizabeth A Albert

(57) **CLAIM**

The ornamental design for a magnetic memo board, as shown and described.

**DESCRIPTION**

FIG. 1 is a front elevational view of a magnetic memo board showing our new design;

FIG. 2 is a rear elevational view thereof;

FIG. 3 is a left side view thereof;

FIG. 4 is a right side view thereof;

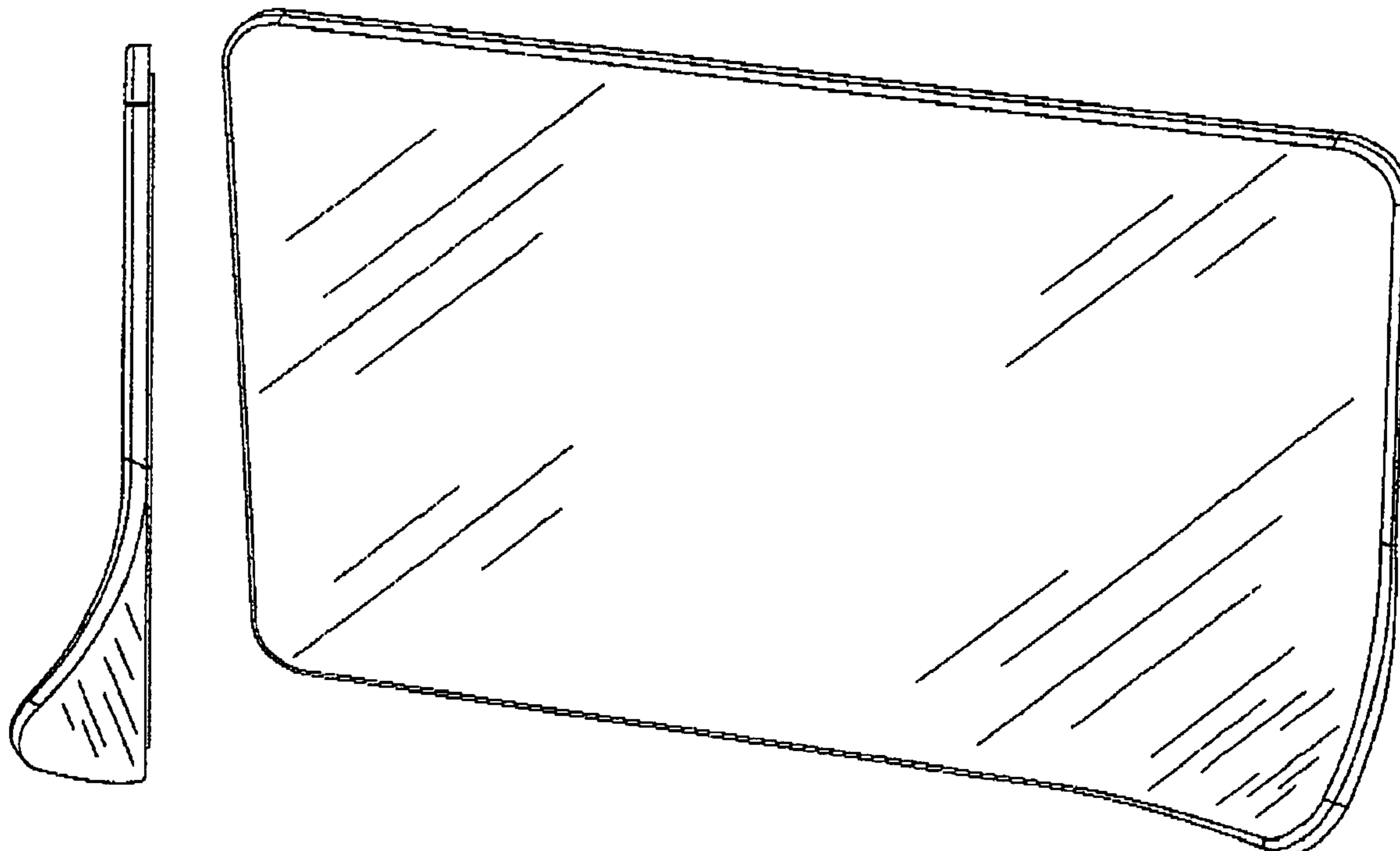
FIG. 5 is a top plan view thereof;

FIG. 6 is a bottom plan view thereof;

FIG. 7 is a perspective view thereof; and,

FIG. 8 is another perspective view thereof.

**1 Claim, 6 Drawing Sheets**



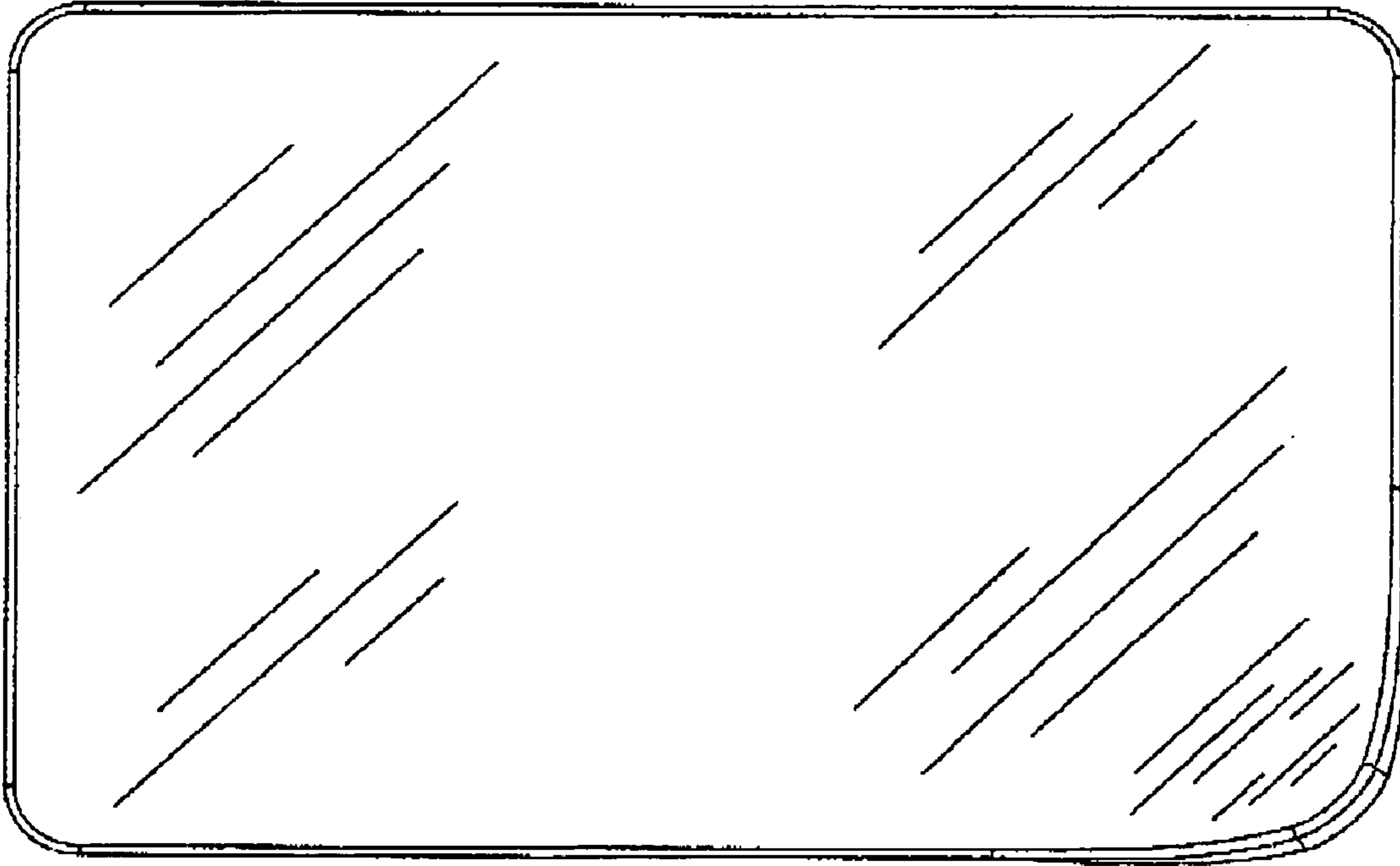


FIG. 1

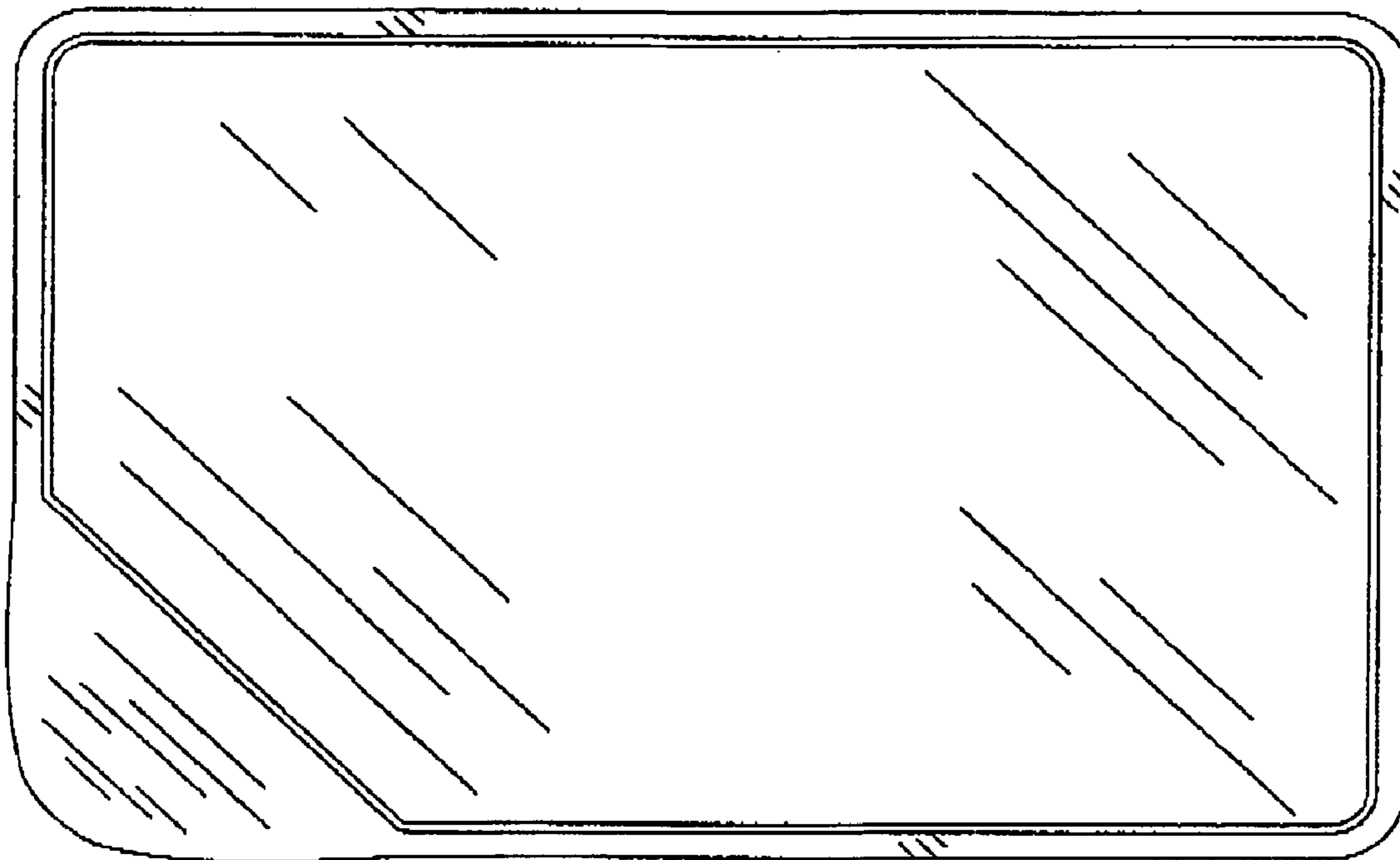


FIG. 2



FIG. 3



FIG. 4

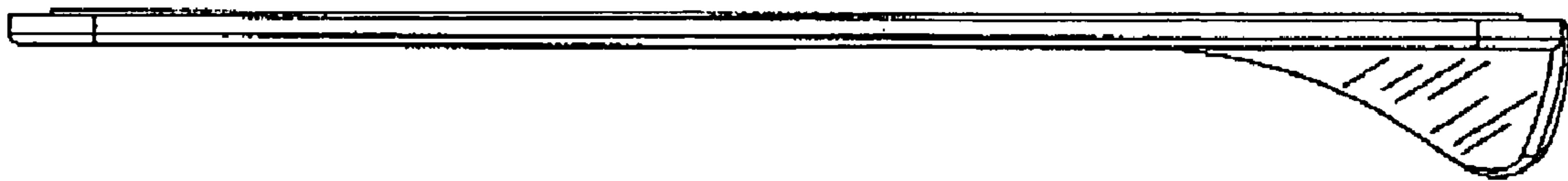


FIG. 5



FIG. 6

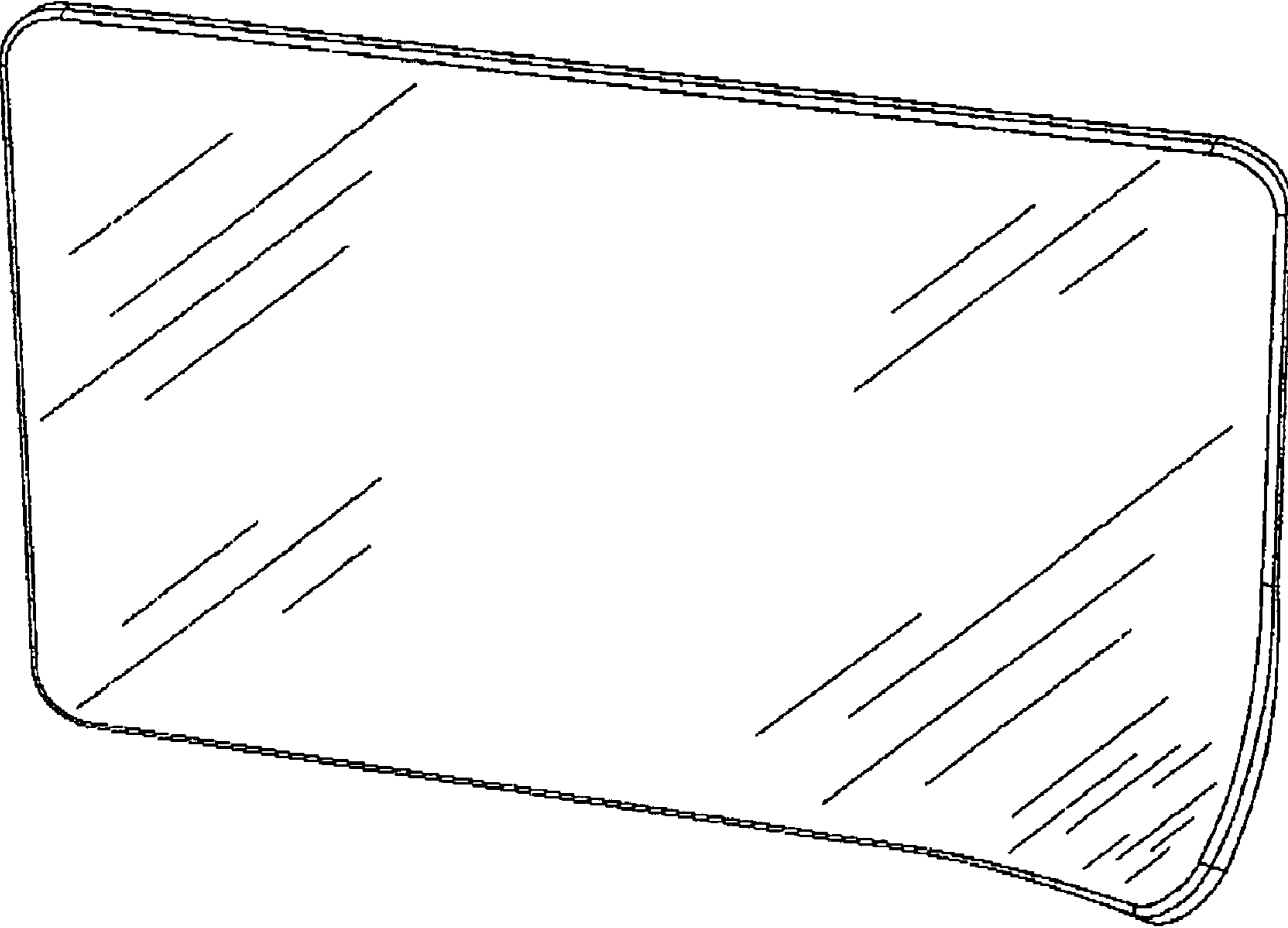


FIG. 7

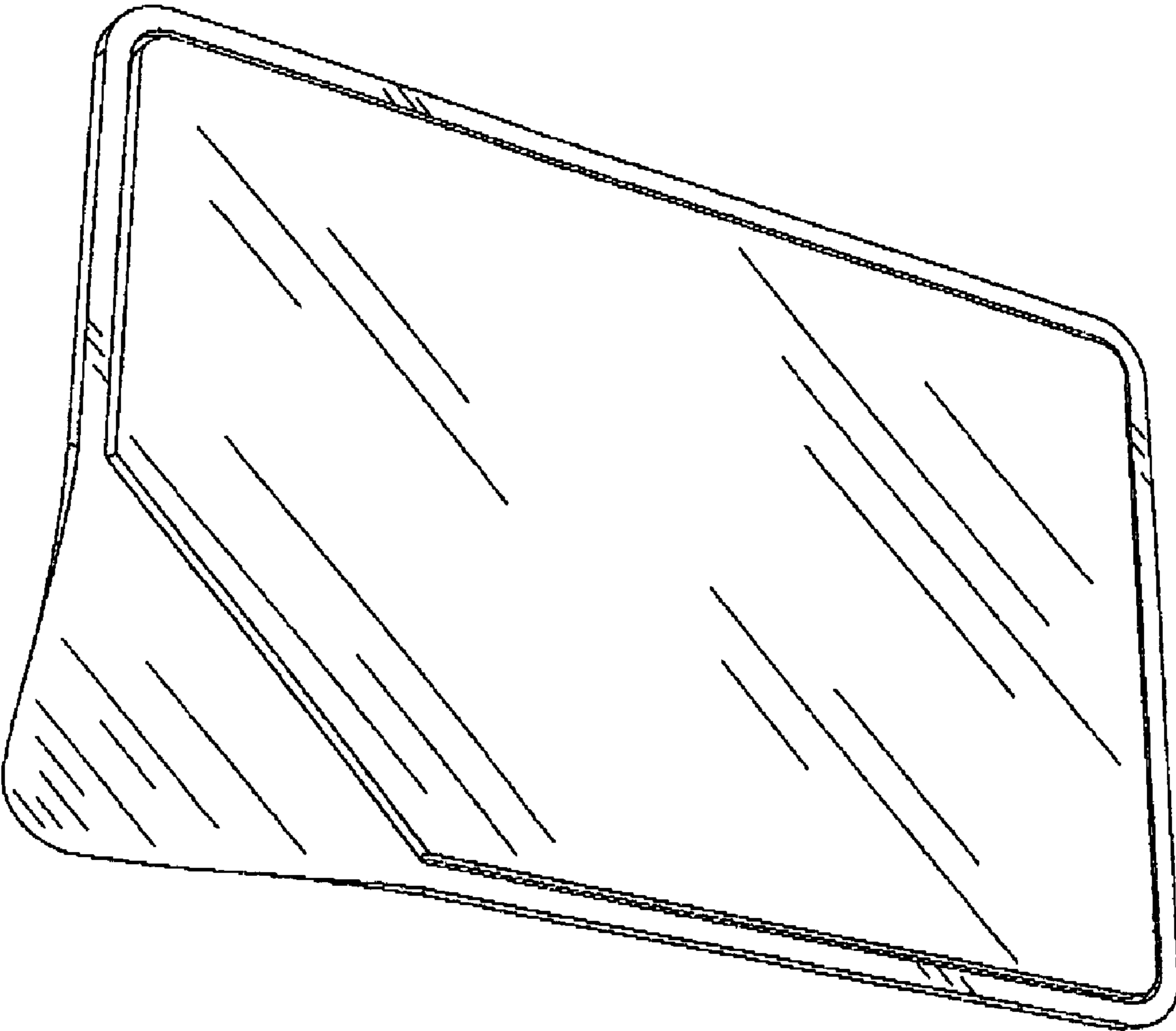


FIG. 8