



US00D627818S

(12) **United States Design Patent**
Ishizawa et al.

(10) **Patent No.:** **US D627,818 S**
(45) **Date of Patent:** **** Nov. 23, 2010**

(54) **INK CARTRIDGE**

(75) Inventors: **Taku Ishizawa**, Nagano-ken (JP);
Takayoshi Katsumura, Nagano-ken
(JP)

(73) Assignee: **Seiko Epson Corporation**, Tokyo (JP)

(**) Term: **14 Years**

(21) Appl. No.: **29/329,305**

(22) Filed: **Dec. 12, 2008**

(30) **Foreign Application Priority Data**

Jul. 14, 2008 (JP) 2008-018072

(51) **LOC (9) Cl.** **18-02**

(52) **U.S. Cl.** **D18/56; 347/86**

(58) **Field of Classification Search** D18/56;
347/88, 99; 106/31.29, 31.61

See application file for complete search history.

(56) **References Cited**

U.S. PATENT DOCUMENTS

D400,574 S *	11/1998	Inoue et al.	D18/56
D401,620 S *	11/1998	Nozawa et al.	D18/56
D423,568 S *	4/2000	Inoue et al.	D18/56
D425,932 S *	5/2000	Shimizu et al.	D18/56
D438,896 S *	3/2001	Shinada et al.	D18/56
D453,184 S *	1/2002	Ito et al.	D18/56
6,402,310 B1 *	6/2002	Maeda et al.	347/87
D481,756 S *	11/2003	Shinada et al.	D18/56
7,008,053 B2 *	3/2006	Hashii et al.	347/86
D536,374 S *	2/2007	Shinada et al.	D18/56
D563,463 S *	3/2008	Ishizawa et al.	D18/56
D611,532 S *	3/2010	Nanjo et al.	D18/56
2008/0151023 A1 *	6/2008	Kotaki et al.	347/86
2009/0066768 A1 *	3/2009	Hashii et al.	347/86

2009/0073245 A1 *	3/2009	Chung et al.	347/87
2009/0096850 A1 *	4/2009	Sulser et al.	347/86
2009/0096851 A1 *	4/2009	Sulser	347/86

FOREIGN PATENT DOCUMENTS

JP	1188390	10/2003
JP	1188831	10/2003
JP	D1310068 S	9/2007
VN	3-2006-01443	3/2007
VN	3-2006-01444	3/2007

OTHER PUBLICATIONS

Design Registration No. 1310227 dated Sep. 10, 2007.
Vietnamese Office Action issued in Application No. 3-2008-01650,
dated Aug. 5, 2010.

* cited by examiner

Primary Examiner—Cathy Anne MacCormac
(74) *Attorney, Agent, or Firm*—Sughrue Mion, PLLC

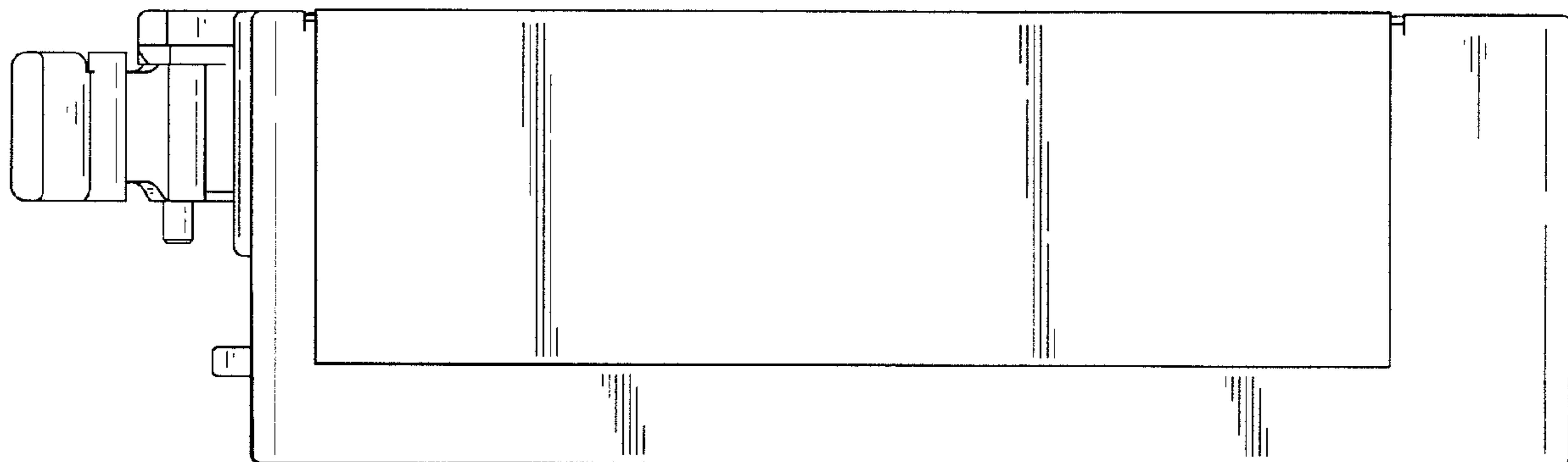
(57) **CLAIM**

The ornamental design for a ink cartridge, as shown and
described.

DESCRIPTION

FIG. 1 is a bottom perspective view of the ink cartridge of the
present invention;
FIG. 2 is a top perspective view thereof;
FIG. 3 is a first side view thereof;
FIG. 4 is a second side view thereof;
FIG. 5 is a first end view thereof;
FIG. 6 is a second end view thereof;
FIG. 7 is a top view thereof; and,
FIG. 8 is a bottom view thereof.

1 Claim, 6 Drawing Sheets



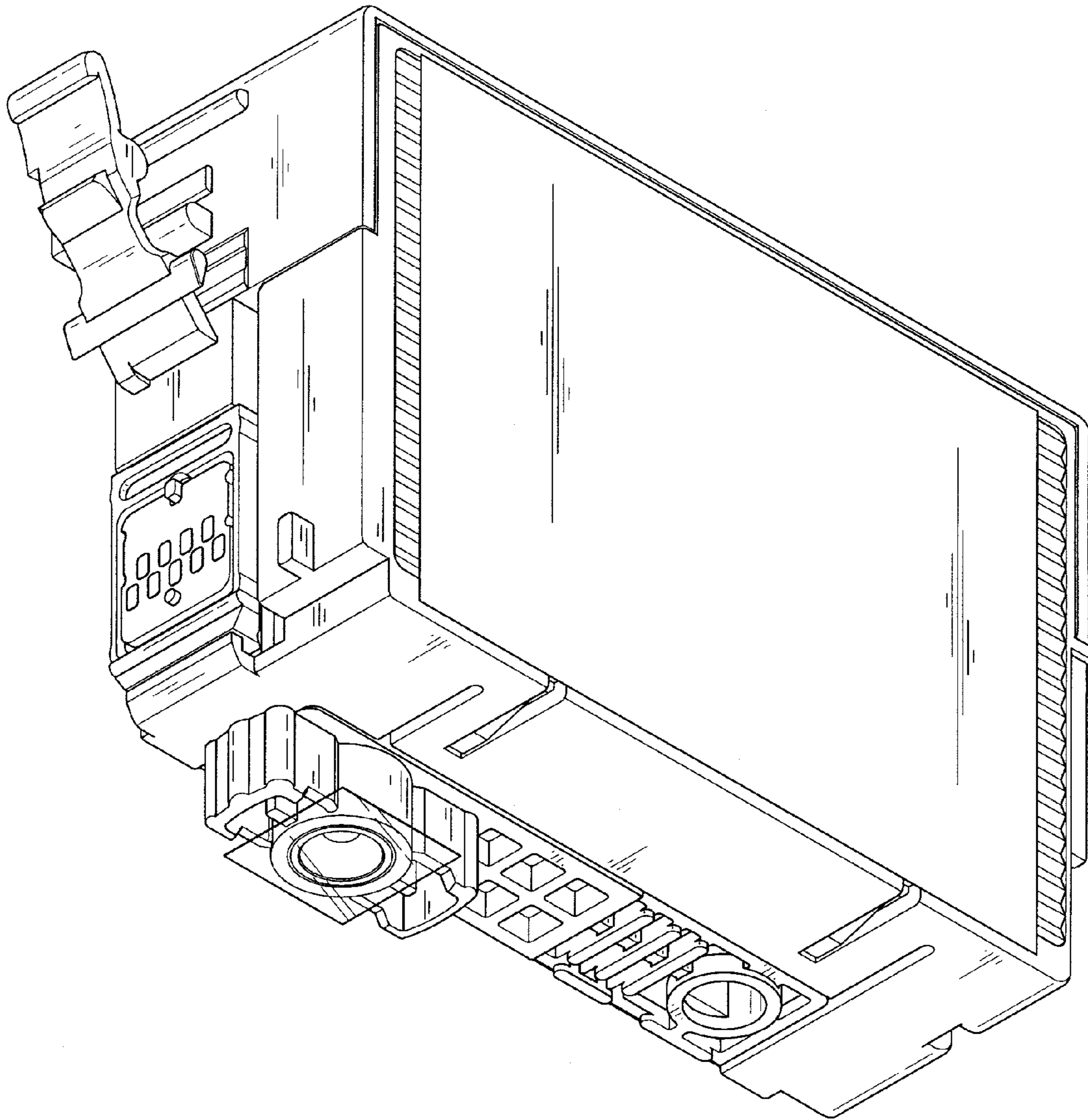


FIG. 1

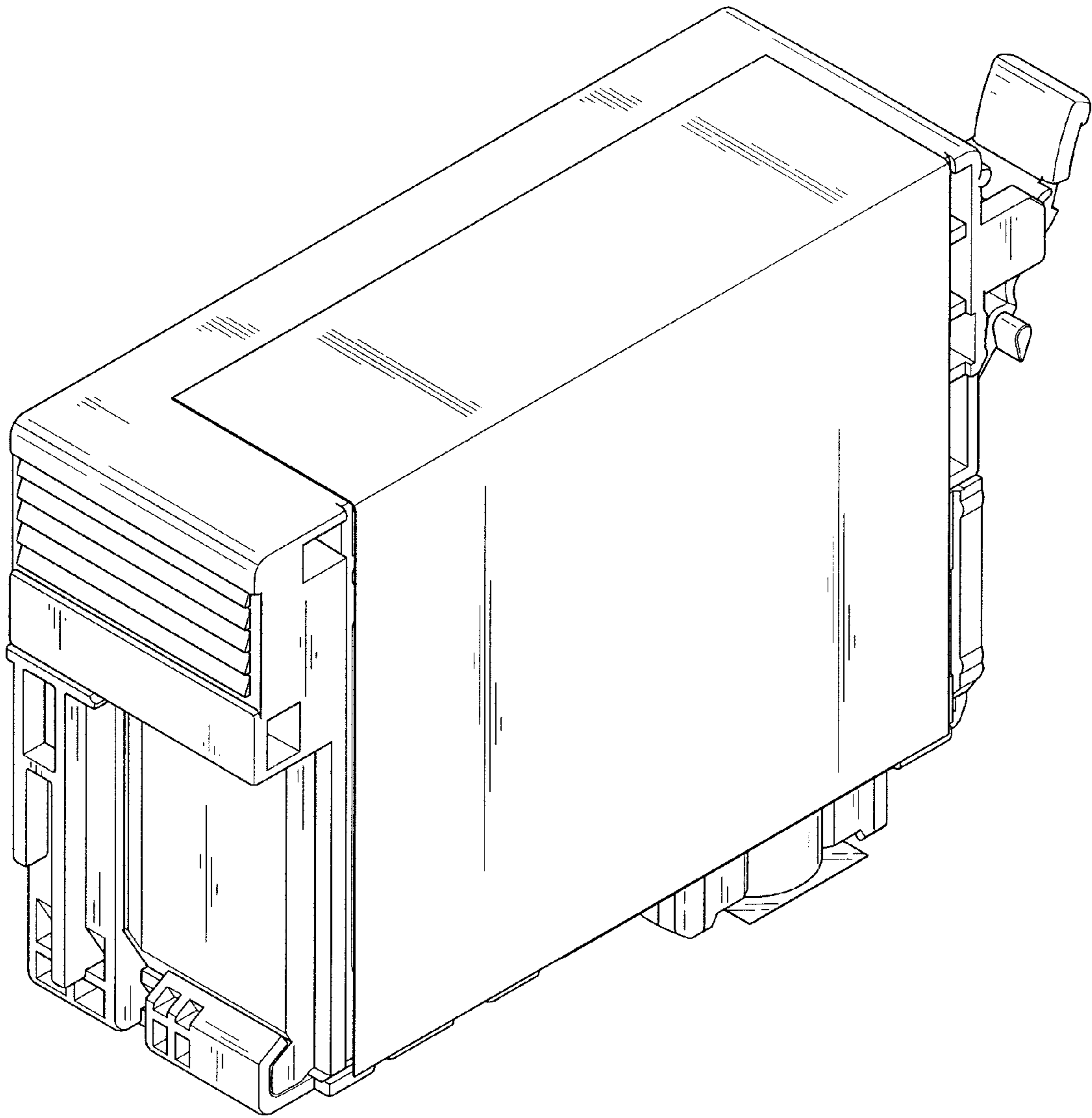


FIG. 2

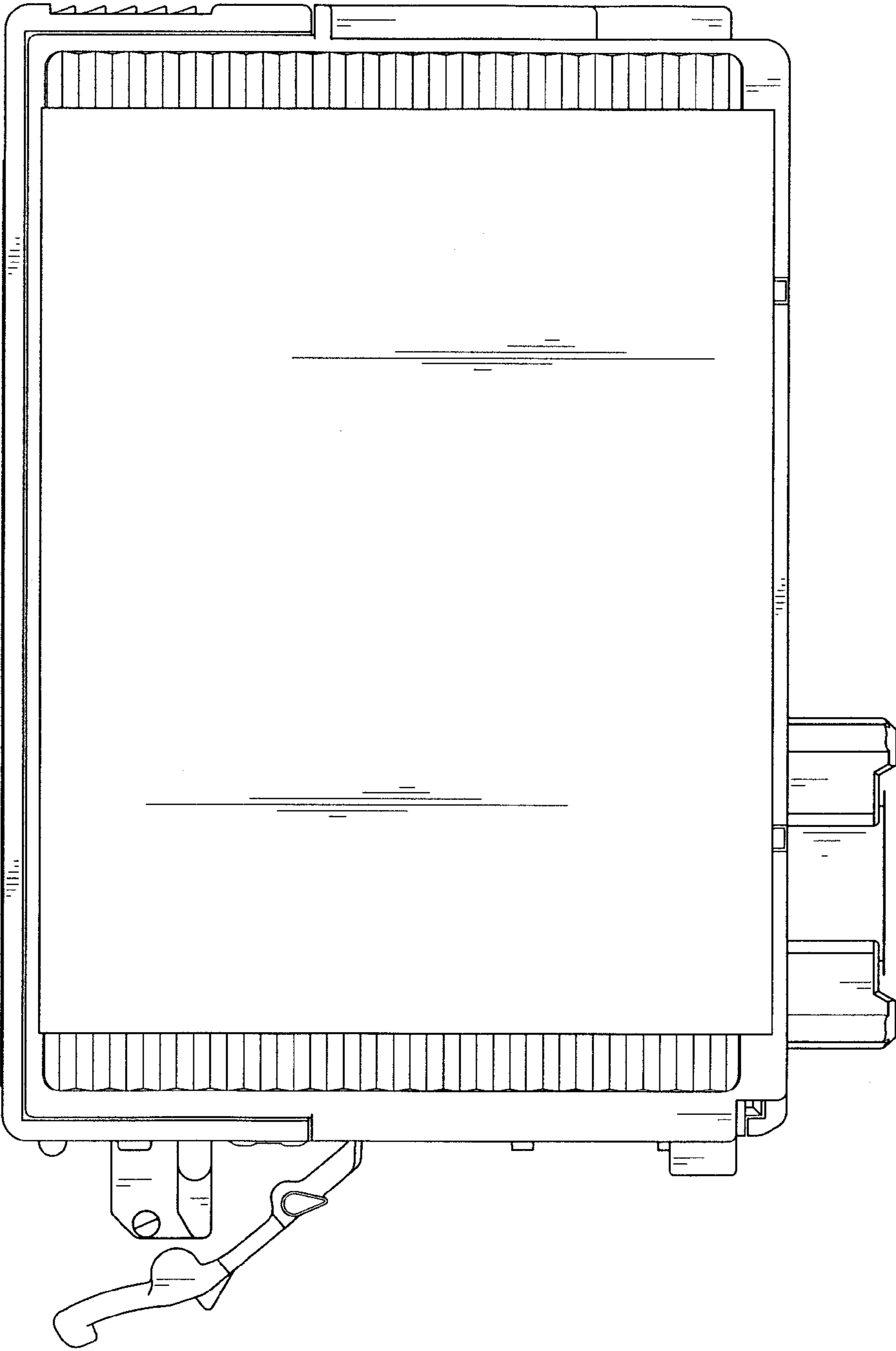


FIG. 3

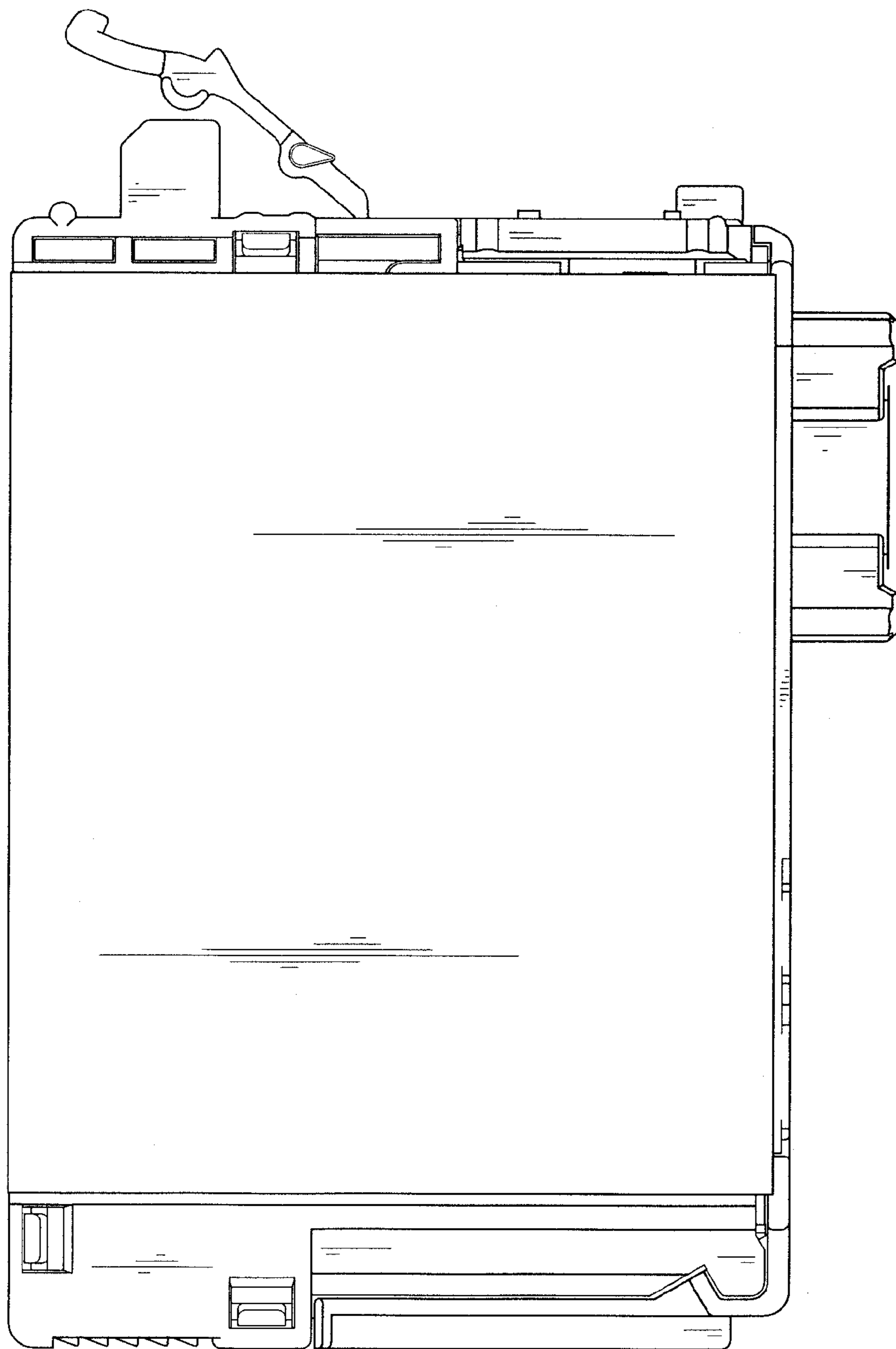


FIG. 4

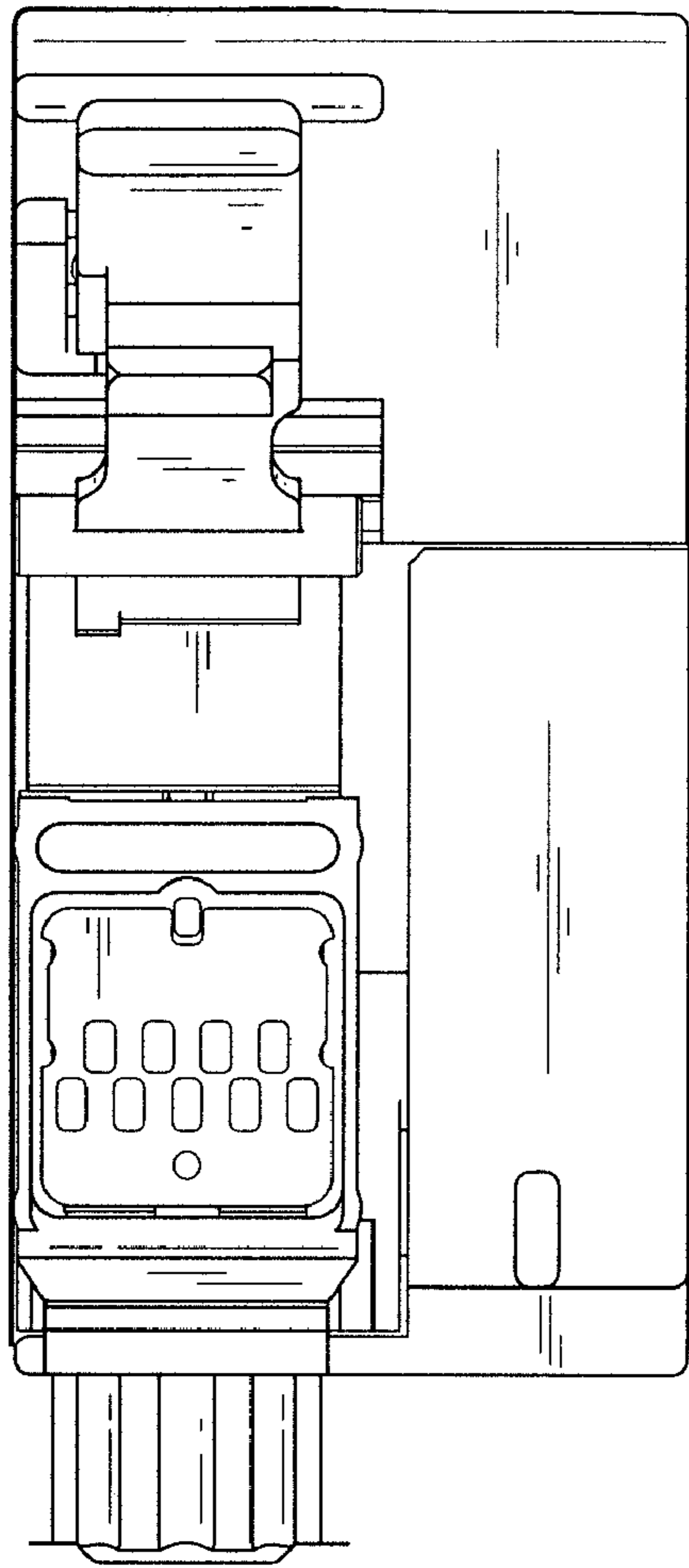


FIG. 5

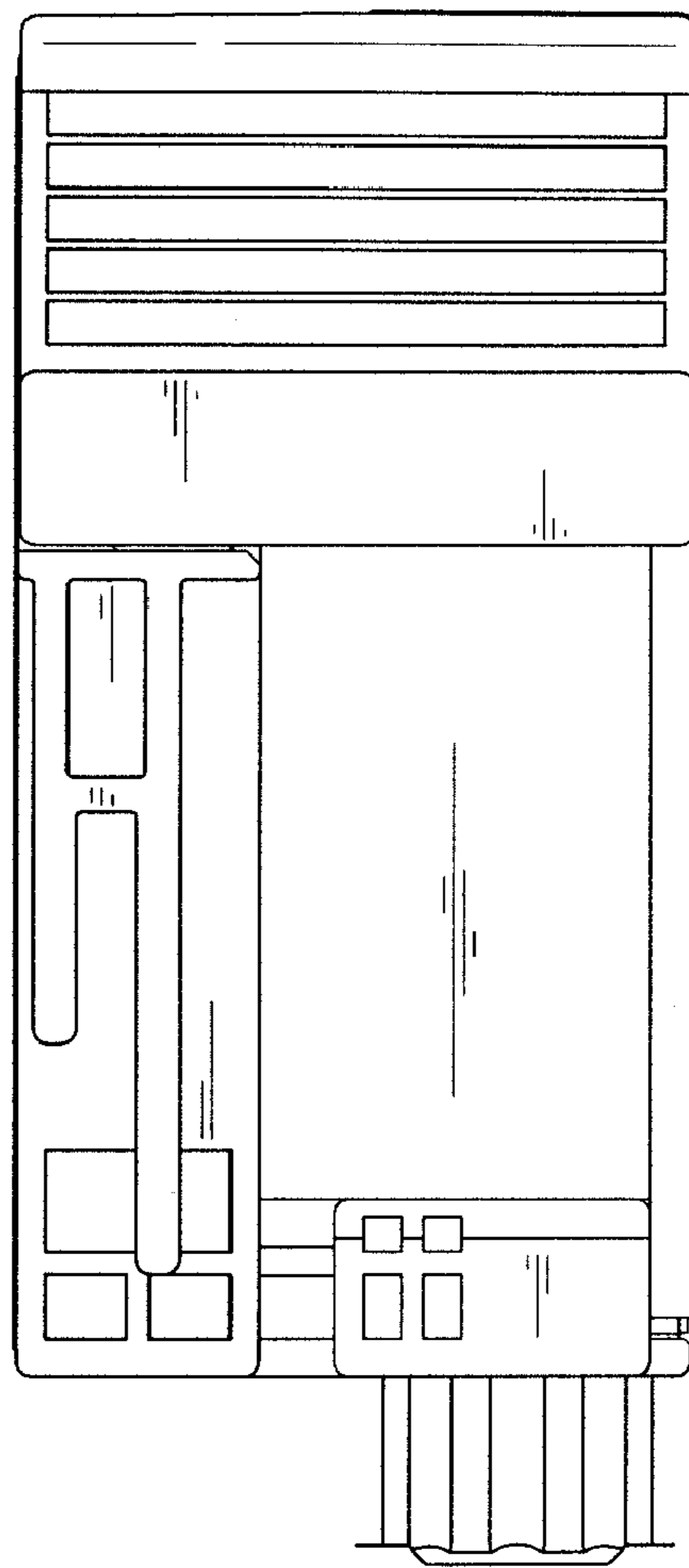


FIG. 6

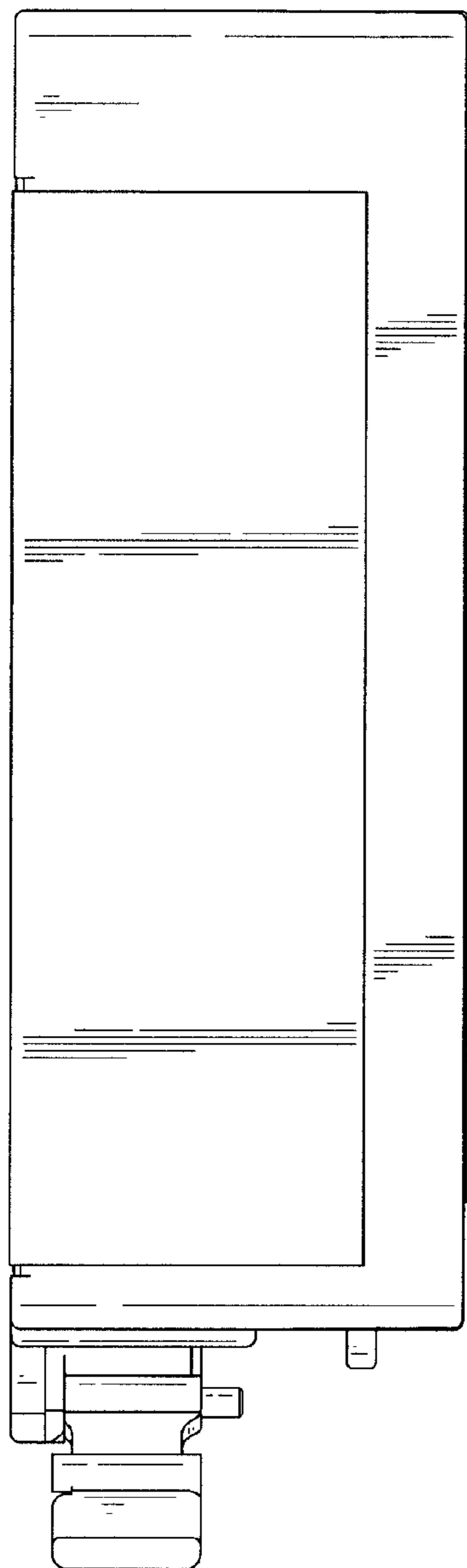


FIG. 7

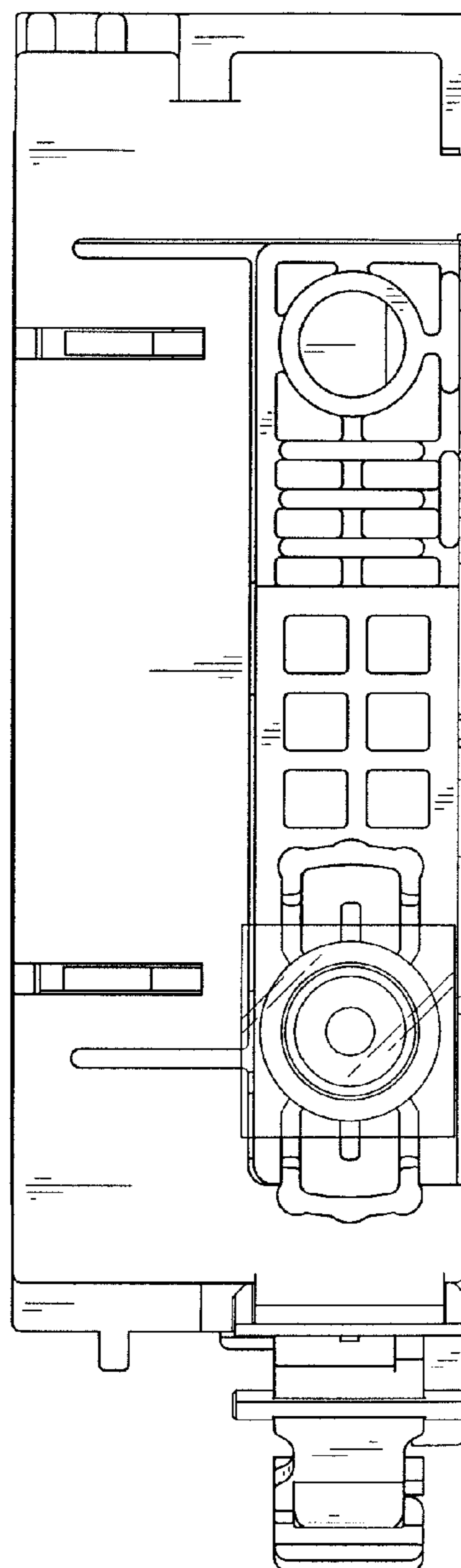


FIG. 8