



US00D627816S

(12) **United States Design Patent**
Olsen

(10) **Patent No.:** **US D627,816 S**

(45) **Date of Patent:** **** Nov. 23, 2010**

(54) **AXIAL FLOW VALVE**

(76) **Inventor:** **Michael L. Olsen**, N6450 Tamarack
Ridge Rd., Elk Horn, WI (US) 53121

(**) **Term:** **14 Years**

(21) **Appl. No.:** **29/365,140**

(22) **Filed:** **Jul. 2, 2010**

(51) **LOC (9) Cl.** **17-02**

(52) **U.S. Cl.** **D17/13; D23/233**

(58) **Field of Classification Search** **D17/10,**
D17/13, 99; D23/233-237; 84/387 R-393;
137/855, 856, 597, 637, 614.04-615.06,
137/614.13

See application file for complete search history.

(56) **References Cited**

U.S. PATENT DOCUMENTS

2,672,783	A	3/1954	Kaufer	
D210,247	S *	2/1968	Olson et al.	D17/13
3,429,215	A *	2/1969	Finch	84/400
4,095,504	A	6/1978	Hirsbrunner	
D258,215	S *	2/1981	Berg	D17/13
4,300,748	A *	11/1981	Kreeley	251/5
4,469,002	A	9/1984	Thayer	
5,361,668	A	11/1994	Anderson et al.	
D381,037	S *	7/1997	Hamanaga	D17/13

5,686,678	A	11/1997	Greenhoe	
5,900,563	A	5/1999	Leonard	
D419,217	S *	1/2000	Lee	D23/237
6,018,115	A	1/2000	Leonard	
D621,439	S *	8/2010	Hamanaga	D17/13

* cited by examiner

Primary Examiner—Cathron C. Brooks

Assistant Examiner—Maurice Stevens

(74) *Attorney, Agent, or Firm*—Absolute Technology Law Group LLC

(57) **CLAIM**

The ornamental design for an axial flow valve, as shown and described.

DESCRIPTION

FIG. 1 is a perspective view of an axial flow valve showing my new design;

FIG. 2 is a top view thereof;

FIG. 3 is a bottom view thereof;

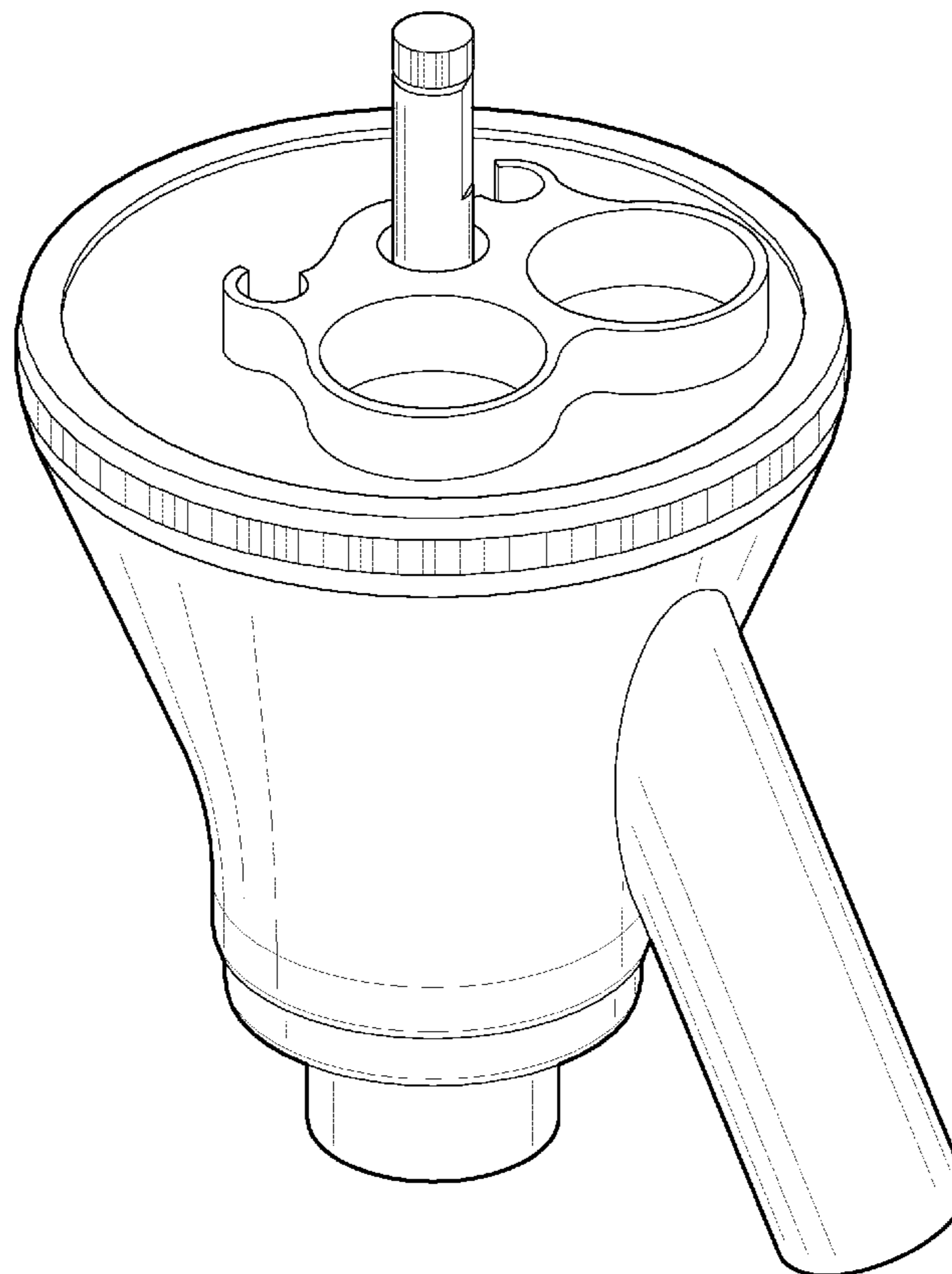
FIG. 4 is a front elevational view thereof;

FIG. 5 is a rear elevational view thereof;

FIG. 6 is a right side elevational view thereof; and,

FIG. 7 is a left side elevational view thereof.

1 Claim, 4 Drawing Sheets



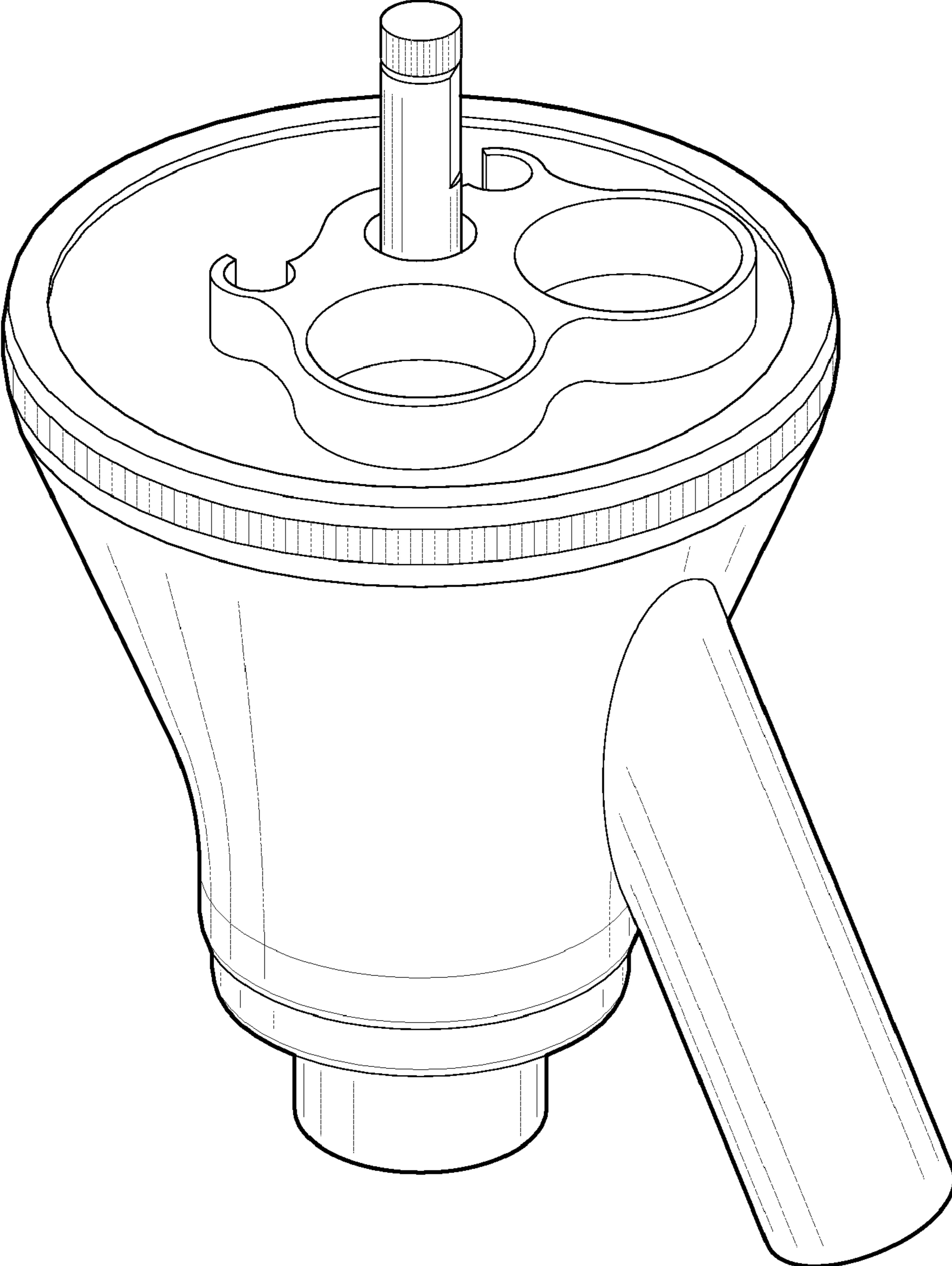


FIG. 1

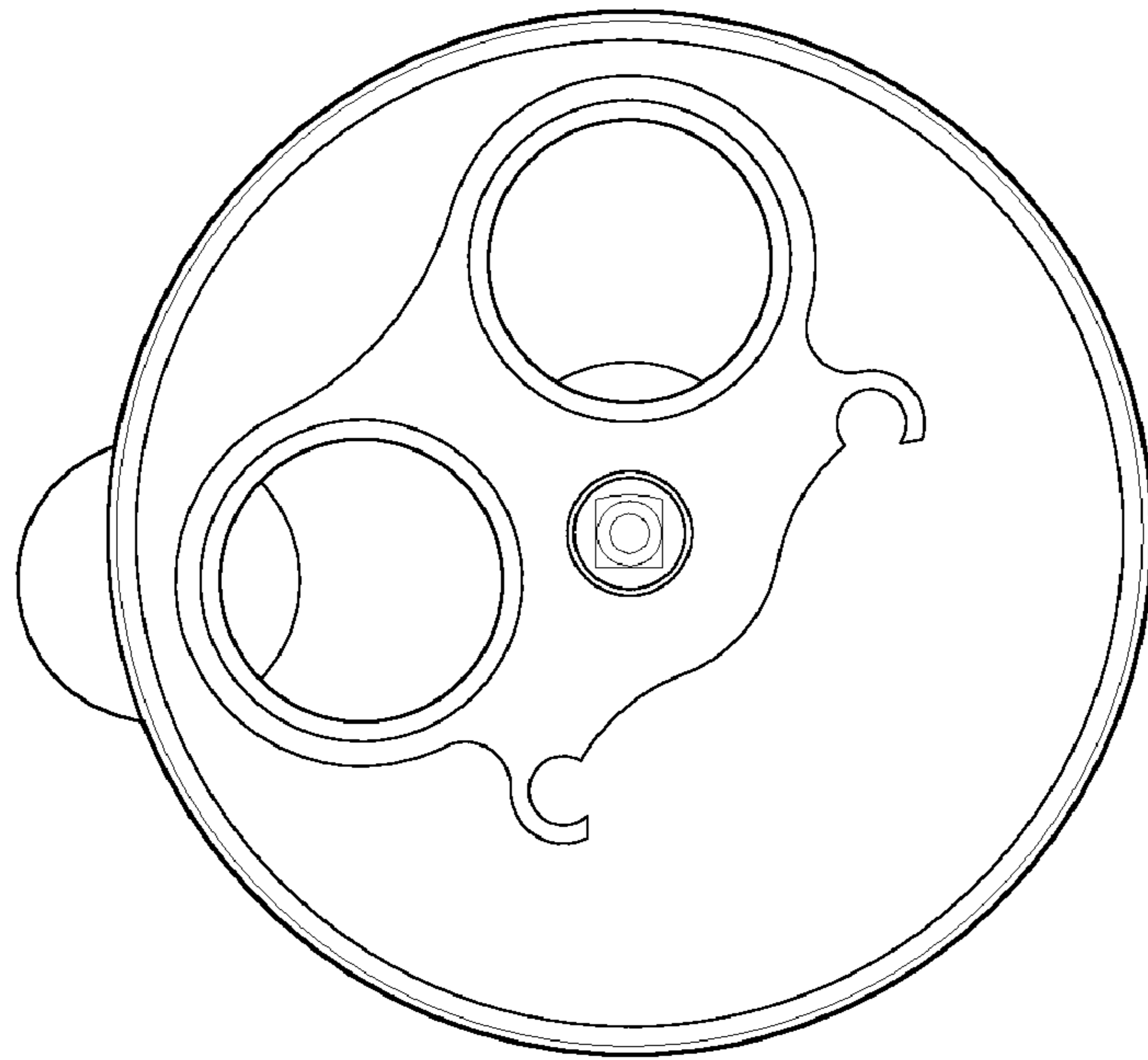


FIG. 2

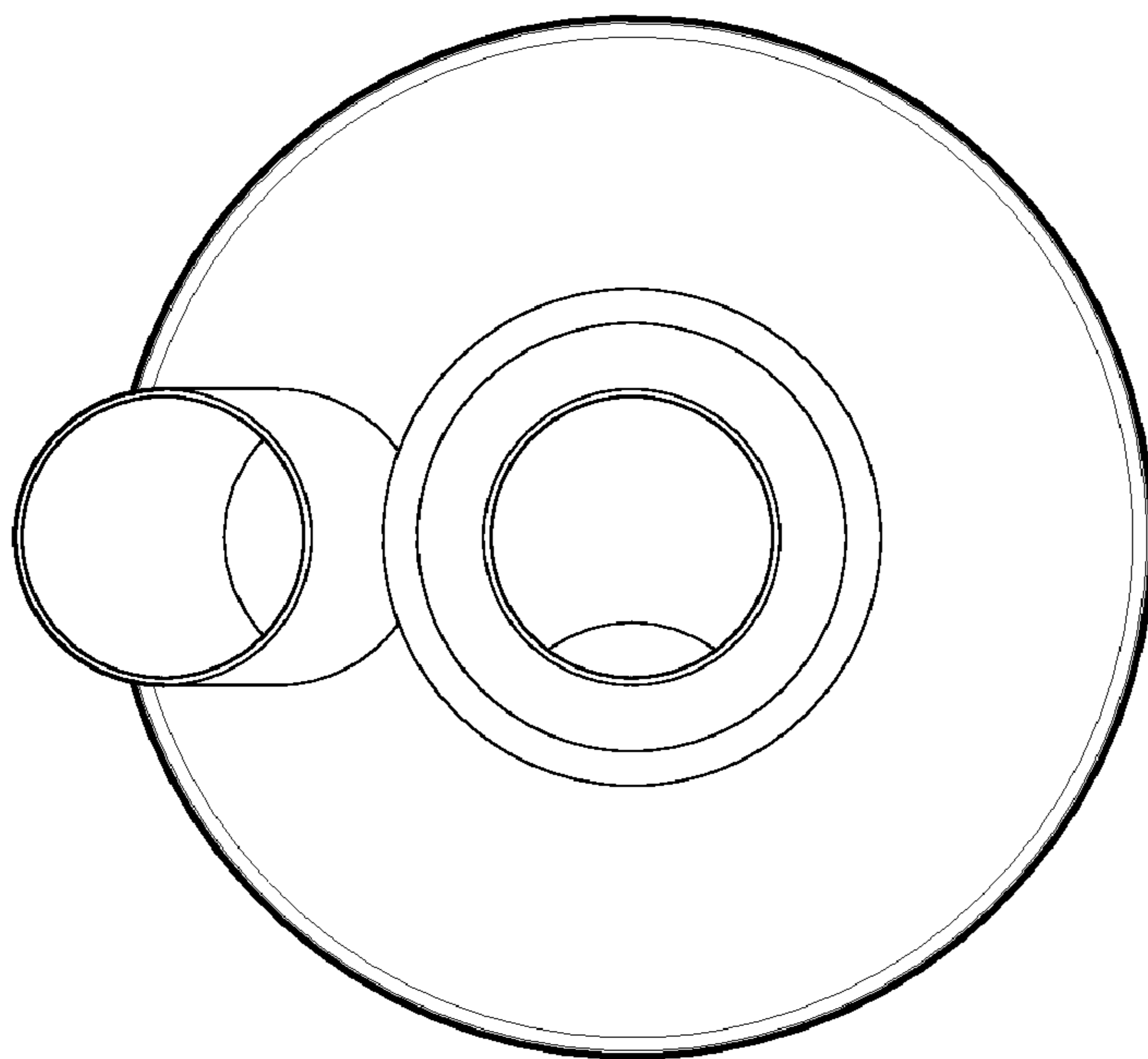


FIG. 3

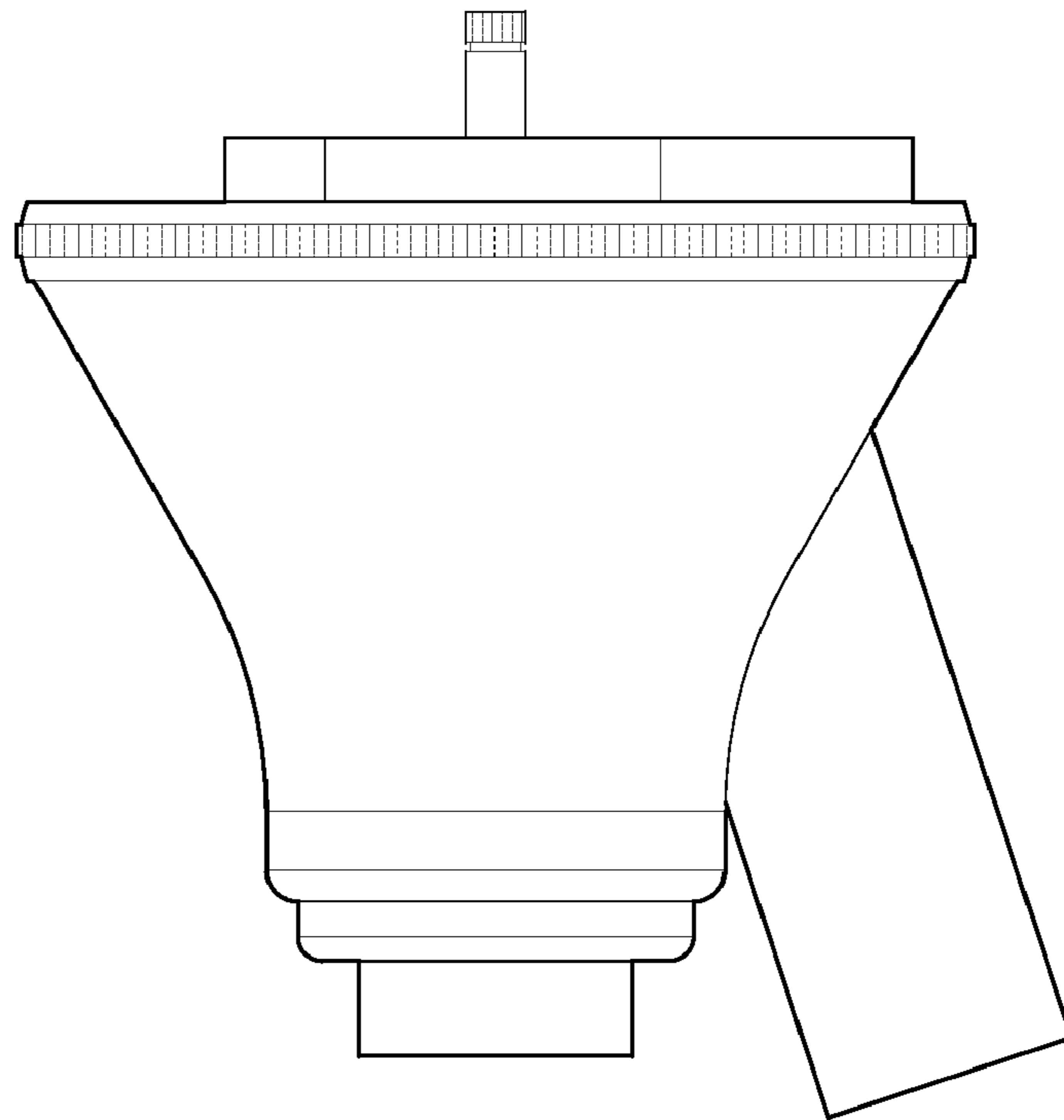


FIG. 4

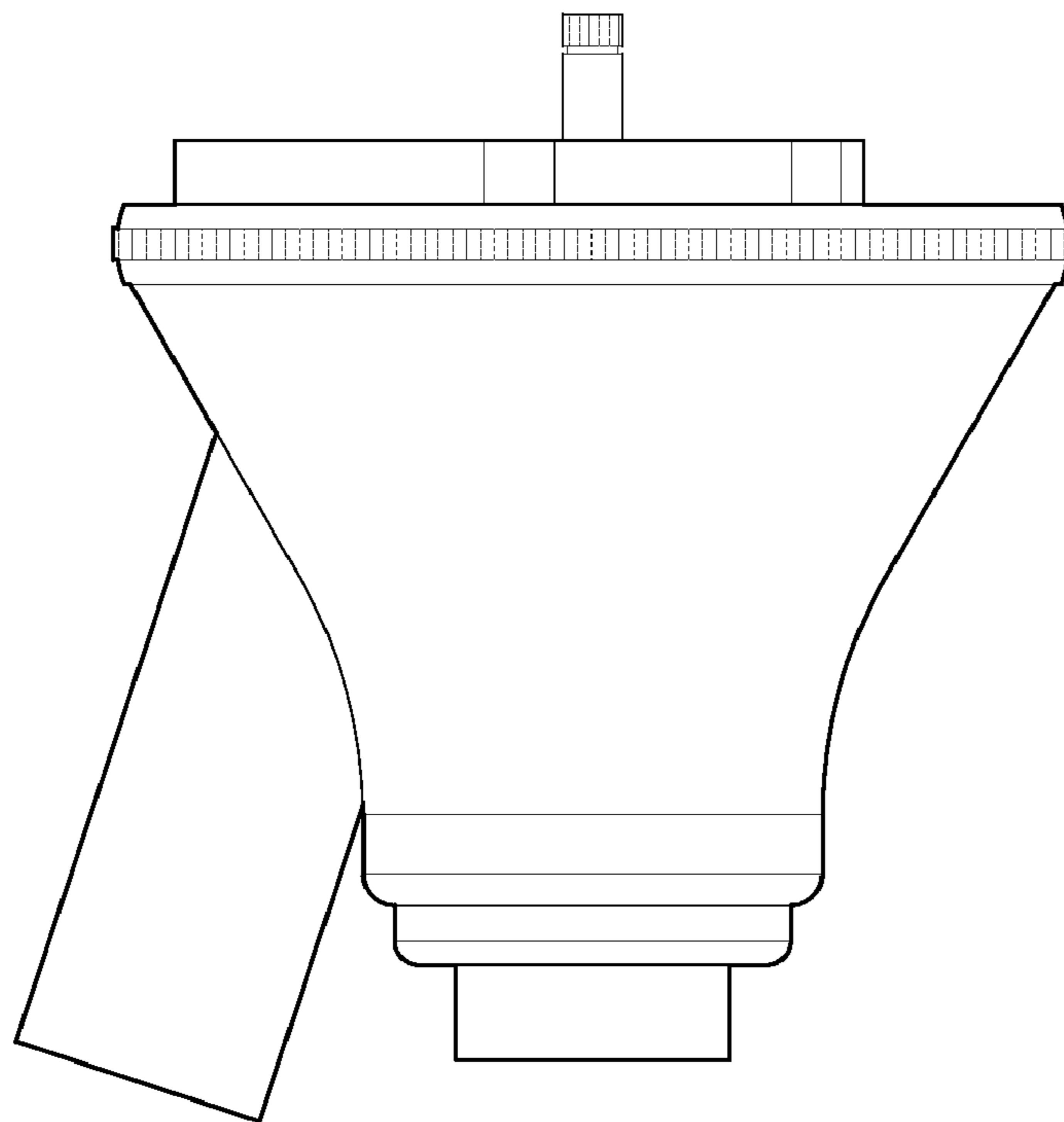


FIG. 5

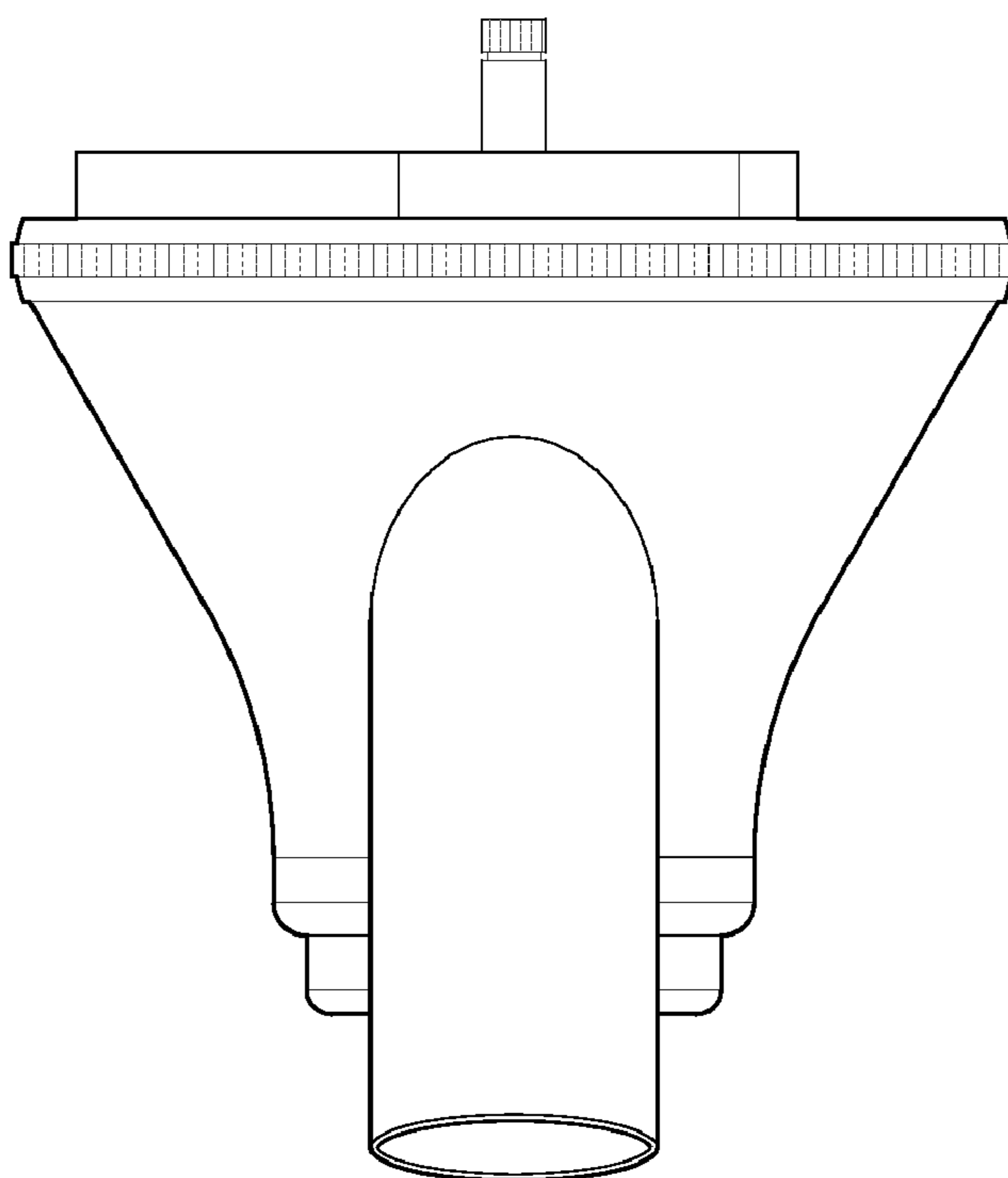


FIG. 6

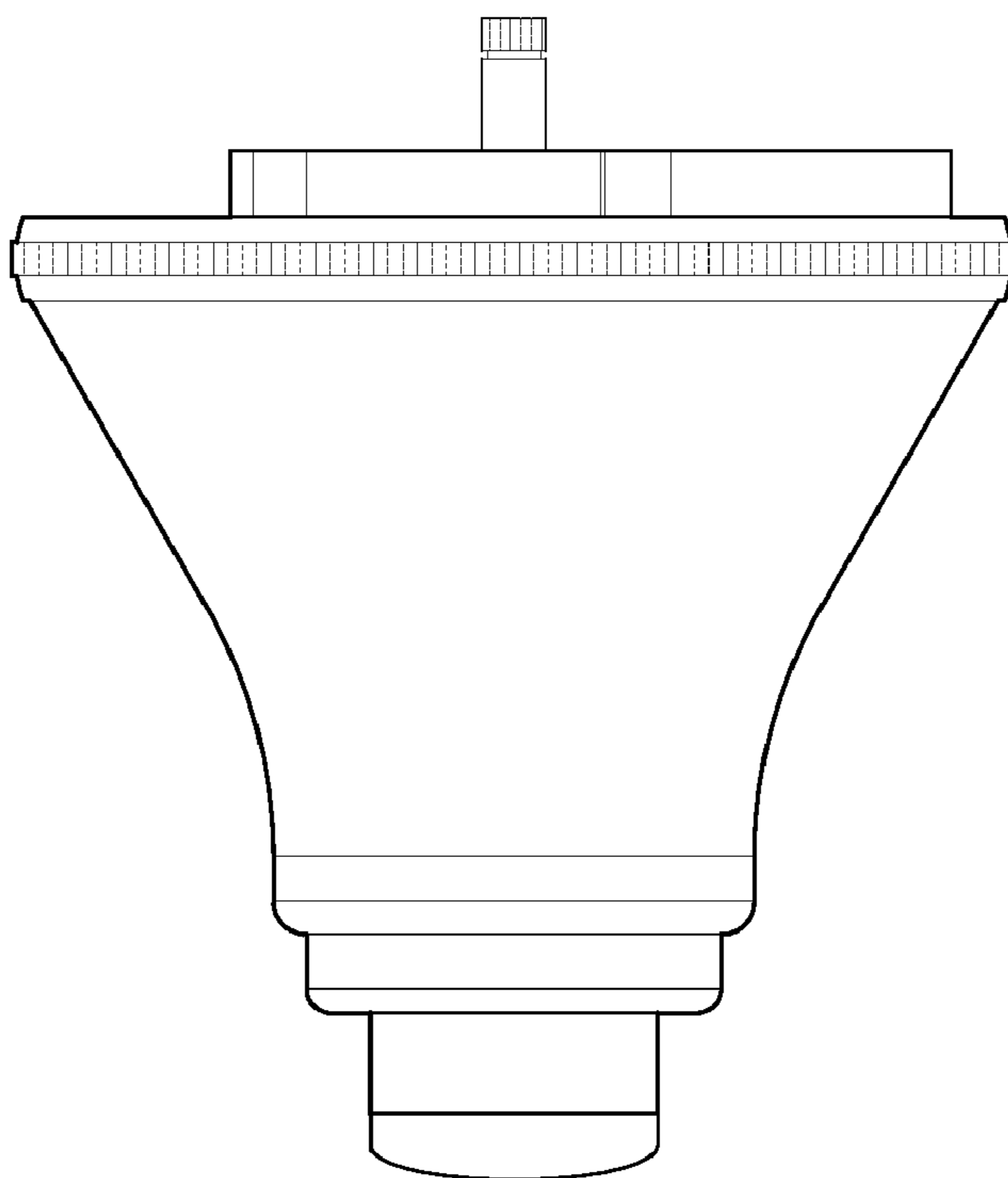


FIG. 7