



US00D627815S

(12) **United States Design Patent**
Oba

(10) **Patent No.:** **US D627,815 S**

(45) **Date of Patent:** **** Nov. 23, 2010**

(54) **MONITOR WITH CAMERA**

(75) Inventor: **Kazue Oba**, Yokohama (JP)

(73) Assignee: **Tomy Company, Ltd.**, Tokyo (JP)

(**) Term: **14 Years**

(21) Appl. No.: **29/347,595**

(22) Filed: **Mar. 10, 2010**

(30) **Foreign Application Priority Data**

Sep. 11, 2009 (JP) 2009-021010

(51) **LOC (9) Cl.** **16-01**

(52) **U.S. Cl.** **D16/202; D16/211**

(58) **Field of Classification Search** D16/200–204,
D16/208, 211, 218, 219, 242; 348/143, 373–376;
396/427, 535–541

See application file for complete search history.

(56) **References Cited**

U.S. PATENT DOCUMENTS

D454,146 S * 3/2002 Mori D16/211
D470,874 S * 2/2003 Chiu D16/202
D478,923 S * 8/2003 Han D16/202
6,705,774 B2 * 3/2004 Tashiro et al. 396/427
D533,575 S * 12/2006 Reawsanguanwong et al. .. D16/
202

D534,938 S * 1/2007 Beasley et al. D16/208

7,202,903 B2 * 4/2007 Lin et al. 348/373

D575,316 S * 8/2008 Liu et al. D16/202

D614,223 S * 4/2010 Kim et al. D16/211

D620,514 S * 7/2010 Kim et al. D16/242

* cited by examiner

Primary Examiner—Adir Aronovich

(74) *Attorney, Agent, or Firm*—Staas & Halsey LLP

(57) **CLAIM**

The ornamental design for a monitor with camera, as shown and described.

DESCRIPTION

FIG. 1 is a perspective view of the monitor with camera showing my design;

FIG. 2 is a front view thereof;

FIG. 3 is a rear view thereof;

FIG. 4 is a left-side view thereof;

FIG. 5 is a right-side view thereof;

FIG. 6 is a top plan view thereof;

FIG. 7 is a bottom plan view thereof; and,

FIG. 8 is a side view showing an upper portion of the monitor with camera folded relative to a base thereof.

1 Claim, 4 Drawing Sheets

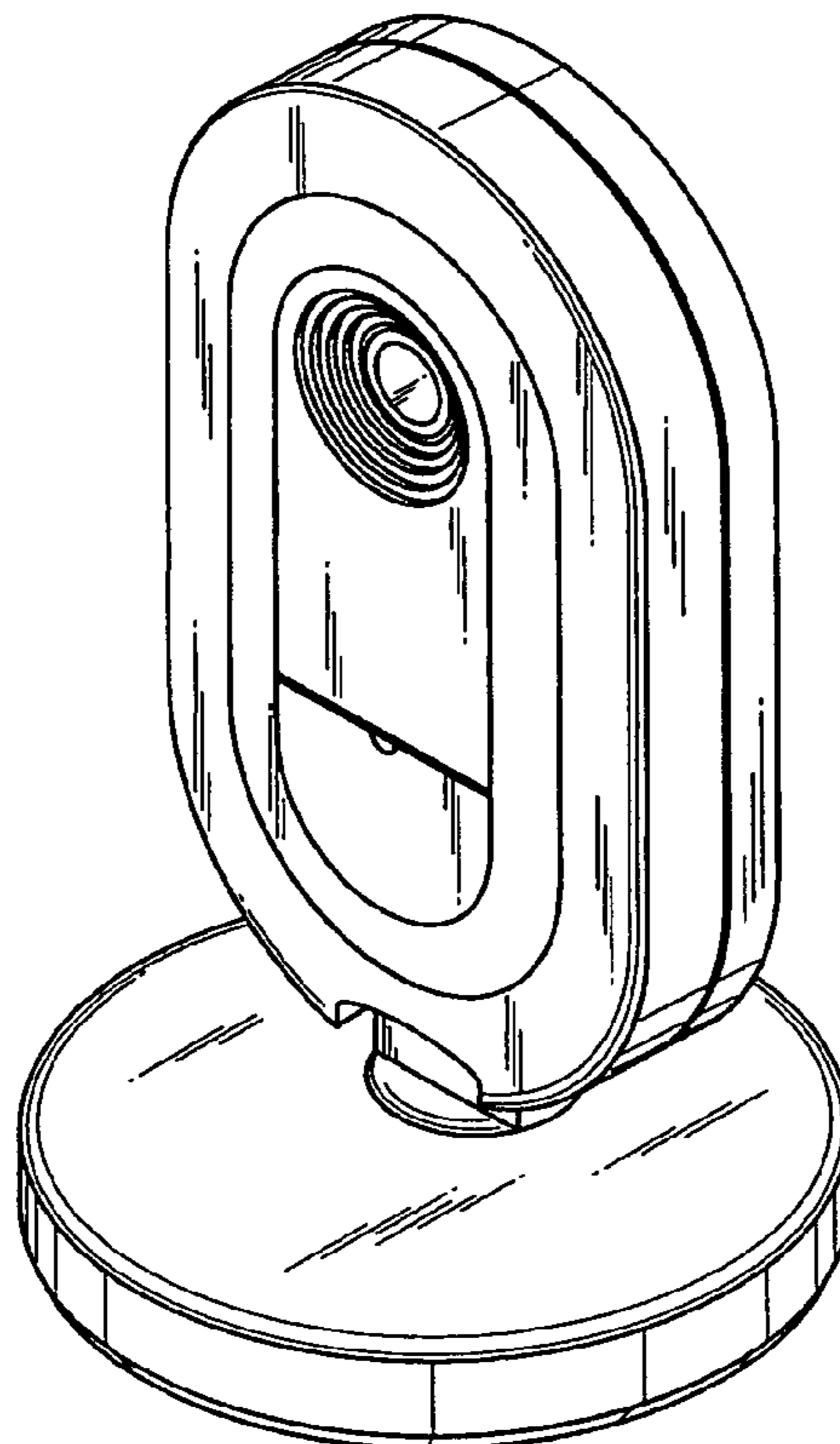


FIG. 1

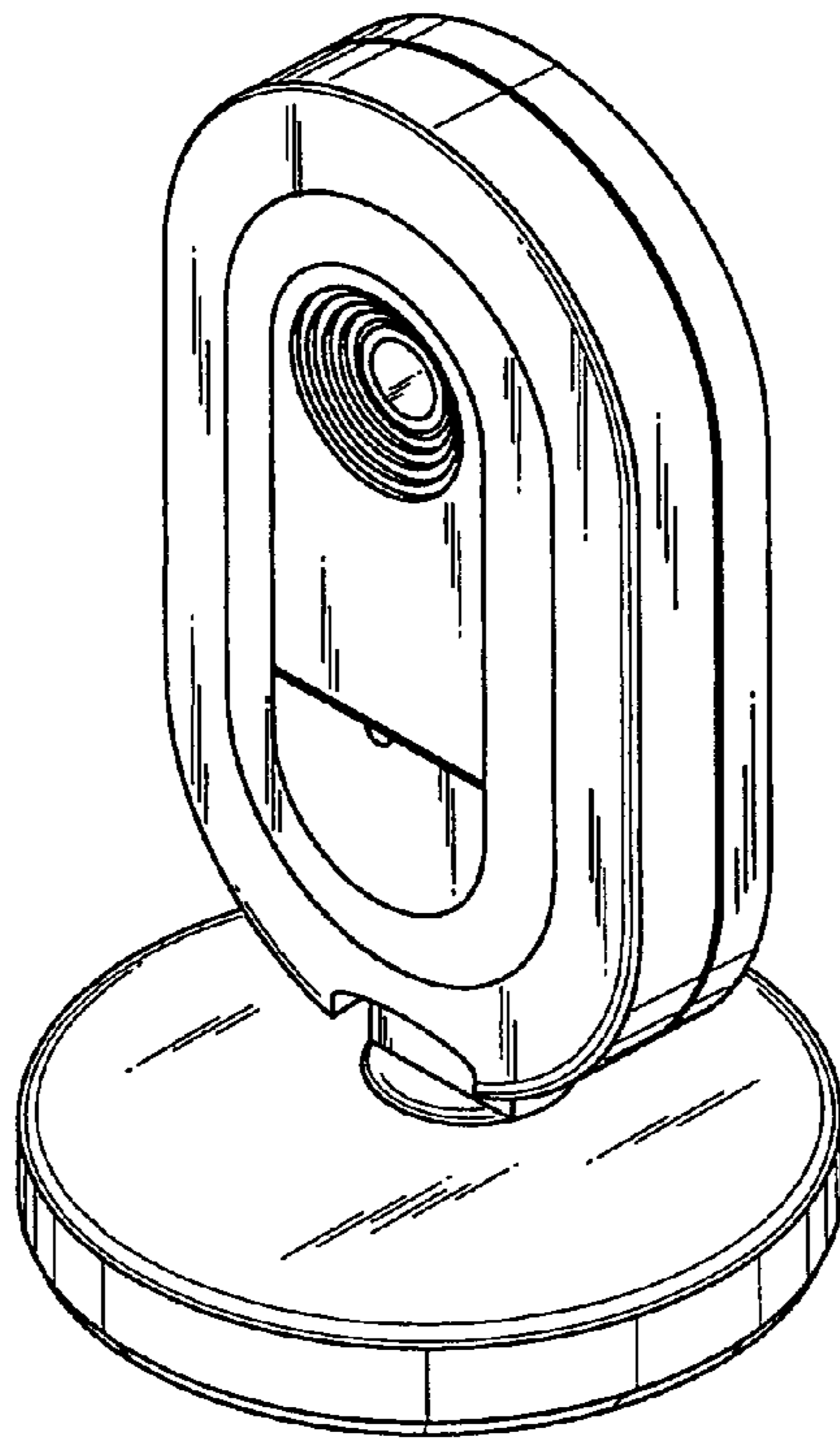


FIG. 2

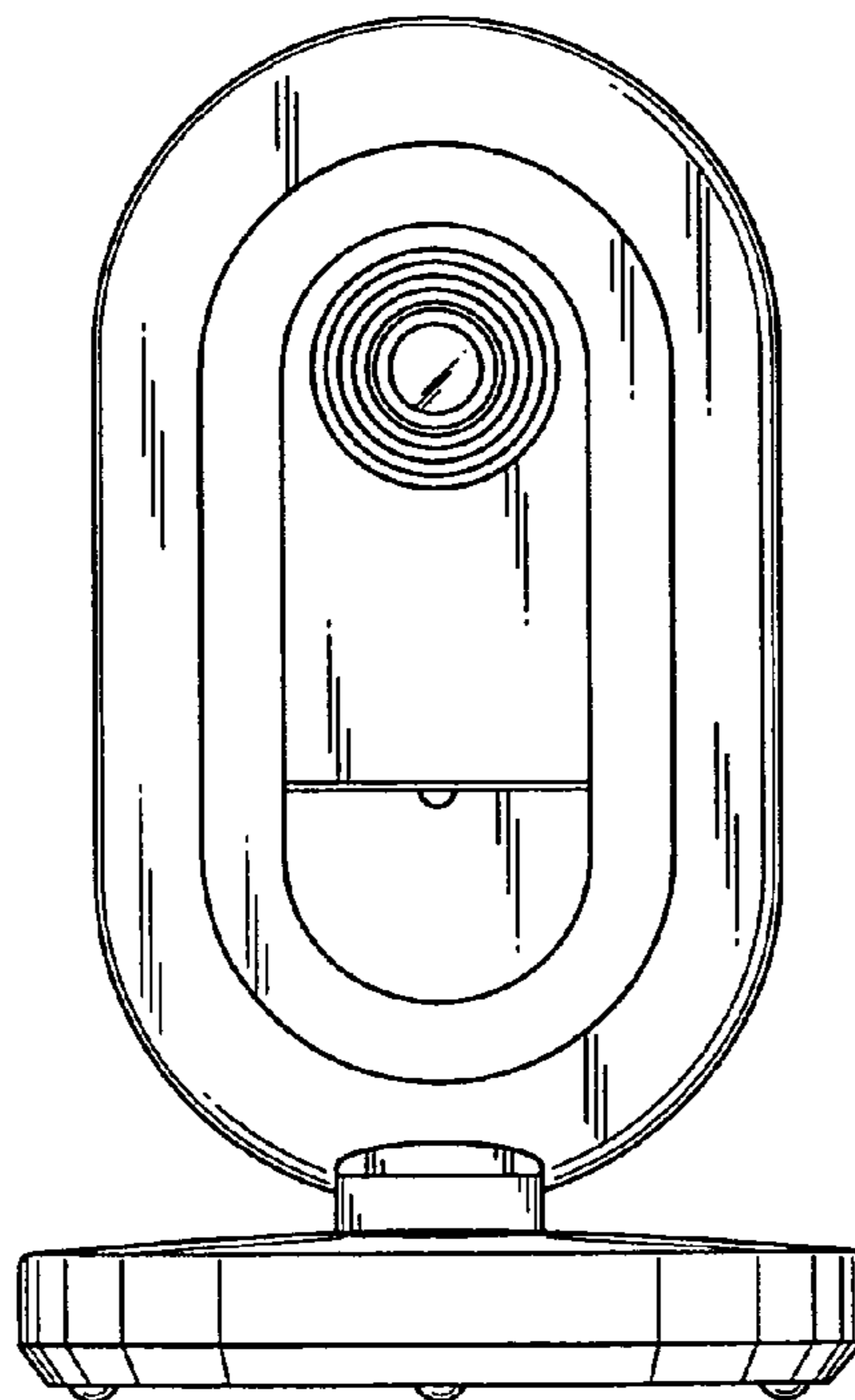


FIG. 3

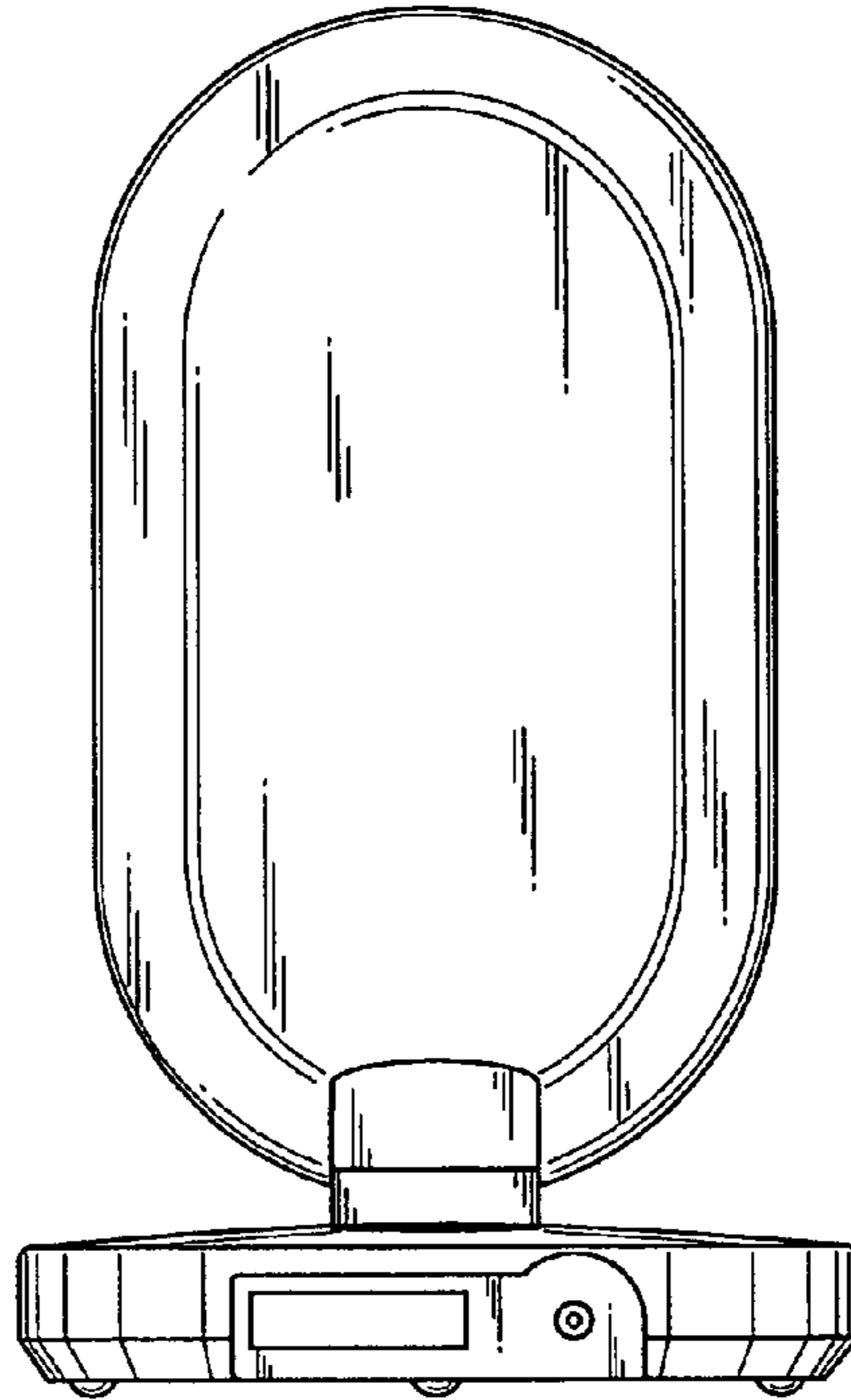


FIG. 4

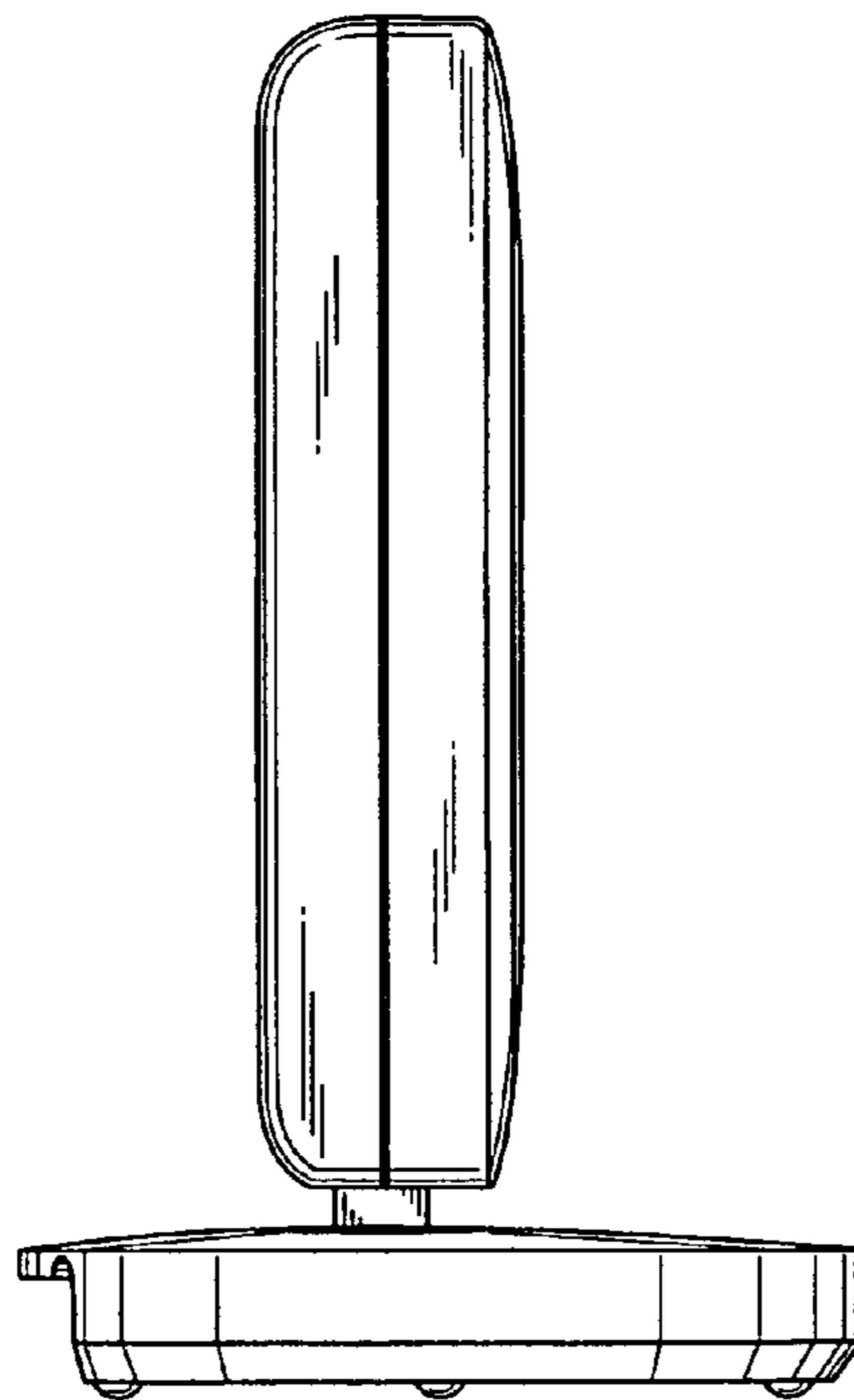


FIG. 5

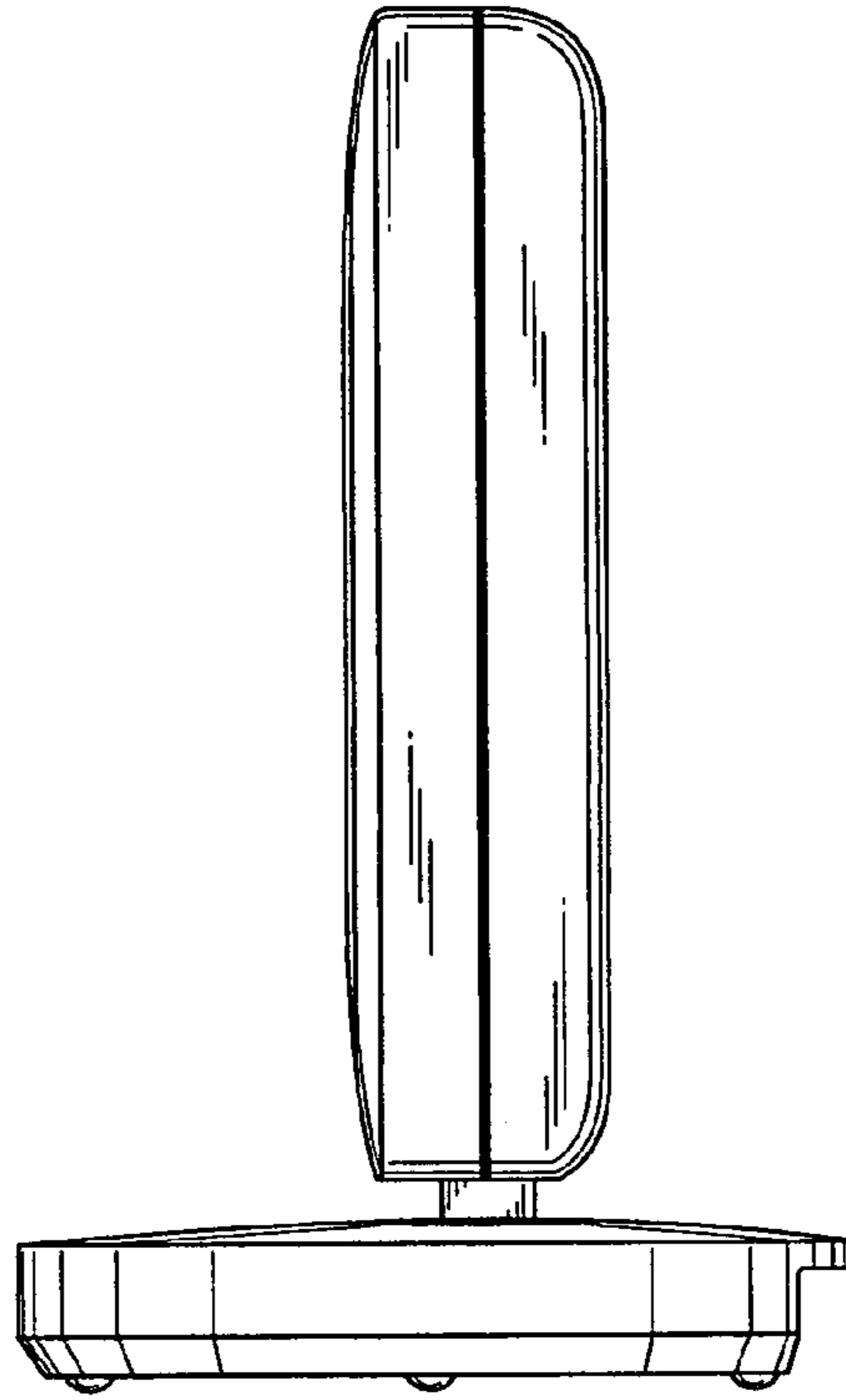


FIG. 6

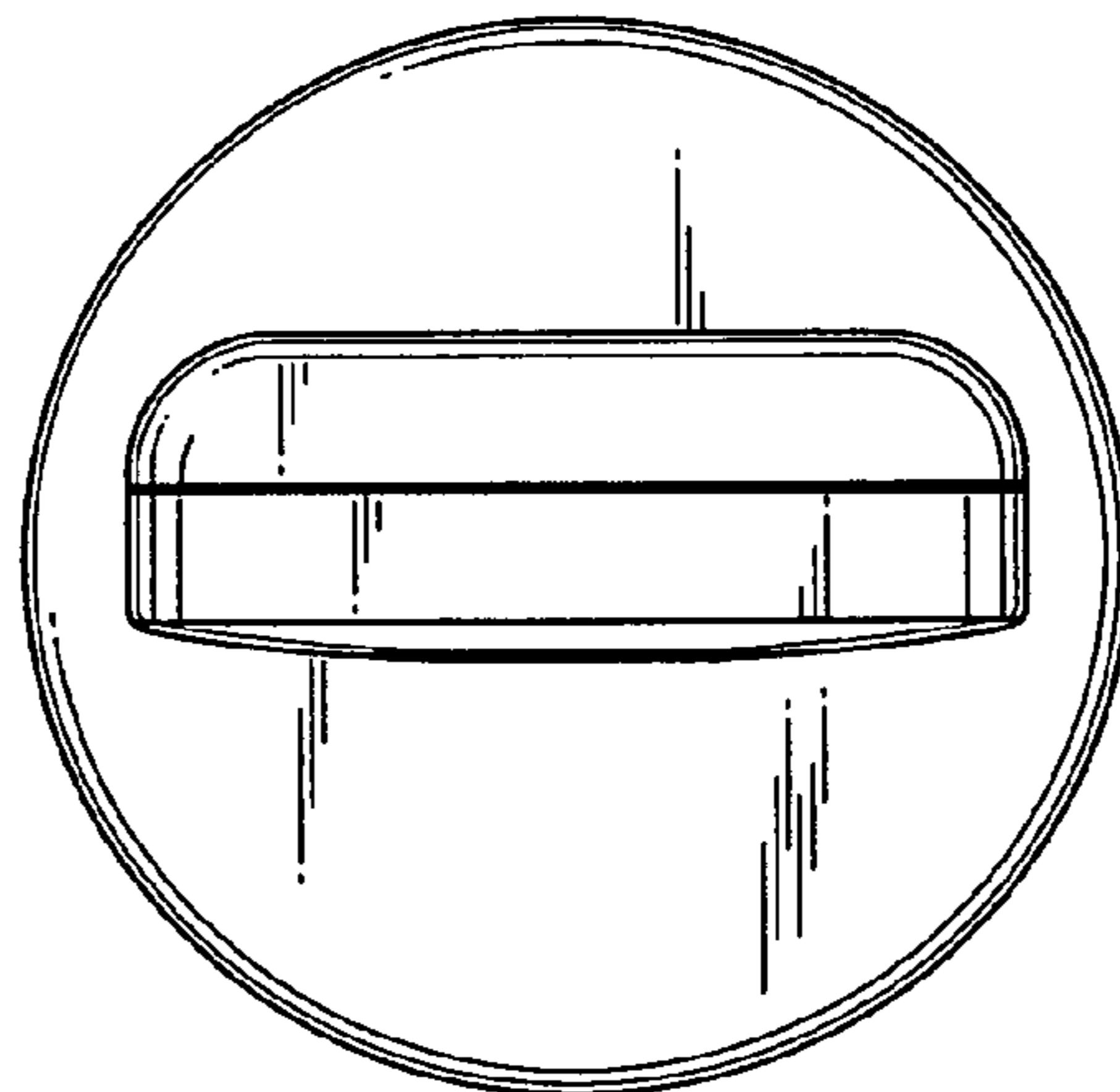


FIG. 7

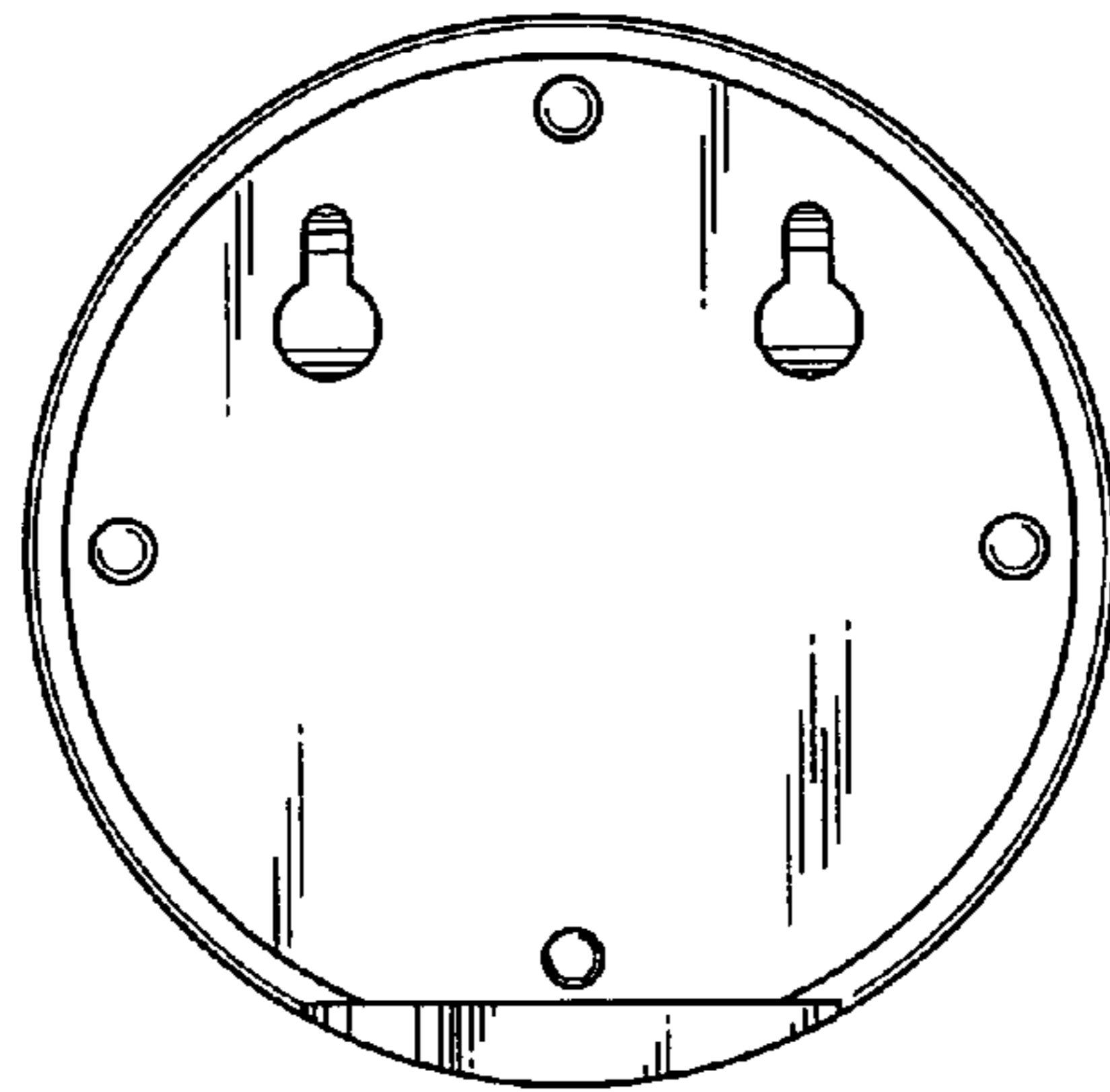


FIG. 8

