



US00D627814S

(12) **United States Design Patent**
Tzeng et al.

(10) **Patent No.:** **US D627,814 S**

(45) **Date of Patent:** **** Nov. 23, 2010**

(54) **WIRELESS WEBCAM**

D530,732 S * 10/2006 Tanaka et al. D16/202

(75) Inventors: **Guan-Hua Tzeng**, Tu-Cheng (TW);
Kun-Wei Tsai, Tu-Cheng (TW)

* cited by examiner

Primary Examiner—Adir Aronovich

(73) Assignee: **Cheng UEI Precision Industry Co., Ltd.**, Tu-Cheng, Taipei Hsien (TW)

(74) *Attorney, Agent, or Firm*—Cheng-Ju Chiang

(**) Term: **14 Years**

(57) **CLAIM**

(21) Appl. No.: **29/346,002**

The ornamental design for a wireless webcam, as shown and described.

(22) Filed: **Oct. 23, 2009**

DESCRIPTION

(51) **LOC (9) Cl.** **16-01**

FIG. 1 is a perspective view of a wireless webcam showing our new design;

(52) **U.S. Cl.** **D16/202**

FIG. 2 is a front elevational view thereof;

(58) **Field of Classification Search** D16/200,
D16/202, 203, 204, 208, 218; 348/373, 375;
396/535–541

FIG. 3 is a rear elevational view thereof;

See application file for complete search history.

FIG. 4 is a left side elevational view thereof;

FIG. 5 is a right side elevational view thereof;

(56) **References Cited**

FIG. 6 is a top plan view thereof; and,

U.S. PATENT DOCUMENTS

FIG. 7 is a bottom plan view thereof.

D365,585 S * 12/1995 Ray D16/202

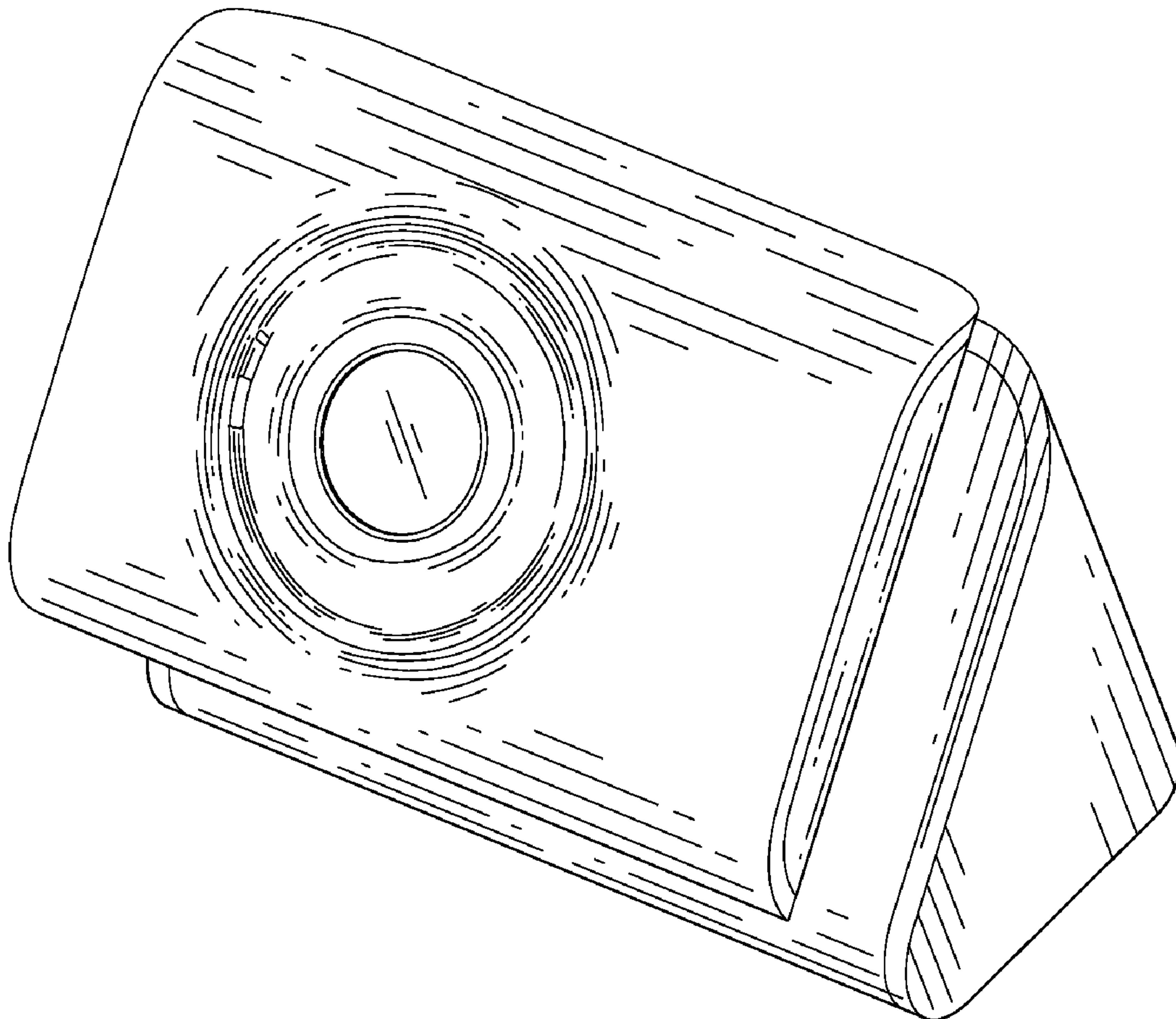
The broken lines in the FIG. 3 are shown for illustrative purposes only and form no part of the claimed design.

D508,064 S * 8/2005 Ramirez D16/203

D518,842 S * 4/2006 Hilborn et al. D16/208

D524,834 S * 7/2006 Dozier et al. D16/200

1 Claim, 7 Drawing Sheets



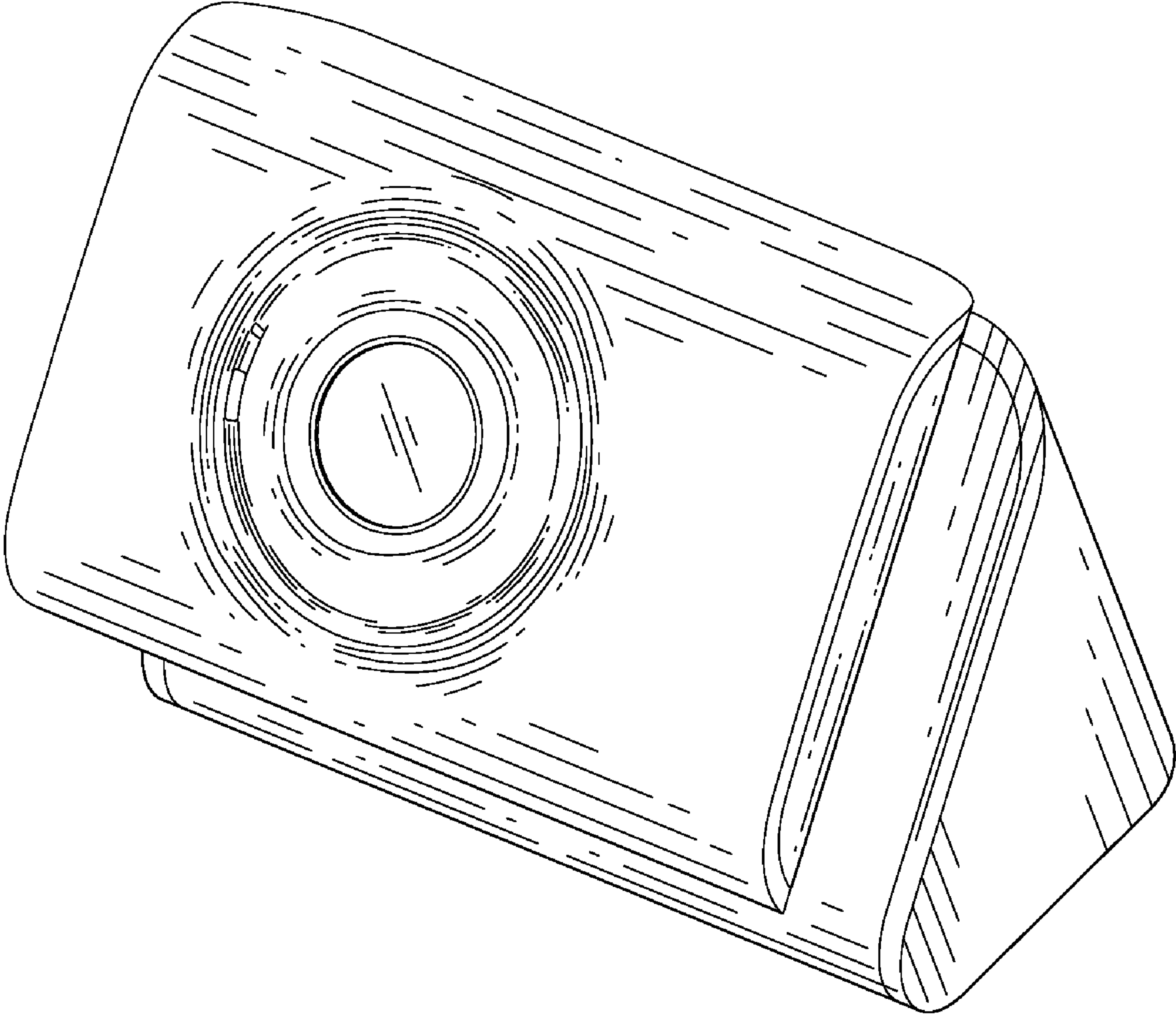


FIG. 1

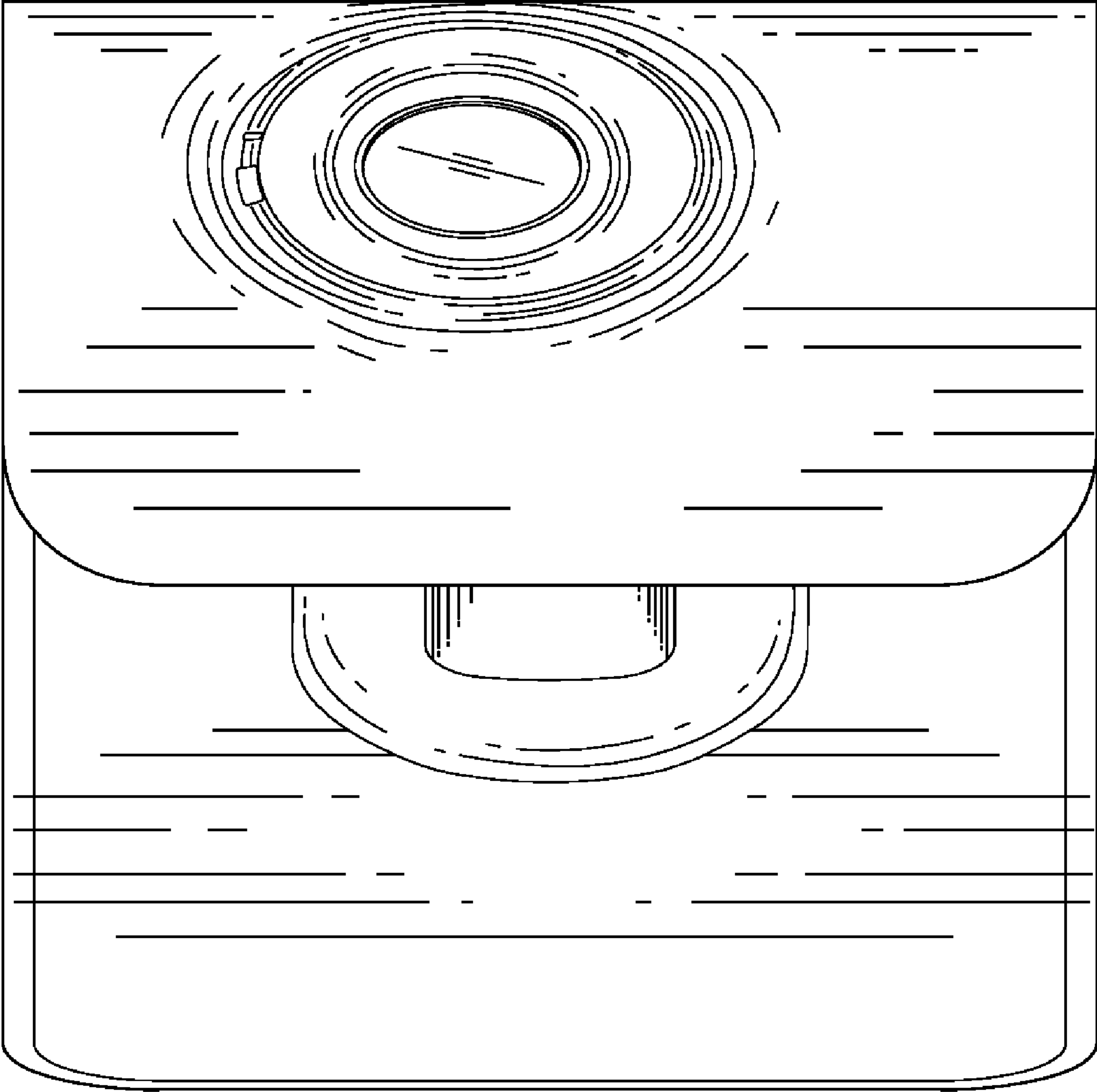


FIG. 2

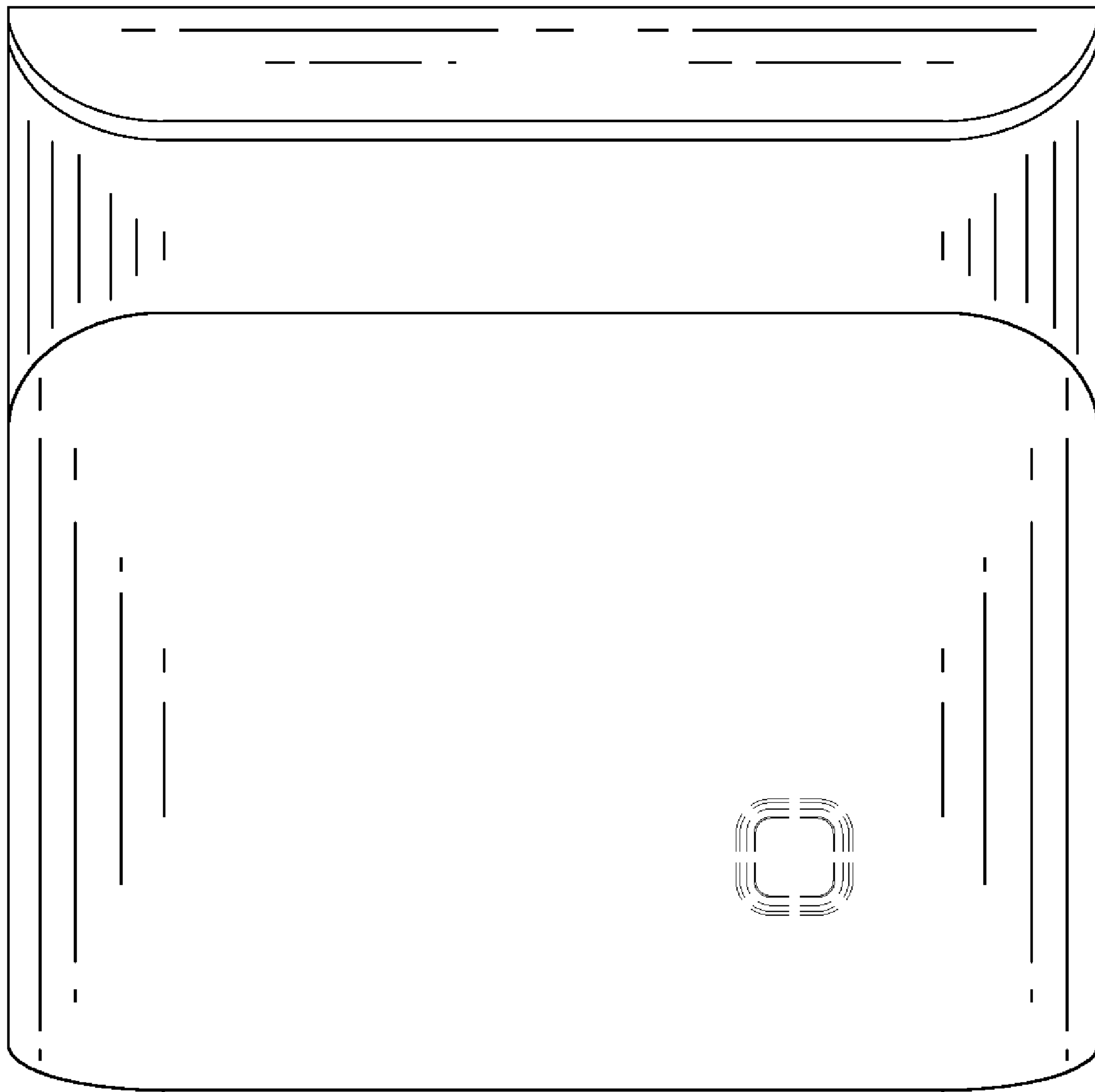


FIG. 3

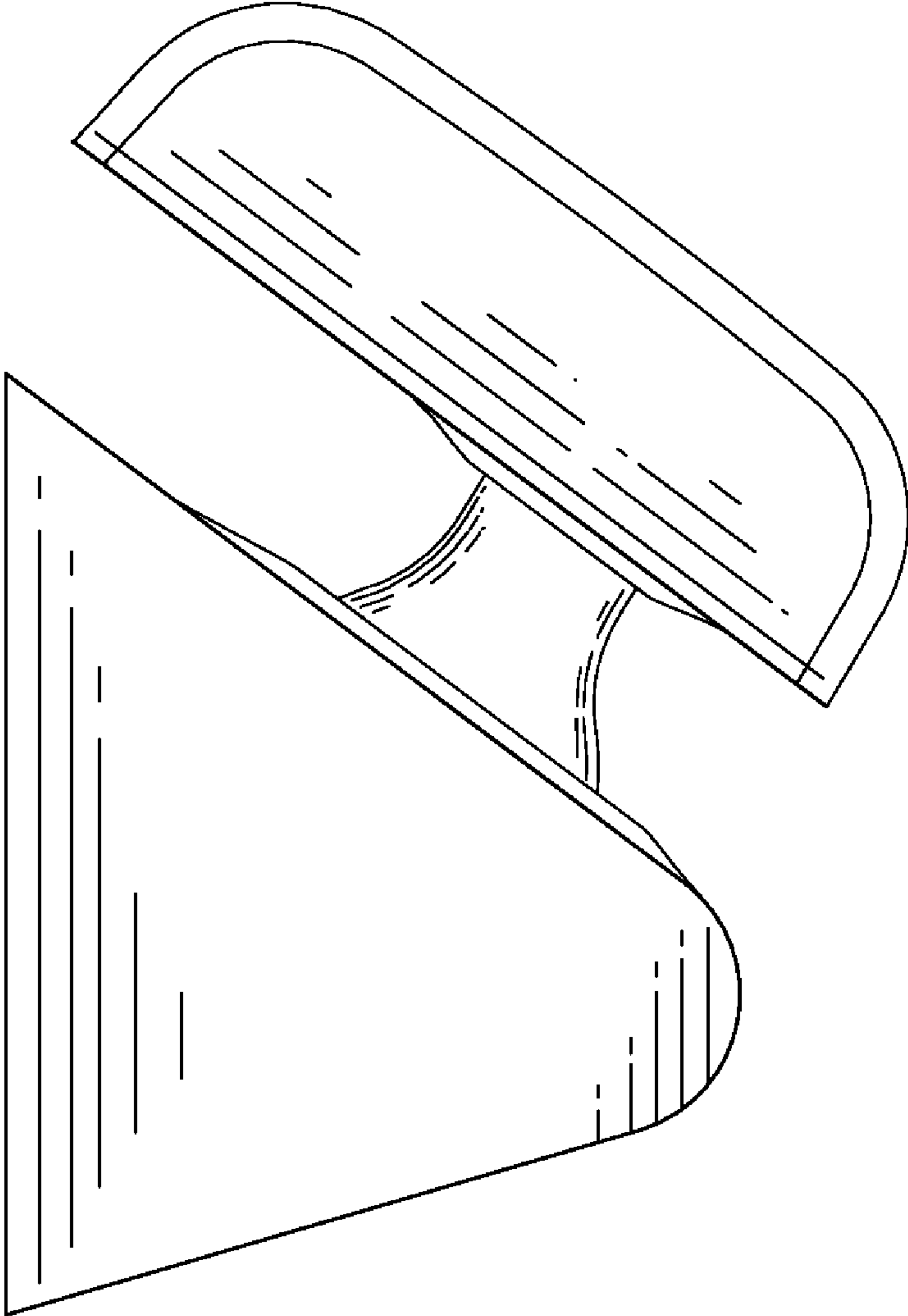


FIG. 4

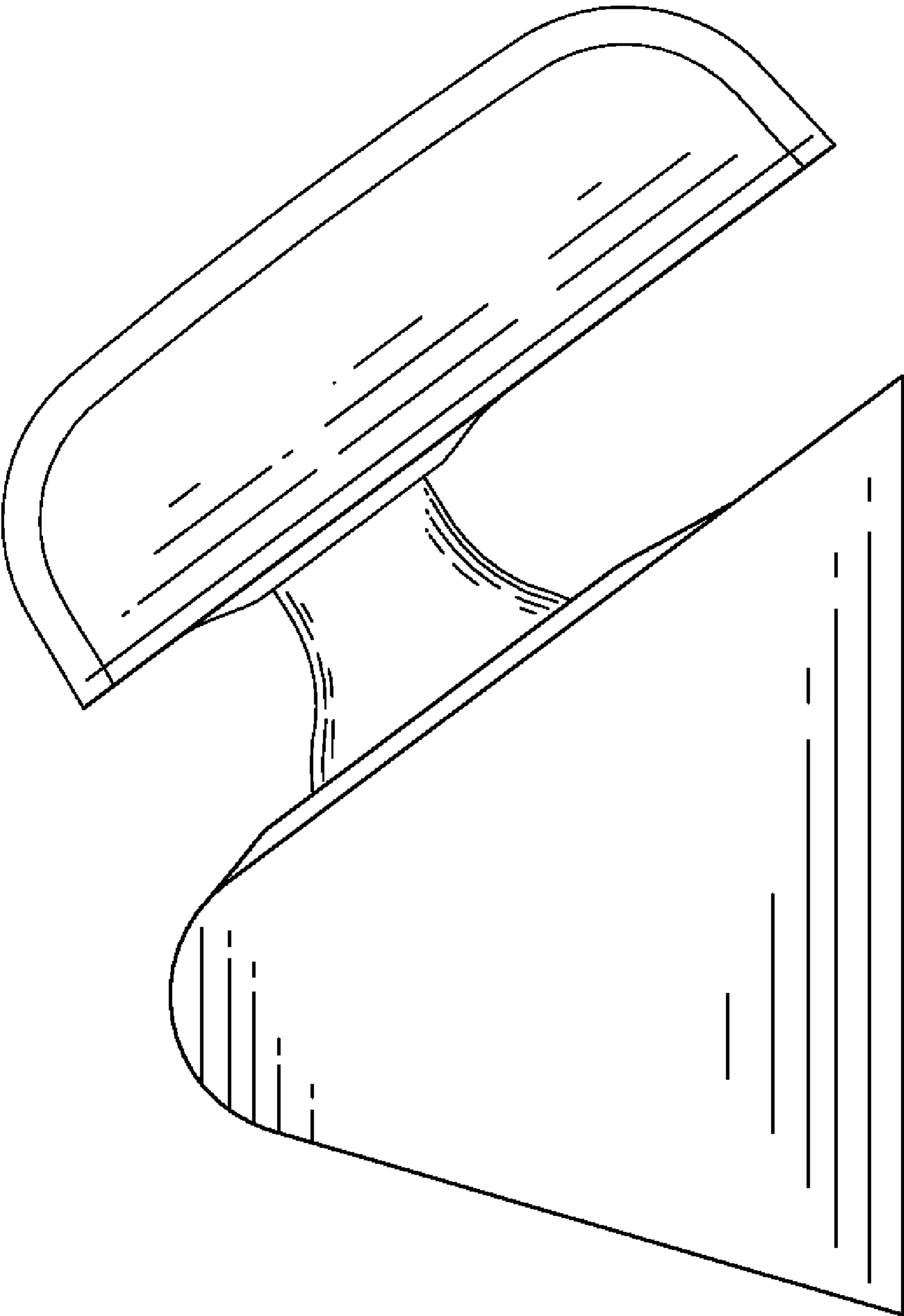


FIG. 5

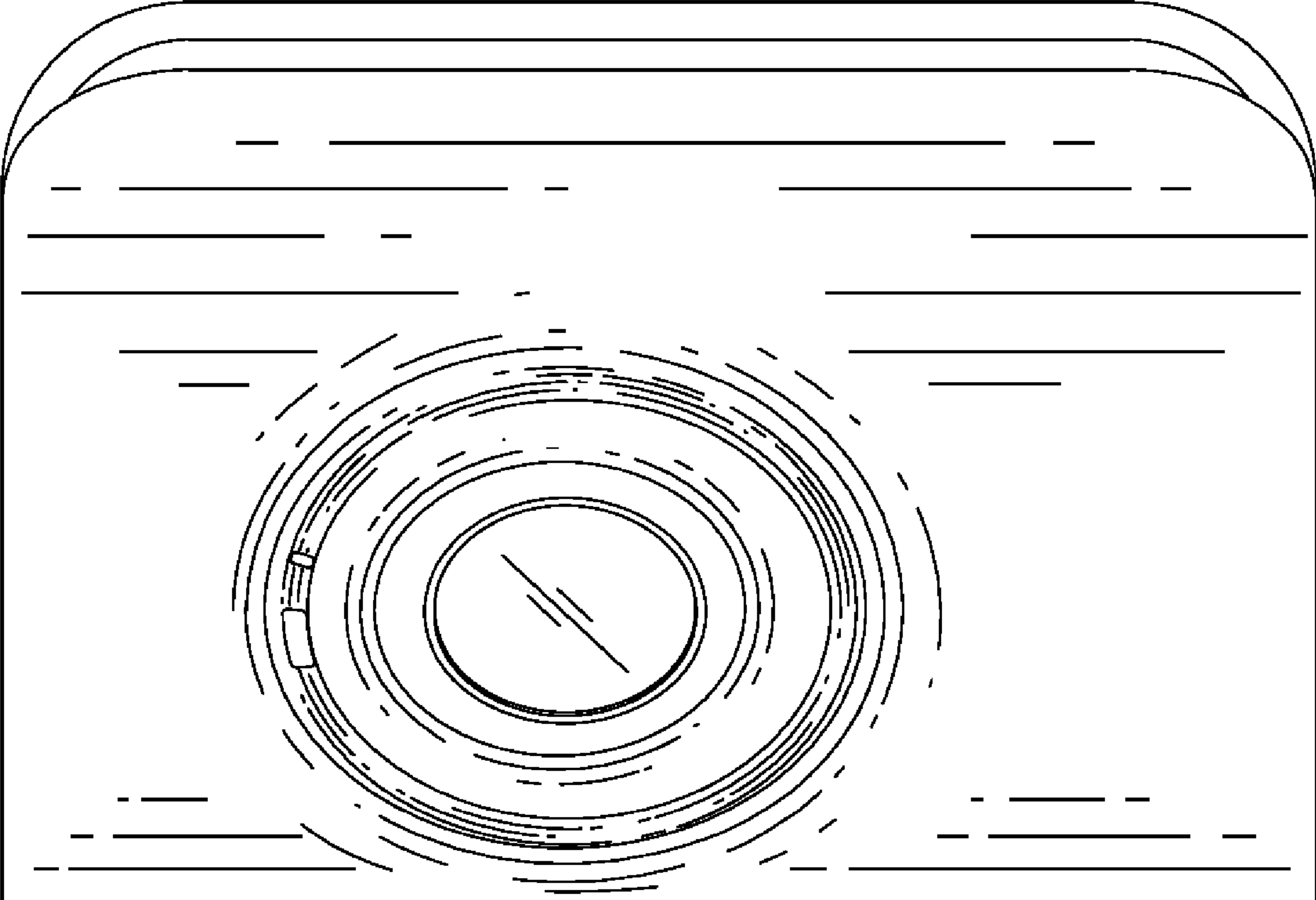


FIG. 6

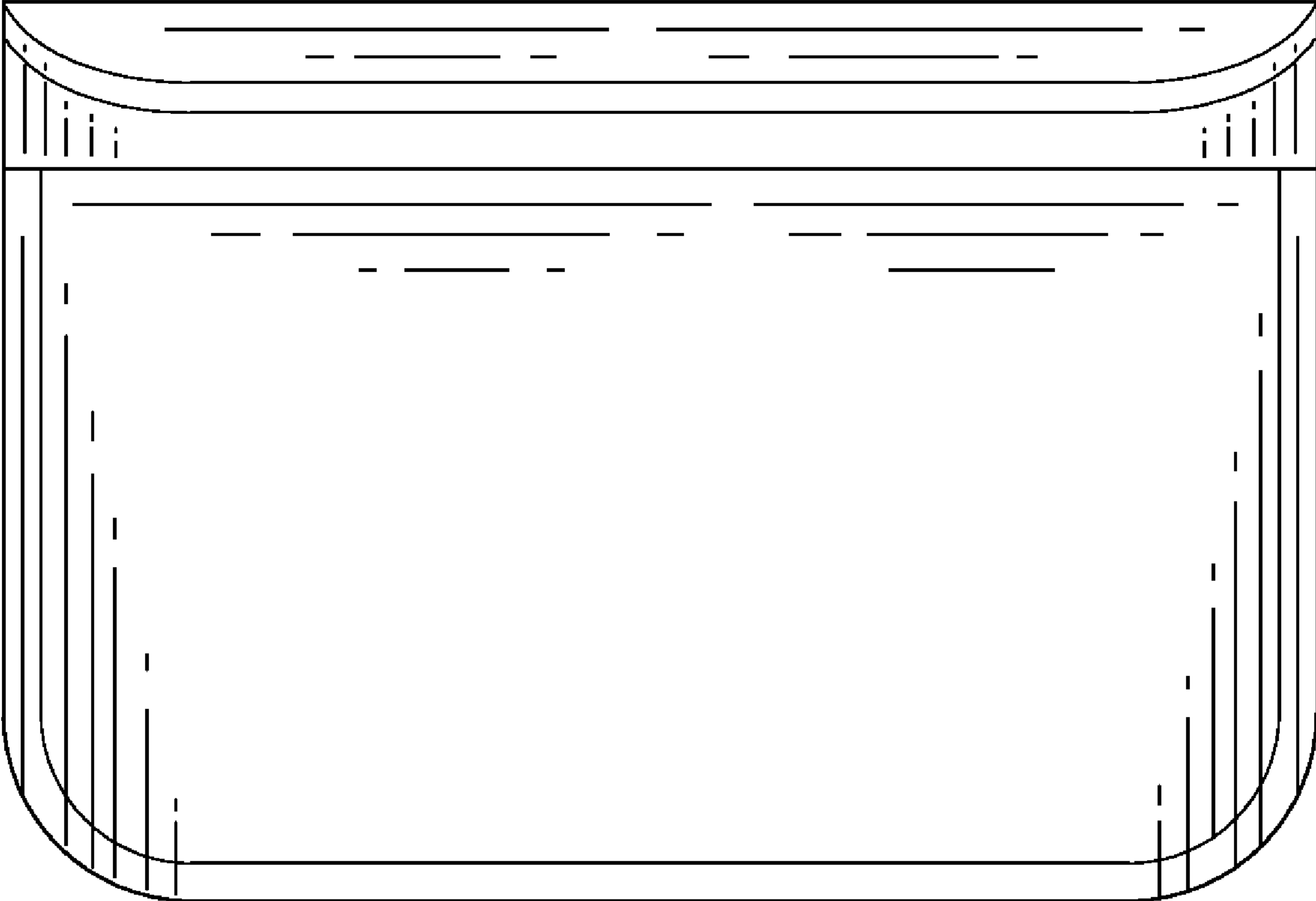


FIG. 7