



US00D627813S

(12) **United States Design Patent**
Chen et al.

(10) **Patent No.:** **US D627,813 S**

(45) **Date of Patent:** **** Nov. 23, 2010**

(54) **WEBCAM**

D550,266 S * 9/2007 Lau D16/202
D564,004 S * 3/2008 Ikeda et al. D16/202
D614,223 S * 4/2010 Kim et al. D16/211

(75) Inventors: **Chih-Chung Chen**, Tu-Cheng (TW);
Kun-Wei Tsai, Tu-Cheng (TW)

* cited by examiner

(73) Assignee: **Cheng UEI Precision Industry Co., Ltd.**, Tu-Cheng, Taipei Hsien (TW)

Primary Examiner—Adir Aronovich
(74) *Attorney, Agent, or Firm*—Cheng-Ju Chiang

(**) Term: **14 Years**

(57) **CLAIM**

(21) Appl. No.: **29/345,006**

The ornamental design for a webcam, as shown and described.

(22) Filed: **Oct. 7, 2009**

(51) **LOC (9) Cl.** **16-01**

(52) **U.S. Cl.** **D16/202**

(58) **Field of Classification Search** D16/200,
D16/202, 203, 204, 208, 211, 218, 242; 348/373,
348/375; 396/419, 535

See application file for complete search history.

DESCRIPTION

FIG. 1 is a perspective view of webcam showing our new design;

FIG. 2 is a front elevational view thereof;

FIG. 3 is a rear elevational view thereof;

FIG. 4 is a left side elevational view thereof;

FIG. 5 is a right side elevational view thereof;

FIG. 6 is a top plan view thereof;

FIG. 7 is a bottom plan view thereof; and,

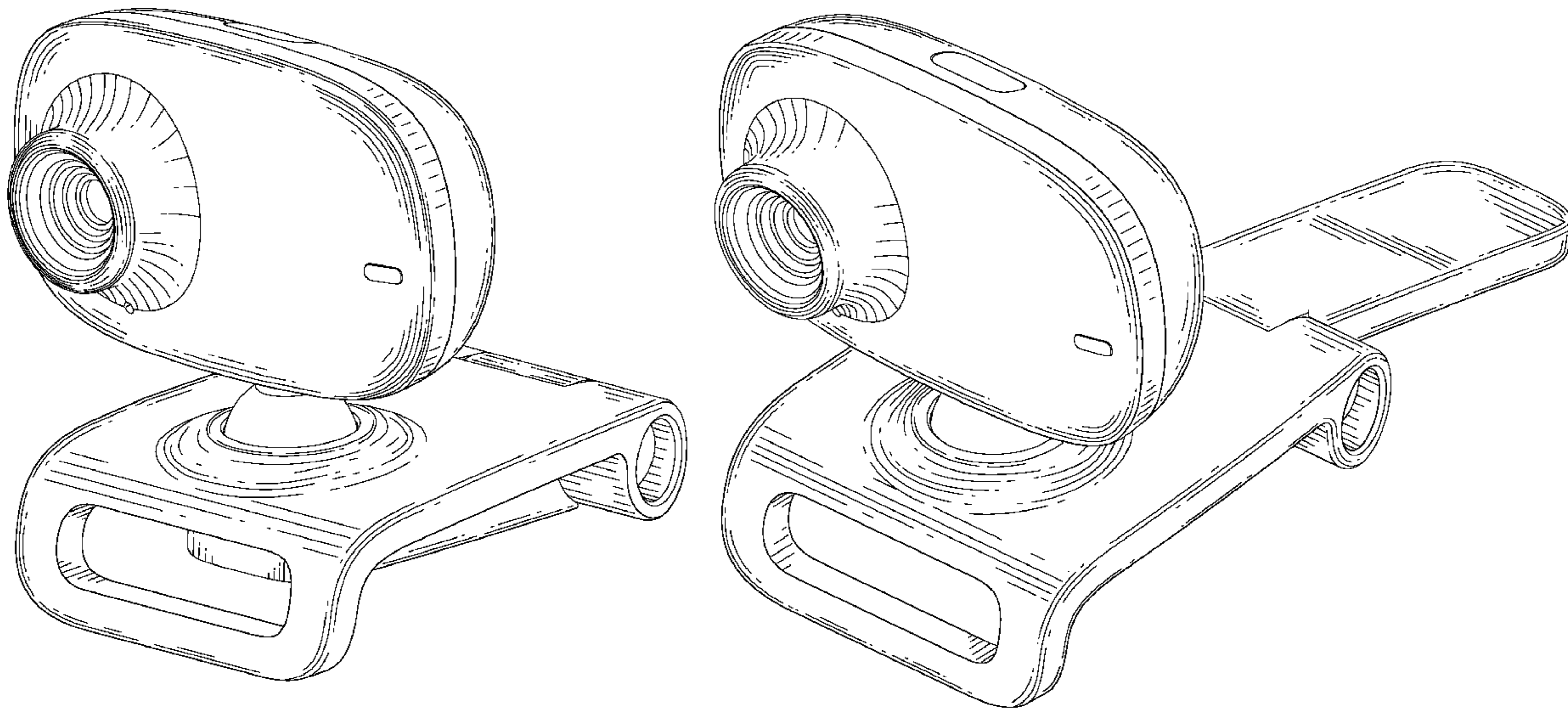
FIG. 8 is a perspective view showing webcam of our new design in a using status.

(56) **References Cited**

U.S. PATENT DOCUMENTS

D396,869 S * 8/1998 Yamakawa et al. D16/202
D426,249 S * 6/2000 Tsujimoto D16/202
6,239,841 B1 * 5/2001 Verstockt et al. 348/373
D458,621 S * 6/2002 Kawashima D16/202
D507,007 S * 7/2005 Sitoh et al. D16/202
D527,755 S * 9/2006 Wu D16/202

1 Claim, 8 Drawing Sheets



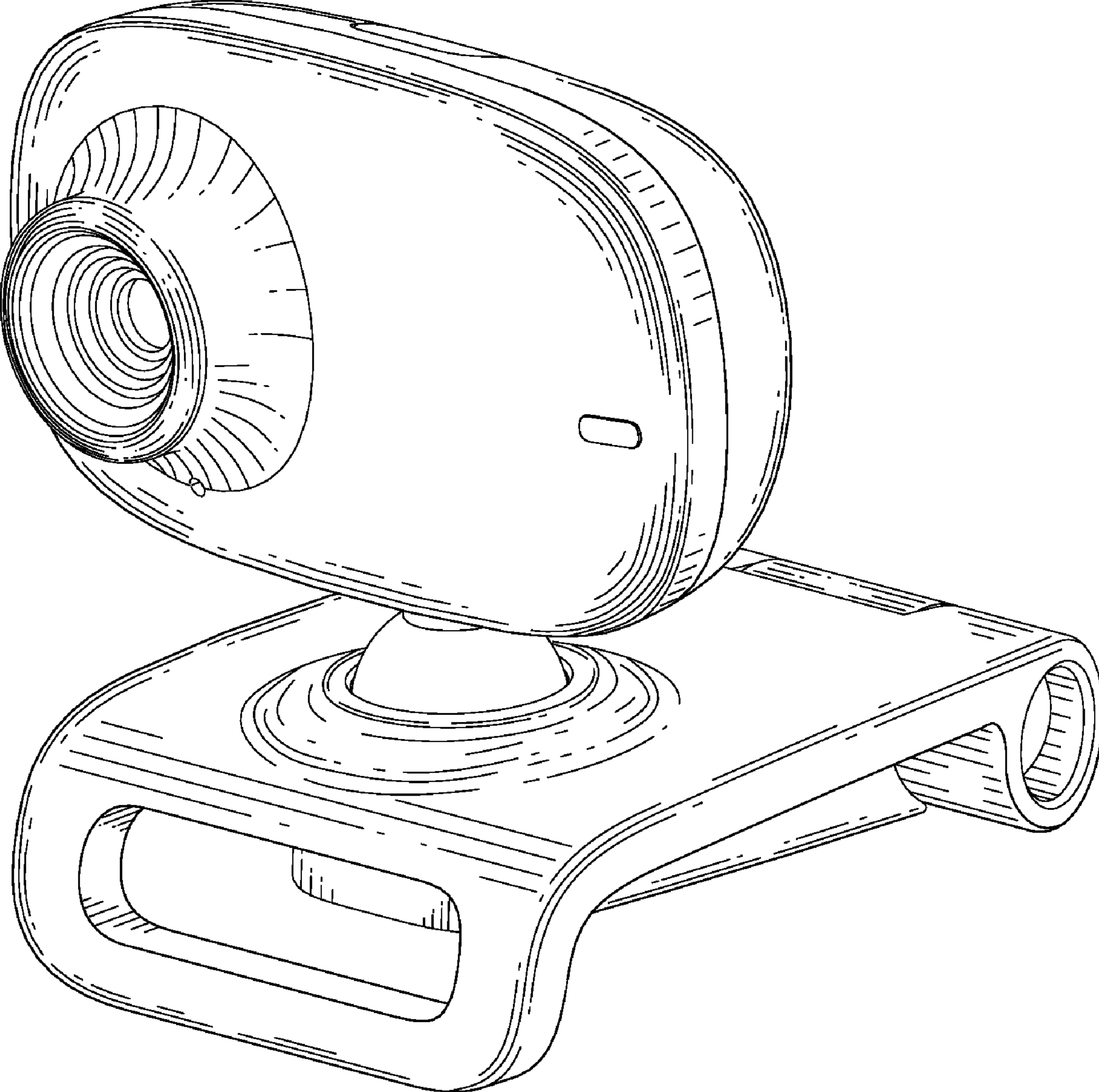


FIG. 1

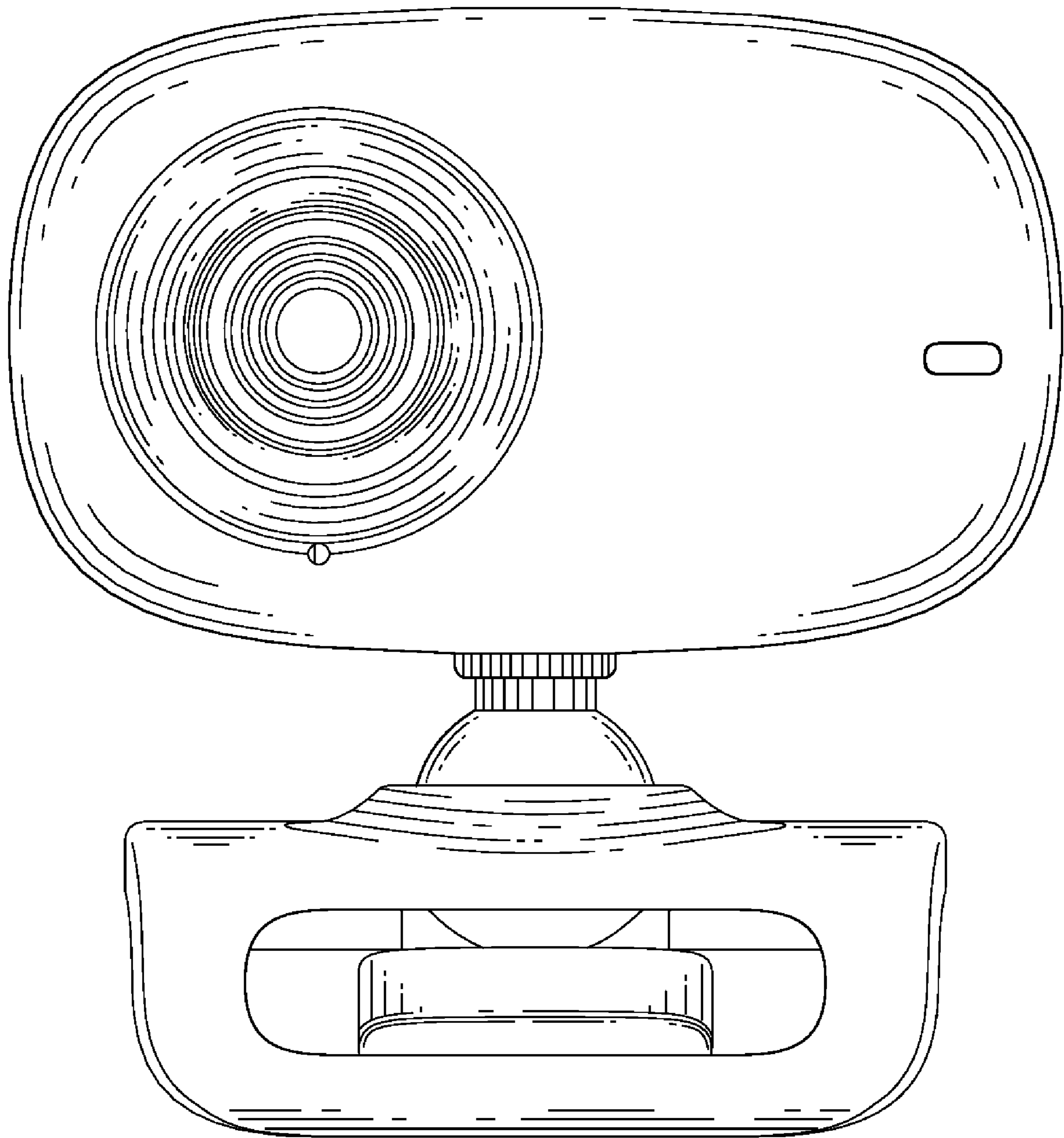


FIG. 2

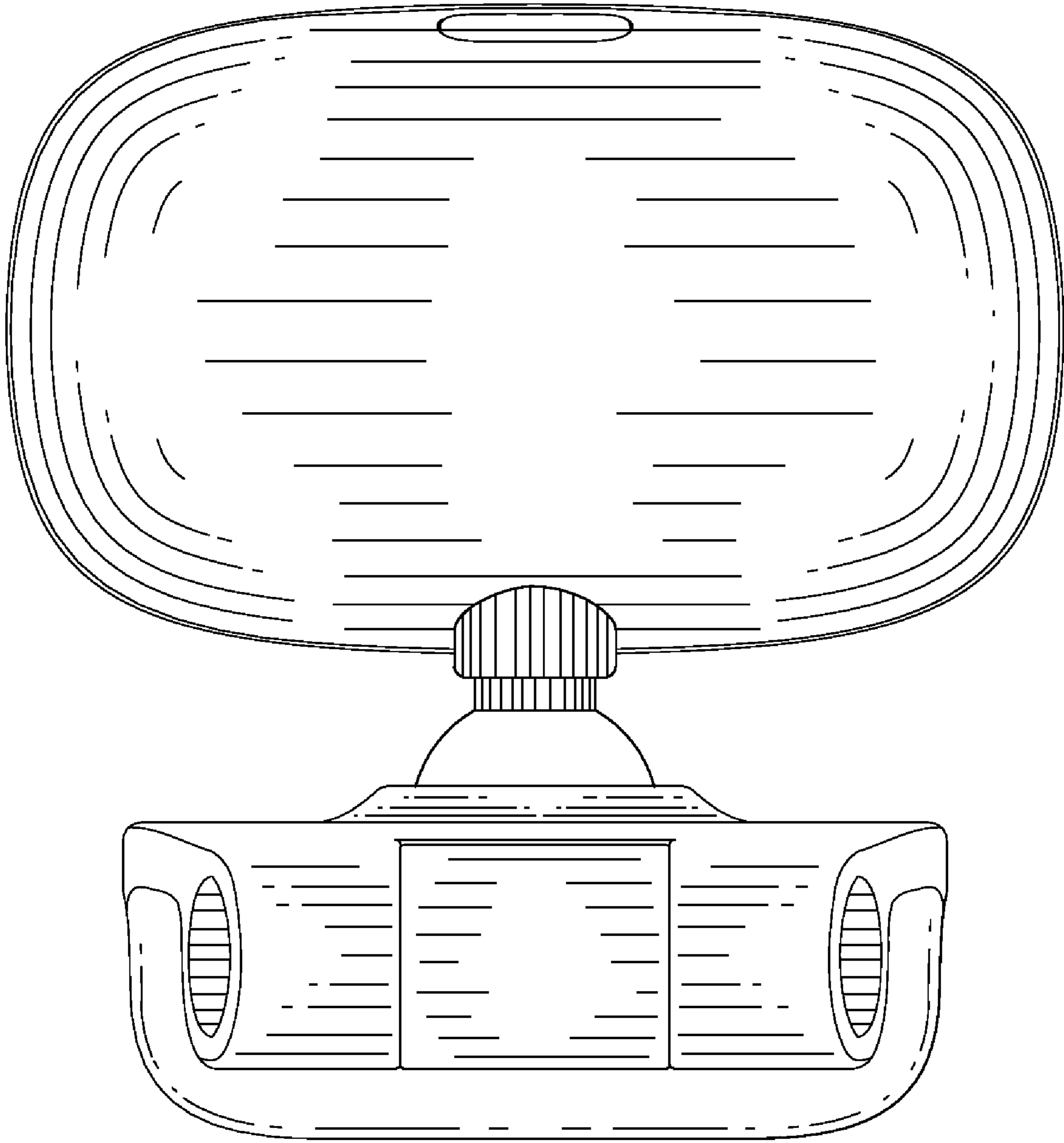


FIG. 3

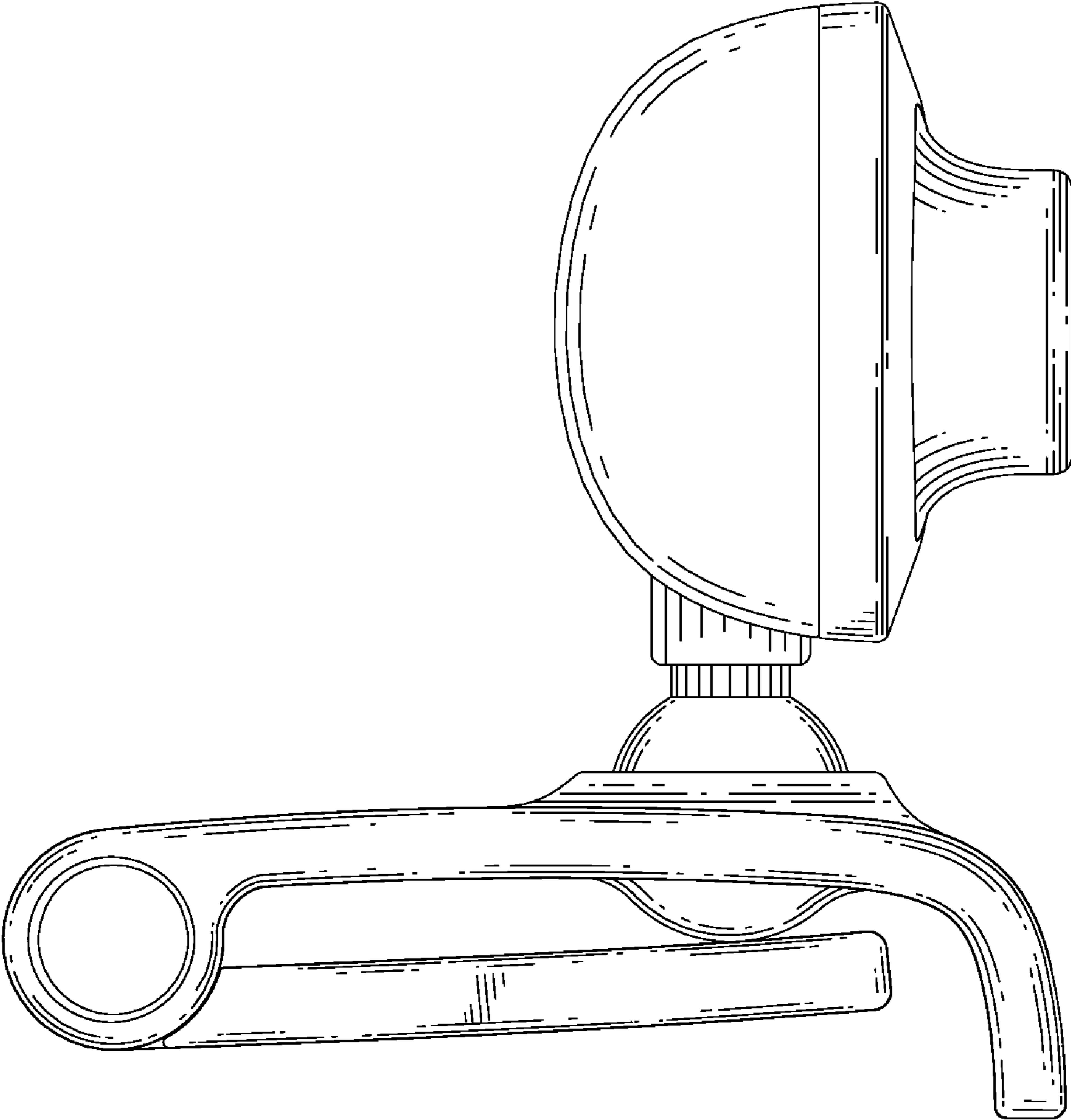


FIG. 4

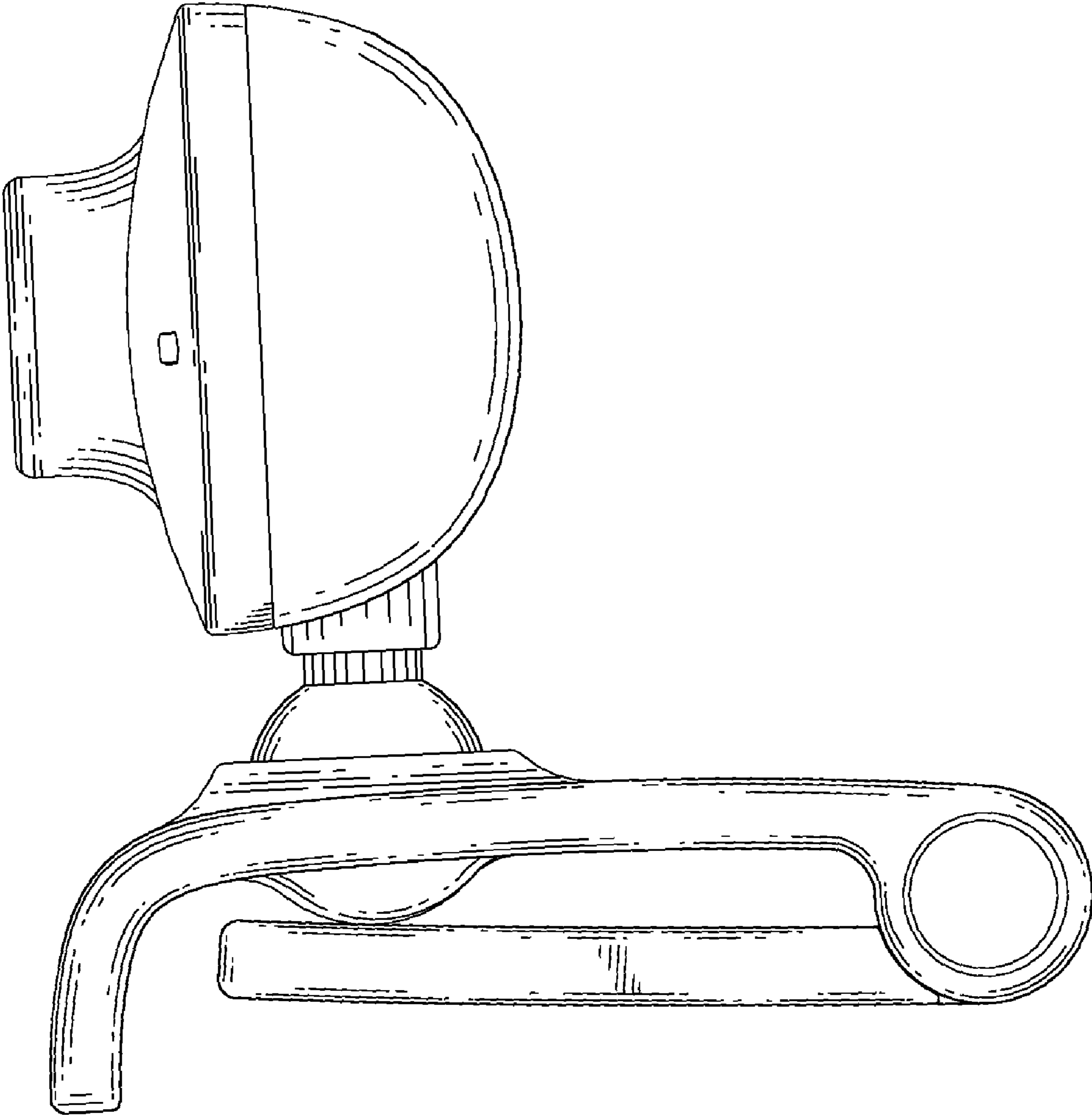


FIG. 5

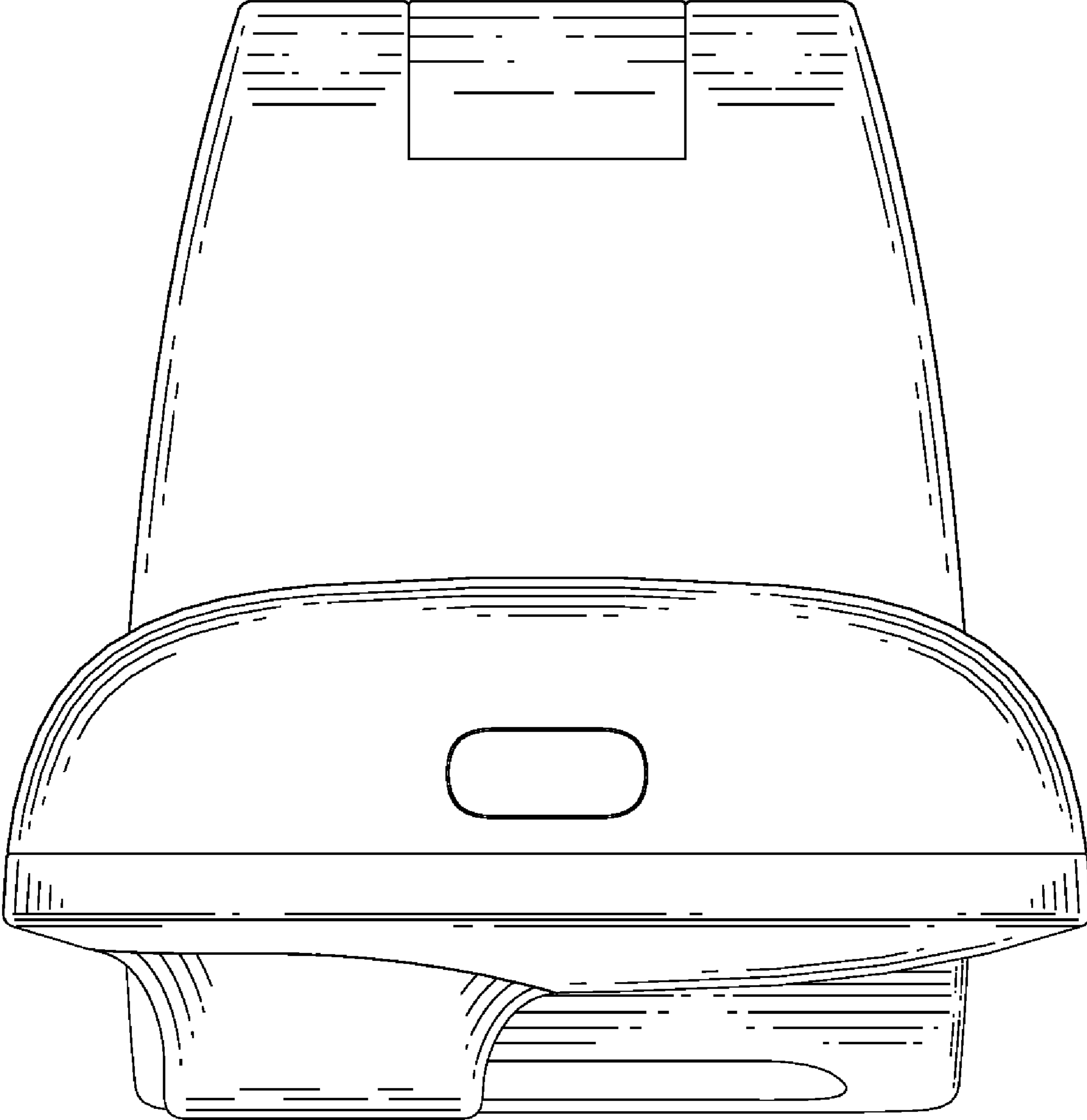


FIG. 6

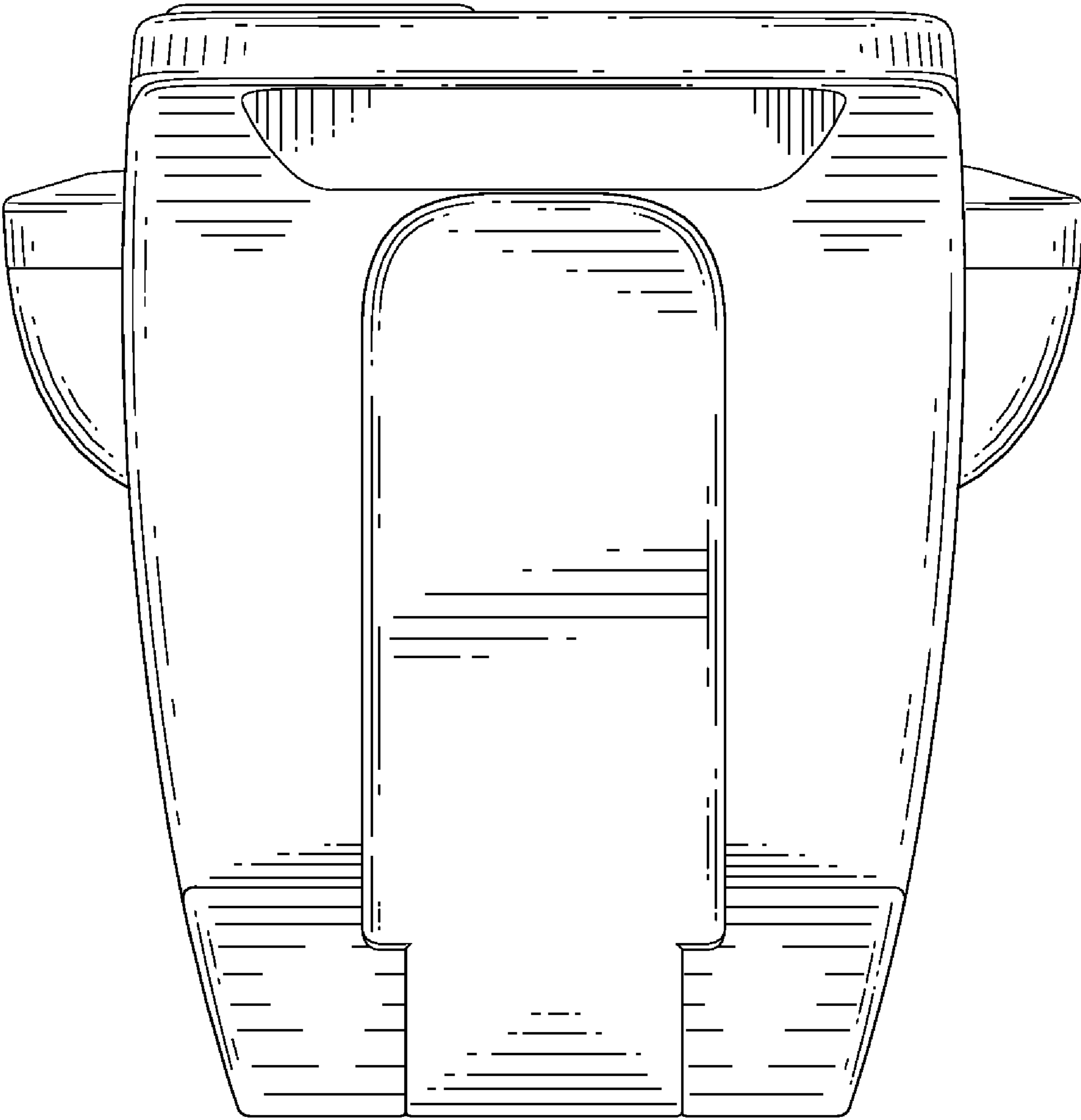


FIG. 7

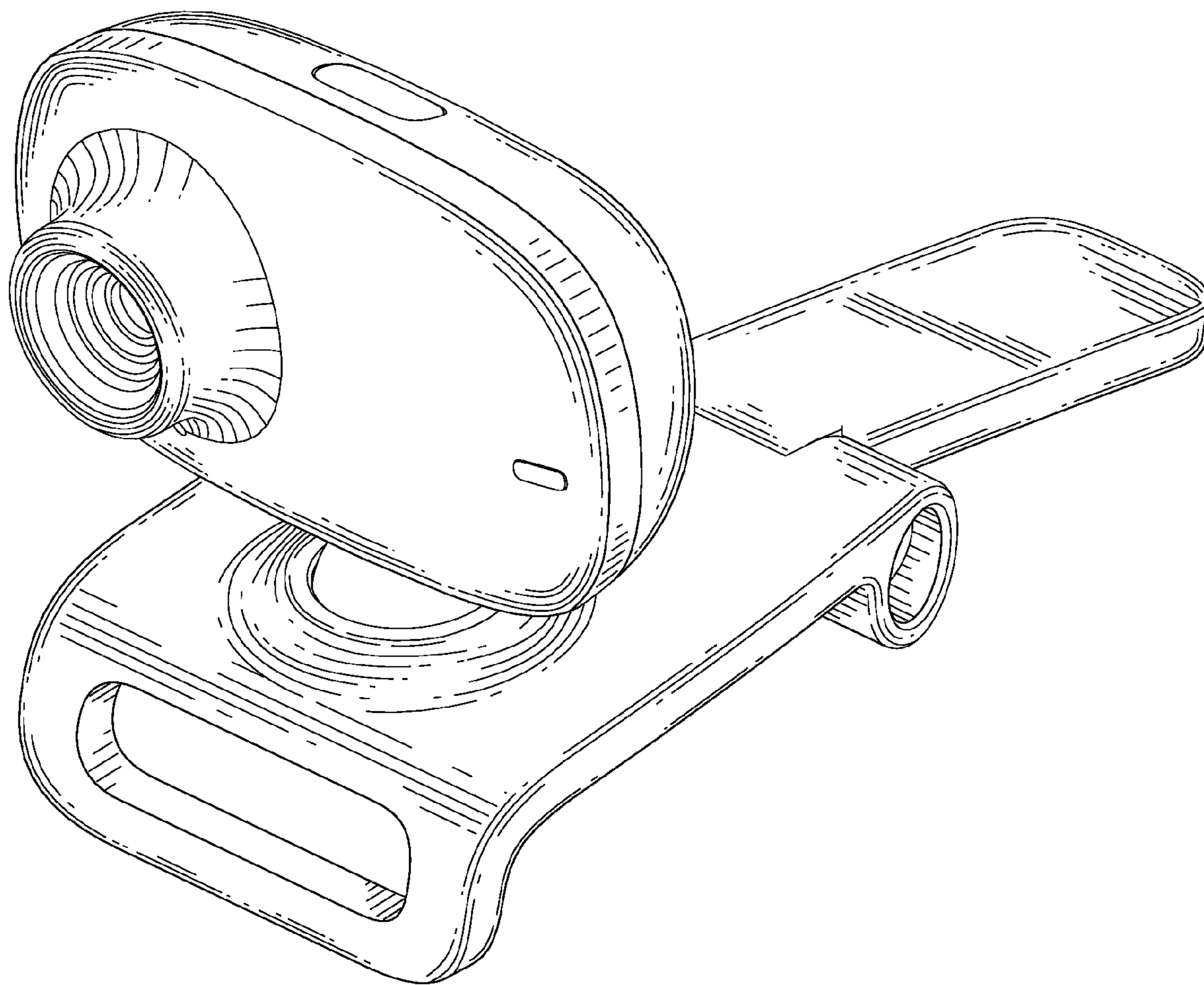


FIG. 8