



US00D627812S

(12) **United States Design Patent**
Oikawa et al.

(10) **Patent No.:** **US D627,812 S**

(45) **Date of Patent:** **** Nov. 23, 2010**

(54) **PORTABLE DIGITAL CAMERA WITH TOUCH SENSITIVE SKETCH SCREEN**

(75) Inventors: **Yuji Oikawa**, Marina Del Ray, CA (US);
Isamu Arie, Santa Monica, CA (US);
Hiroya Fujii, Los Angeles, CA (US)

(73) Assignees: **Sony Corporation**, Tokyo (JP); **Sony Electronics Inc.**, Park Ridge, NJ (US)

(**) Term: **14 Years**

(21) Appl. No.: **29/341,759**

(22) Filed: **Aug. 12, 2009**

(51) **LOC (9) Cl.** **16-01**

(52) **U.S. Cl.** **D16/202; D16/218**

(58) **Field of Classification Search** D16/200,
D16/201, 204, 208, 218; 358/909.1; 396/535-541
See application file for complete search history.

(56) **References Cited**

U.S. PATENT DOCUMENTS

D383,766 S *	9/1997	Yamauchi et al.	D16/202
D552,647 S *	10/2007	Bai	D16/202
D555,687 S *	11/2007	Yoo et al.	D16/218
D556,229 S *	11/2007	Bai	D16/218
D596,214 S *	7/2009	Kim et al.	D16/202

* cited by examiner

Primary Examiner—Adir Aronovich
(74) *Attorney, Agent, or Firm*—John L. Rogitz

(57) **CLAIM**

The ornamental design for the portable digital camera with touch sensitive sketch screen, as shown and described.

DESCRIPTION

FIG. 1 is a bottom and rear perspective view of the portable digital camera with touch sensitive sketch screen showing our new design;

FIG. 2 is a top and rear perspective view thereof;

FIG. 3 is a top and front perspective view thereof;

FIG. 4 is rear elevational view thereof; showing a user's hand using the camera button;

FIG. 5 is rear elevational view thereof showing a user's hand using the stylus;

FIG. 6 is a bottom edge elevational view thereof;

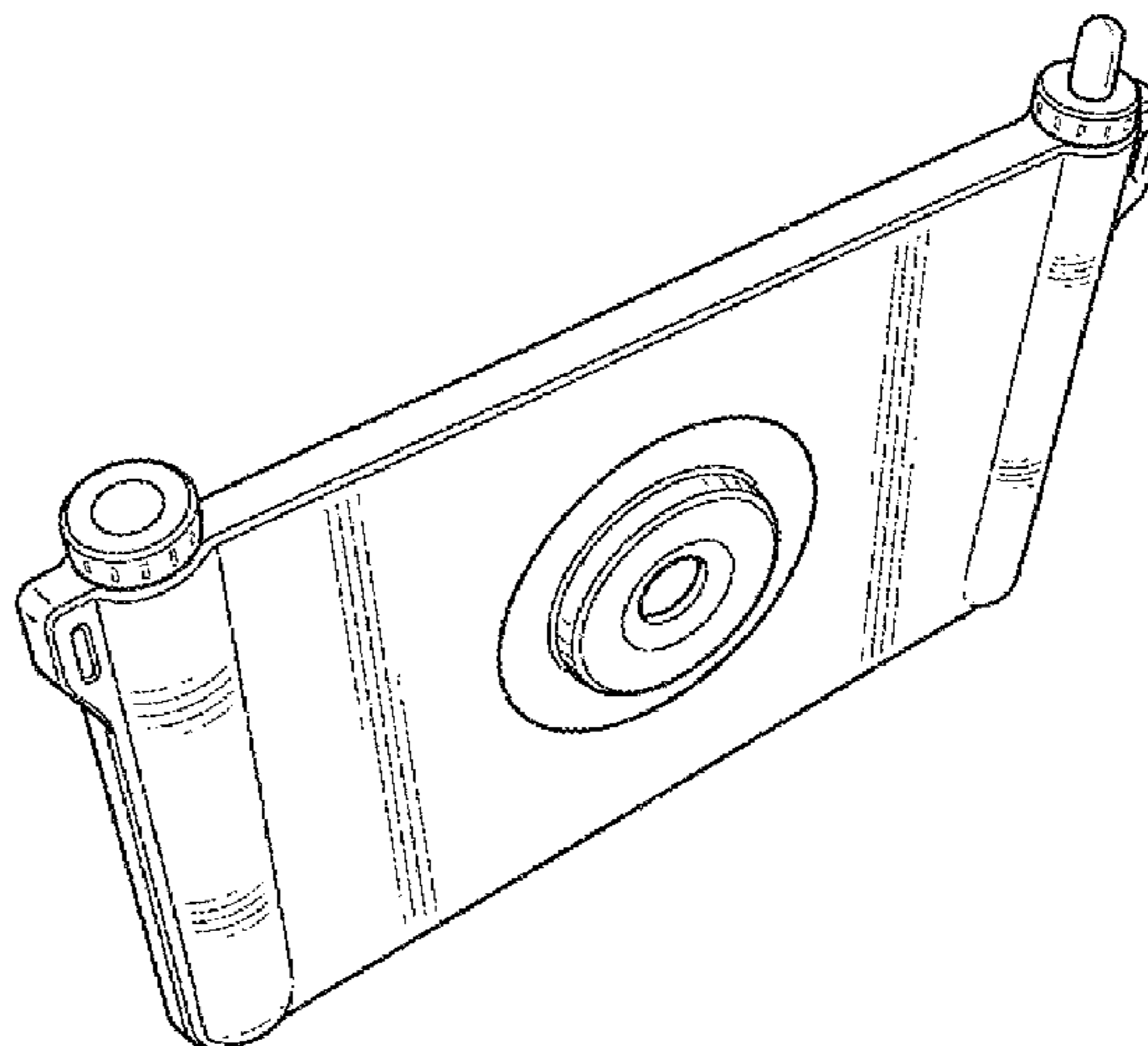
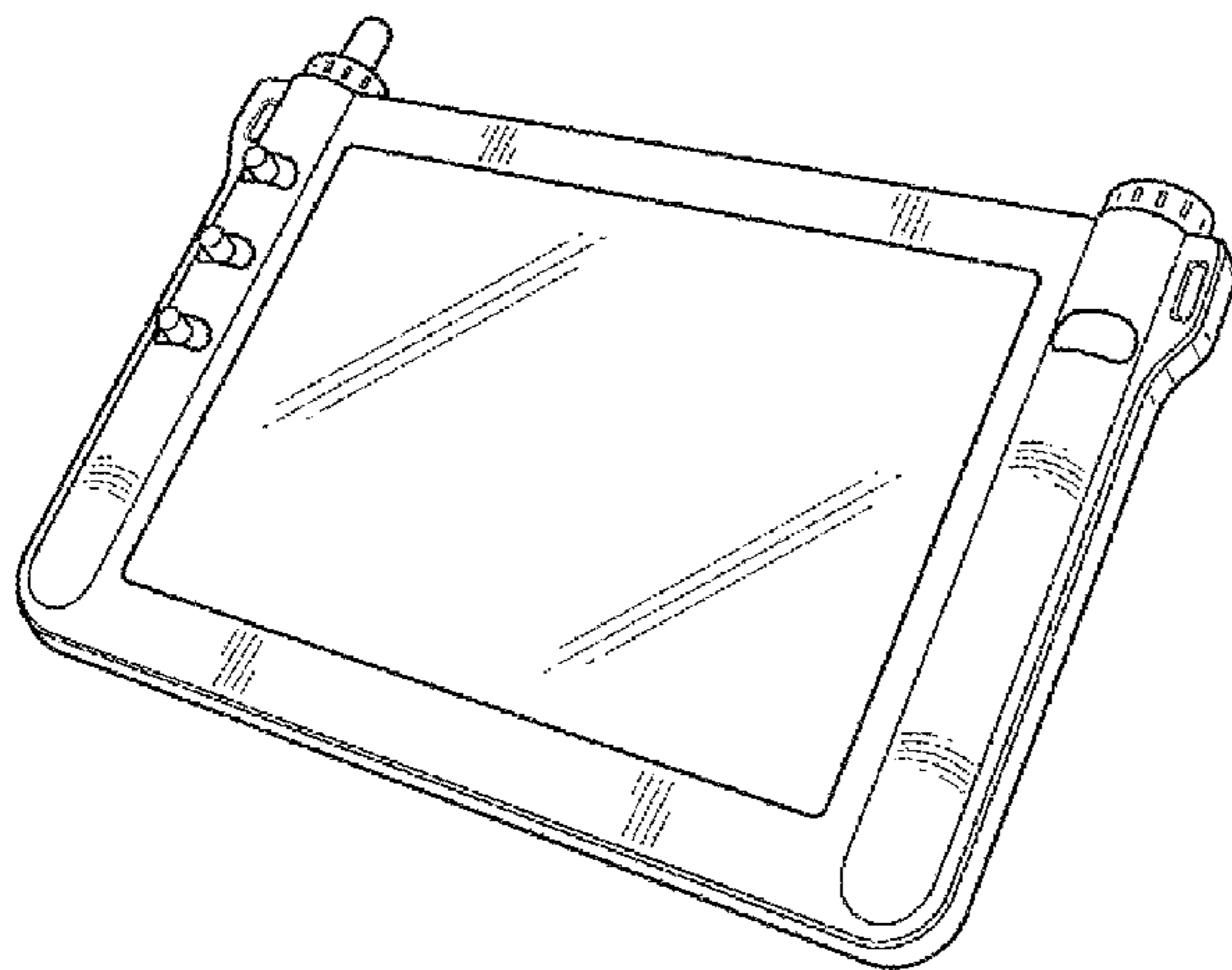
FIG. 7 is a left side elevational view thereof;

FIG. 8 is a right side elevational view thereof; and,

FIG. 9 is a top edge elevational view thereof.

A human hand and stylus illustrated in broken lines are shown to illustrate environment only and form no part of the claimed design.

1 Claim, 4 Drawing Sheets



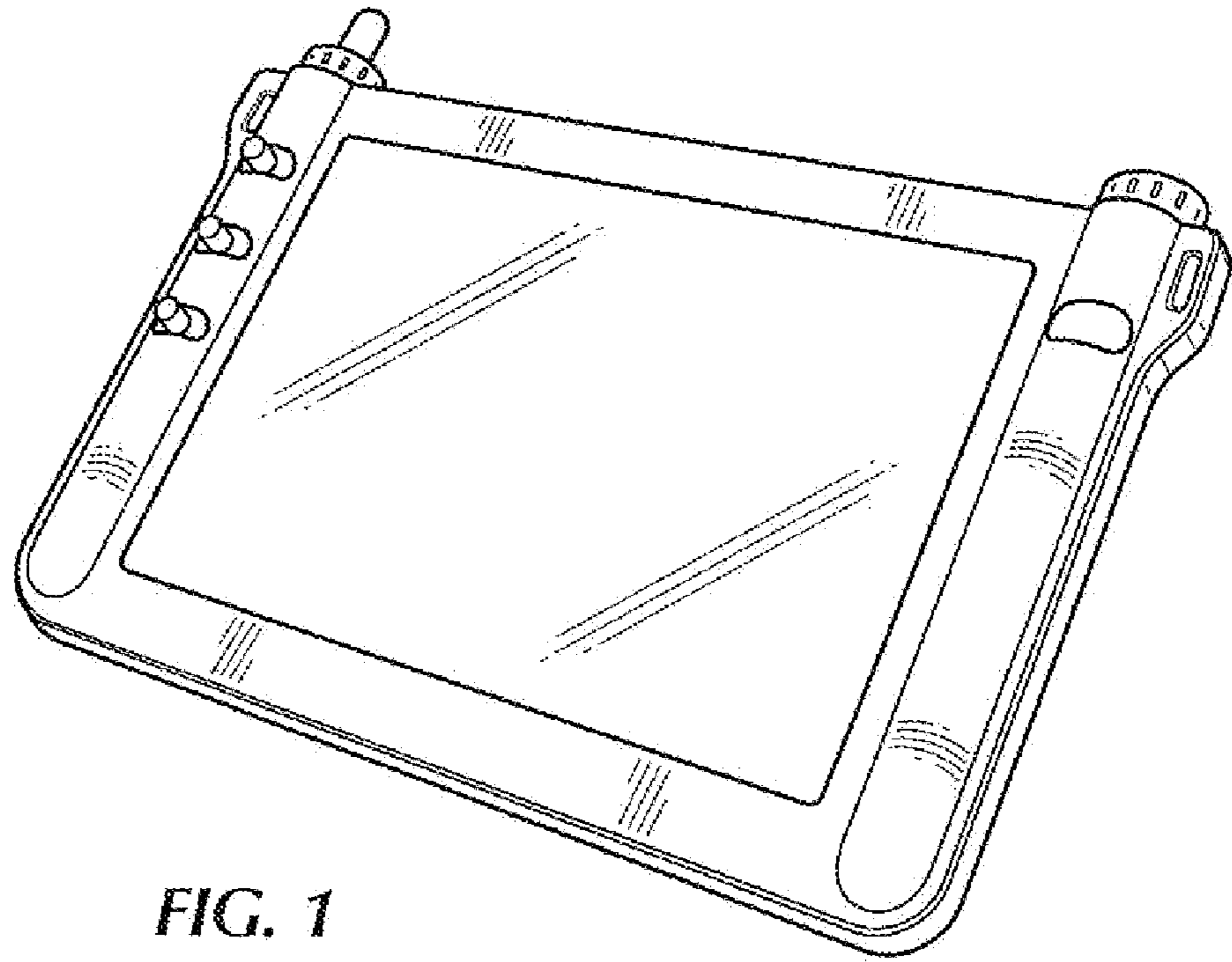


FIG. 1

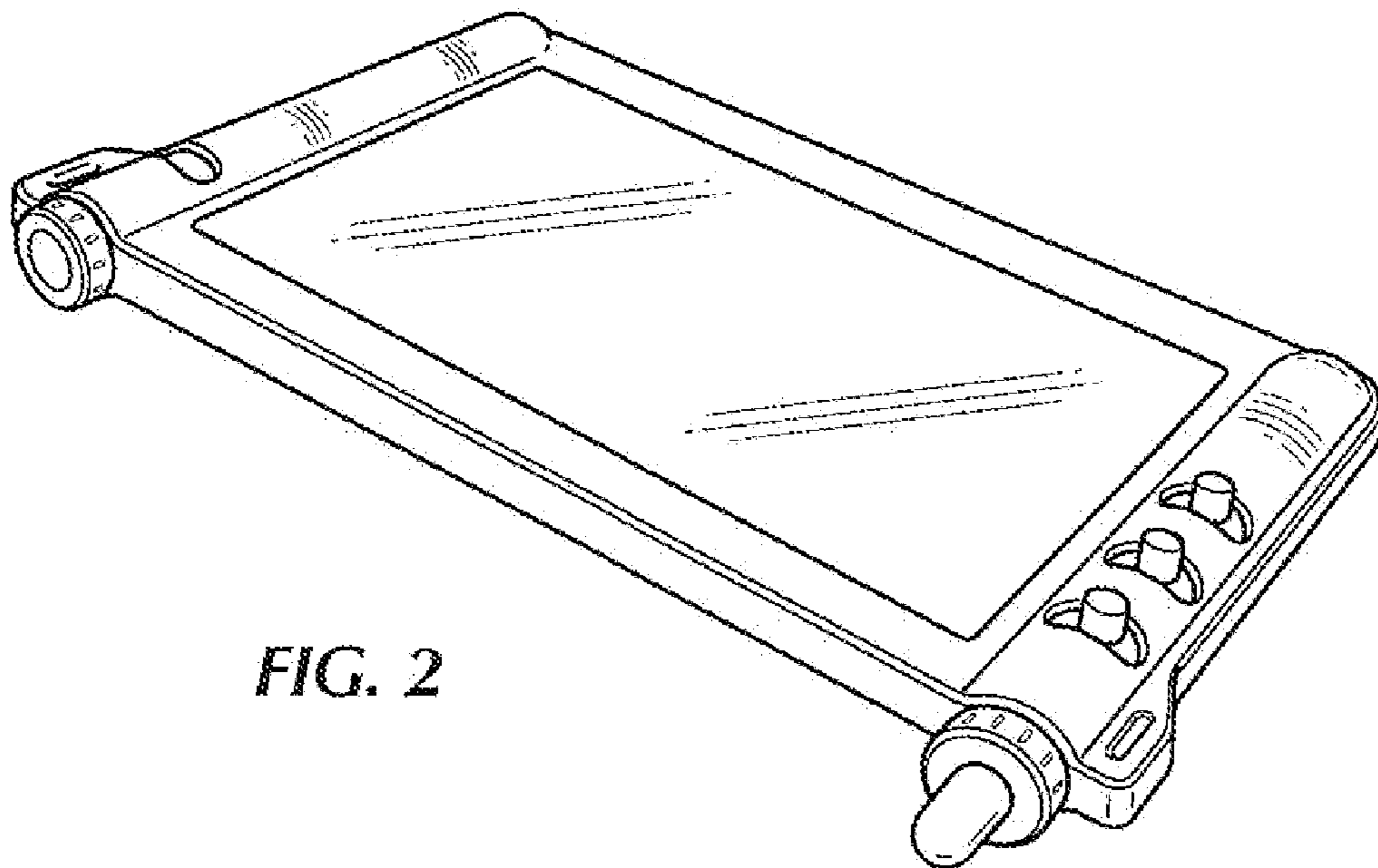


FIG. 2

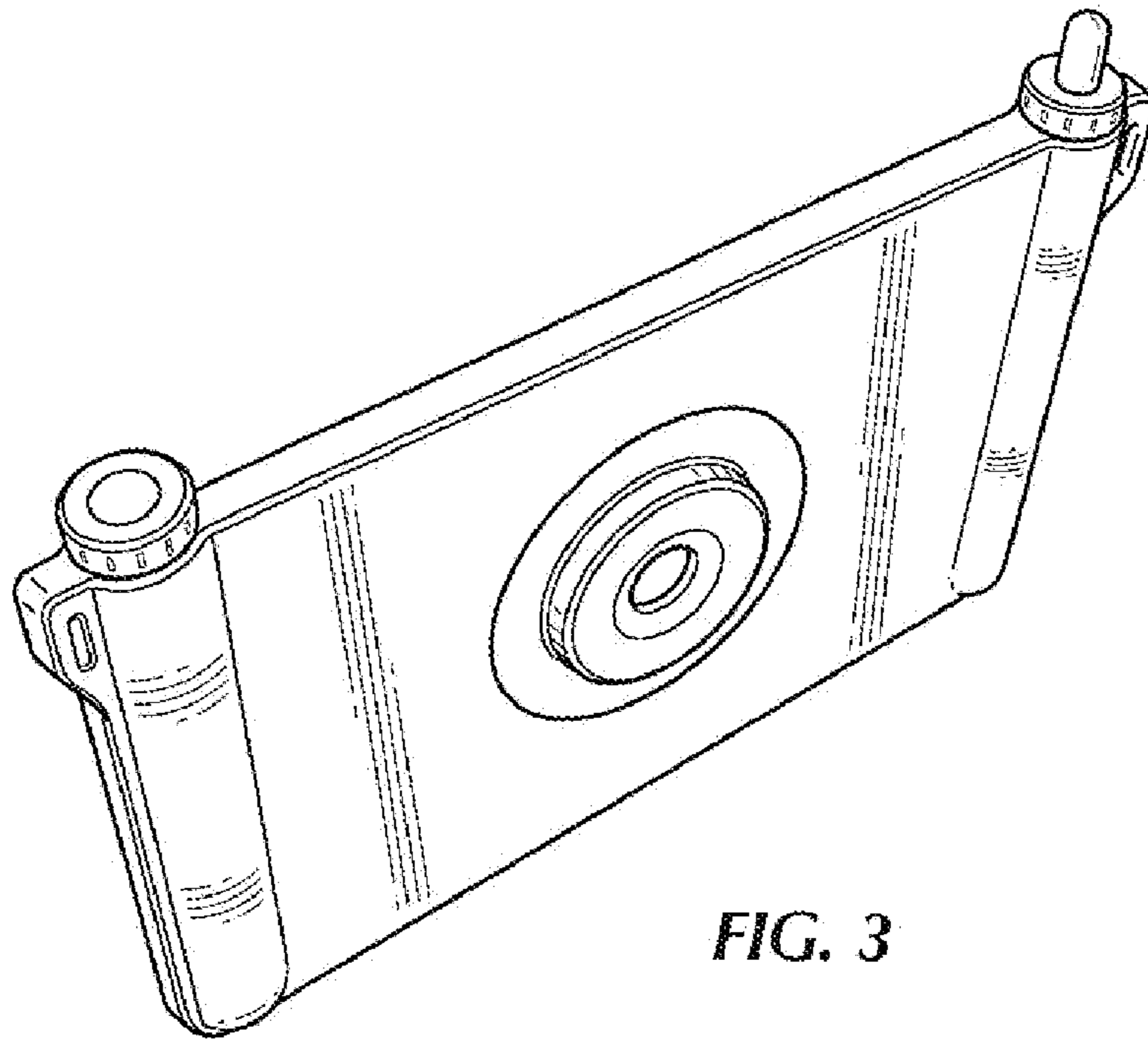


FIG. 3

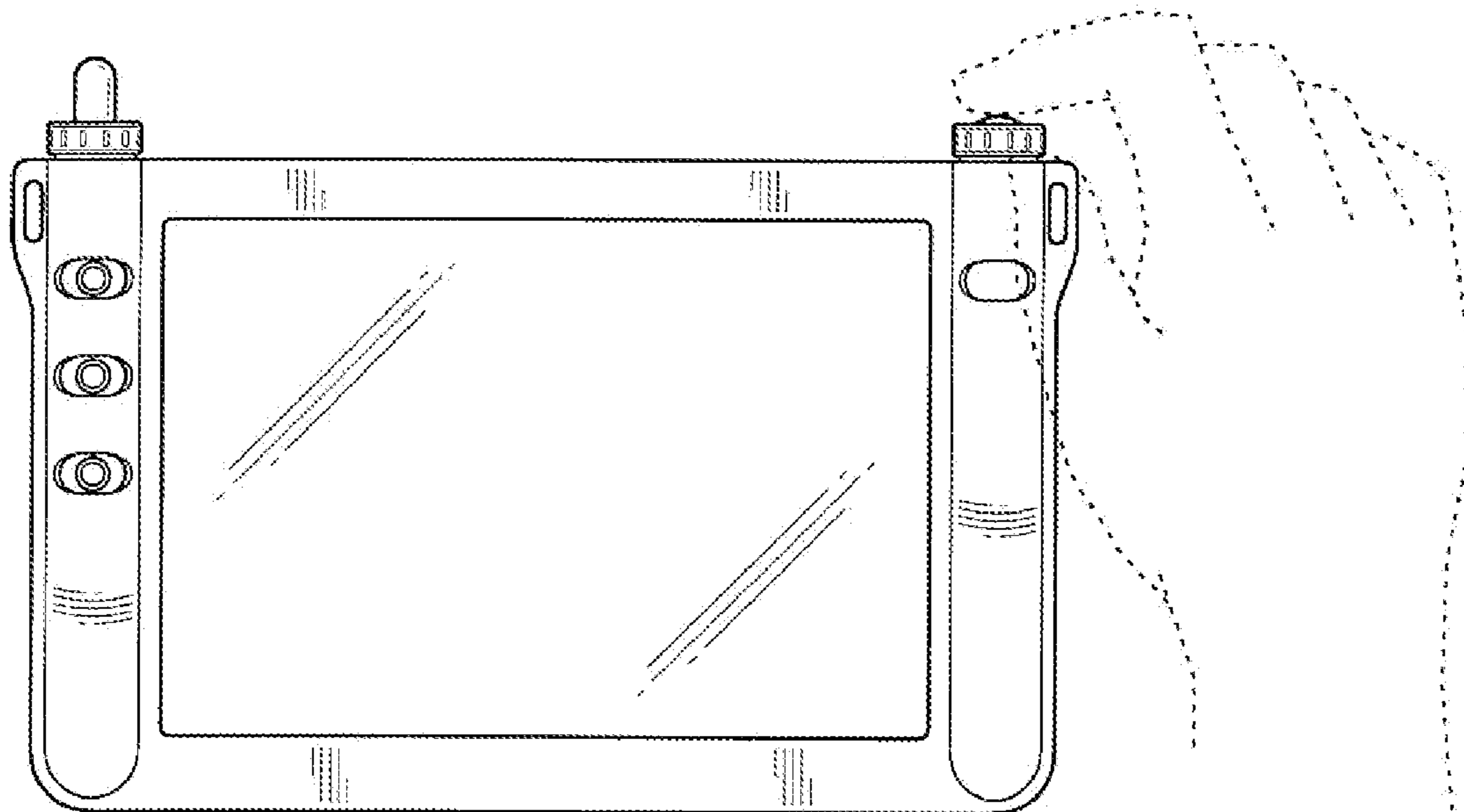


FIG. 4

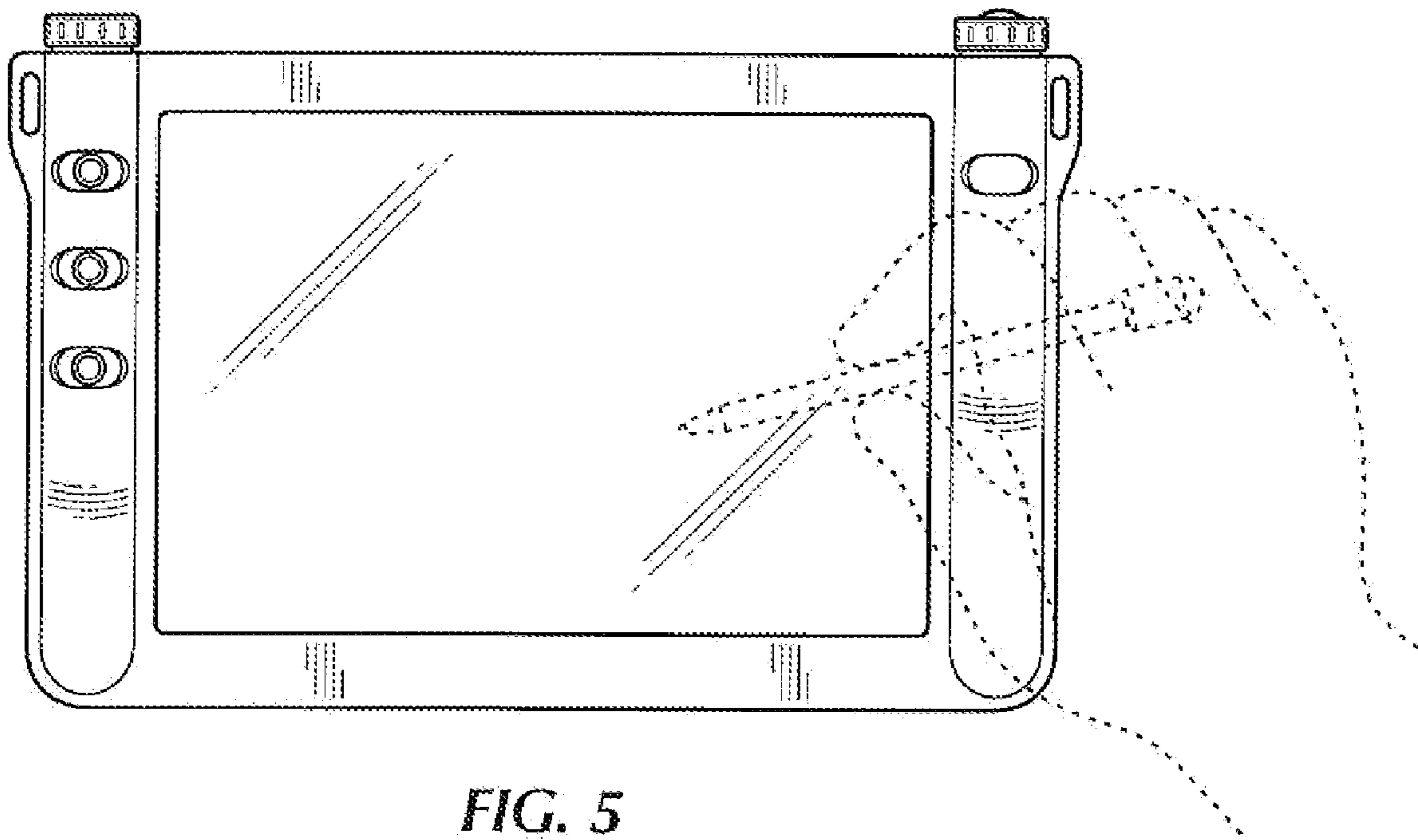


FIG. 5

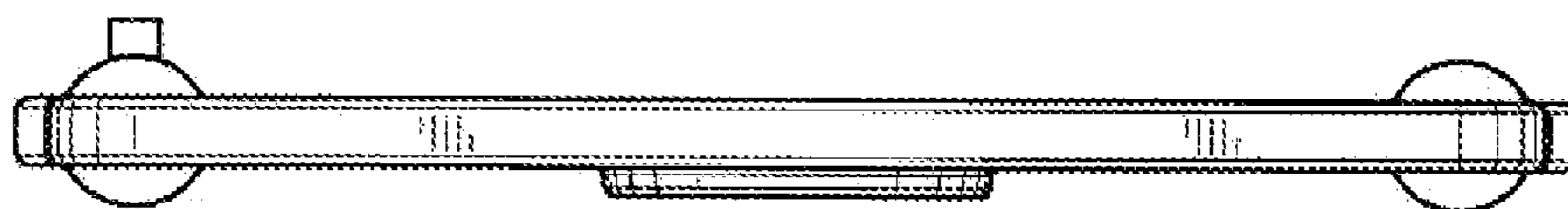


FIG. 6

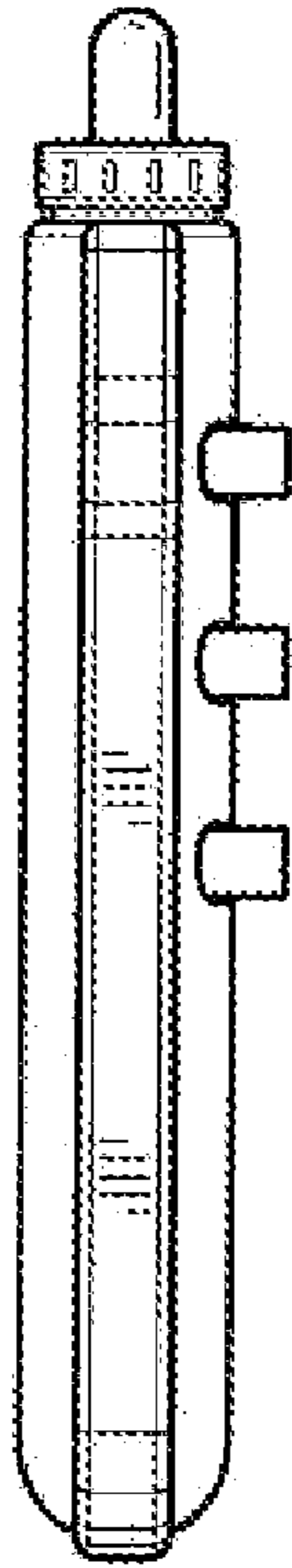


FIG. 7

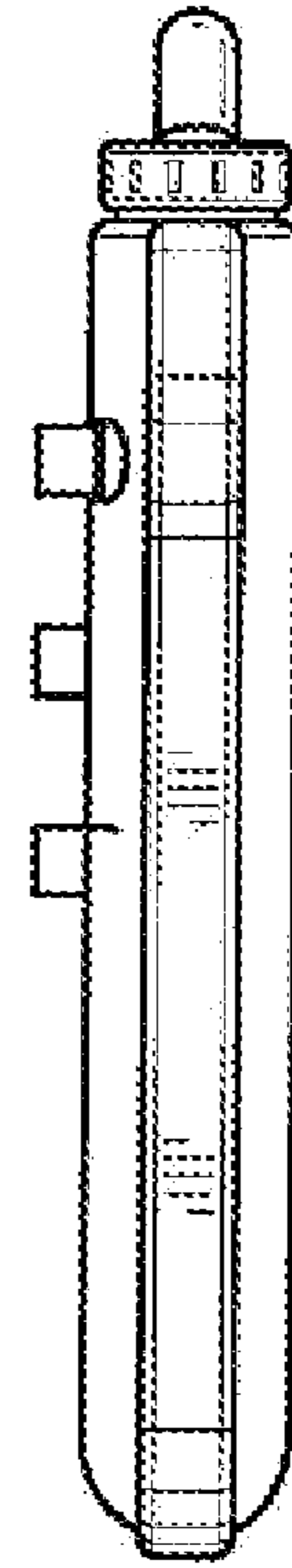


FIG. 8

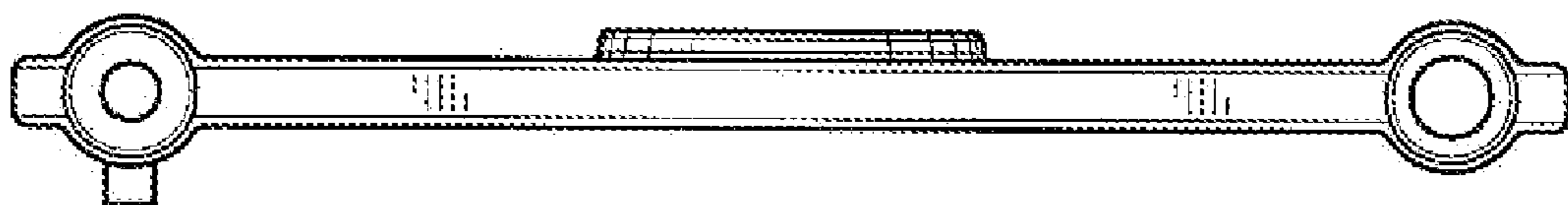


FIG. 9