



US00D627811S

(12) **United States Design Patent**
Andresen et al.

(10) **Patent No.:** **US D627,811 S**

(45) **Date of Patent:** **** Nov. 23, 2010**

(54) **CAMERA**

(75) Inventors: **Simen Andresen**, Eiksmarka (NO);
Anne Lise Oiesvold, Lysaker (NO);
Glenn Robert Aarrestad, Oslo (NO);
Thomas Noreng, Arhus C (DK);
Carsten Eriksen, Abyhoj (DK); **Fabio**
Andres Reyes Florez, Arhus C (DK)

(73) Assignee: **Tandberg Telecom AS**, Lysaker (NO)

(**) Term: **14 Years**

(21) Appl. No.: **29/329,644**

(22) Filed: **Dec. 18, 2008**

(30) **Foreign Application Priority Data**

Sep. 25, 2008 (NO) 20080520

(51) **LOC (9) Cl.** **16-01**

(52) **U.S. Cl.** **D16/202**

(58) **Field of Classification Search** D16/200,
D16/202-205, 208, 218, 242; 348/143, 373-376;
358/906; 396/419, 427, 428, 535
See application file for complete search history.

(56) **References Cited**

U.S. PATENT DOCUMENTS

D203,899 S * 2/1966 Yanagisawa D16/218
D400,549 S * 11/1998 Wakefield D16/202
D446,535 S * 8/2001 Chang D16/203
6,437,826 B1 * 8/2002 Arnold 348/373
D497,925 S * 11/2004 Zhang et al. D16/202
6,831,697 B1 * 12/2004 Chang 348/373

D510,374 S * 10/2005 Greenwood et al. D16/203
D536,719 S * 2/2007 Lukic et al. D16/202
D562,372 S * 2/2008 Takahashi D16/202
D571,839 S 6/2008 Andresen
D582,953 S * 12/2008 Chang D16/202
7,473,040 B2 * 1/2009 Kenoyer et al. 396/428
D586,836 S * 2/2009 Liow et al. D16/218
D589,996 S * 4/2009 Kellar et al. D16/203

OTHER PUBLICATIONS

U.S. Appl. No. 29/329,644, filed Dec. 18, 2008, Andresen, et al.

* cited by examiner

Primary Examiner—Adir Aronovich

(74) *Attorney, Agent, or Firm*—Oblon, Spivak, McClelland,
Maier & Neustadt, L.L.P.

(57) **CLAIM**

The ornamental design for a camera, as shown and described.

DESCRIPTION

FIG. 1 is a front, top, left perspective view of a camera;

FIG. 2 is a front elevational view thereof;

FIG. 3 is a rear elevational view thereof;

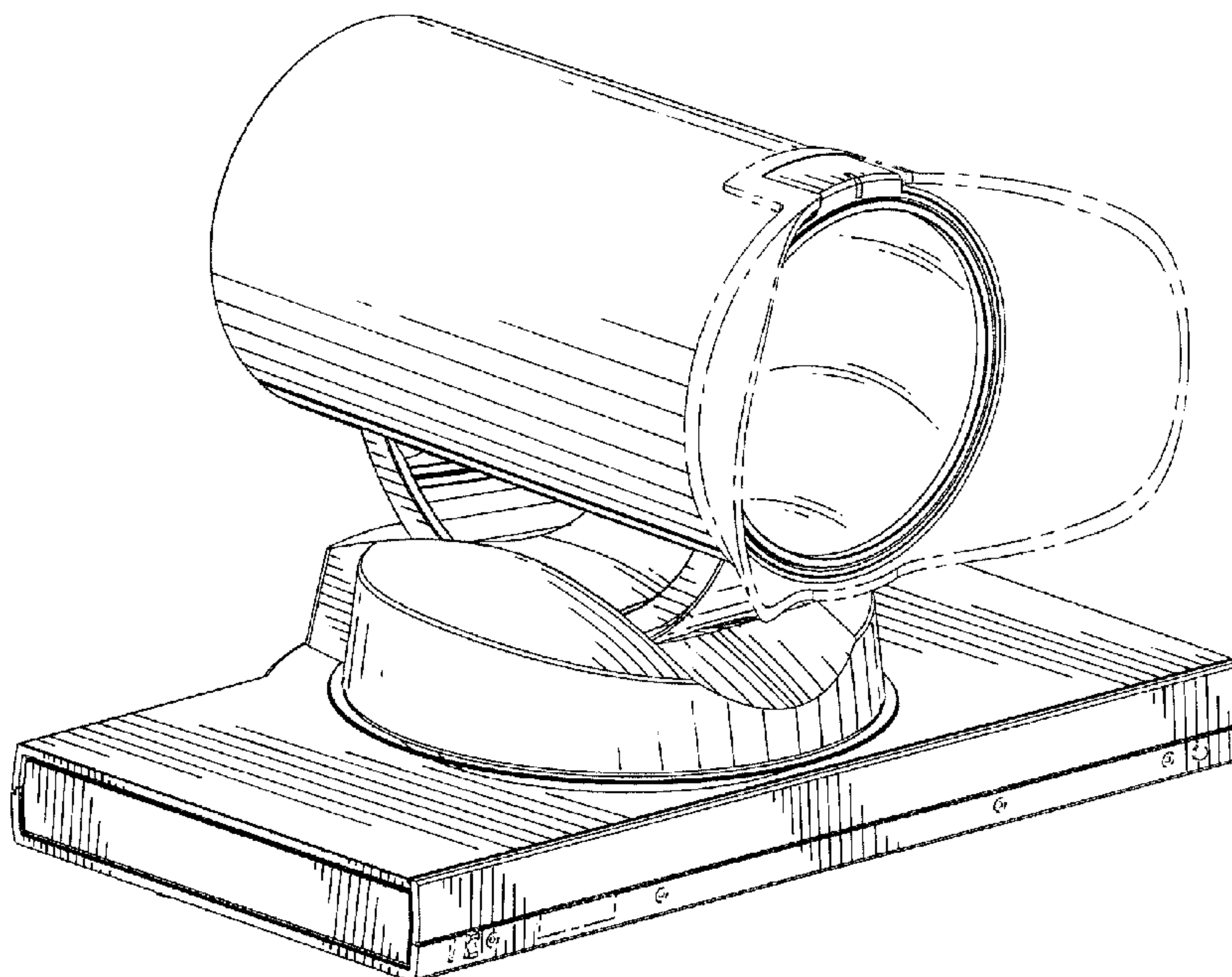
FIG. 4 is a bottom plan view thereof;

FIG. 5 is a top plan view thereof; and,

FIG. 6 is a left side elevational view thereof, the right side
elevational view being a mirror image of the elevational view
shown.

The broken lines in the drawings depict environmental sub-
ject matter only and form no part of the claimed design.

1 Claim, 6 Drawing Sheets



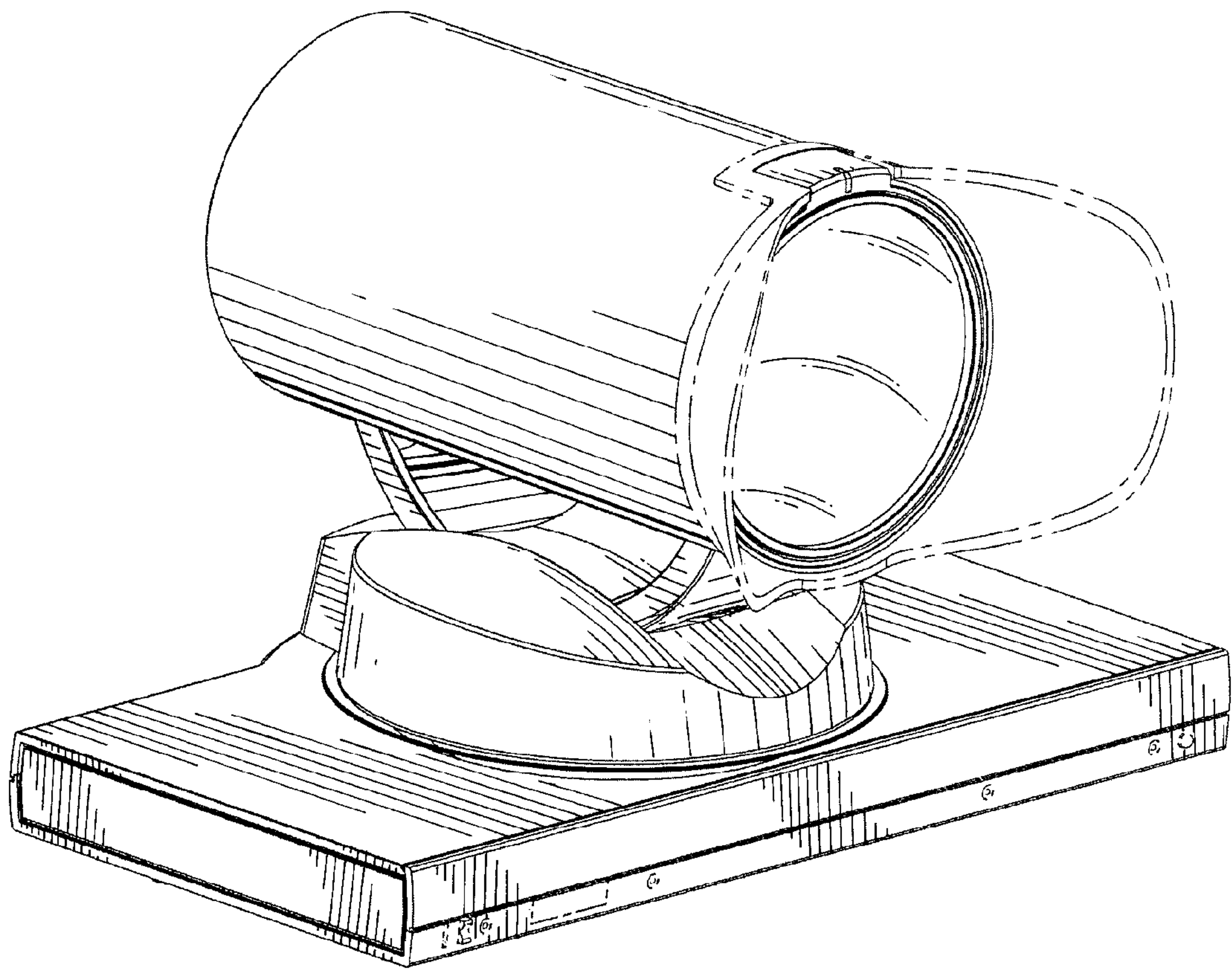


Fig. 1

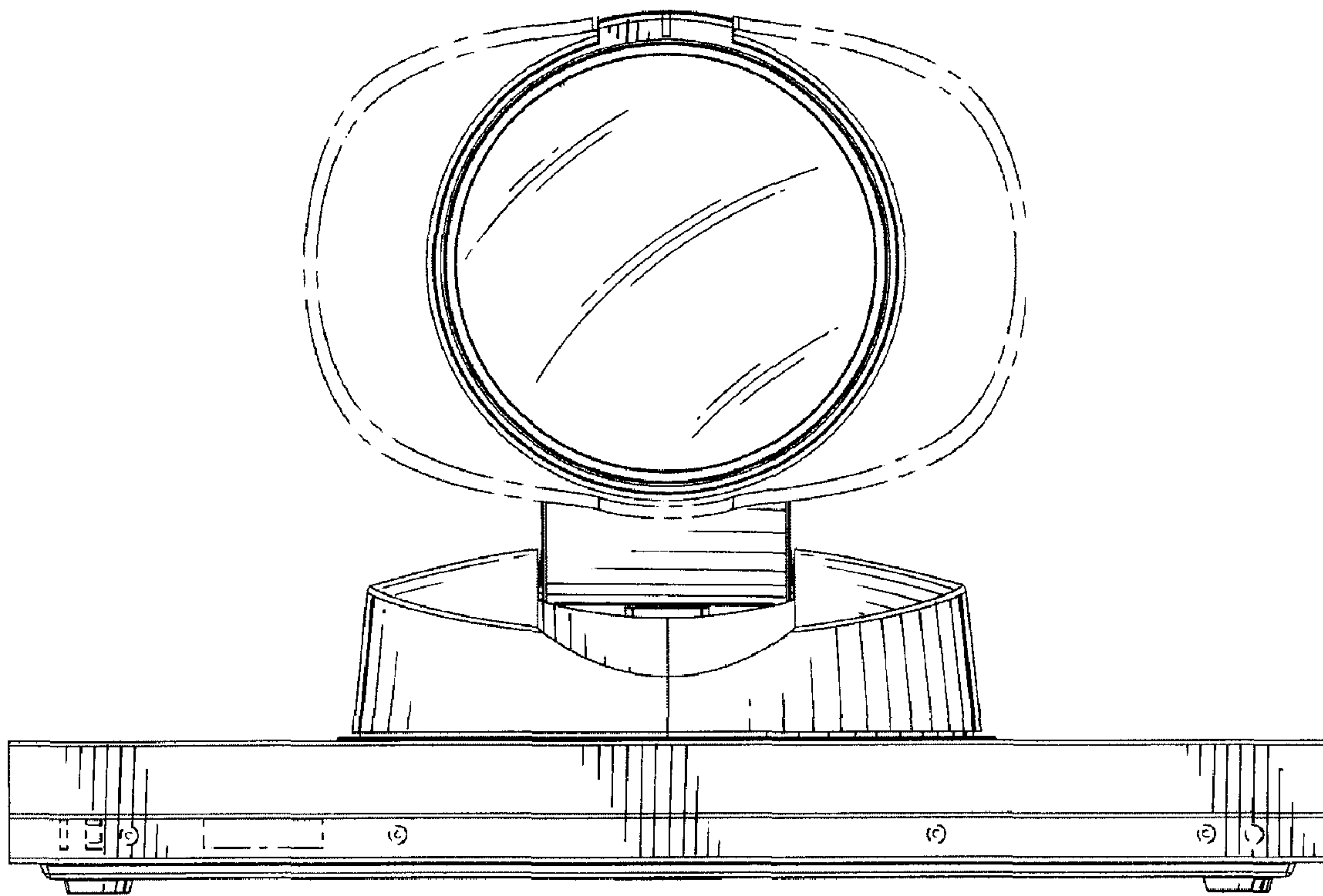


Fig. 2

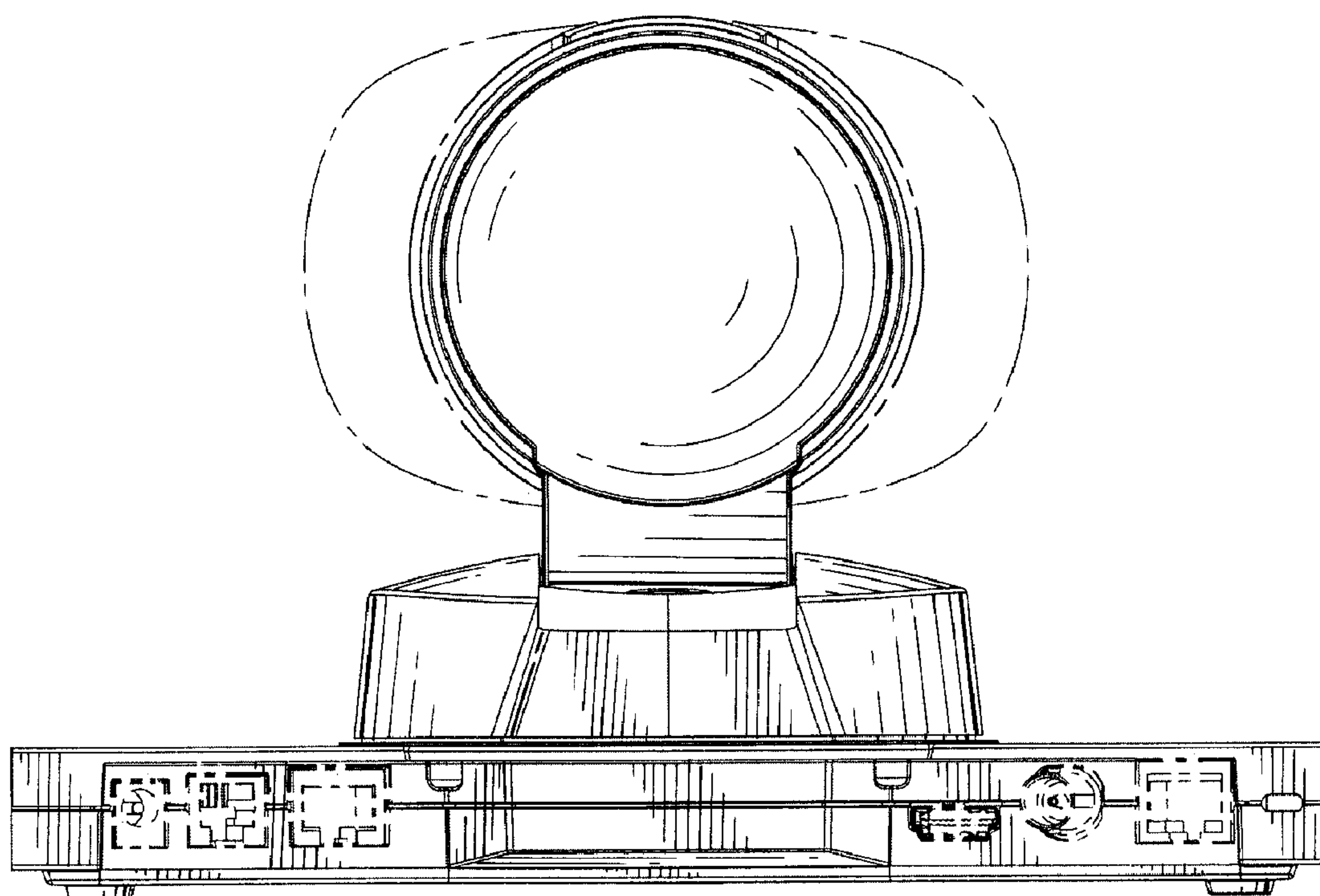


Fig. 3

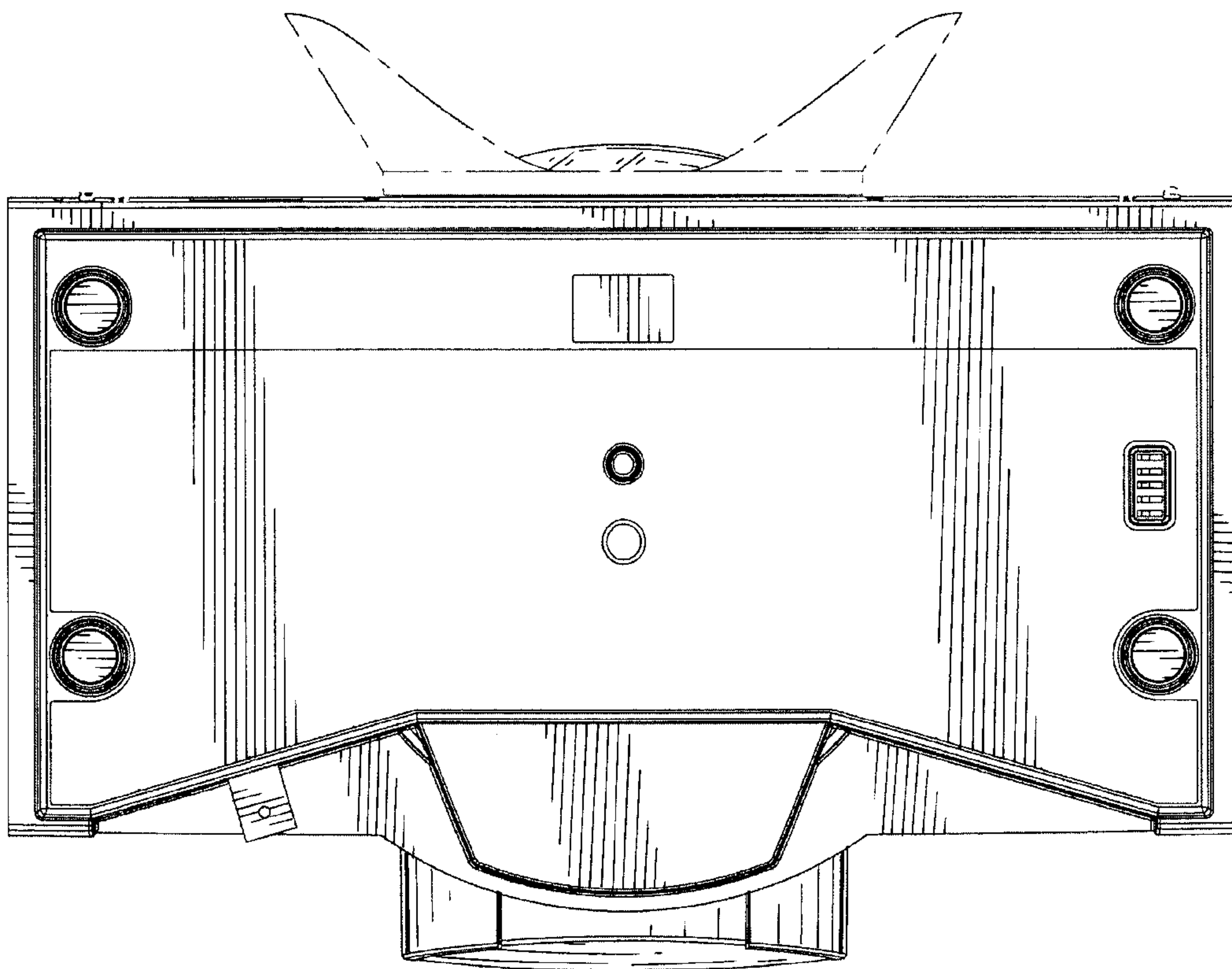


Fig. 4

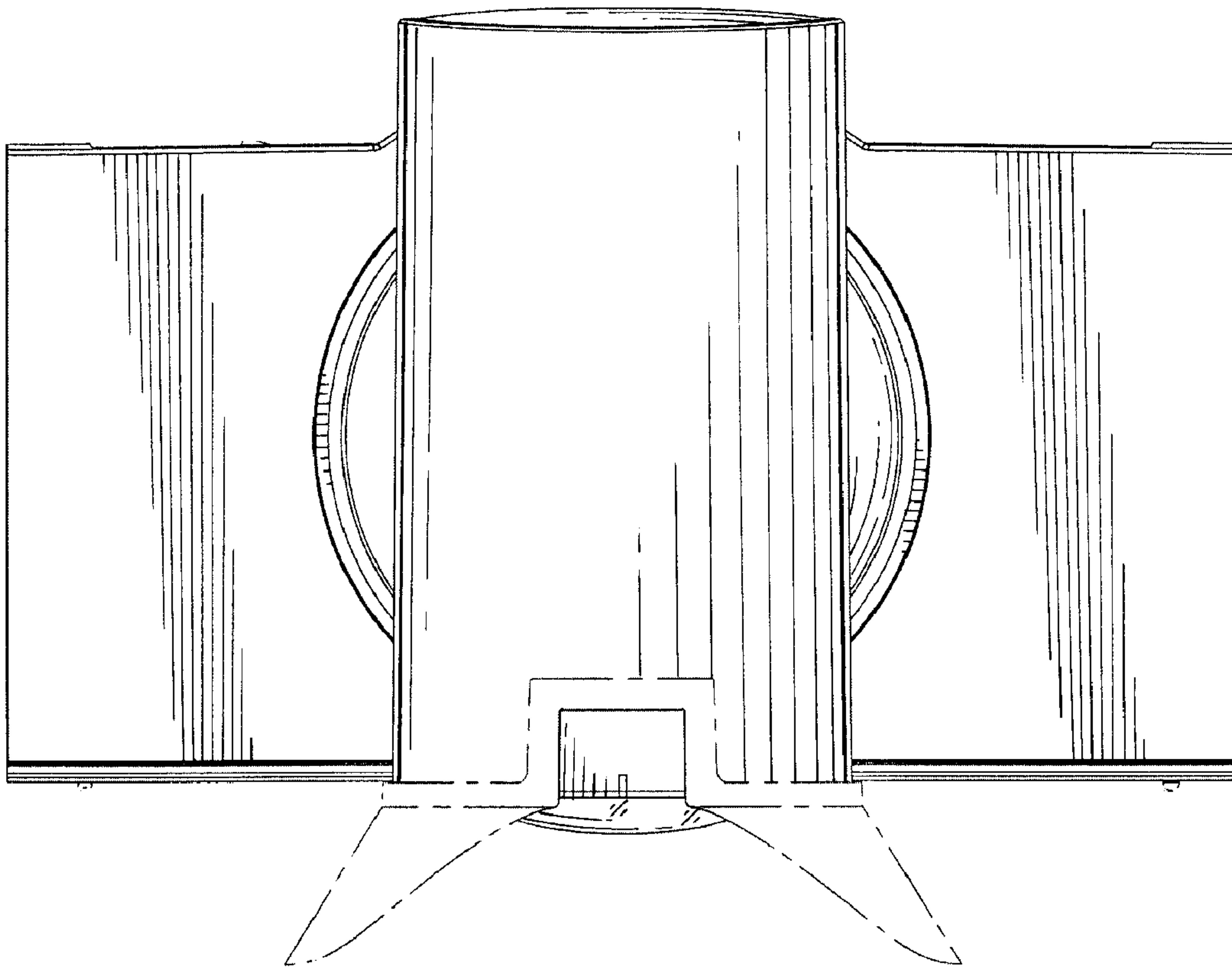


Fig. 5

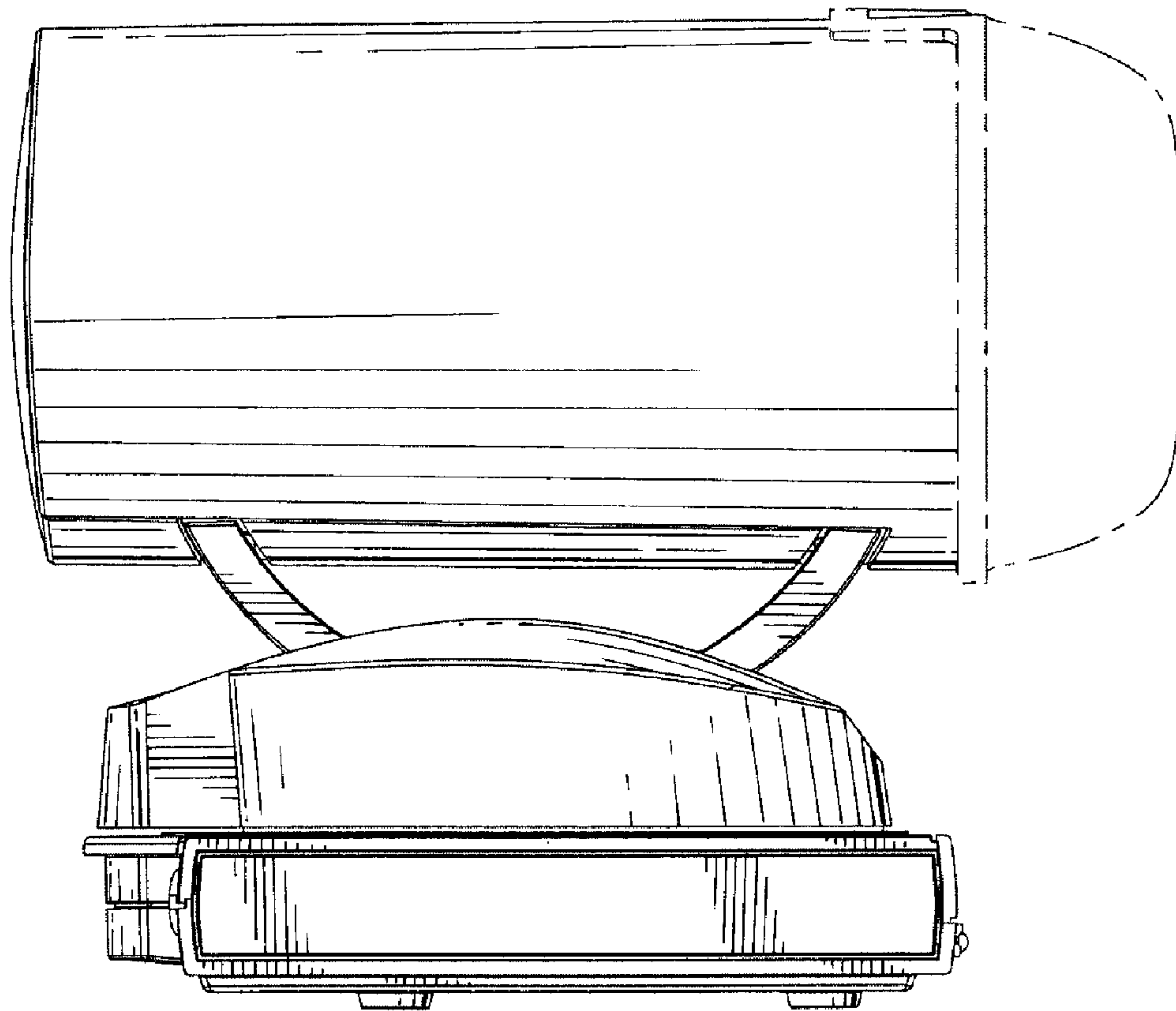


Fig. 6