



US00D627804S

(12) **United States Design Patent**  
**Fader et al.**

(10) **Patent No.:** **US D627,804 S**  
(45) **Date of Patent:** **\*\* Nov. 23, 2010**

(54) **CUTTING TOOL WITH A CEMENTED TUNGSTEN CARBIDE INSERT AND RING**

(75) Inventors: **Joseph Fader**, Abingdon, VA (US);  
**Kenneth Monyak**, Abingdon, VA (US);  
**Daniel Mouthaan**, Williamsburg, MI (US)

(73) Assignee: **Sandvik Intellectual Property AB**, Sandviken (SE)

6,758,530 B2	7/2004	Sollami	
6,764,140 B2 *	7/2004	Carson et al.	299/79.1
6,786,557 B2 *	9/2004	Montgomery, Jr.	299/104
6,824,225 B2 *	11/2004	Stiffler	299/104
7,195,321 B1 *	3/2007	Sollami	299/104
7,204,560 B2 *	4/2007	Mercier et al.	299/105
7,455,484 B2 *	11/2008	Bauschulte et al.	407/114
2002/0029910 A1 *	3/2002	Heinrich et al.	175/394
2002/0175555 A1 *	11/2002	Mercier	299/107
2003/0047985 A1 *	3/2003	Stiffler	299/102

(\*\*) Term: **14 Years**

(Continued)

(21) Appl. No.: **29/290,431**

FOREIGN PATENT DOCUMENTS

(22) Filed: **Dec. 5, 2007**

DE 24 42 146 3/1976

(51) **LOC (9) Cl.** ..... **15-09**

(Continued)

(52) **U.S. Cl.** ..... **D15/139**

(58) **Field of Classification Search** ..... D15/131,  
D15/138, 139, 140; 299/10, 104, 105, 106,  
299/107, 111, 113, 126; D9/453, 437; D23/213  
See application file for complete search history.

*Primary Examiner*—Patricia Palasik  
(74) *Attorney, Agent, or Firm*—Drinker Biddle & Reath LLP

(57) **CLAIM**

We claim the ornamental design for a cutting tool with a cemented tungsten carbide insert and ring, as shown and described.

(56) **References Cited**

U.S. PATENT DOCUMENTS

457,020 A *	8/1891	Williams	123/55.7
3,627,381 A	12/1971	Krekeler	
3,788,791 A *	1/1974	Munz	425/563
4,194,791 A *	3/1980	Montgomery et al.	299/105
4,201,421 A *	5/1980	Den Besten et al.	299/107
4,497,520 A *	2/1985	Ojanen	299/111
4,682,987 A	7/1987	Brady et al.	
4,688,856 A *	8/1987	Elfgen	299/104
4,938,538 A	7/1990	Larsson et al.	
RE33,494 E *	12/1990	Hindmarsh et al.	299/104
5,161,859 A *	11/1992	Larsson et al.	299/111
5,417,475 A	5/1995	Graham et al.	
6,113,195 A *	9/2000	Mercier et al.	299/104
6,196,636 B1 *	3/2001	Mills et al.	299/111
D446,231 S *	8/2001	Kuraoka et al.	D15/144
6,371,567 B1 *	4/2002	Sollami	299/104
RE38,151 E *	6/2003	Penkunas et al.	299/111
6,585,327 B2 *	7/2003	Sollami	299/107
6,709,065 B2 *	3/2004	Peay et al.	299/104

**DESCRIPTION**

FIG. 1 is a perspective view of a cutting tool with a cemented tungsten carbide insert and ring in accordance with the present invention;

FIG. 2 is a front elevational view thereof;

FIG. 3 is a rear elevational view thereof;

FIG. 4 is a left side elevational view thereof;

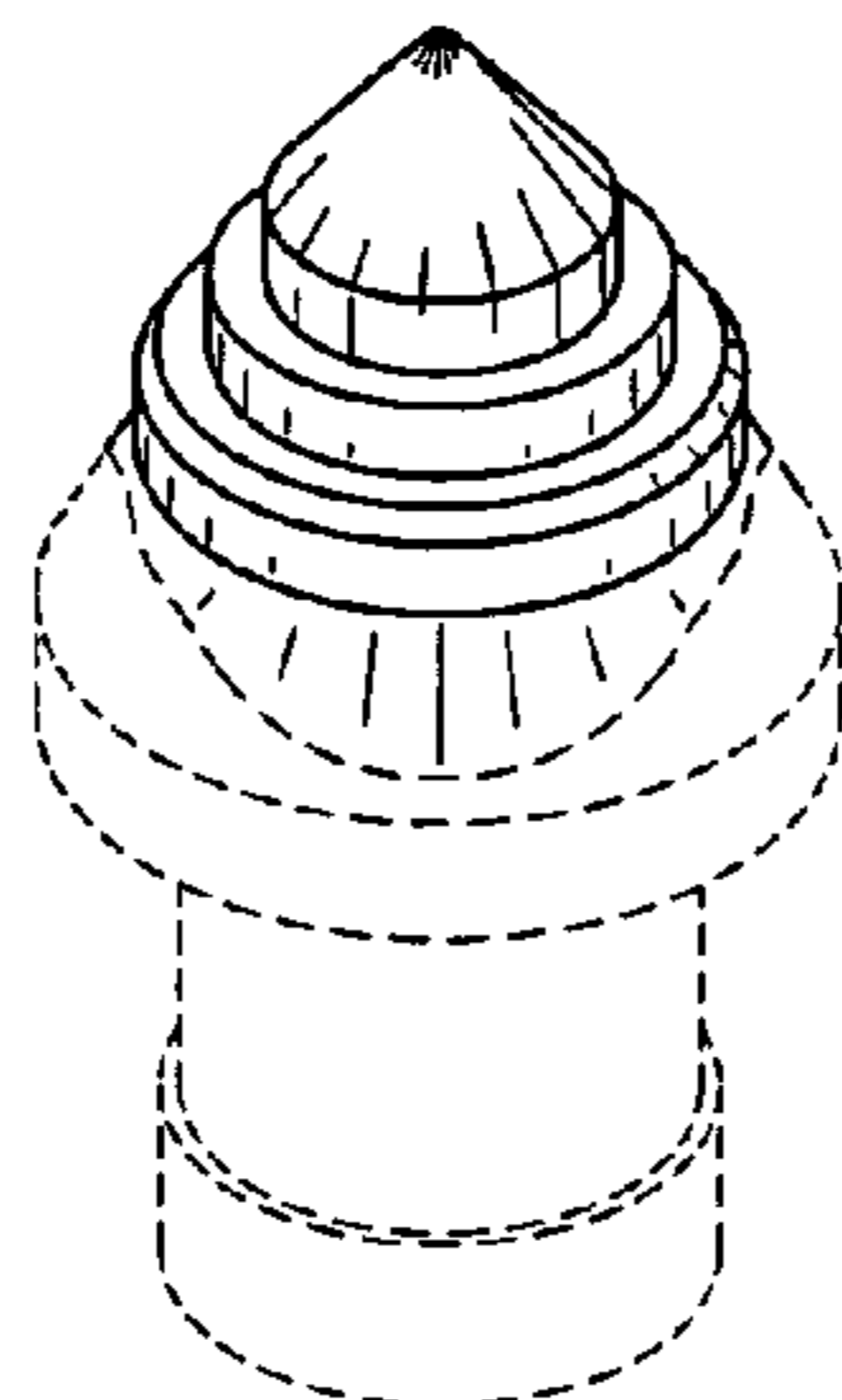
FIG. 5 is a right side elevational view thereof; and

FIG. 6 is a top plan view thereof; and,

FIG. 7 is a bottom plan view thereof.

The broken lines in the drawings are for illustrative purposes only and form no part of the claimed design.

**1 Claim, 1 Drawing Sheet**



# US D627,804 S

Page 2

---

## U.S. PATENT DOCUMENTS

2004/0026132 A1\* 2/2004 Hall et al. .... 175/427  
2005/0035649 A1\* 2/2005 Mercier et al. .... 299/105  
2005/0212345 A1\* 9/2005 Sleep et al. .... 299/105  
2006/0238016 A1\* 10/2006 Ritchey ..... 299/107  
2007/0257545 A1\* 11/2007 Mouthaan et al. .... 299/107  
2008/0030066 A1\* 2/2008 Mercier et al. .... 299/105  
2008/0042484 A1\* 2/2008 Majagi et al. .... 299/111  
2008/0143168 A1\* 6/2008 Ferreri et al. .... 299/104

2008/0164747 A1\* 7/2008 Weaver et al. .... 299/10  
2009/0026829 A1\* 1/2009 Weaver ..... 299/10

## FOREIGN PATENT DOCUMENTS

DE 30 05 684 8/1981  
EP 0 122 893 10/1984  
GB 2 004 315 3/1979  
SU 899916 5/1980

\* cited by examiner

Fig. 1

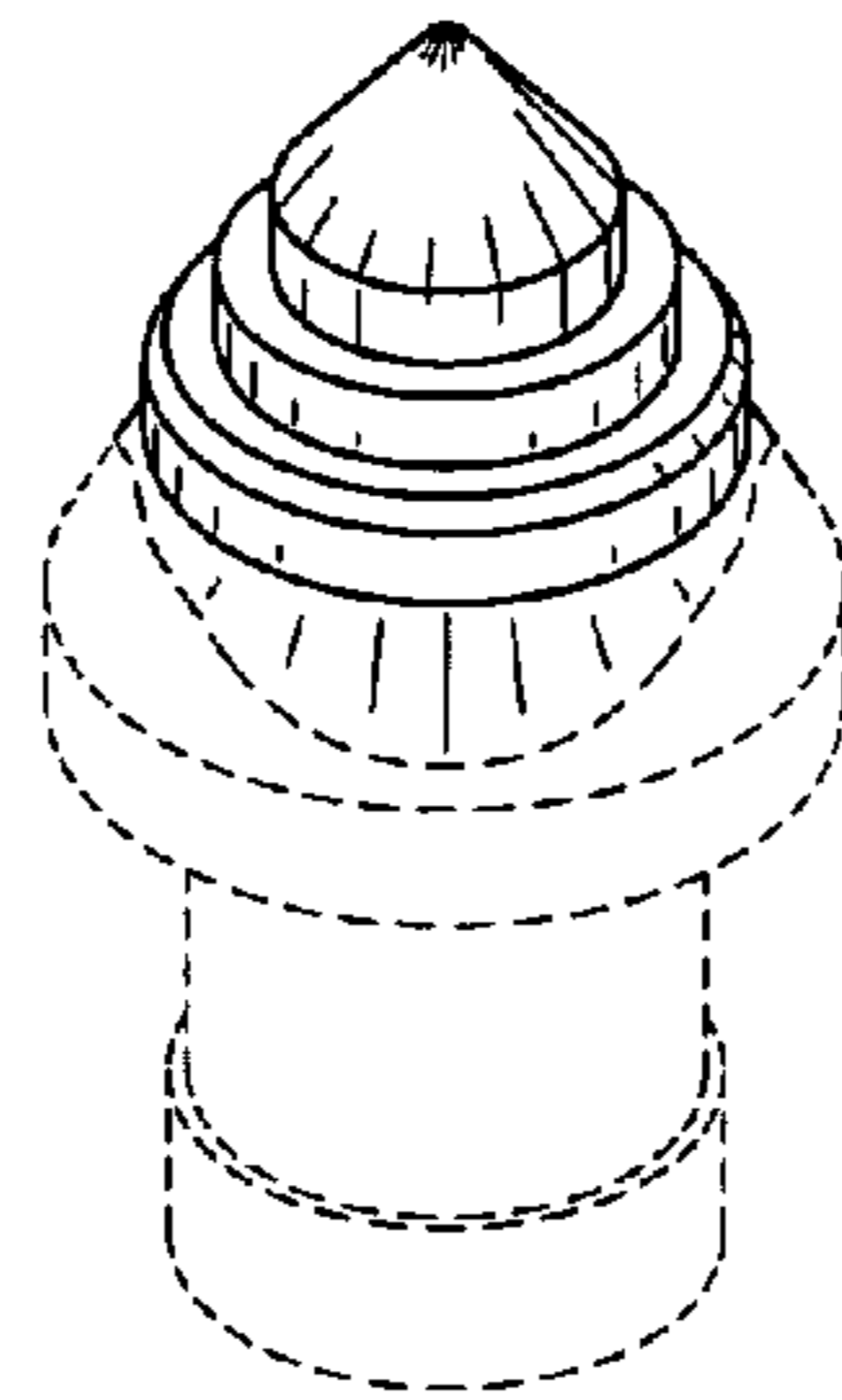


Fig. 2

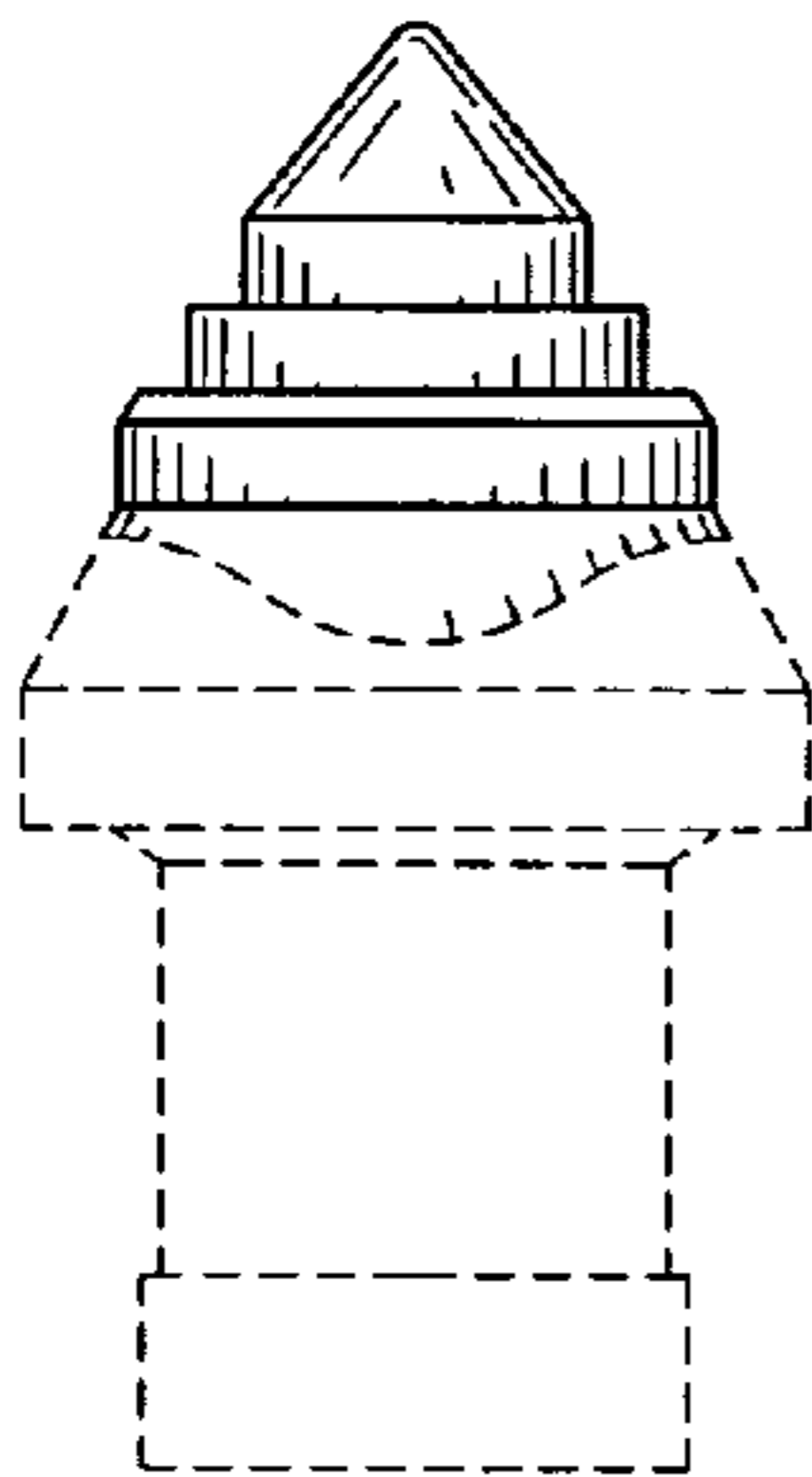


Fig. 3

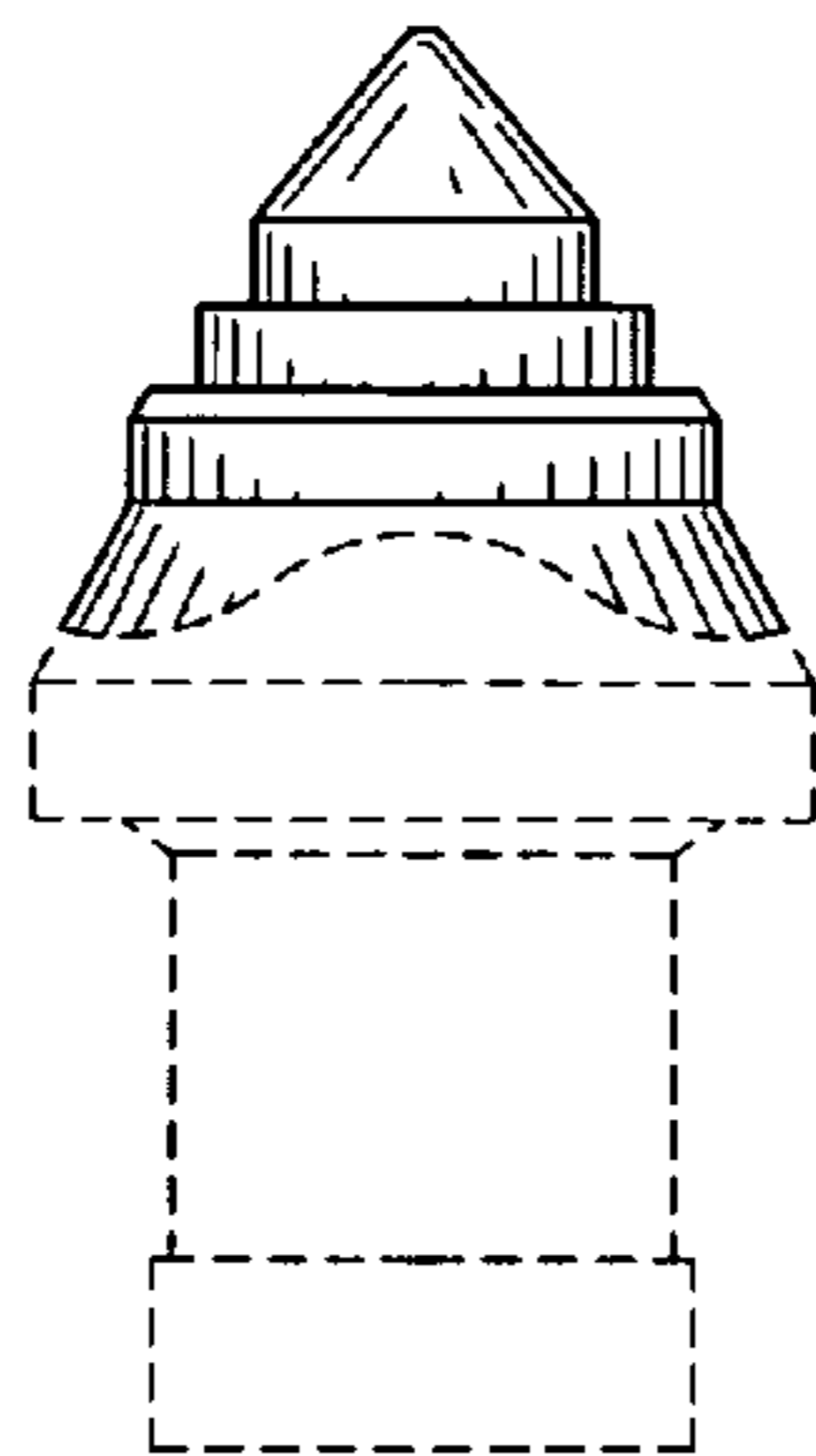


Fig. 4

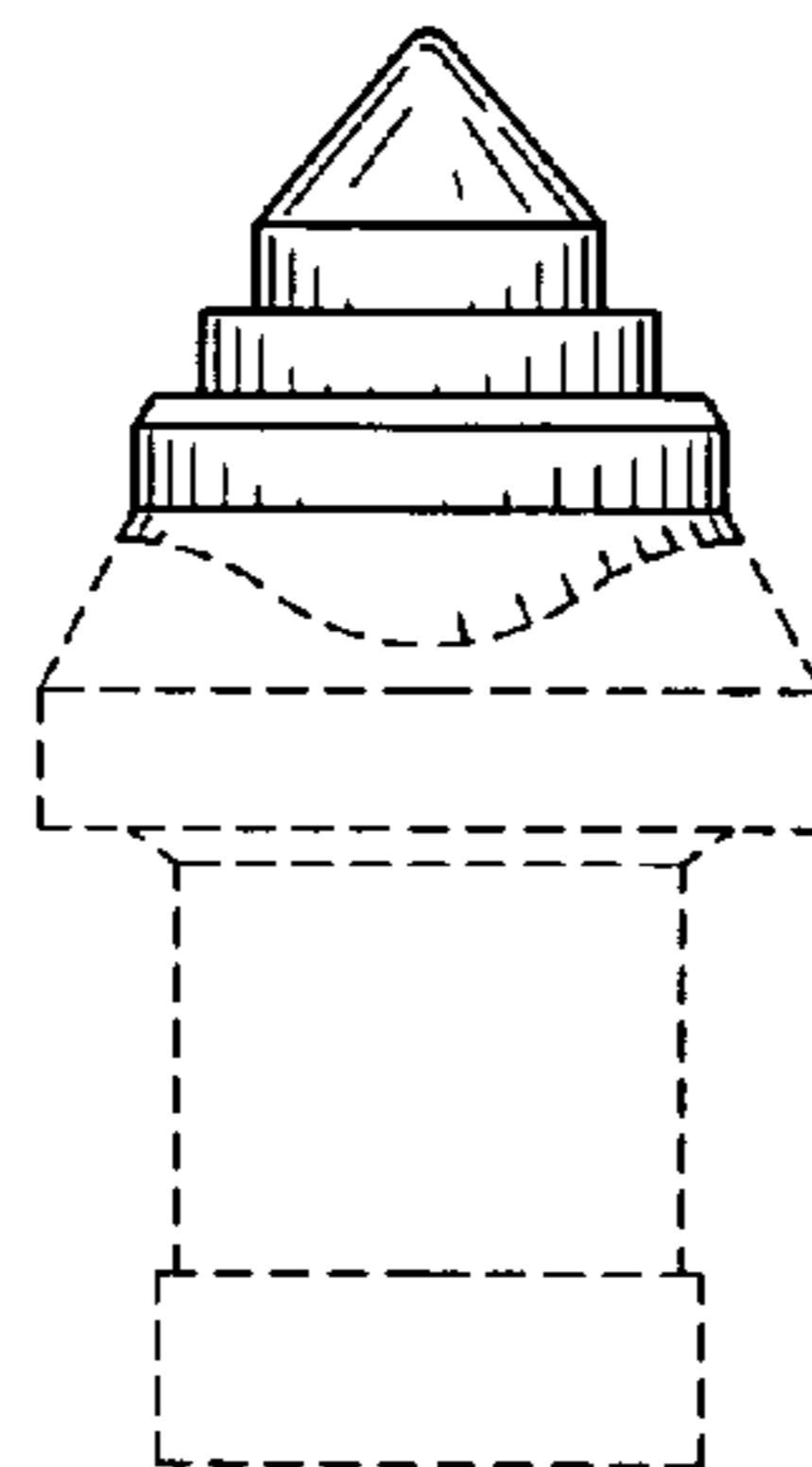


Fig. 5

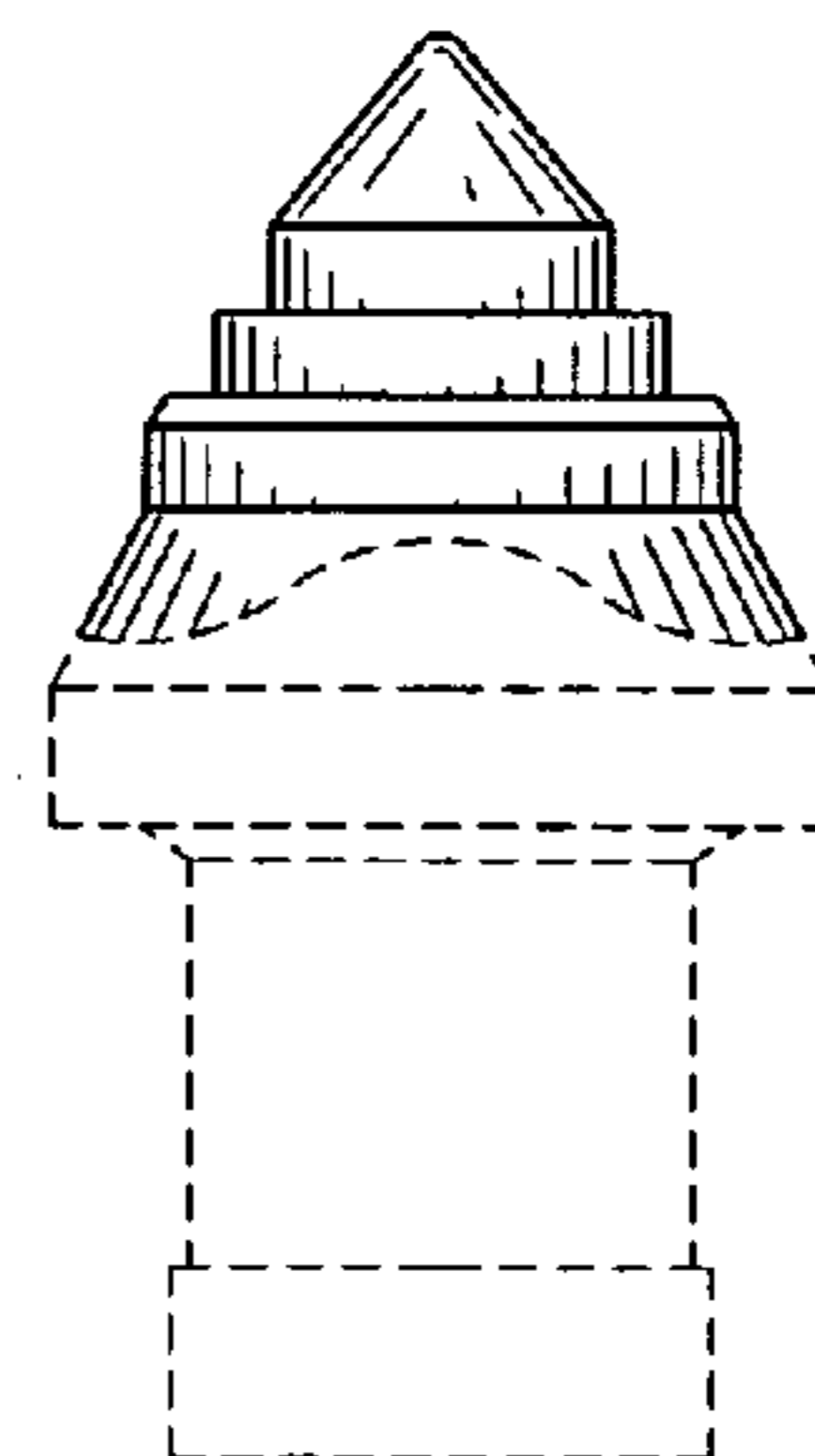


Fig. 6

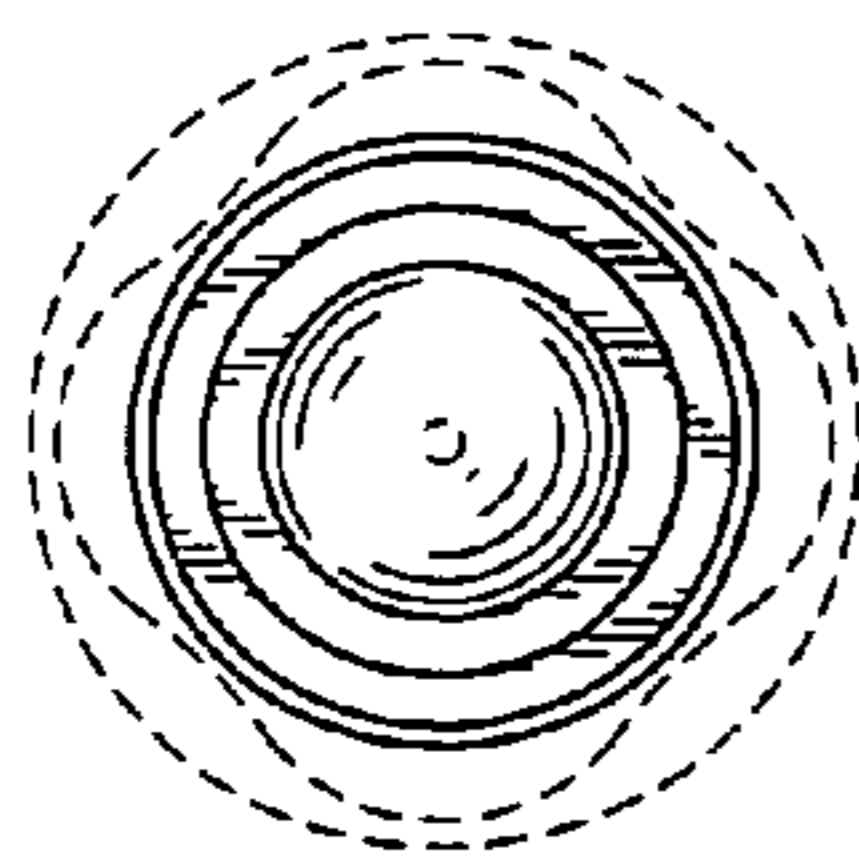


Fig. 7

