



US00D627803S

(12) **United States Design Patent**
Jebb

(10) **Patent No.:** **US D627,803 S**

(45) **Date of Patent:** **** Nov. 23, 2010**

(54) **BENCH GRINDER**

(76) **Inventor:** **David Jebb**, Hill Farm, Sleep Hill Lane,
Skelbrooke (GB) DN6 8LZ

(**) **Term:** **14 Years**

(21) **Appl. No.:** **29/339,469**

(22) **Filed:** **Jun. 30, 2009**

(30) **Foreign Application Priority Data**

Mar. 10, 2009 (EM) 001102552-0003

(51) **LOC (9) Cl.** **15-09**

(52) **U.S. Cl.** **D15/125**

(58) **Field of Classification Search** D8/62;
D15/124, 125, 126; 451/64, 65, 114, 124,
451/158, 178, 231, 259, 296, 364, 391, 461
See application file for complete search history.

(56) **References Cited**

U.S. PATENT DOCUMENTS

D153,751 S *	5/1949	Apple	D15/125
D412,175 S *	7/1999	Baughman	D15/124
D447,155 S *	8/2001	Lin Ku	D15/124
D447,156 S *	8/2001	Lin Ku	D15/124
D458,617 S *	6/2002	Wang	D15/124
D505,683 S *	5/2005	Pfaff	D15/124
D509,837 S *	9/2005	Sesona	D15/125
D558,801 S *	1/2008	Chen	D15/125

* cited by examiner

Primary Examiner—Sandra Snapp

Assistant Examiner—Patricia Palasik

(74) *Attorney, Agent, or Firm*—Sonnenschein Nath &
Rosenthal LLP; Brian R. McGinley

(57) **CLAIM**

The ornamental design for a bench grinder, as shown and described.

DESCRIPTION

FIG. 1 is a perspective of a bench grinder embodying the new design;

FIG. 2 is a rear view of the bench grinder illustrated in FIG. 1;

FIG. 3 is a front view of the bench grinder illustrated in FIG. 1;

FIG. 4 is a left side view of the bench grinder illustrated in FIG. 1;

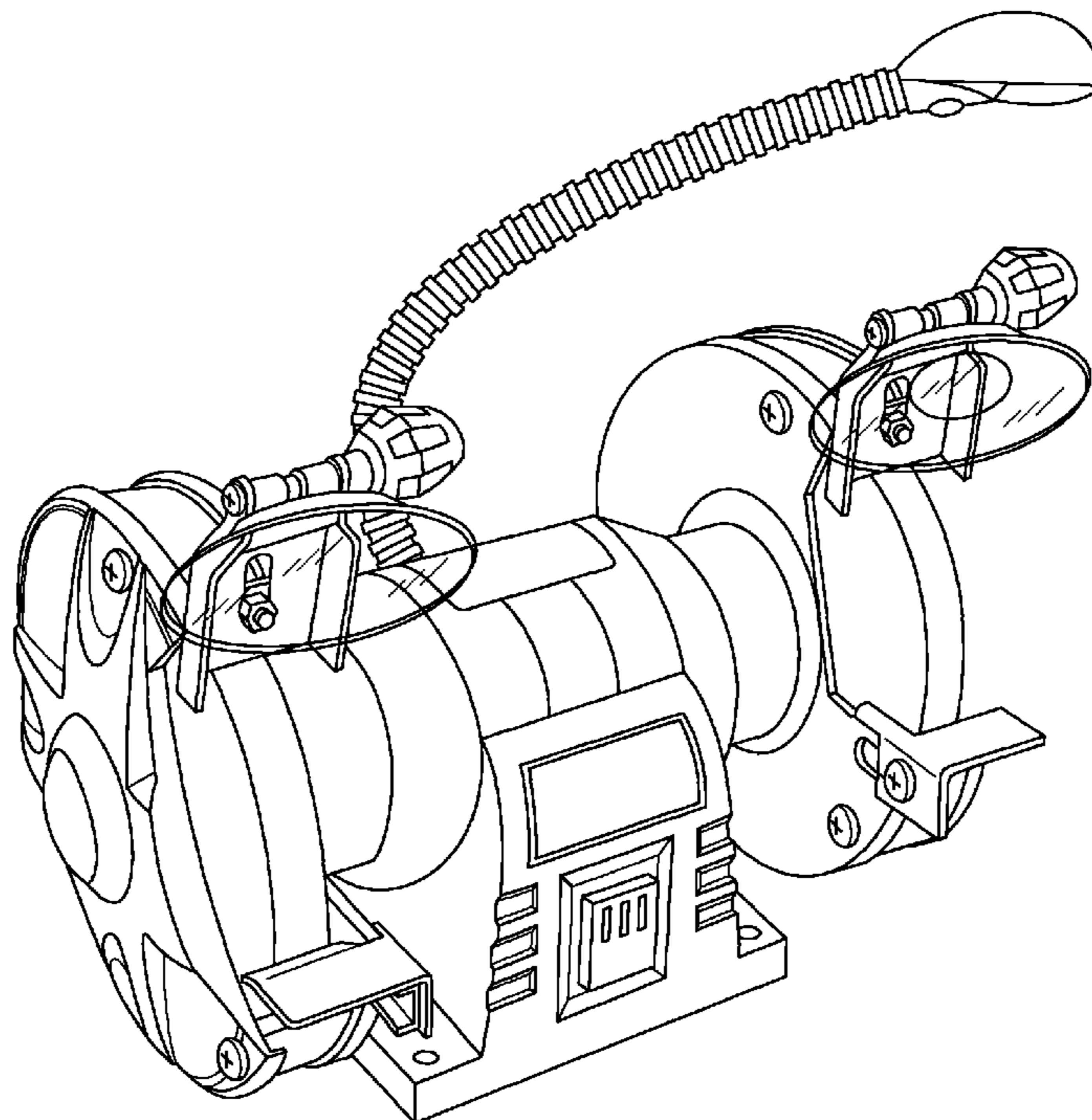
FIG. 5 is a right side view of the bench grinder shown in FIG. 1;

FIG. 6 is a top view of the bench grinder illustrated in FIG. 1; and,

FIG. 7 is a bottom view of the bench grinder illustrated in FIG. 1.

The broken lines in the drawings depict unclaimed environmental subject matter.

1 Claim, 7 Drawing Sheets



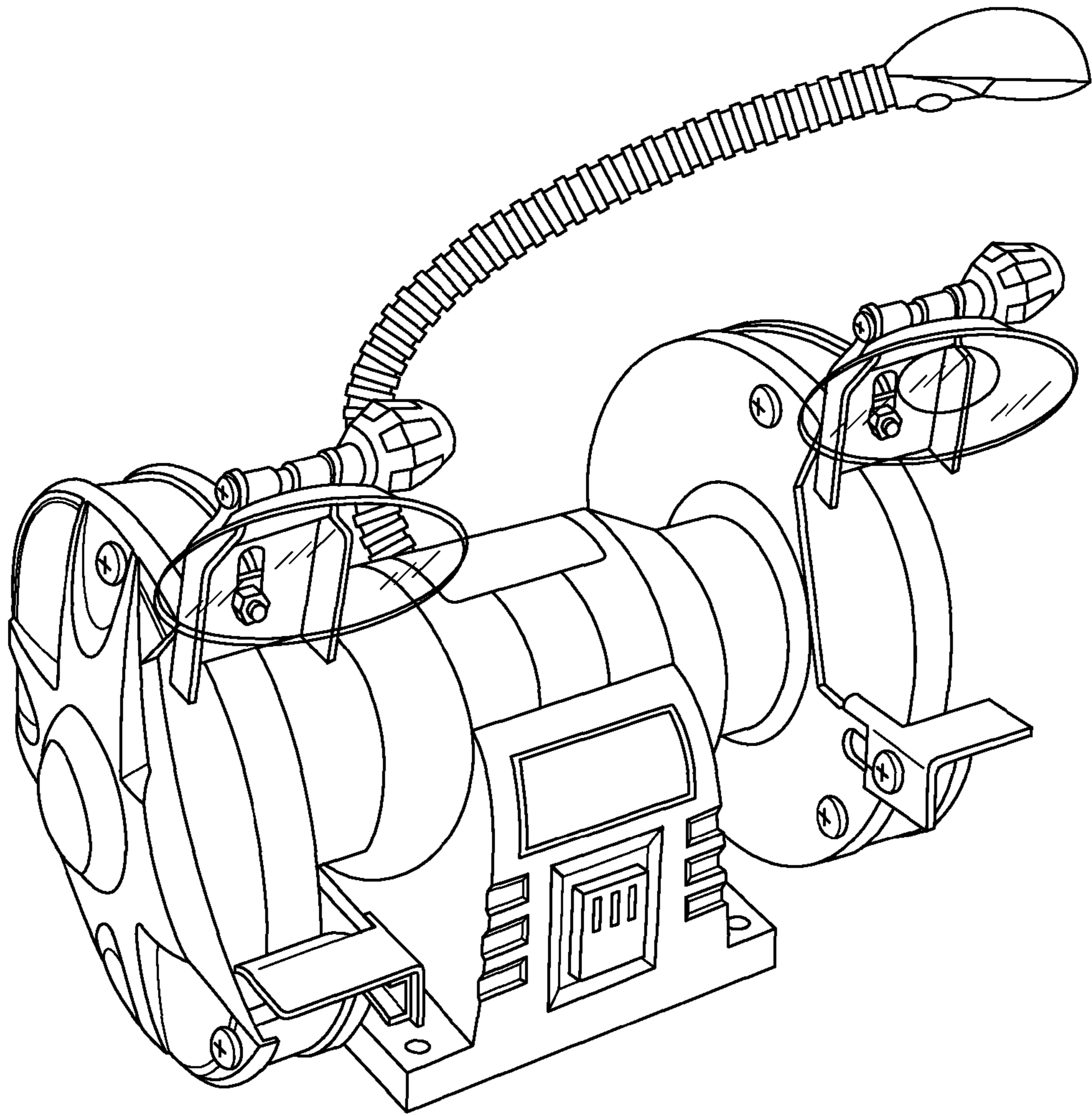


FIG. 1

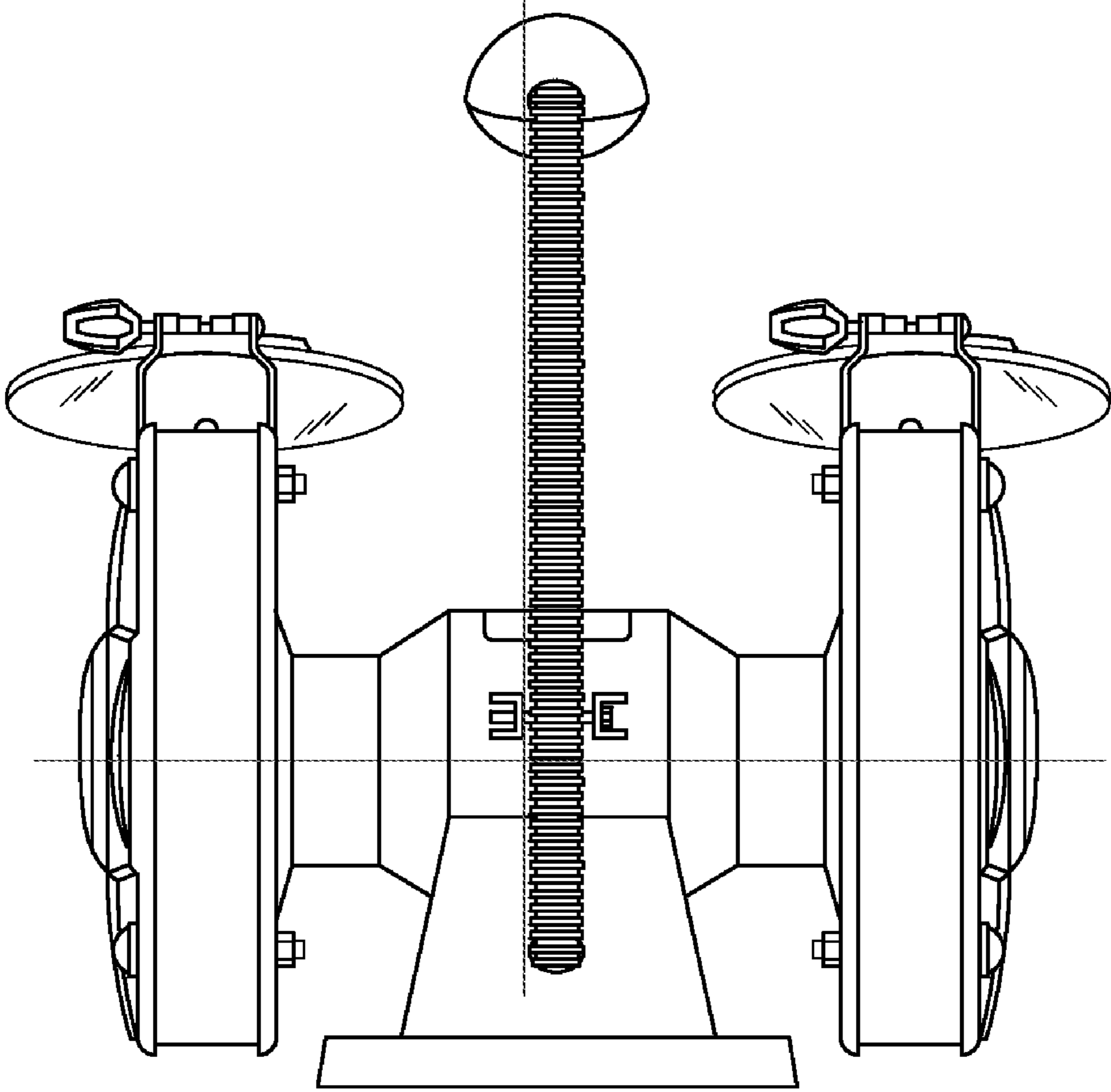


FIG. 2

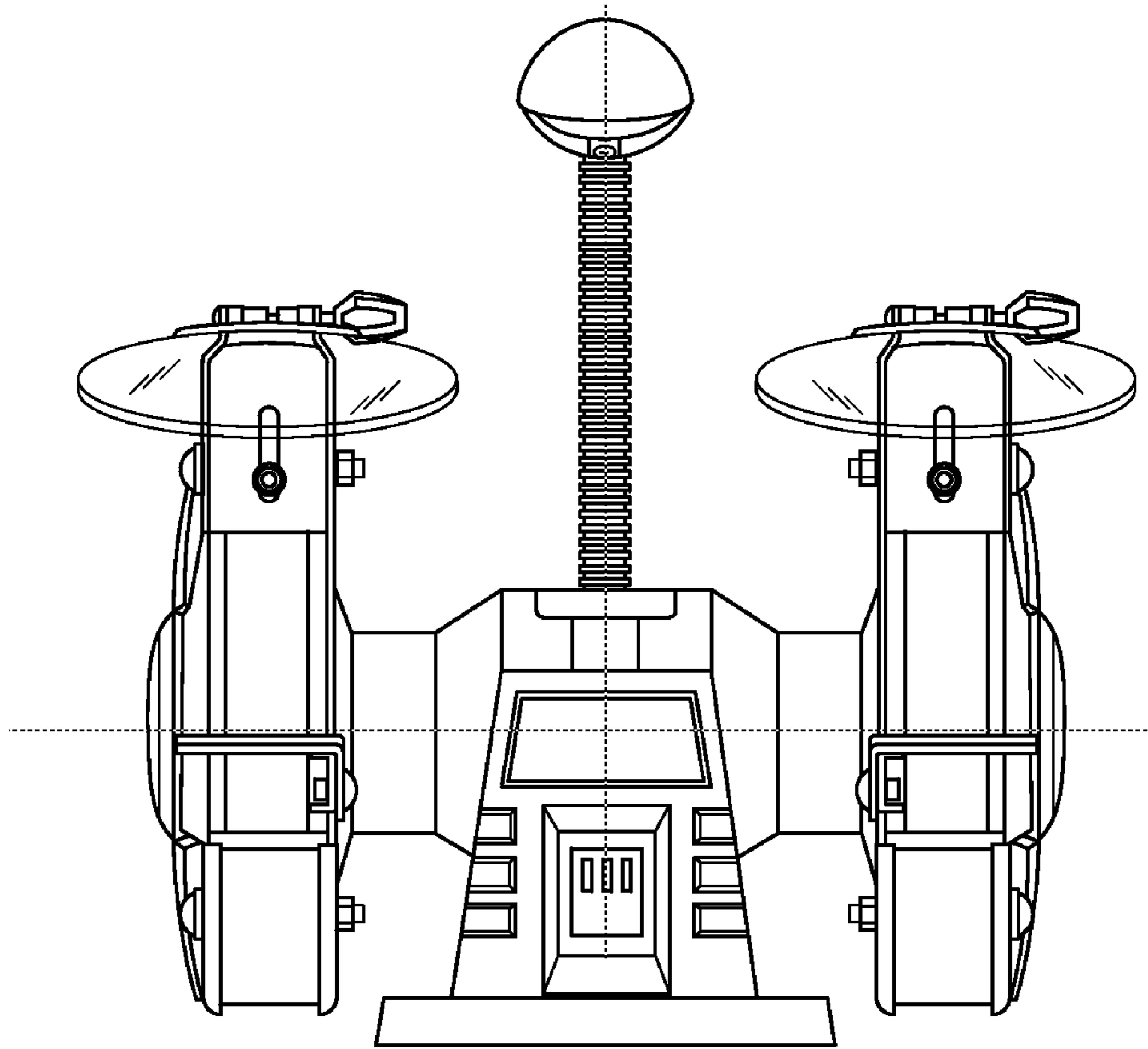


FIG. 3

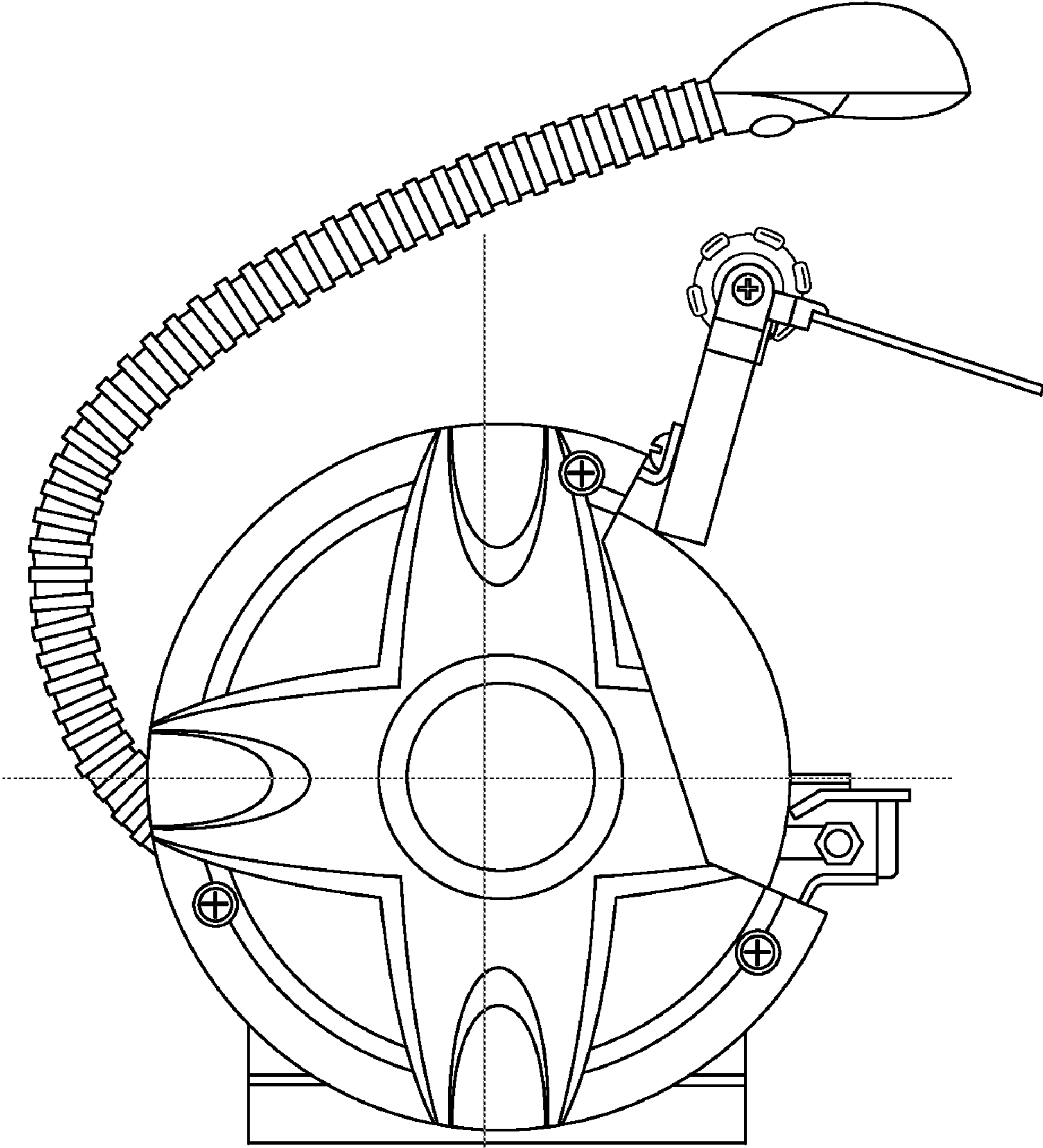


FIG. 4

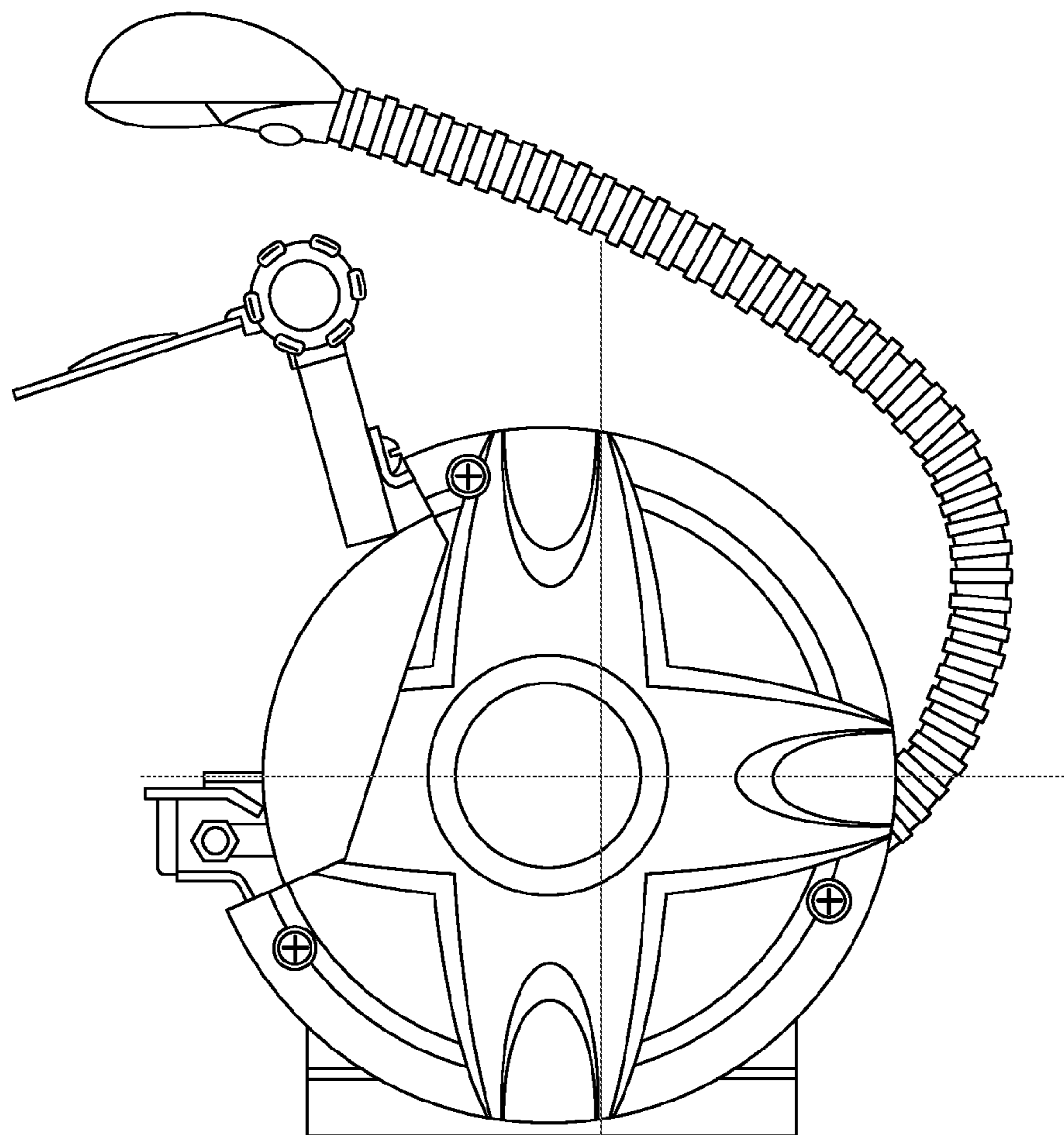


FIG. 5

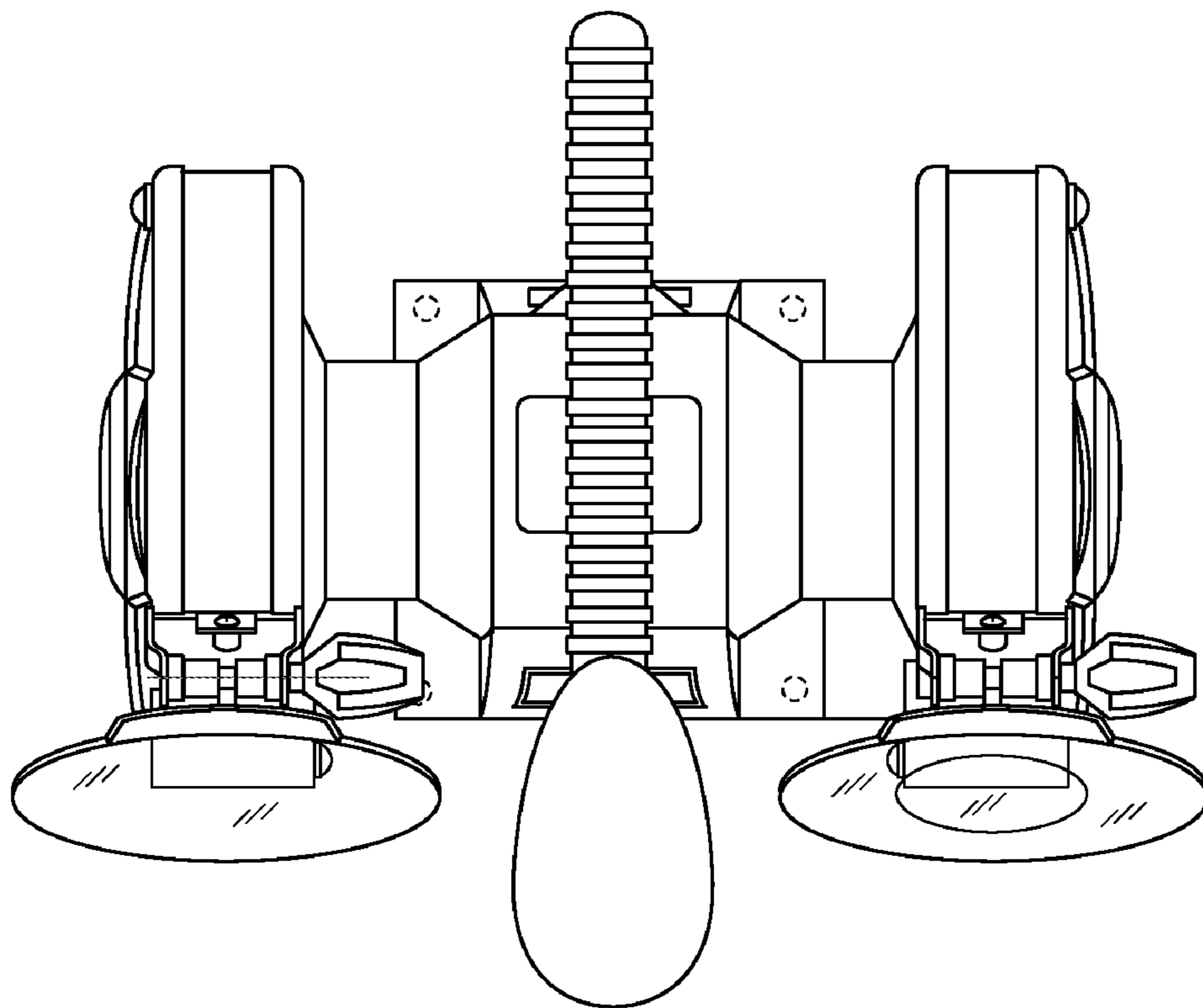


FIG. 6

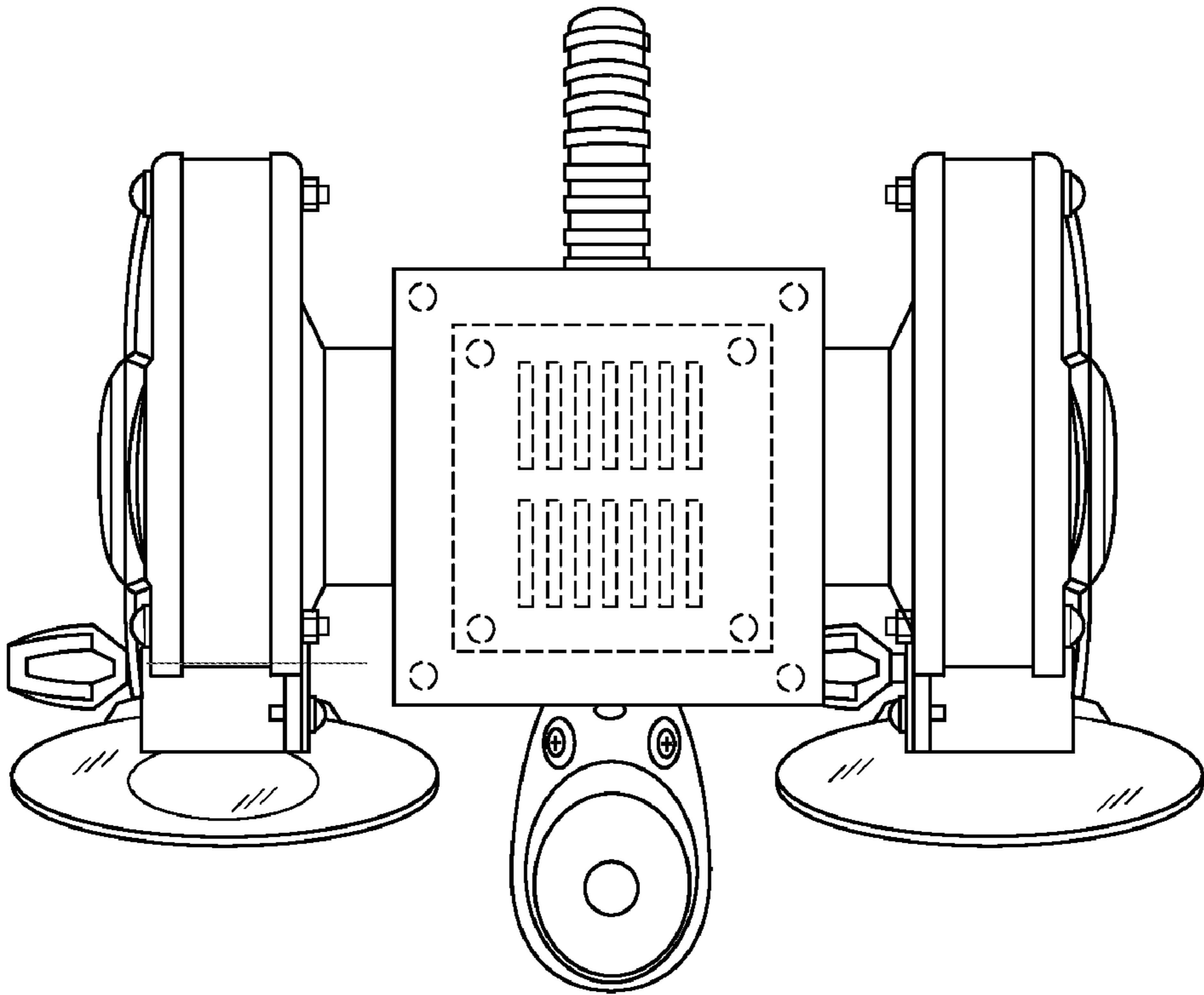


FIG. 7