



US00D627801S

(12) **United States Design Patent**
Berning et al.

(10) **Patent No.:** **US D627,801 S**
(45) **Date of Patent:** **** Nov. 23, 2010**

(54) **BASE FOR CONTROL PANEL FOR A CONSTRUCTION MACHINE**

(75) Inventors: **Christian Berning**, Zülpich (DE);
Thomas Kramer, Königswinter (DE);
Cyrus Barimani, Königswinter (DE);
Günter Hähn, Königswinter (DE)

(73) Assignee: **Wirtgen GmbH** (DE)

(**) Term: **14 Years**

(21) Appl. No.: **29/358,522**

(22) Filed: **Mar. 29, 2010**

(51) **LOC (9) Cl.** **15-03**

(52) **U.S. Cl.** **D15/28**

(58) **Field of Classification Search** D15/10,
D15/17, 22-26, 28; D12/192; D13/184,
D13/162, 164; D14/247, 285, 415; D10/125;
D34/28, 35; 220/811; 180/315, 89.1, 89.12,
180/235, 900; 414/273, 495, 454, 459, 460,
414/719, 694, 699, 722-724; 212/324, 326,
212/327

See application file for complete search history.

(56) **References Cited**

U.S. PATENT DOCUMENTS

D284,577 S * 7/1986 DuBose D15/28

(Continued)

Primary Examiner—Mark A Goodwin

(74) *Attorney, Agent, or Firm*—Waddey & Patterson, P.C.;
Lucian Wayne Beavers

(57) **CLAIM**

What is claimed is the ornamental design for a base for control panel for a construction machine, as shown and described.

DESCRIPTION

FIG. 1 is a top front perspective view of the base for control panel for a construction machine. The broken lines showing a plug protruding from the front of the article are shown for

environmental purposes only and form no part of the claimed design. The broken lines in the center of the Figure are shown to define a boundary around a portion of the article which is not part of the claimed design. The area within the broken line boundary is not part of the claimed design.

FIG. 2 is a top plan view of the base for control panel for a construction machine of FIG. 1. The broken lines showing a plug protruding from the front of the article are shown for environmental purposes only and form no part of the claimed design. The broken lines in the center of the Figure are shown to define a boundary around a portion of the article which is not part of the claimed design. The area within the broken line boundary is not part of the claimed design.

FIG. 3 is a bottom view of the base for control panel for a construction machine of FIG. 1. The broken lines showing a plug protruding from the front of the article are shown for environmental purposes only and form no part of the claimed design. The broken lines in the center of the Figure are shown to define a boundary around a portion of the article which is not part of the claimed design. The area within the broken line boundary is not part of the claimed design.

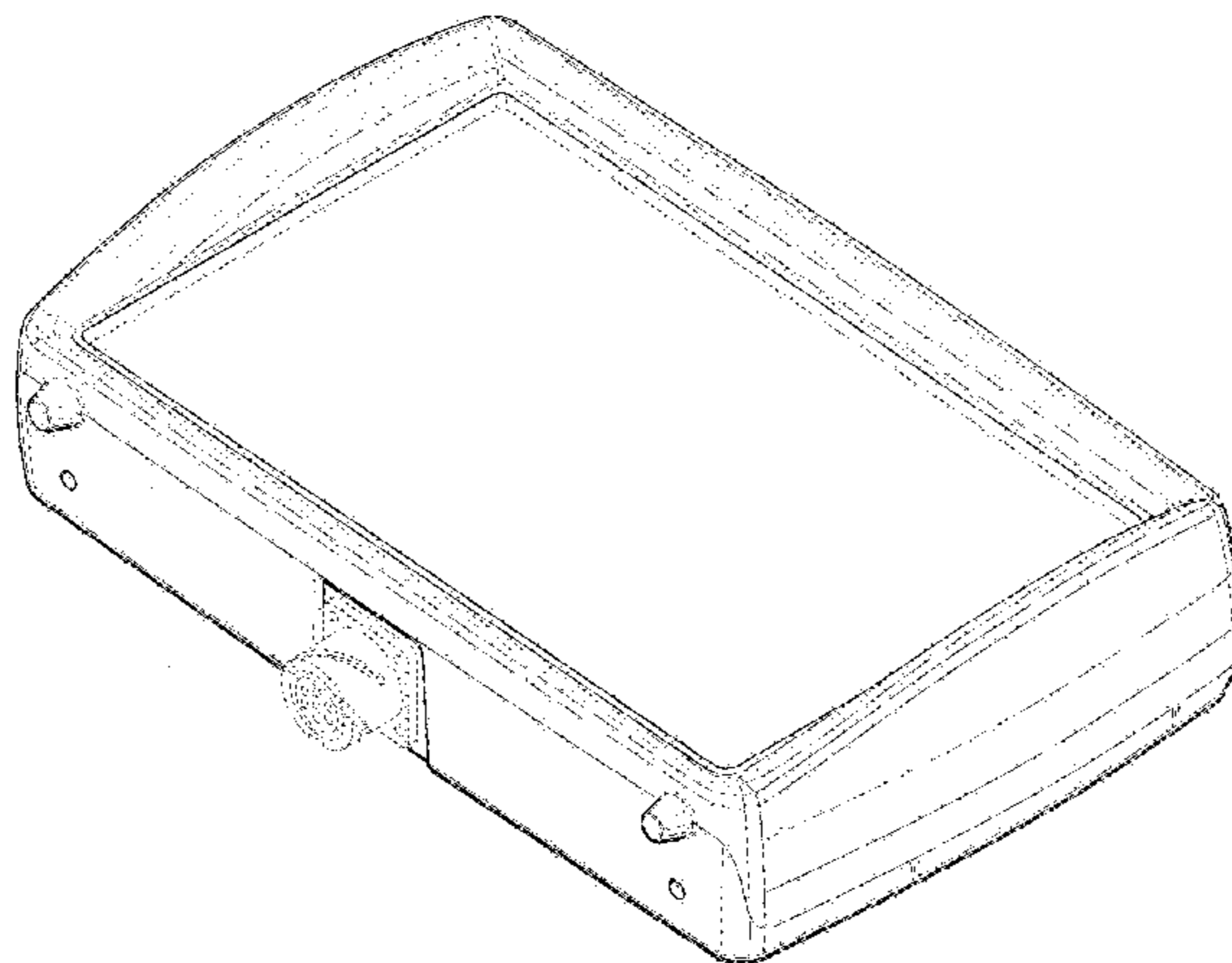
FIG. 4 is a rear side elevation view of the base for control panel for a construction machine of FIG. 1.

FIG. 5 is a front side elevation view of the base for control panel for a construction machine of FIG. 1. The broken lines showing a plug protruding from the front of the article are shown for environmental purposes only and form no part of the claimed design.

FIG. 6 is a left end elevation view of the base for control panel for a construction machine of FIG. 1. The broken lines showing a plug protruding from the front of the article are shown for environmental purposes only and form no part of the claimed design; and,

FIG. 7 is a right end elevation view of the base for control panel for a construction machine of FIG. 1. The broken lines showing a plug protruding from the front of the article are shown for environmental purposes only and form no part of the claimed design.

1 Claim, 5 Drawing Sheets



US D627,801 S

Page 2

U.S. PATENT DOCUMENTS

D287,360 S *	12/1986	Lehmann	D13/184	D543,558 S *	5/2007	Dolesh et al.	D15/28
D311,520 S *	10/1990	Serio, Jr.	D13/184	D550,167 S *	9/2007	Popa	D13/164
D356,095 S *	3/1995	Innes	D15/31	D555,676 S *	11/2007	Haubrich et al.	D15/28
D380,199 S *	6/1997	Beruscha et al.	D13/184	D558,685 S *	1/2008	Peterson	D13/162
D456,364 S *	4/2002	Suen	D13/162	D558,798 S *	1/2008	Sakitani et al.	D15/28
D462,063 S *	8/2002	Bohne	D14/125	D561,114 S *	2/2008	Peterson	D13/162
D485,810 S *	1/2004	Fiocchi	D12/184	D564,972 S *	3/2008	Peterson	D13/162
D486,161 S *	2/2004	Greene	D15/28	D567,258 S *	4/2008	Wilkens	D15/17
D508,499 S *	8/2005	Kurtz, Jr.	D15/31	D567,776 S *	4/2008	Wells	D13/184
D511,150 S *	11/2005	Nurmi et al.	D13/184	D578,274 S *	10/2008	Tokach et al.	D34/35
D513,497 S *	1/2006	Whitehouse	D13/162	D587,286 S *	2/2009	Jurasz et al.	D15/28
D518,451 S *	4/2006	Nussberger et al.	D13/184	D588,061 S *	3/2009	Bao et al.	D13/122
D533,092 S *	12/2006	Disselkoen et al.	D10/50	D588,062 S *	3/2009	Bao et al.	D13/122
D542,745 S *	5/2007	Barnes et al.	D13/184	2006/0243270 A1 *	11/2006	Moskwa et al.	126/194

* cited by examiner

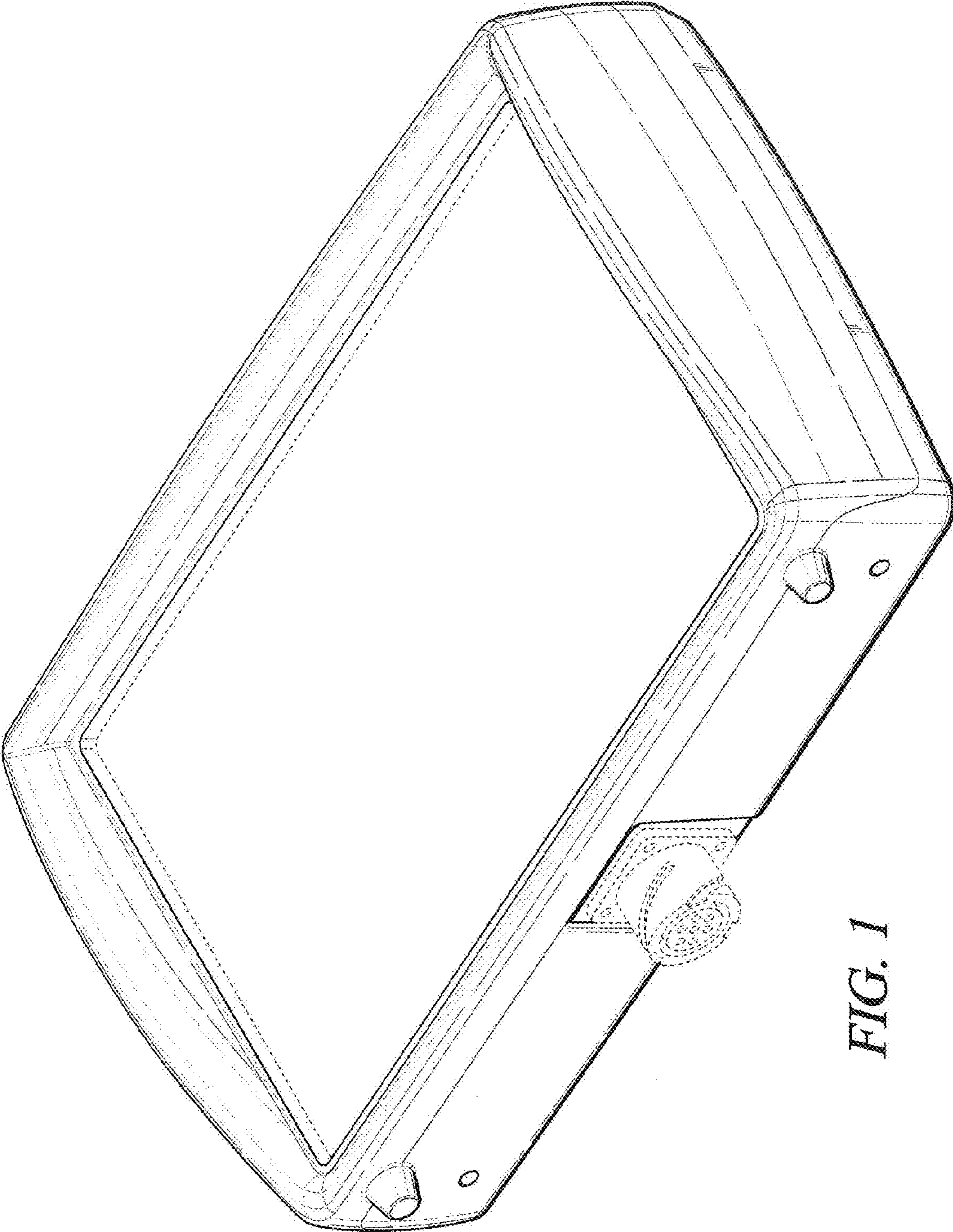


FIG. 1

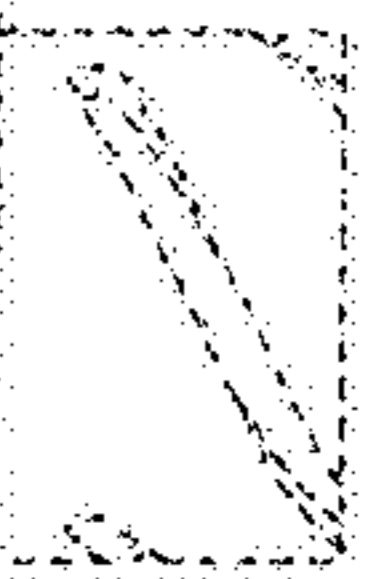
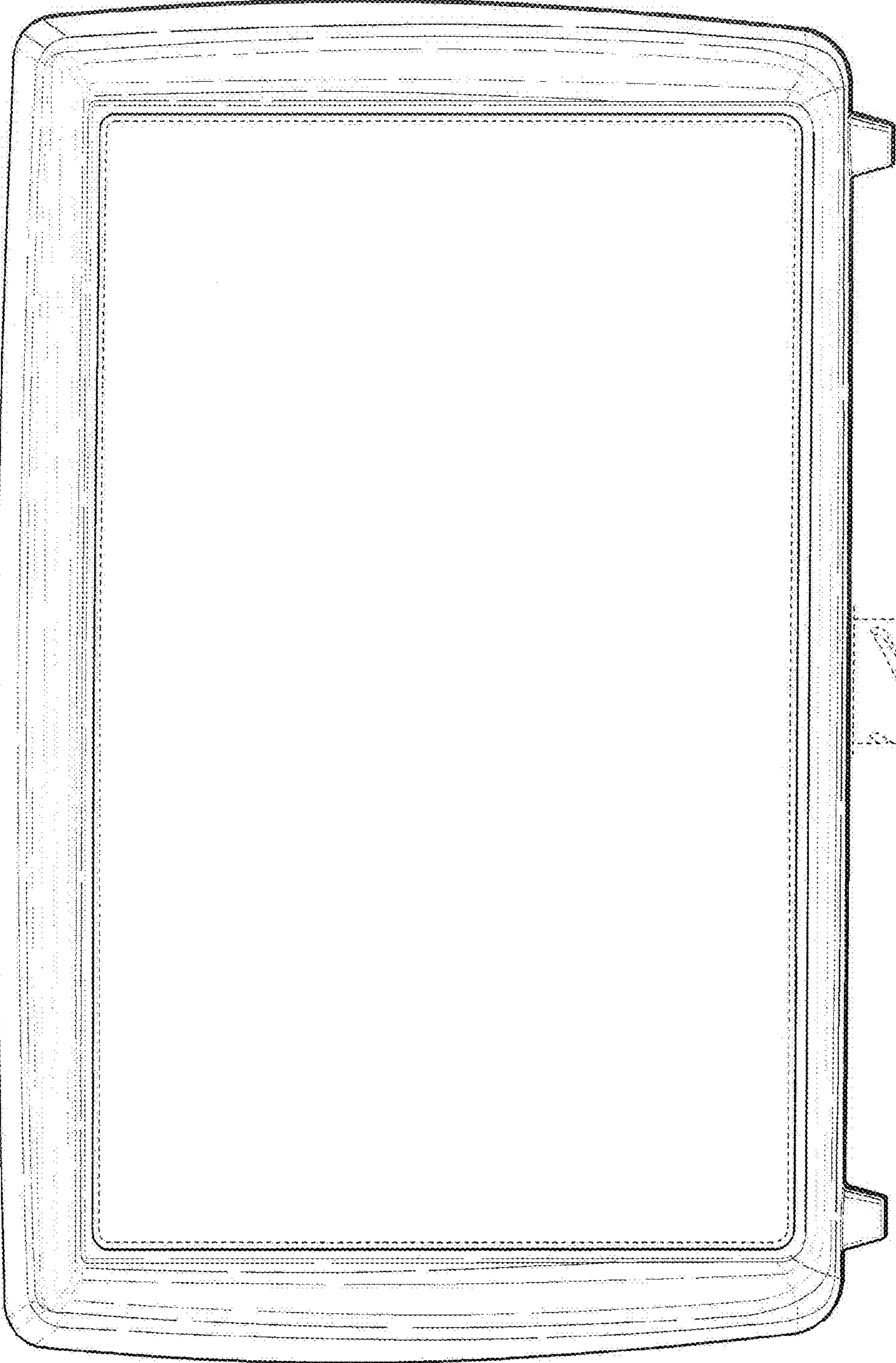


FIG. 2

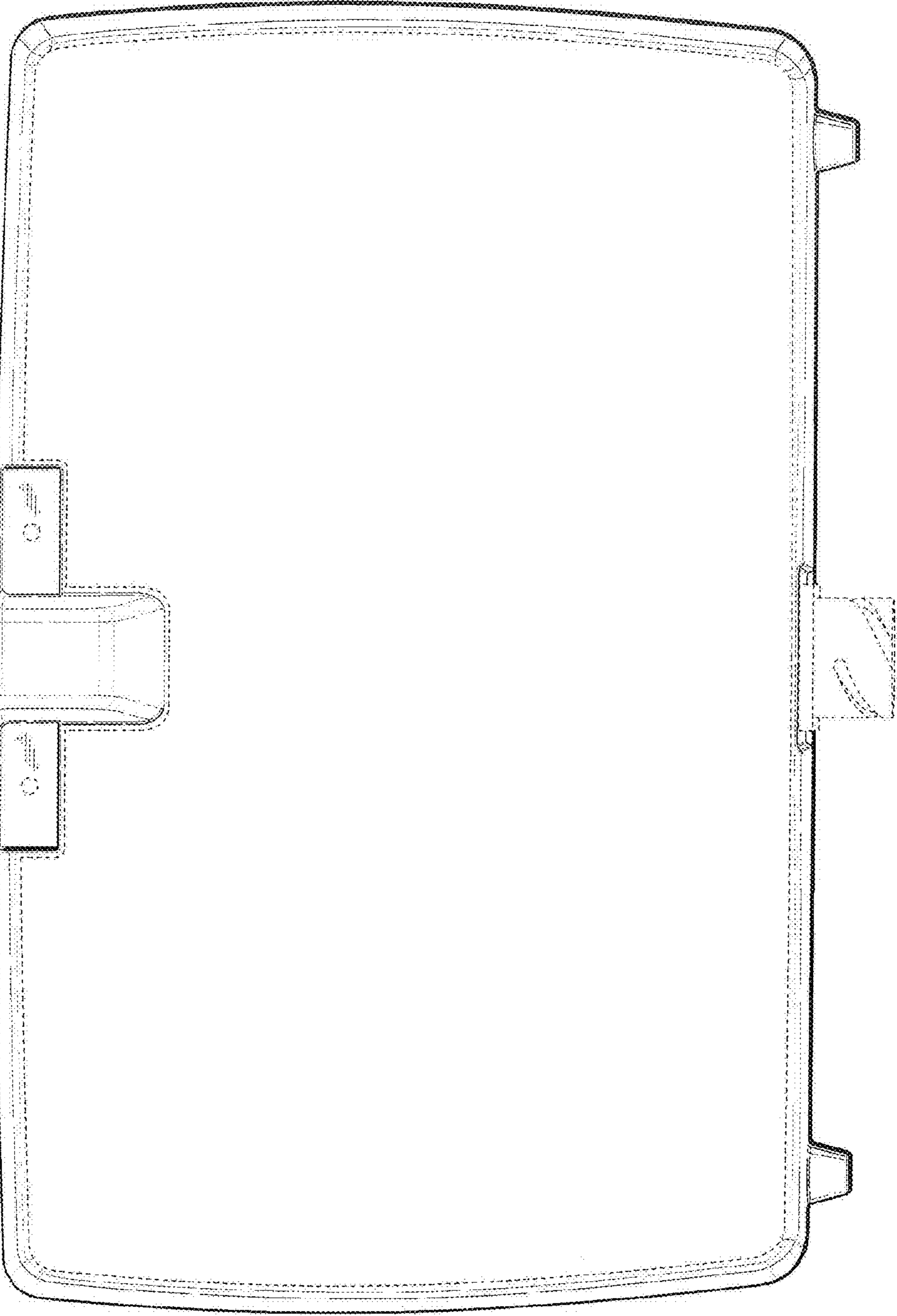


FIG. 3

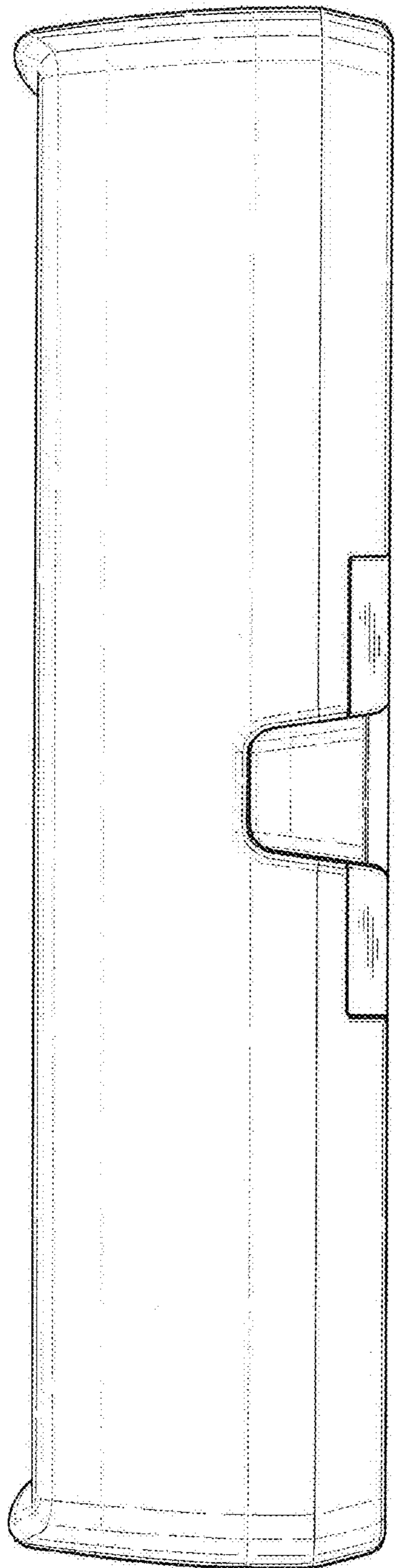


FIG. 4

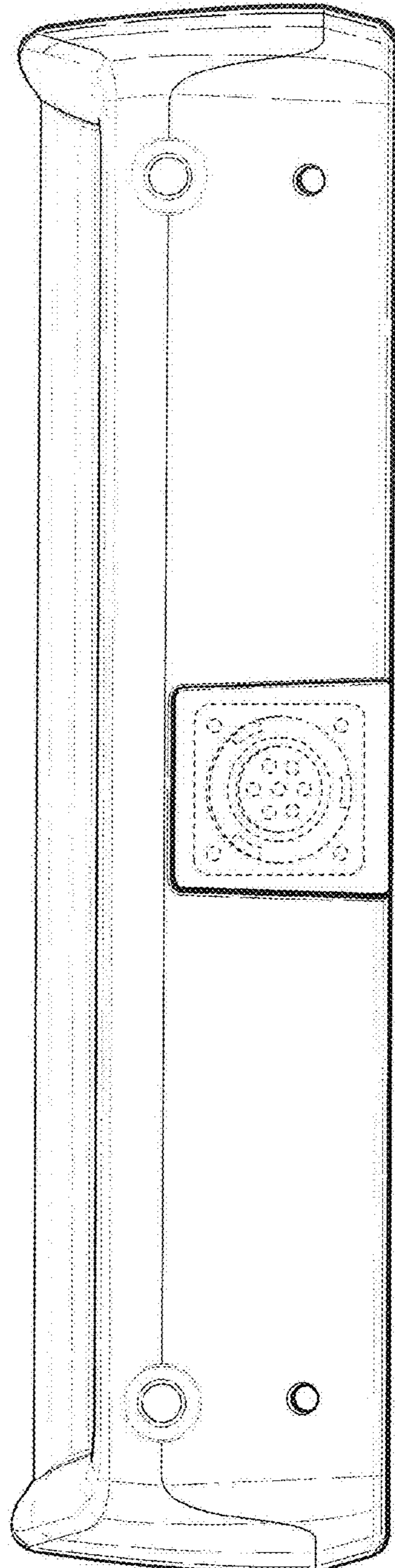


FIG. 5

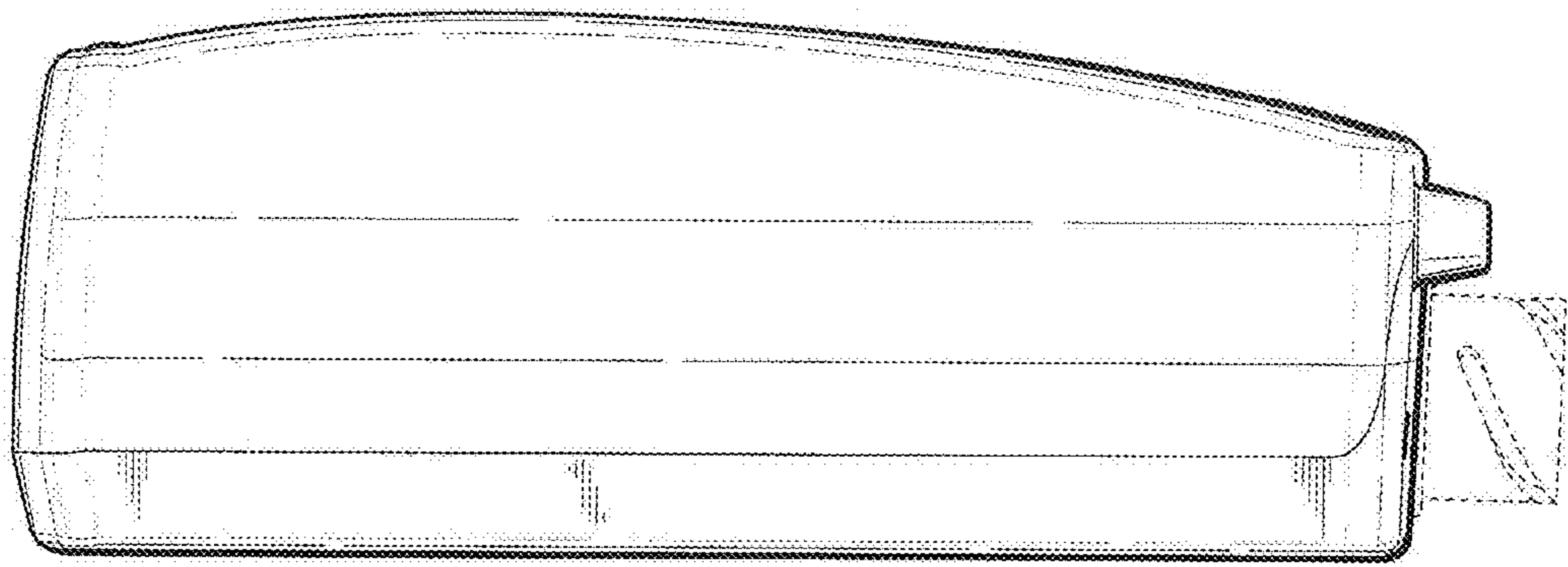


FIG. 6

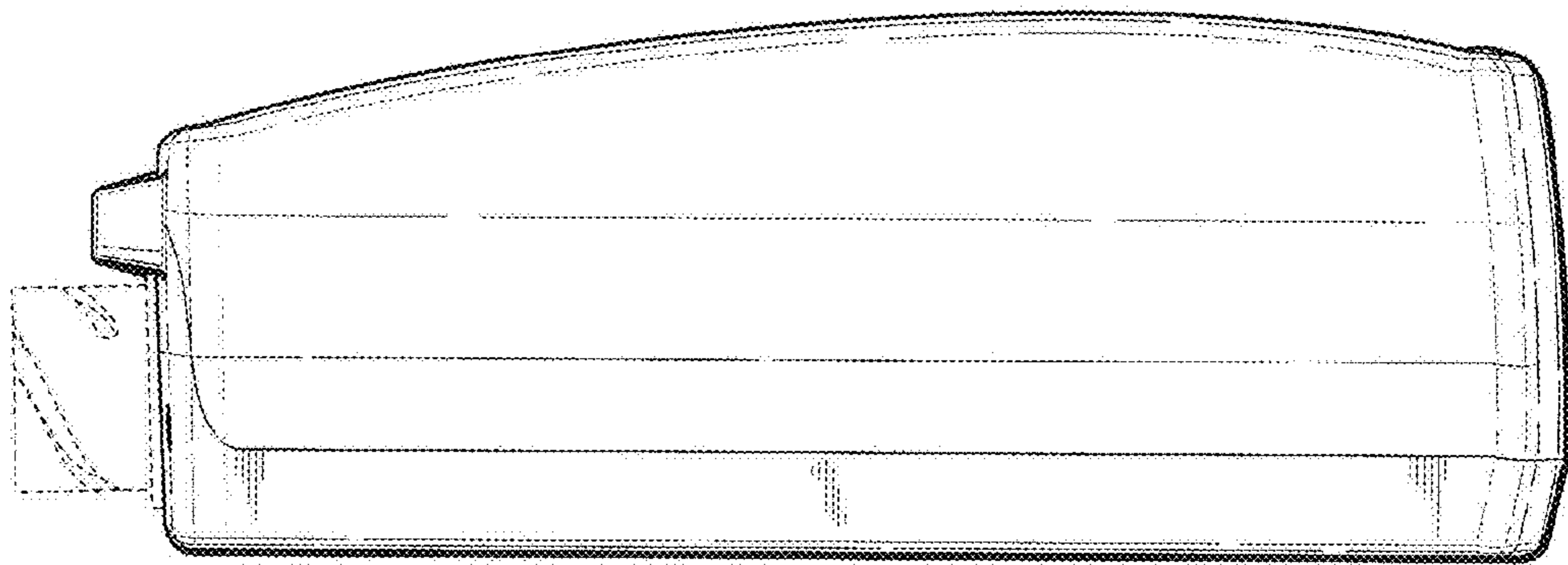


FIG. 7

UNITED STATES PATENT AND TRADEMARK OFFICE
CERTIFICATE OF CORRECTION

PATENT NO. : D627,801 S
APPLICATION NO. : 29/358522
DATED : November 23, 2010
INVENTOR(S) : Berning et al.

Page 1 of 1

It is certified that error appears in the above-identified patent and that said Letters Patent is hereby corrected as shown below:

Title page, column 1, after line (22) insert:

--(30) Foreign Application Priority Data

Sep. 30, 2009 (EM).....001617879-0001
Sep. 30, 2009 (EM).....001617879-0002
Sep. 30, 2009 (EM).....001617879-0003
Sep. 30, 2009 (EM).....001617879-0004
Sep. 30, 2009 (EM).....001617879-0005
Sep. 30, 2009 (EM).....001617879-0006--

Signed and Sealed this
First Day of May, 2012



David J. Kappos
Director of the United States Patent and Trademark Office