



US00D627799S

(12) **United States Design Patent**  
**Berning et al.**

(10) **Patent No.:** **US D627,799 S**

(45) **Date of Patent:** **\*\* Nov. 23, 2010**

(54) **BASE FOR CONTROL PANEL FOR A CONSTRUCTION MACHINE**

D380,199 S \* 6/1997 Beruscha et al. .... D13/184  
D456,364 S \* 4/2002 Suen ..... D13/162

(Continued)

(75) Inventors: **Christian Berning**, Zülpich (DE);  
**Thomas Kramer**, Königswinter (DE);  
**Cyrus Barimani**, Königswinter (DE);  
**Günter Hähn**, Königswinter (DE)

*Primary Examiner*—Mark A Goodwin  
(74) *Attorney, Agent, or Firm*—Waddey & Patterson, P.C.;  
Lucian Wayne Beavers

(73) Assignee: **Wirtgen GmbH** (DE)

(57) **CLAIM**

(\*\*) Term: **14 Years**

What is claimed is the ornamental design for a base for control panel for a construction machine, as shown and described.

(21) Appl. No.: **29/358,511**

(22) Filed: **Mar. 29, 2010**

**DESCRIPTION**

(30) **Foreign Application Priority Data**

Sep. 30, 2009 (EM) ..... 001617846-0001  
Sep. 30, 2009 (EM) ..... 001617846-0002  
Sep. 30, 2009 (EM) ..... 001617846-0003  
Sep. 30, 2009 (EM) ..... 001617846-0004  
Sep. 30, 2009 (EM) ..... 001617846-0005  
Sep. 30, 2009 (EM) ..... 001617846-0006  
Sep. 30, 2009 (EM) ..... 001617846-0007  
Sep. 30, 2009 (EM) ..... 001617994

FIG. 1 is a top front perspective view of the base for control panel for a construction machine. The broken lines in the center of the Figure are shown to define a boundary around a portion of the article which is not part of the claimed design. The area within the broken line boundary is not part of the claimed design.

FIG. 2 is a top plan view of the base for control panel for a construction machine of FIG. 1. The broken lines in the center of the Figure are shown to define a boundary around a portion of the article which is not part of the claimed design. The area within the broken line boundary is not part of the claimed design.

(51) **LOC (9) Cl.** ..... **15-03**

(52) **U.S. Cl.** ..... **D15/28**

(58) **Field of Classification Search** ..... D15/10,  
D15/17, 22-26, 28; D12/192; D13/184,  
D13/162, 164; D14/247, 285, 415; D10/125;  
D34/28, 35; 220/811; 180/315, 89.1, 89.12,  
180/235, 900; 414/273, 495, 454, 459, 460,  
414/719, 694, 699, 722-724; 212/324, 326,  
212/327

FIG. 3 is a bottom view of the base for control panel for a construction machine of FIG. 1. The broken lines in the center of the Figure are shown to define a boundary around a portion of the article which is not part of the claimed design. The area within the broken line boundary is not part of the claimed design.

See application file for complete search history.

FIG. 4 is a rear side elevation view of the base for control panel for a construction machine of FIG. 1.

(56) **References Cited**

**U.S. PATENT DOCUMENTS**

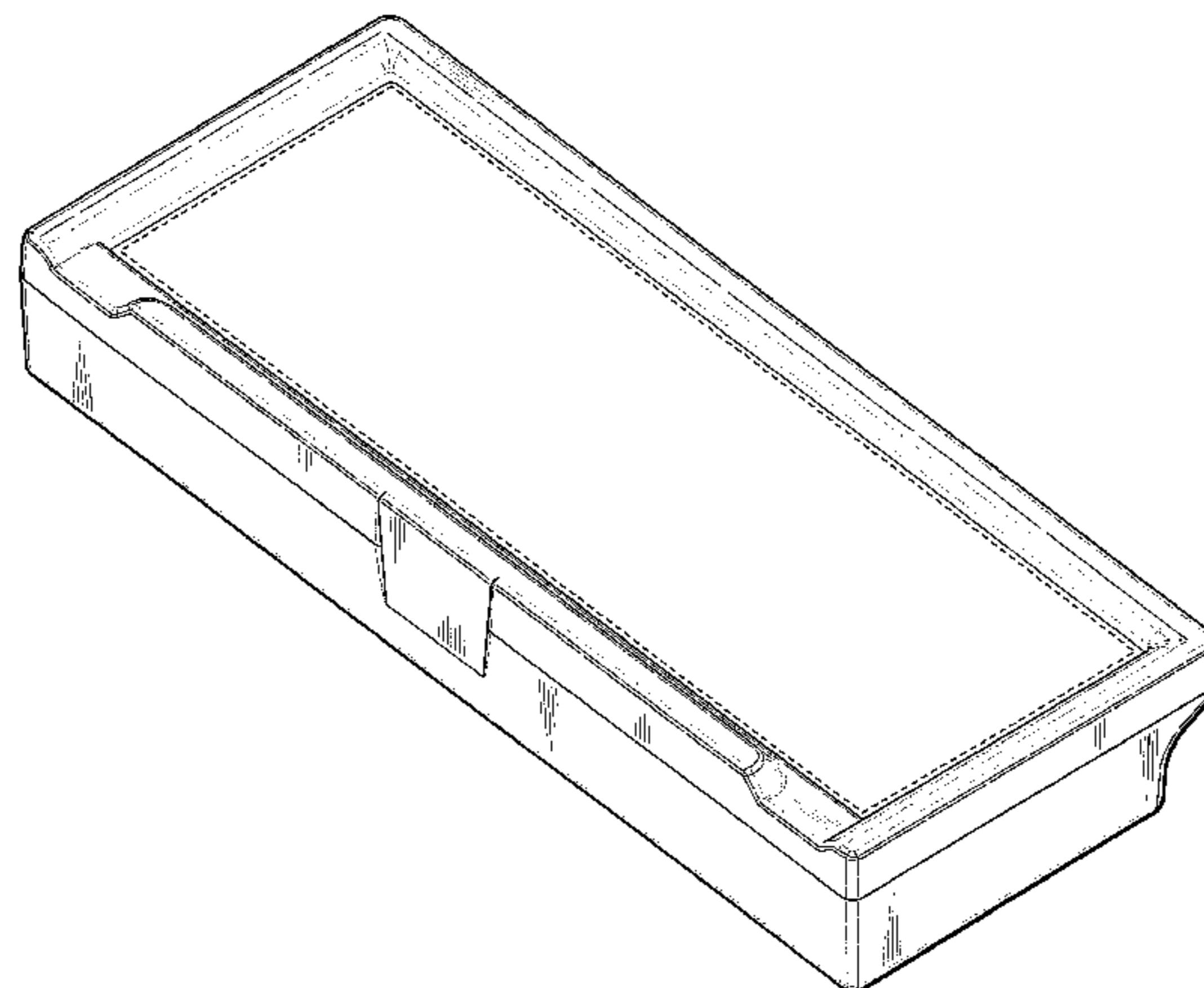
D284,577 S \* 7/1986 DuBose ..... D15/28  
D287,360 S \* 12/1986 Lehmann ..... D13/184  
D311,520 S \* 10/1990 Serio, Jr. .... D13/184  
D356,095 S \* 3/1995 Innes ..... D15/31

FIG. 5 is a front side elevation view of the base for control panel for a construction machine of FIG. 1.

FIG. 6 is a left end elevation view of the base for control panel for a construction machine of FIG. 1; and,

FIG. 7 is a right end elevation view of the base for control panel for a construction machine of FIG. 1.

**1 Claim, 5 Drawing Sheets**



# US D627,799 S

Page 2

---

## U.S. PATENT DOCUMENTS

D462,063 S *	8/2002	Bohne .....	D14/125	D558,685 S *	1/2008	Peterson .....	D13/162
D485,810 S *	1/2004	Fiocchi .....	D13/184	D558,798 S *	1/2008	Sakitani et al. ....	D15/28
D486,161 S *	2/2004	Greene .....	D15/28	D561,114 S *	2/2008	Peterson .....	D13/162
D508,499 S *	8/2005	Kurtz, Jr. ....	D15/31	D564,972 S *	3/2008	Peterson .....	D13/162
D511,150 S *	11/2005	Nurmi et al. ....	D13/184	D567,258 S *	4/2008	Wilkins .....	D15/17
D513,497 S *	1/2006	Whitehouse .....	D13/162	D567,776 S *	4/2008	Wells .....	D13/184
D518,451 S *	4/2006	Nussberger et al. ....	D13/184	D578,274 S *	10/2008	Tokach et al. ....	D34/35
D533,092 S *	12/2006	Disselkoen et al. ....	D10/50	D587,286 S *	2/2009	Jurasz et al. ....	D15/28
D542,745 S *	5/2007	Barnes et al. ....	D13/184	D588,061 S *	3/2009	Bao et al. ....	D13/122
D543,558 S *	5/2007	Dolesh et al. ....	D15/28	D588,062 S *	3/2009	Bao et al. ....	D13/122
D550,167 S *	9/2007	Popa .....	D13/164	2006/0243270 A1*	11/2006	Moskwa et al. ....	126/194
D555,676 S *	11/2007	Haubrich et al. ....	D15/28				

\* cited by examiner

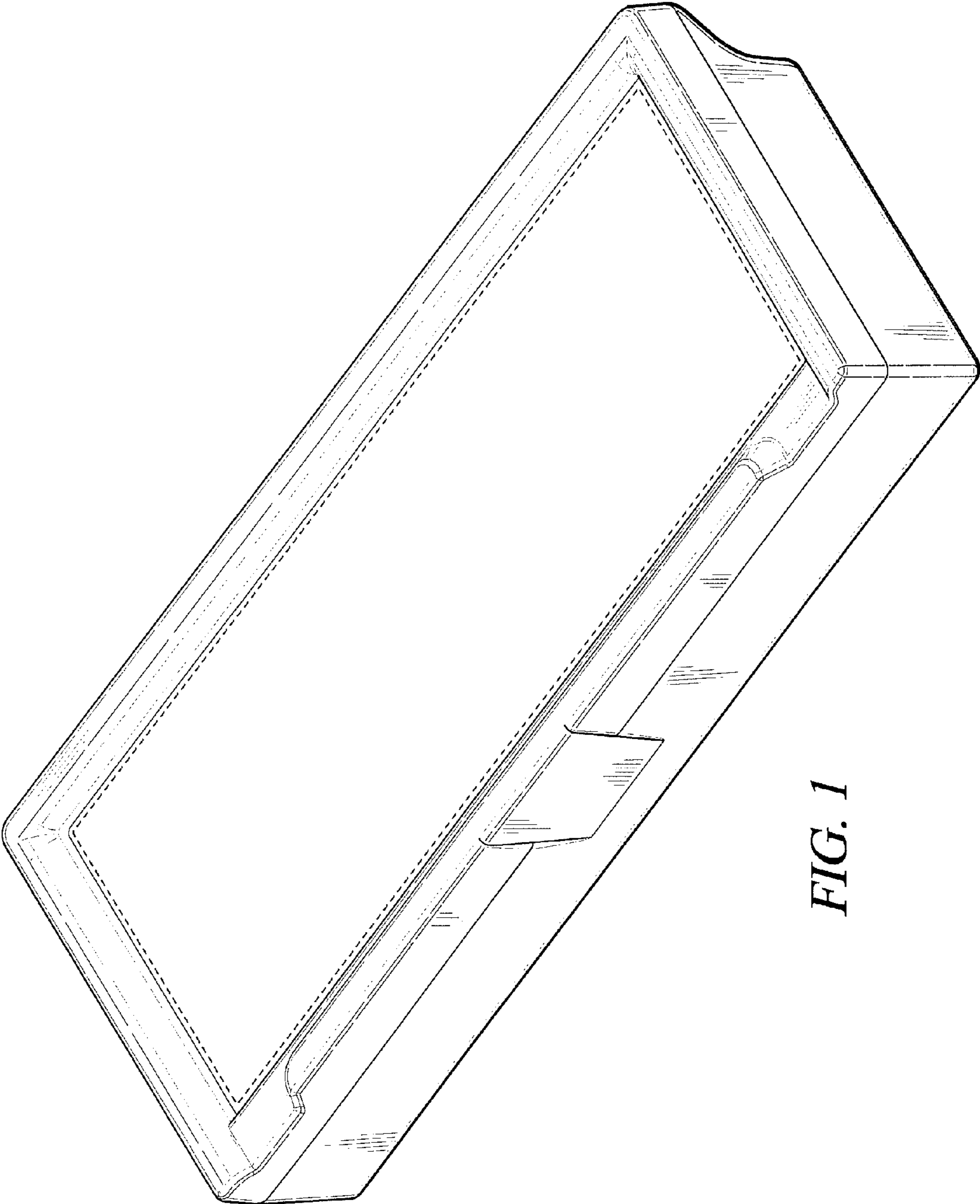


FIG. 1

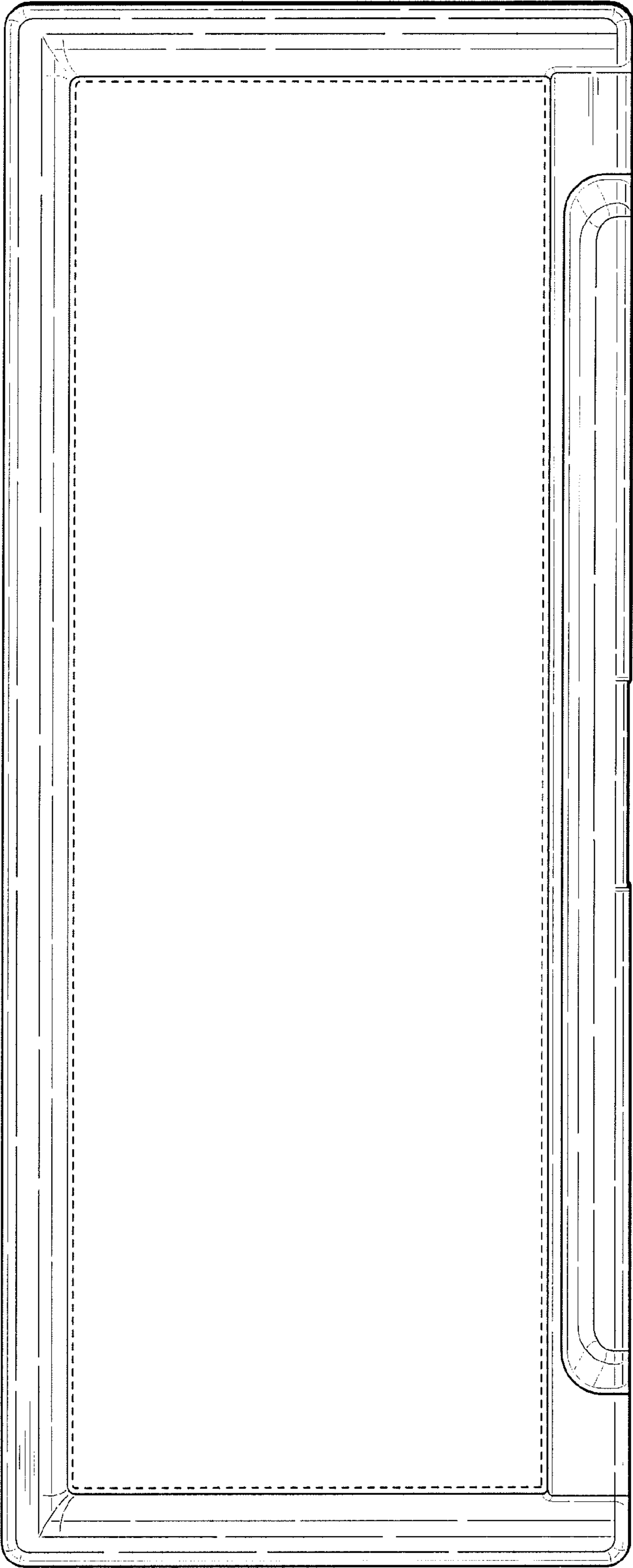
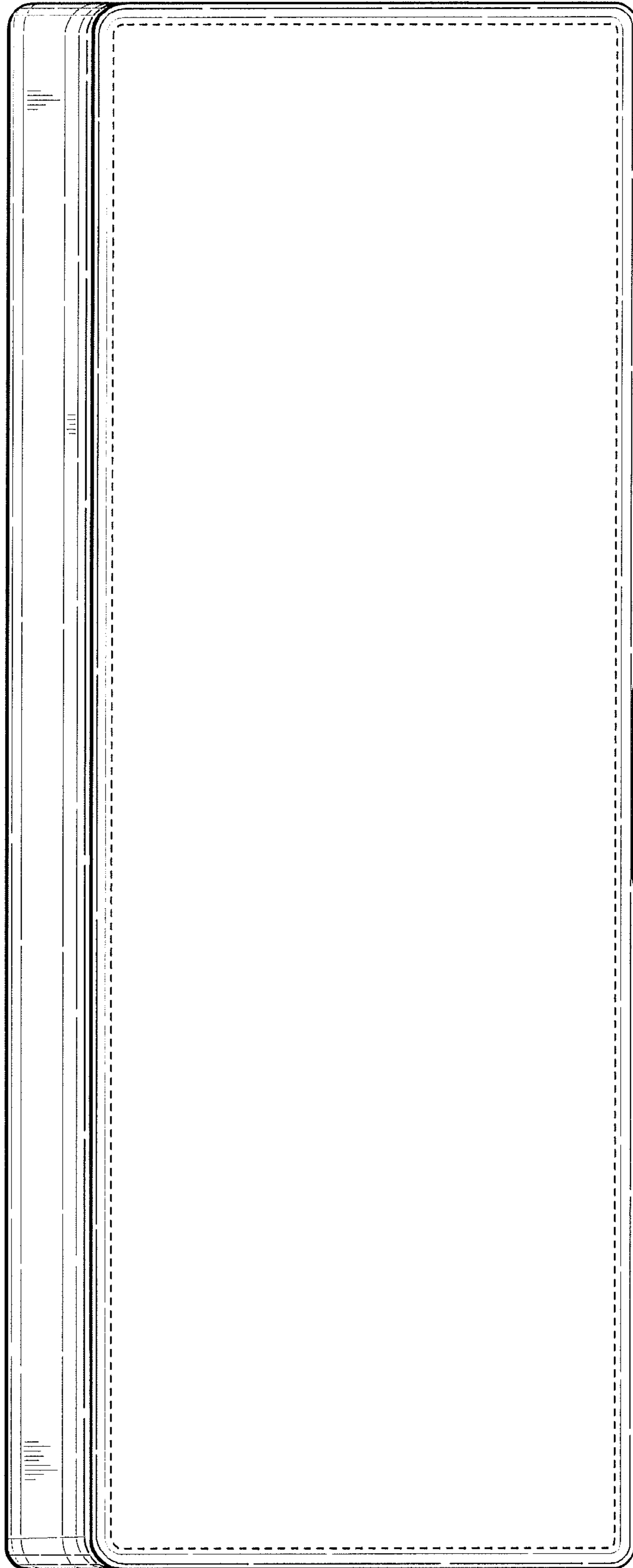


FIG. 2



*FIG. 3*

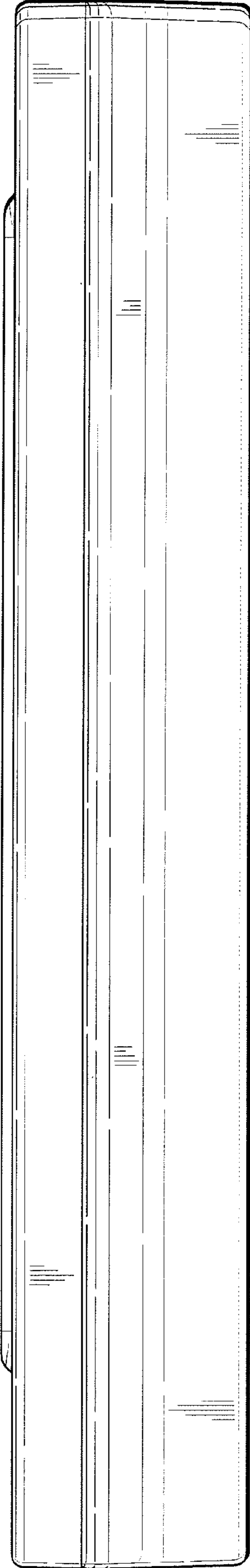


FIG. 4

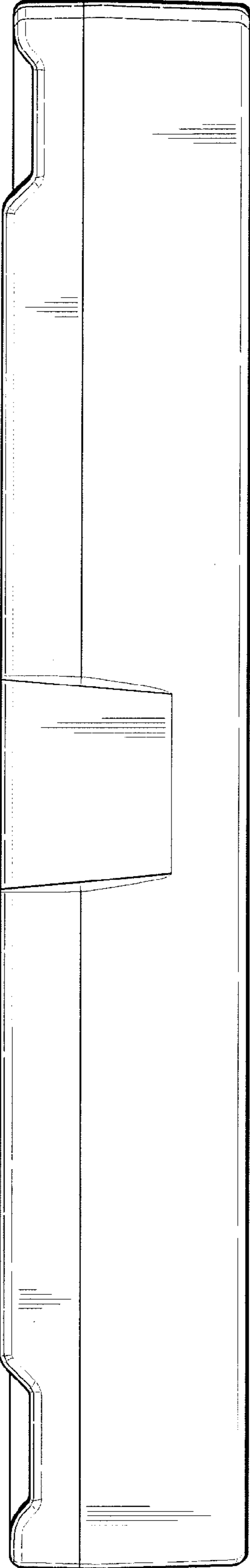
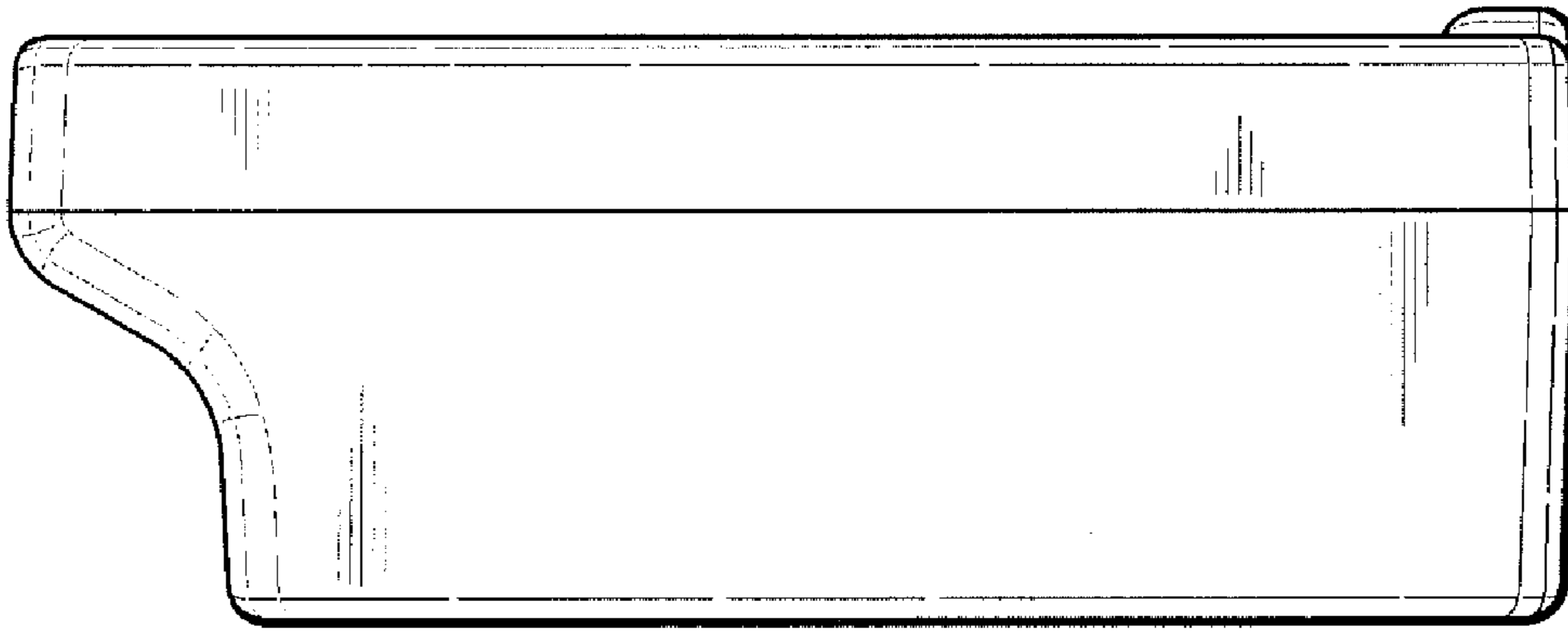
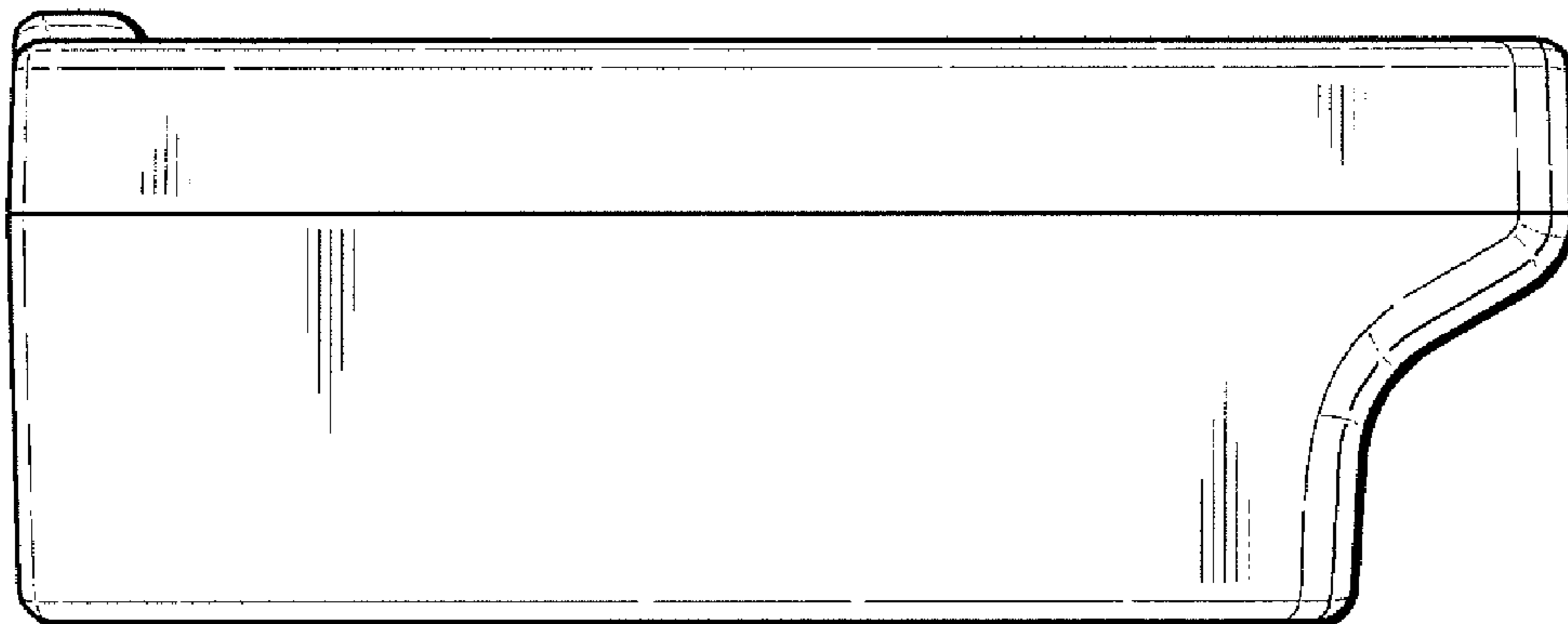


FIG. 5



*FIG. 6*



*FIG. 7*

UNITED STATES PATENT AND TRADEMARK OFFICE  
**CERTIFICATE OF CORRECTION**

PATENT NO. : D627,799 S  
APPLICATION NO. : 29/358511  
DATED : November 23, 2010  
INVENTOR(S) : Berning et al.

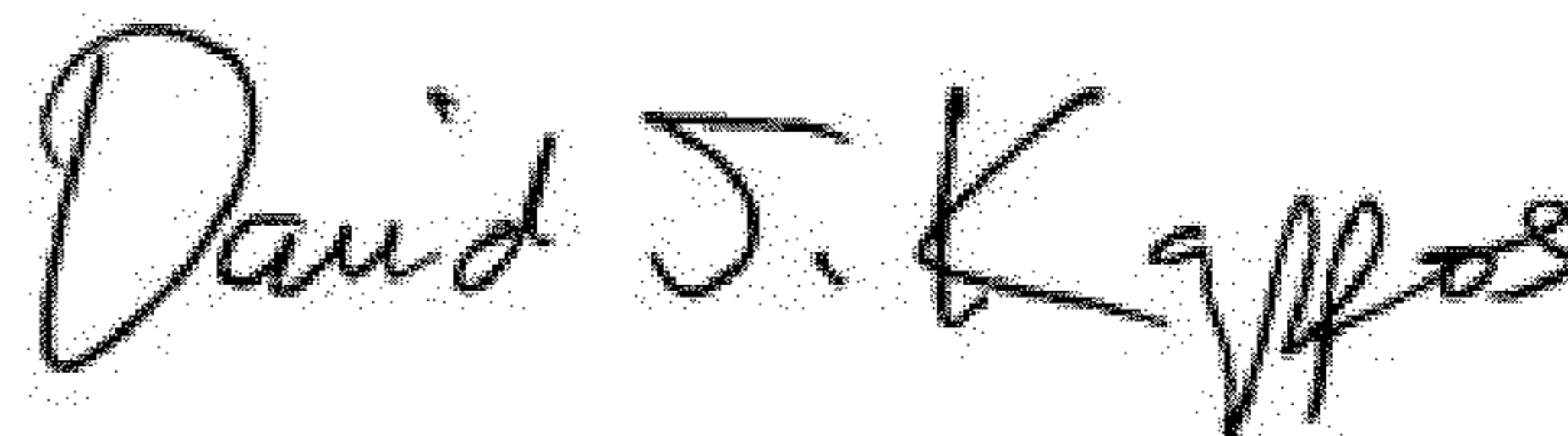
Page 1 of 1

It is certified that error appears in the above-identified patent and that said Letters Patent is hereby corrected as shown below:

Title Page, column 1, in item (30), 9th line thereof, delete:

“Sep. 30, 2009 (EM).....001617994”

Signed and Sealed this  
First Day of May, 2012

A handwritten signature in black ink that reads "David J. Kappos". The signature is written in a cursive, slightly slanted style.

David J. Kappos  
*Director of the United States Patent and Trademark Office*