



US00D627798S

(12) **United States Design Patent**
Berning et al.

(10) **Patent No.:** **US D627,798 S**
(45) **Date of Patent:** **** Nov. 23, 2010**

(54) **COVER FOR CONTROL PANEL FOR A CONSTRUCTION MACHINE**

(75) Inventors: **Christian Berning**, Zülpich (DE);
Thomas Kramer, Königswinter (DE);
Cyrus Barimani, Königswinter (DE);
Günter Hähn, Königswinter (DE)

(73) Assignee: **Wirtgen GmbH** (DE)

(**) Term: **14 Years**

(21) Appl. No.: **29/358,505**

(22) Filed: **Mar. 29, 2010**

(51) **LOC (9) Cl.** **15-03**

(52) **U.S. Cl.** **D15/28**

(58) **Field of Classification Search** D15/10,
D15/17, 22-26, 28; D12/192; D13/184,
D13/162, 164; D14/247, 285, 415; D10/125;
D34/28, 35; 220/811; 180/315, 89.1, 89.12,
180/235, 900; 414/273, 495, 454, 459, 460,
414/719, 694, 699, 722-724; 212/324, 326,
212/327

See application file for complete search history.

(56) **References Cited**

U.S. PATENT DOCUMENTS

D284,577 S * 7/1986 DuBose D15/28
D287,360 S * 12/1986 Lehmann D13/184
D311,520 S * 10/1990 Serio, Jr. D13/184

(Continued)

Primary Examiner—Mark A Goodwin

(74) *Attorney, Agent, or Firm*—Waddey & Patterson, P.C.;
Lucian Wayne Beavers

(57) **CLAIM**

What is claimed is the ornamental design for a cover for control panel for a construction machine, as shown and described.

DESCRIPTION

FIG. 1 is a top front perspective view of the cover for control panel for a construction machine. The broken lines showing a protruding tab are shown for environmental purposes only and form no part of the claimed design.

FIG. 2 is a top plan view of the cover for control panel for a construction machine of FIG. 1. The broken lines showing a protruding tab are shown for environmental purposes only and form no part of the claimed design.

FIG. 3 is a bottom view of the cover for control panel for a construction machine of FIG. 1. The broken lines showing a protruding tab are shown for environmental purposes only and form no part of the claimed design. The broken lines in the center of the Figure are shown to define a boundary around a portion of the article which is not part of the claimed design. The area within the broken line boundary is not part of the claimed design.

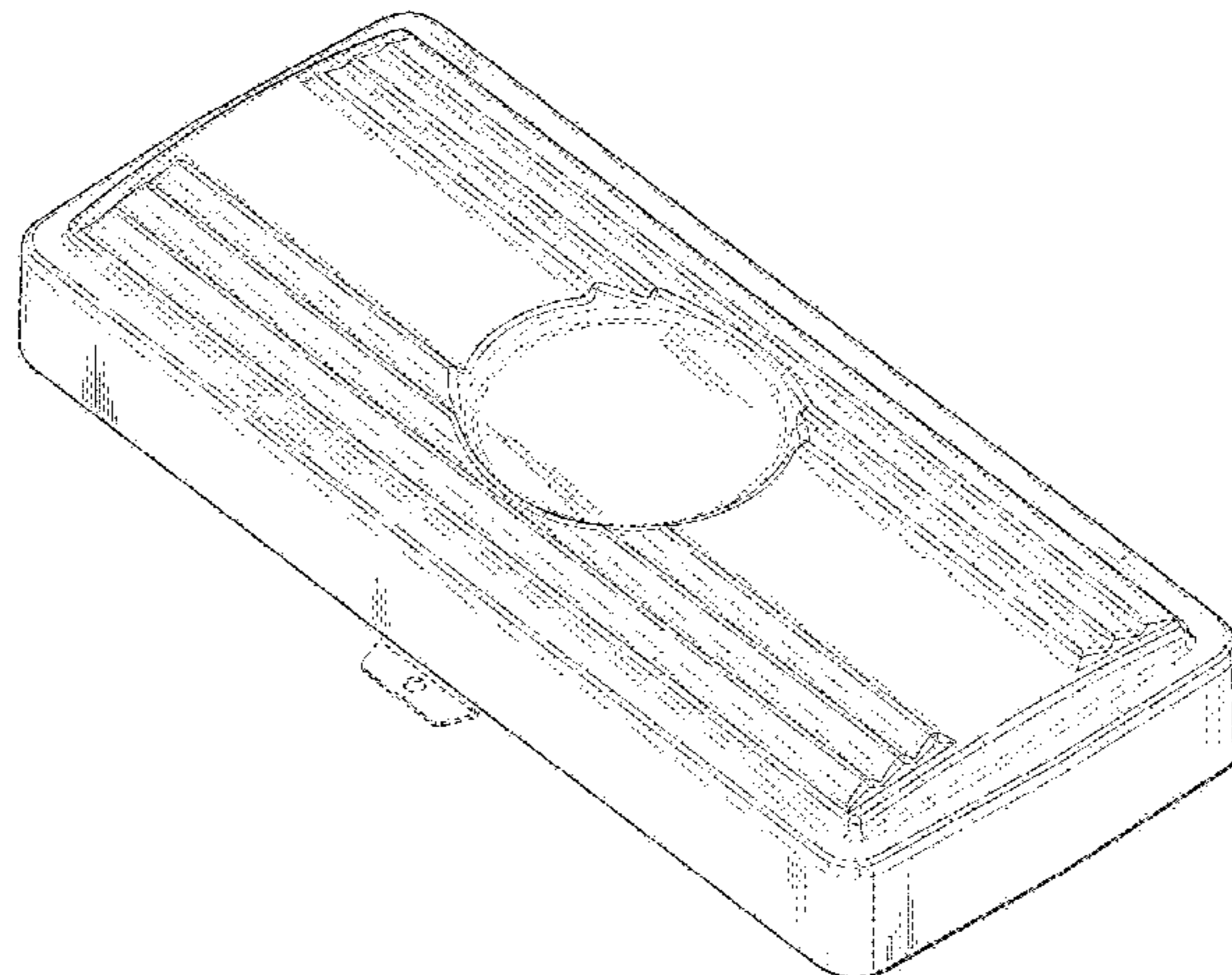
FIG. 4 is a rear side elevation view of the cover for control panel for a construction machine of FIG. 1. The broken lines below the bottom of the article are shown for environmental purposes only and form no part of the claimed design.

FIG. 5 is a front side elevation view of the cover for control panel for a construction machine of FIG. 1. The broken lines below the bottom of the article are shown for environmental purposes only and form no part of the claimed design.

FIG. 6 is a left end elevation view of the cover for control panel for a construction machine of FIG. 1. The broken lines below the bottom of the article are shown for environmental purposes only and form no part of the claimed design; and,

FIG. 7 is a right end elevation view of the cover for control panel for a construction machine of FIG. 1. The broken lines below the bottom of the article are shown for environmental purposes only and form no part of the claimed design.

1 Claim, 5 Drawing Sheets



US D627,798 S

Page 2

U.S. PATENT DOCUMENTS

D356,095 S *	3/1995	Innes	D15/31	D550,167 S *	9/2007	Popa	D13/164
D380,199 S *	6/1997	Beruscha et al.	D13/184	D555,676 S *	11/2007	Haubrich et al.	D15/28
D456,364 S *	4/2002	Suen	D13/162	D558,685 S *	1/2008	Peterson	D13/162
D462,063 S *	8/2002	Bohne	D14/125	D558,798 S *	1/2008	Sakitani et al.	D15/28
D485,810 S *	1/2004	Fiocchi	D13/184	D561,114 S *	2/2008	Peterson	D13/162
D486,161 S *	2/2004	Greene	D15/28	D564,972 S *	3/2008	Peterson	D13/162
D508,499 S *	8/2005	Kurtz, Jr.	D15/31	D567,258 S *	4/2008	Wilkins	D15/17
D511,150 S *	11/2005	Nurmi et al.	D13/184	D567,776 S *	4/2008	Wells	D13/184
D513,497 S *	1/2006	Whitehouse	D13/162	D578,274 S *	10/2008	Tokach et al.	D34/35
D518,451 S *	4/2006	Nussberger et al.	D13/184	D587,286 S *	2/2009	Jurasz et al.	D15/28
D533,092 S *	12/2006	Disselkoen et al.	D10/50	D588,061 S *	3/2009	Bao et al.	D13/122
D542,745 S *	5/2007	Barnes et al.	D13/184	D588,062 S *	3/2009	Bao et al.	D13/122
D543,558 S *	5/2007	Dolesh et al.	D15/28	2006/0243270 A1 *	11/2006	Moskwa et al.	126/194

* cited by examiner

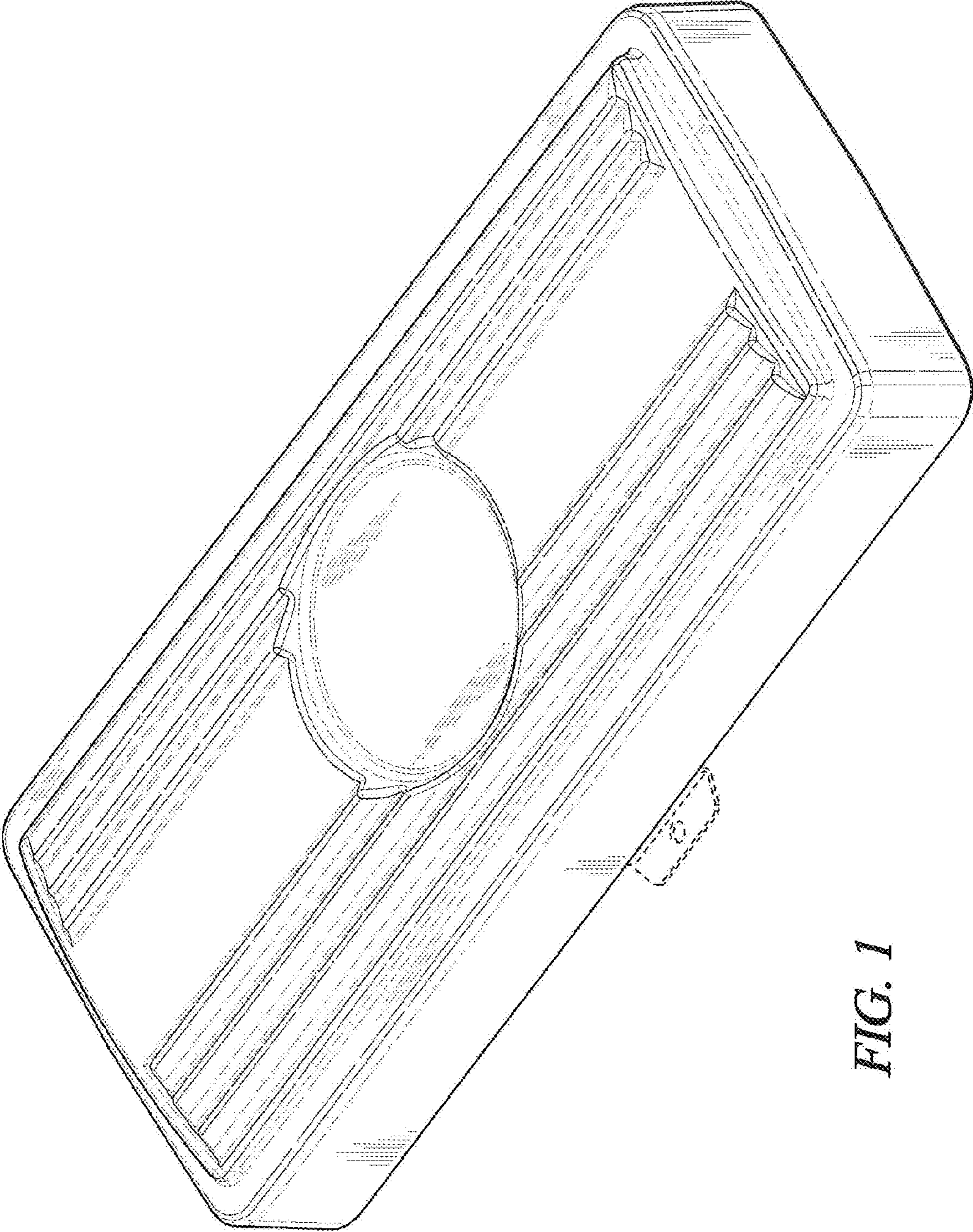


FIG. 1

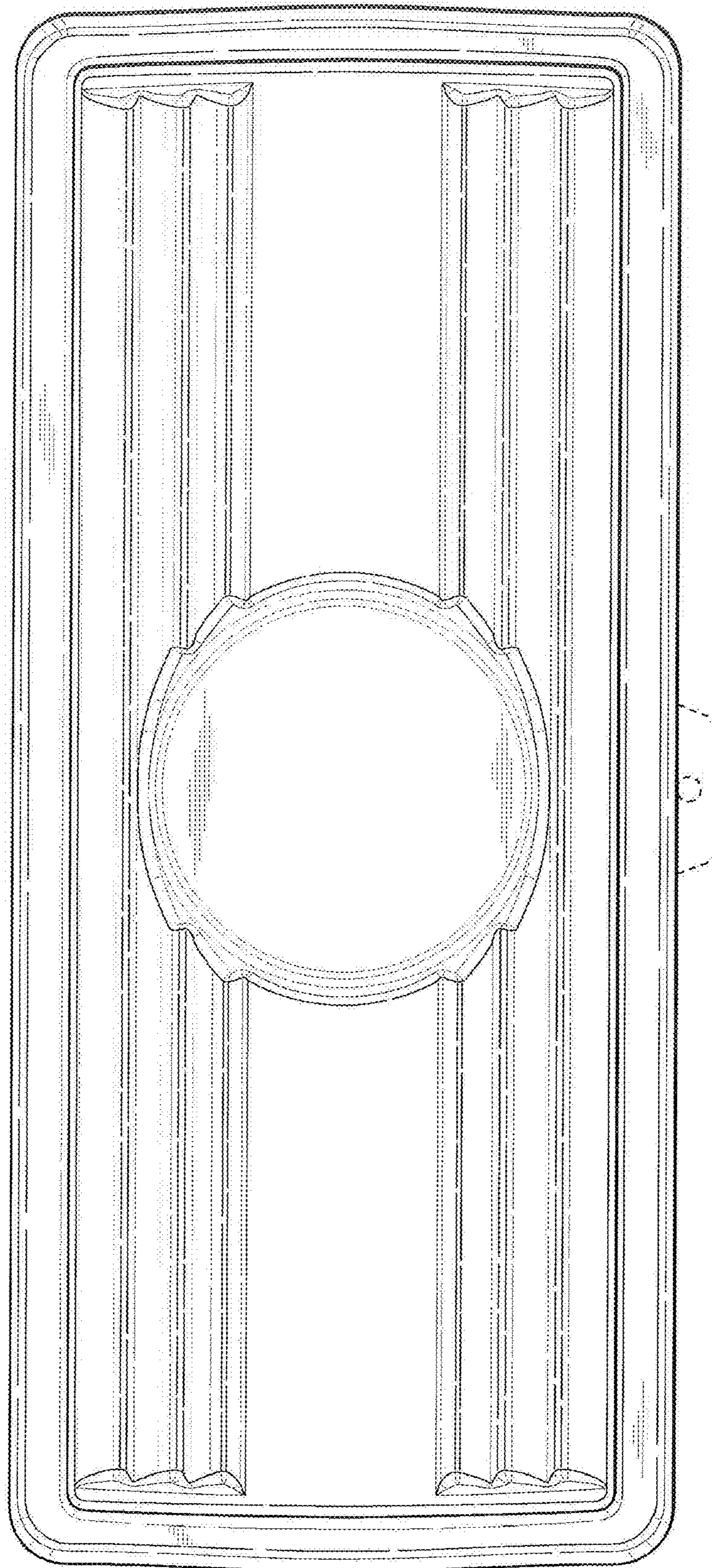


FIG. 2

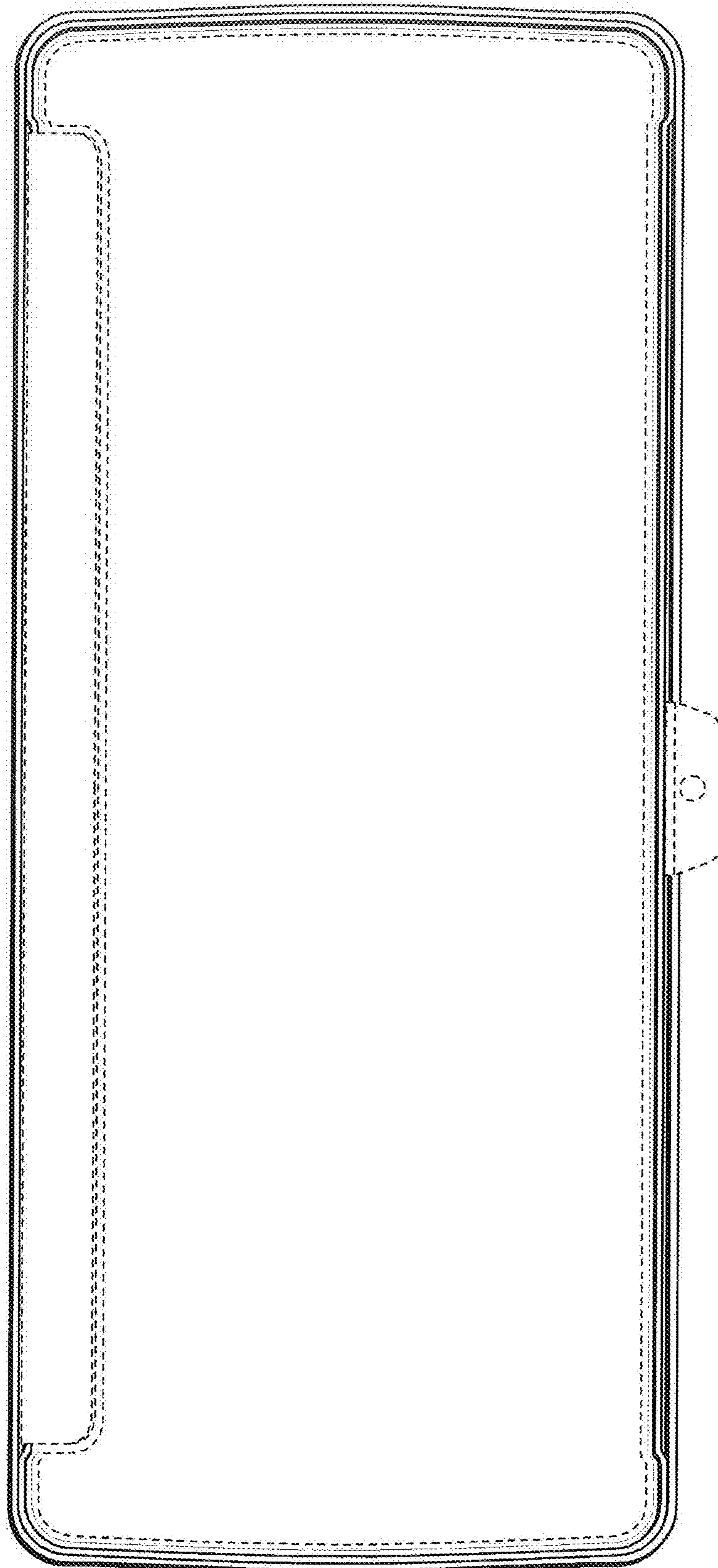


FIG. 3

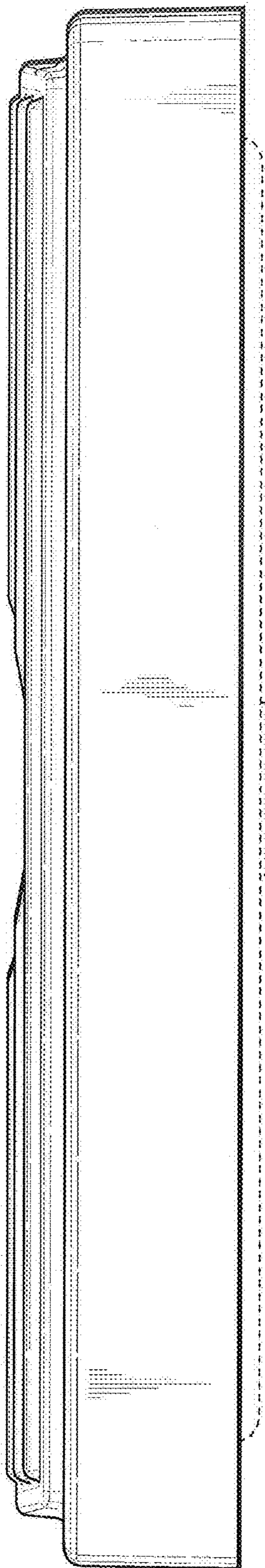


FIG. 4

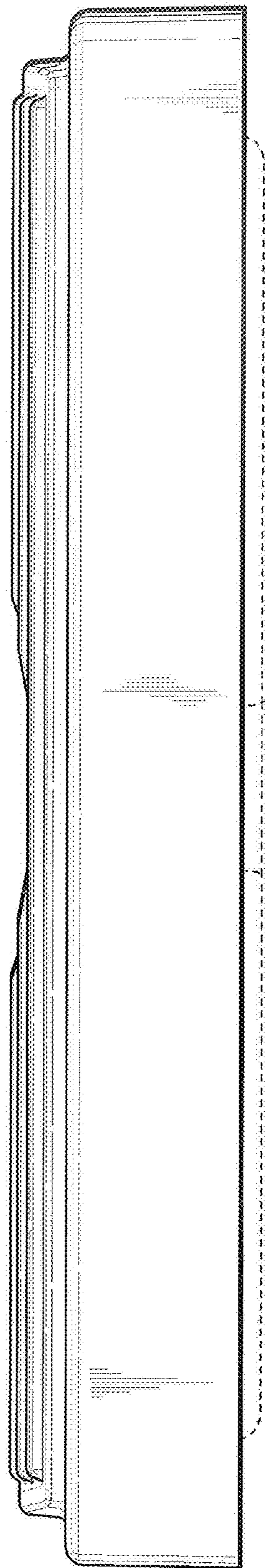


FIG. 5

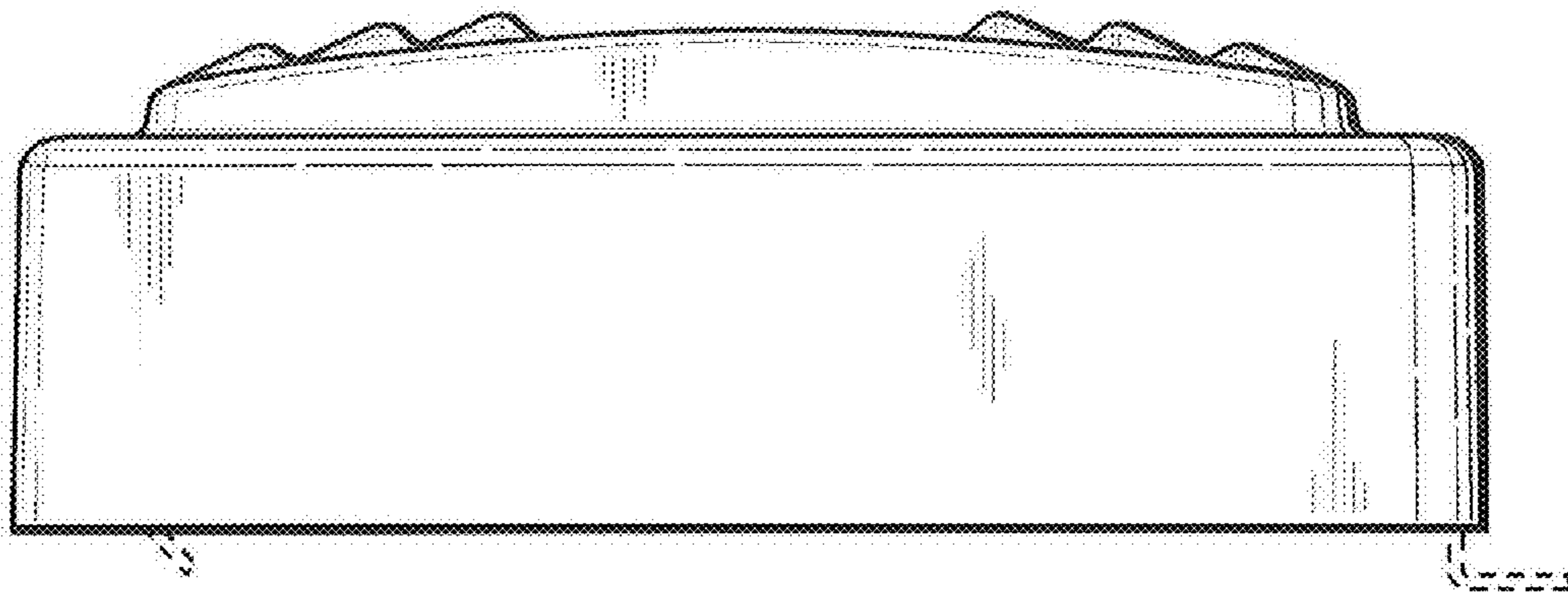


FIG. 6

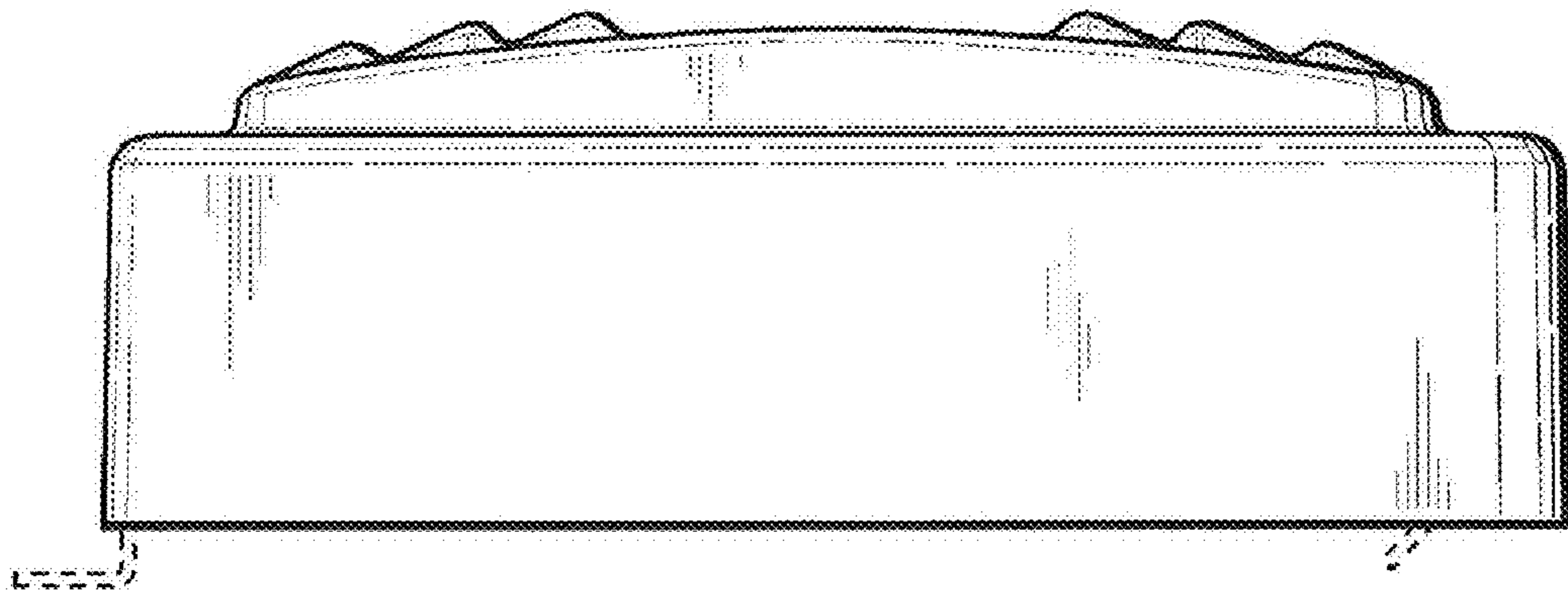


FIG. 7

UNITED STATES PATENT AND TRADEMARK OFFICE
CERTIFICATE OF CORRECTION

PATENT NO. : D627,798 S
APPLICATION NO. : 29/358505
DATED : November 23, 2010
INVENTOR(S) : Berning et al.

Page 1 of 1

It is certified that error appears in the above-identified patent and that said Letters Patent is hereby corrected as shown below:

Page 1, column 1, after line (22) insert:

--(30) Foreign Application Priority Data

Sep. 30, 2009 (EM).....001617846-0001
Sep. 30, 2009 (EM).....001617846-0002
Sep. 30, 2009 (EM).....001617846-0003
Sep. 30, 2009 (EM).....001617846-0004
Sep. 30, 2009 (EM).....001617846-0005
Sep. 30, 2009 (EM).....001617846-0006
Sep. 30, 2009 (EM).....001617846-0007--

Signed and Sealed this
Second Day of April, 2013



Teresa Stanek Rea
Acting Director of the United States Patent and Trademark Office