



US00D627794S

(12) **United States Design Patent**  
**Yokoyama**

(10) **Patent No.:** **US D627,794 S**

(45) **Date of Patent:** **\*\* Nov. 23, 2010**

(54) **COMBINED MONITOR DISPLAY AND DISC  
PLAYER**

(75) Inventor: **Hiroaki Yokoyama**, Tokyo (JP)

(73) Assignee: **Sony Corporation**, Tokyo (JP)

(\*\*) Term: **14 Years**

(21) Appl. No.: **29/347,357**

(22) Filed: **Dec. 14, 2009**

(30) **Foreign Application Priority Data**

Jun. 19, 2009 (CN) ..... 200930181714

(51) **LOC (9) Cl.** ..... **14-01**

(52) **U.S. Cl.** ..... **D14/511; D14/168**

(58) **Field of Classification Search** ..... D14/496,  
D14/498-505, 511, 157, 167-168, 188, 197-198,  
D14/257-258; 360/99.02, 99.07; 369/75.11,  
369/75.21, 77.11, 77.21; 720/601, 612, 619,  
720/649, 655; 455/344, 347-351

See application file for complete search history.

(56) **References Cited**

**U.S. PATENT DOCUMENTS**

D427,987 S 7/2000 Tanaka et al.  
D450,317 S 11/2001 Uehara  
D475,690 S 6/2003 Nose et al.  
D516,577 S \* 3/2006 Matsuoka ..... D14/496  
D518,038 S 3/2006 Aono et al.

D531,983 S \* 11/2006 Akita ..... D14/188  
D531,990 S \* 11/2006 Kobayashi ..... D14/217  
D538,776 S 3/2007 Suzuki  
D576,979 S 9/2008 Yagihashi  
D585,437 S 1/2009 Yagihashi  
D605,660 S 12/2009 Yagihashi

**FOREIGN PATENT DOCUMENTS**

JP D1133829 \* 2/2002  
JP D1134044 \* 2/2002  
JP D1151950 \* 9/2002  
JP D1169322 \* 3/2003

\* cited by examiner

*Primary Examiner*—Nanda Bondade

(74) *Attorney, Agent, or Firm*—Rader, Fishman & Grauer  
PLLC

(57) **CLAIM**

The ornamental design for a combined monitor display and disc player, as shown and described.

**DESCRIPTION**

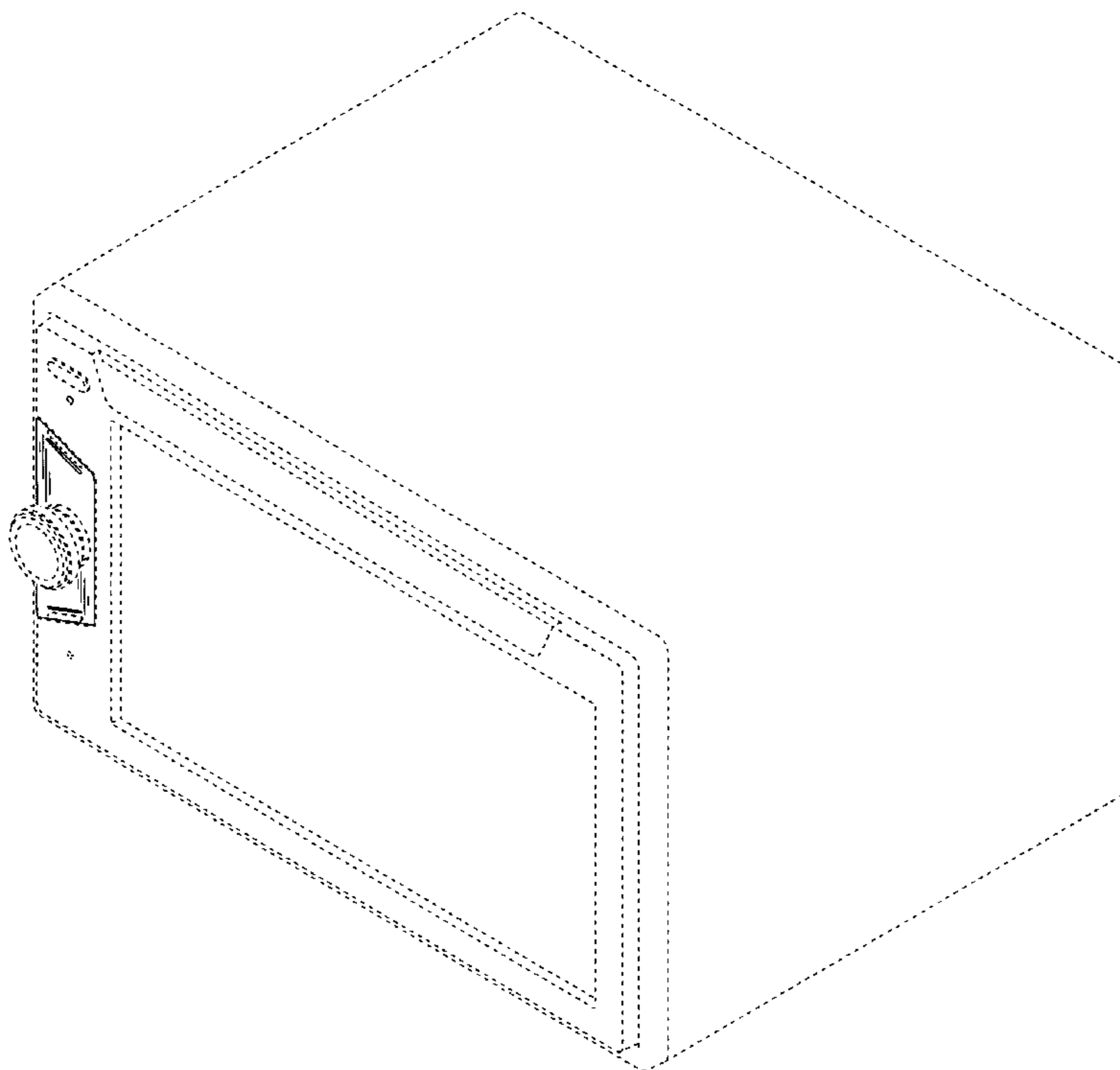
FIG. 1 is a perspective view of a combined monitor display and disc player showing my new design;

FIG. 2 is a front elevational view thereof; and,

FIG. 3 is a left side elevational view thereof.

The broken line showing on the drawing disclosure is for illustrative purposes only and forms no part of the claimed design.

**1 Claim, 3 Drawing Sheets**



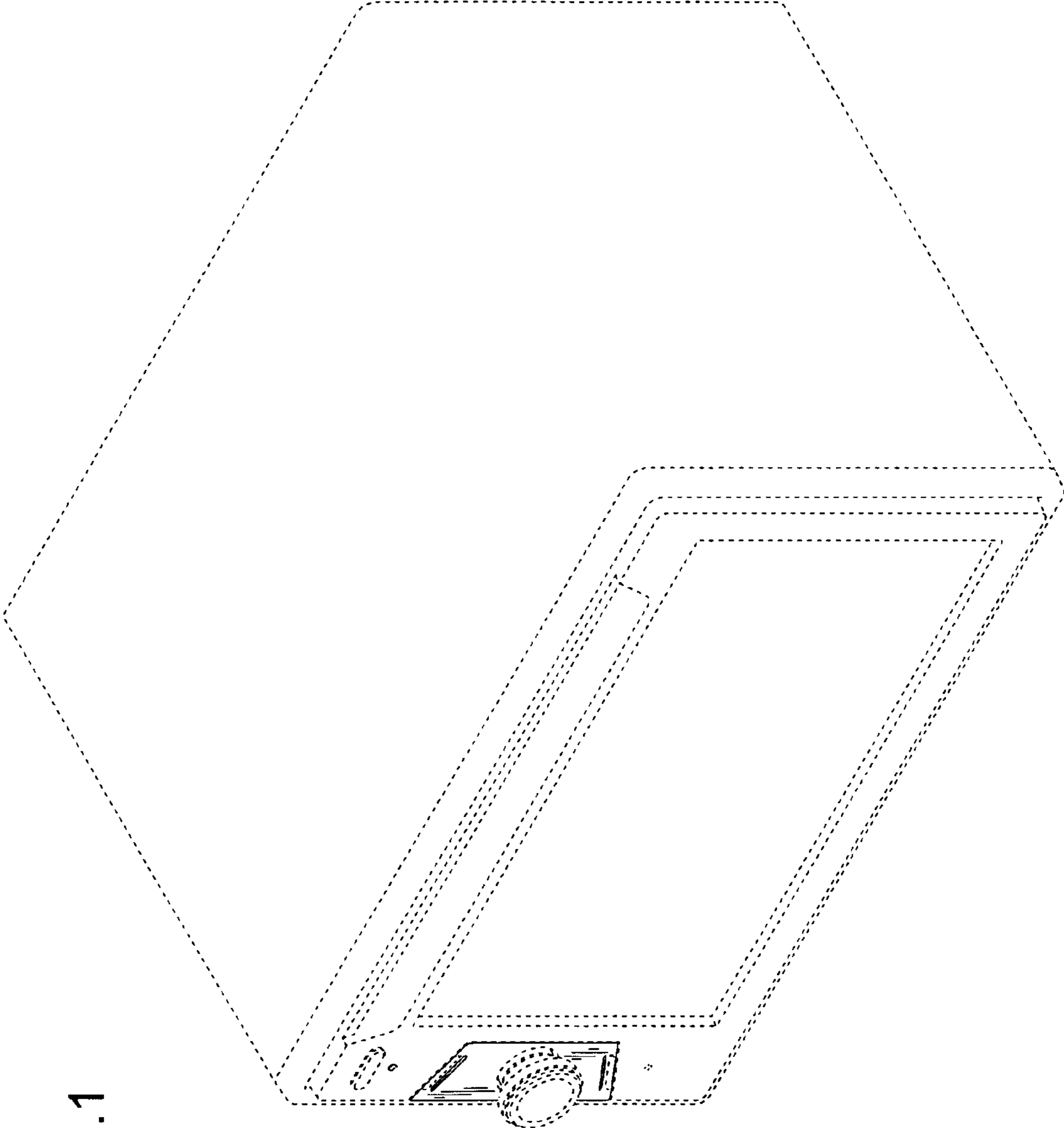


FIG.1

FIG.2

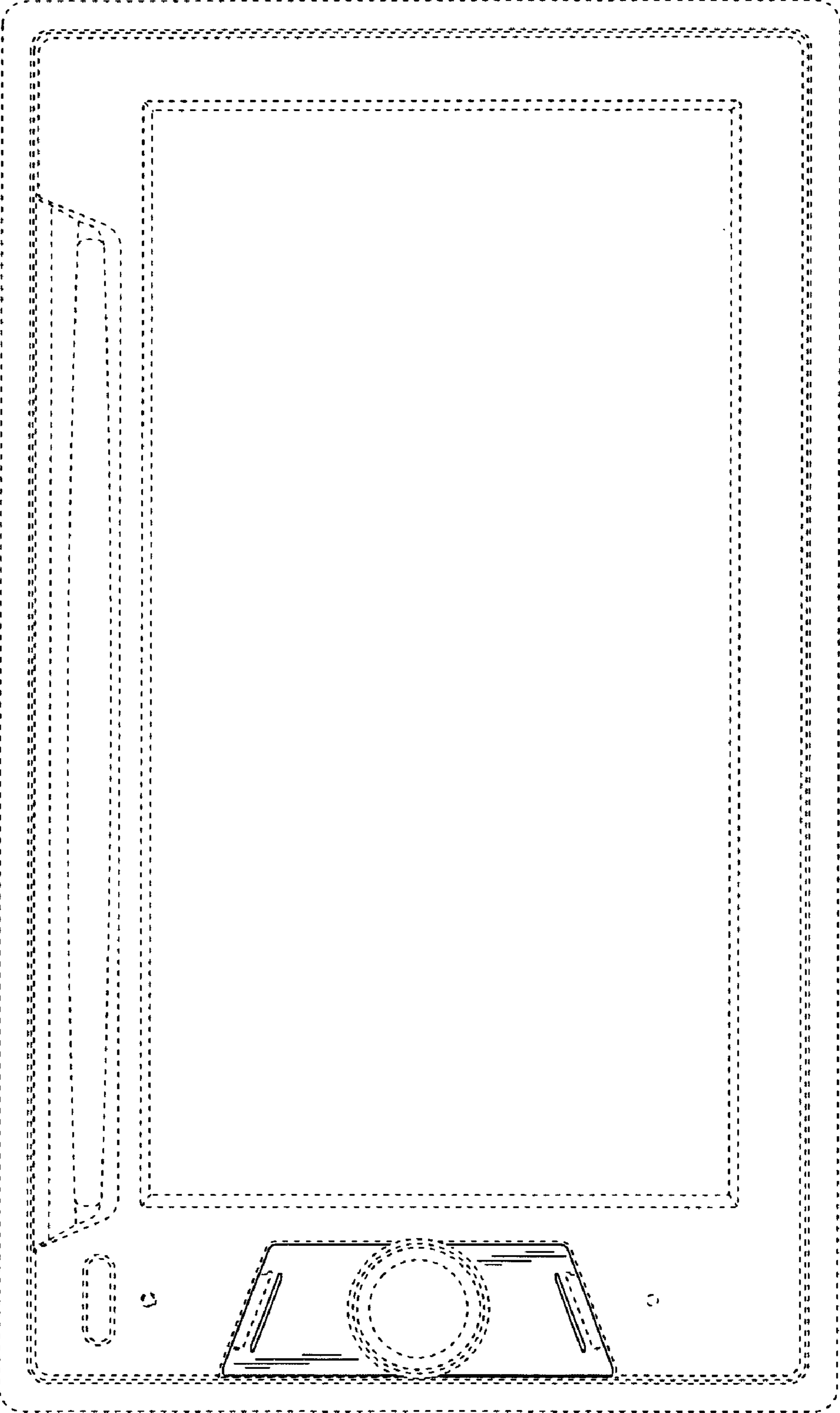


FIG.3

