



US00D627793S

(12) **United States Design Patent**
Otani

(10) **Patent No.:** **US D627,793 S**

(45) **Date of Patent:** **** Nov. 23, 2010**

(54) **AUDIO PLAYER**

D587,282 S * 2/2009 Kim et al. D14/499
D603,368 S 11/2009 Jang

(75) Inventor: **Yusuke Otani**, Tokyo (JP)

FOREIGN PATENT DOCUMENTS

(73) Assignee: **Sony Corporation**, Tokyo (JP)

JP	D1223308 S	11/2004
JP	D1257385 S	12/2005
JP	D1257745 S	12/2005
JP	D1276032 S	7/2006
JP	D1277332 S	7/2006
JP	D1288975 S	12/2006
JP	D1293364 S	2/2007
JP	D1302330 S	6/2007
JP	D1331000 S	5/2008
JP	D1337638 S	8/2008

(**) Term: **14 Years**

(21) Appl. No.: **29/347,352**

(22) Filed: **Dec. 14, 2009**

(51) **LOC (9) Cl.** **14-01**

(52) **U.S. Cl.** **D14/499**

(58) **Field of Classification Search** D14/496,
D14/498-511, 168, 172, 209.1, 214; 360/99.02,
360/99.07; 369/75.11, 75.21, 77.11, 77.21;
760/612, 619, 347, 655; 455/344, 347-351
See application file for complete search history.

* cited by examiner

Primary Examiner—Nanda Bondade

(74) *Attorney, Agent, or Firm*—Rader, Fishman & Grauer
PLLC

(56) **References Cited**

(57) **CLAIM**

U.S. PATENT DOCUMENTS

The ornamental design for an audio player, as shown and described.

D188,326 S	7/1960	Levy	
D379,007 S	* 4/1997	Obata D14/162
D380,757 S	7/1997	Mak	
D385,562 S	10/1997	Niiijima et al.	
D388,095 S	12/1997	Niiijima et al.	
D395,432 S	6/1998	Woolley et al.	
D401,580 S	11/1998	Goto	
D500,299 S	12/2004	Obata	
D508,041 S	* 8/2005	Carbone et al. D14/214
D510,347 S	10/2005	Martin	
D514,090 S	1/2006	Carbone et al.	
D519,977 S	5/2006	Oikawa	
D539,262 S	3/2007	Hyodo	
D560,208 S	1/2008	Skurdal	
D563,387 S	3/2008	Aquillano	
D563,388 S	3/2008	Aquillano	
D576,148 S	9/2008	Lee, Jr. et al.	
D577,002 S	9/2008	Kurihara	

DESCRIPTION

FIG. 1 is a perspective view of an audio player showing my new design;

FIG. 2 is a front elevational view thereof;

FIG. 3 is a left side elevational view thereof.

FIG. 4 is a right side elevational view thereof;

FIG. 5 is a top plan view thereof; and,

FIG. 6 is a bottom plan view thereof.

Portions in broken lines are for illustrative purpose only and form no part of the claimed design.

1 Claim, 6 Drawing Sheets

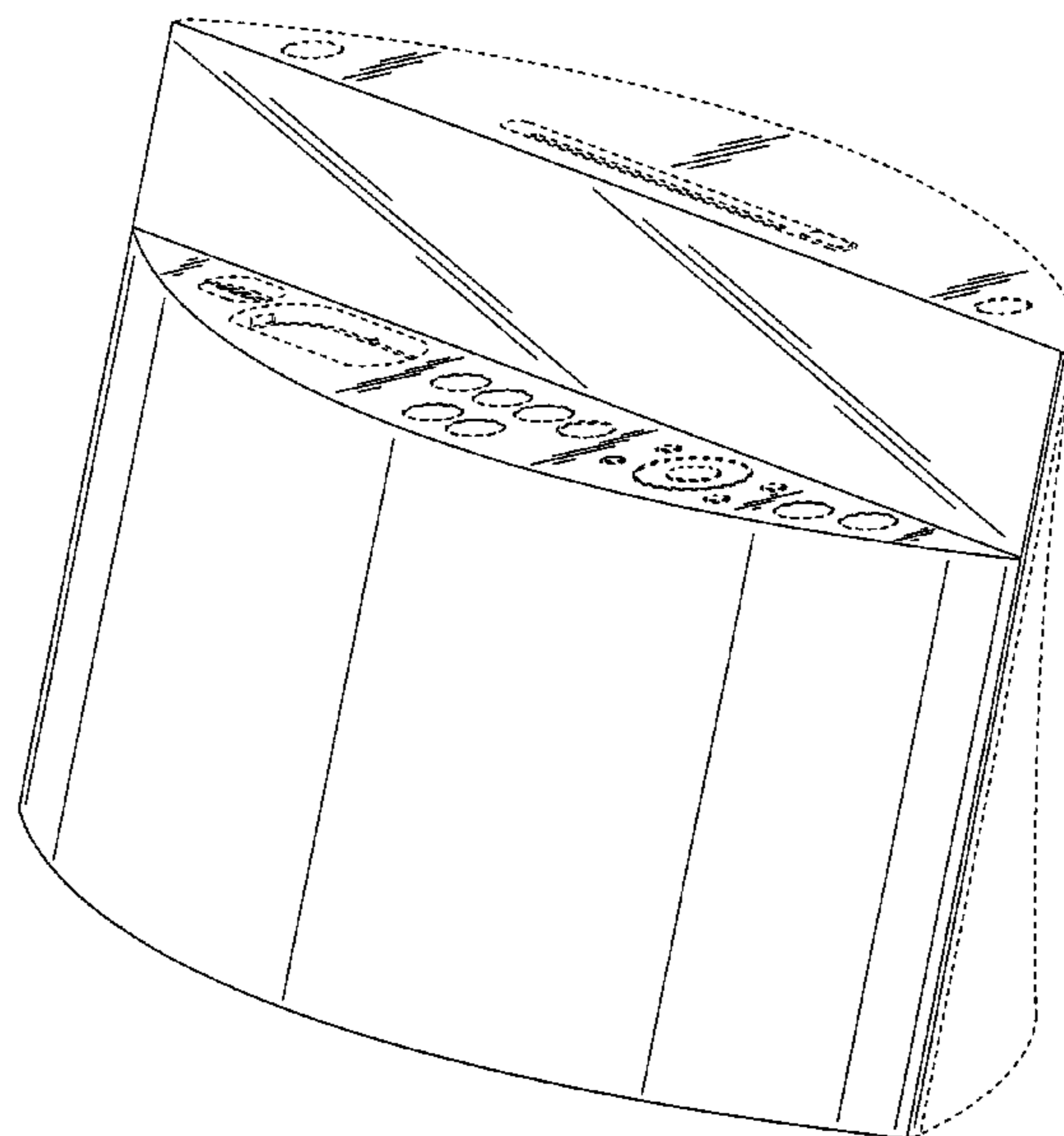


FIG.1

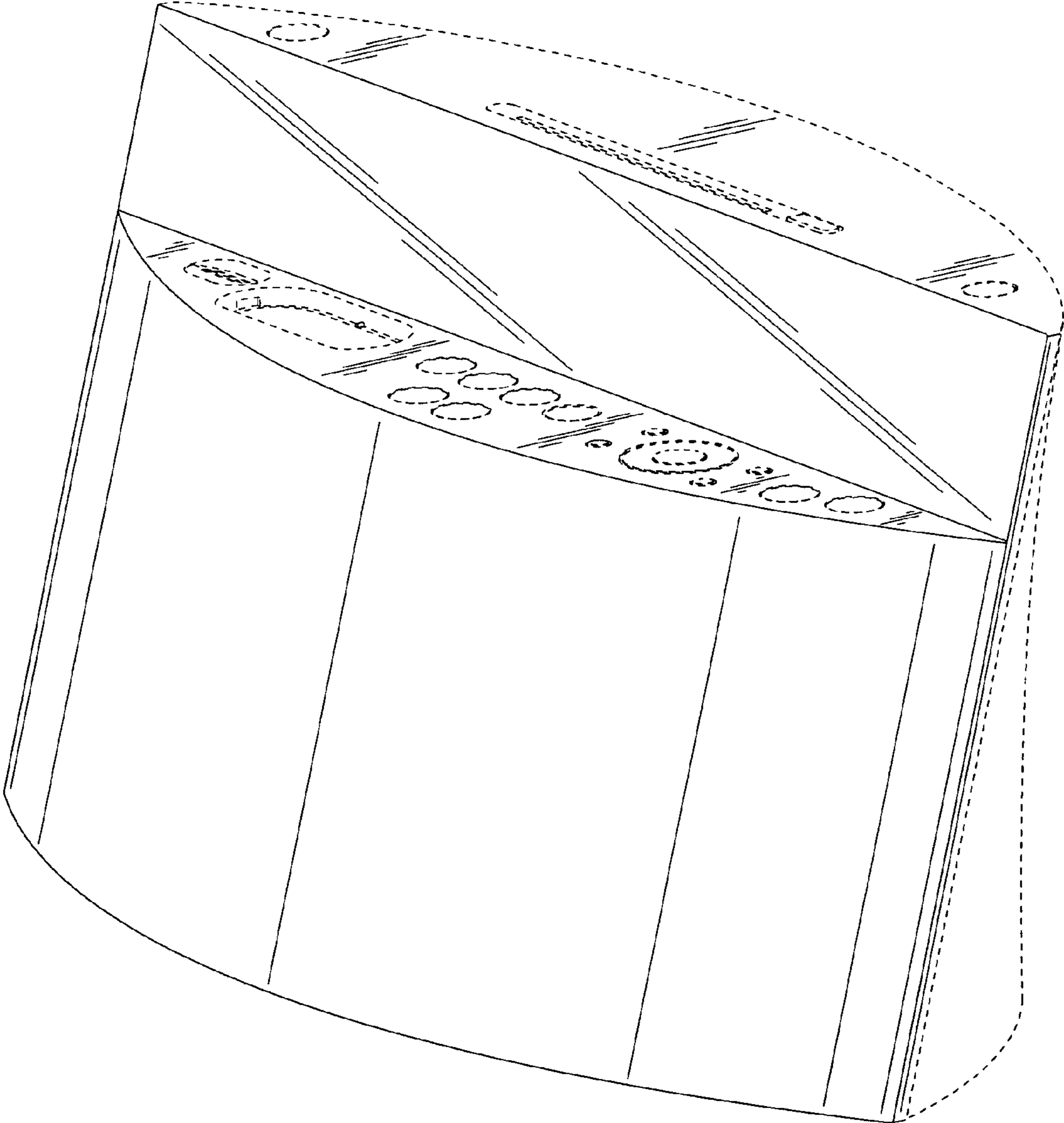


FIG.2

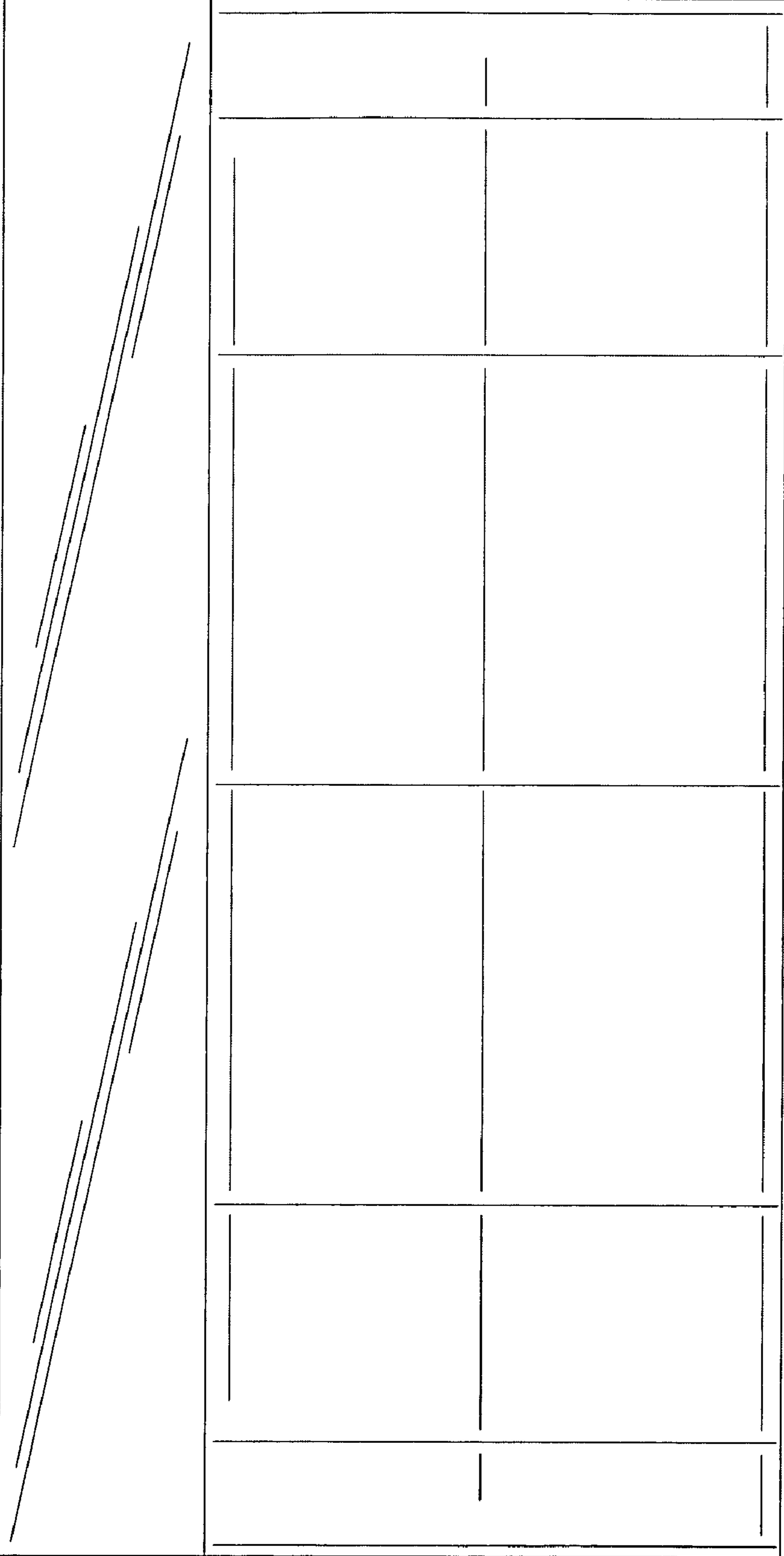


FIG.3

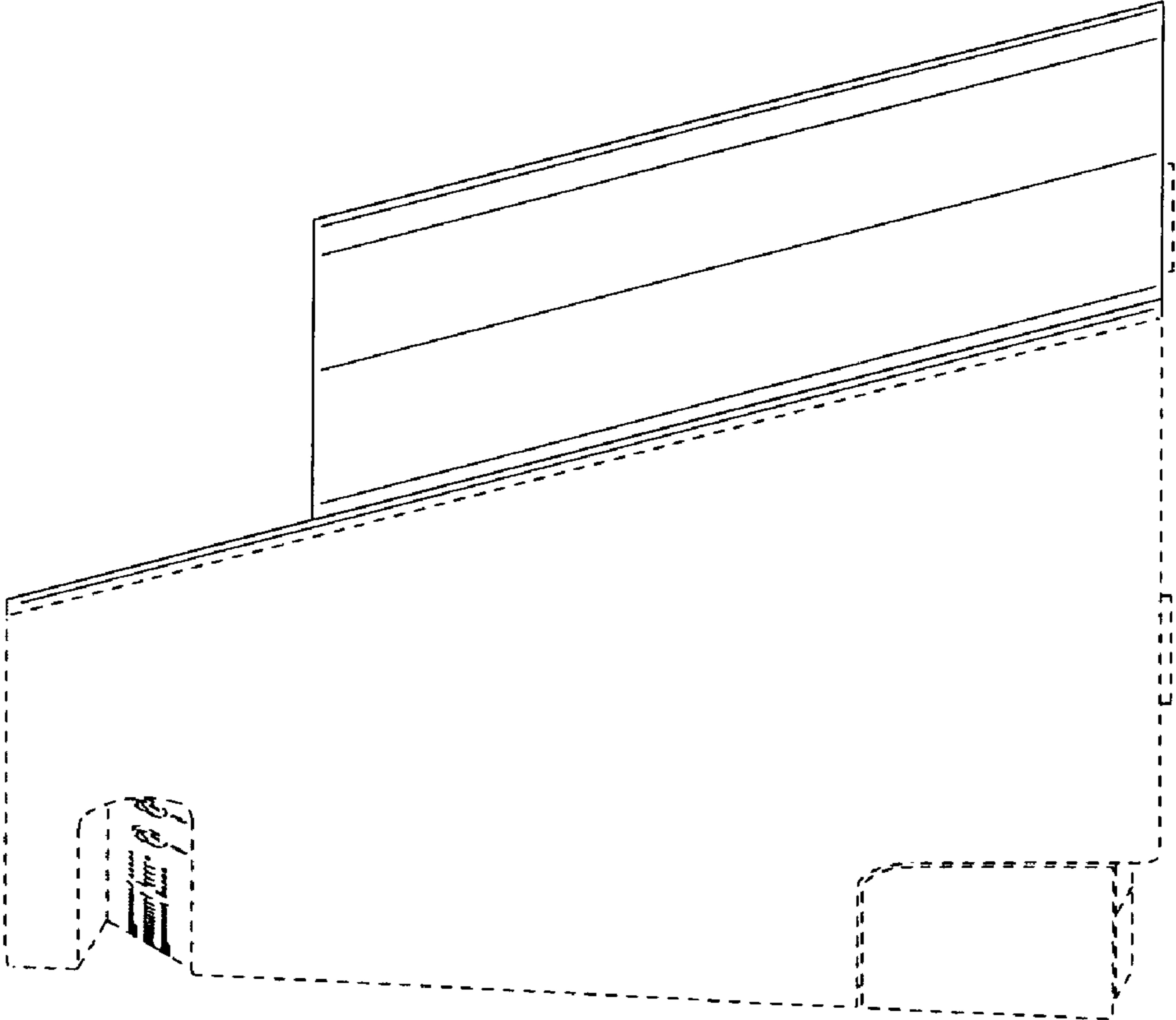


FIG.4

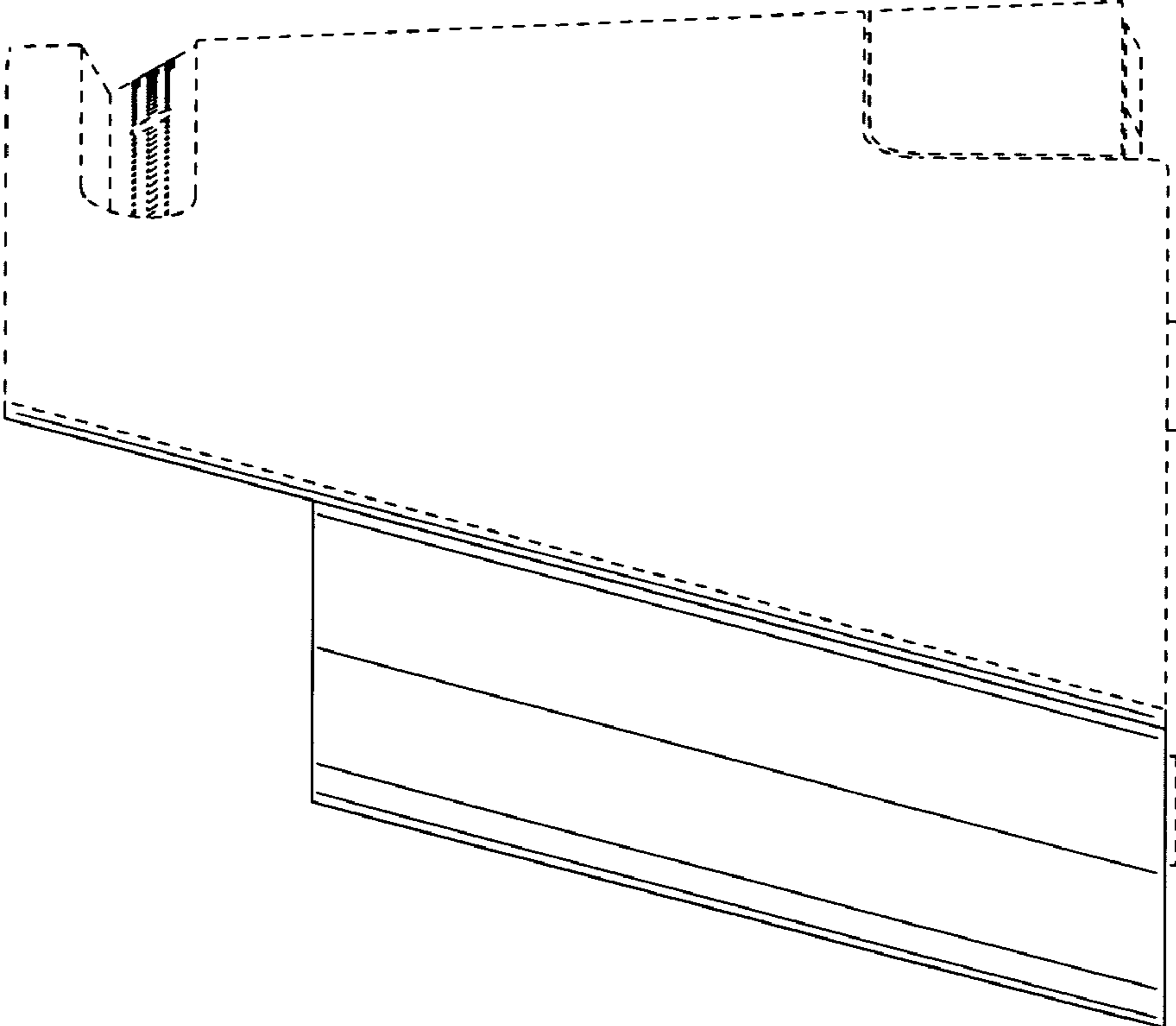


FIG.5

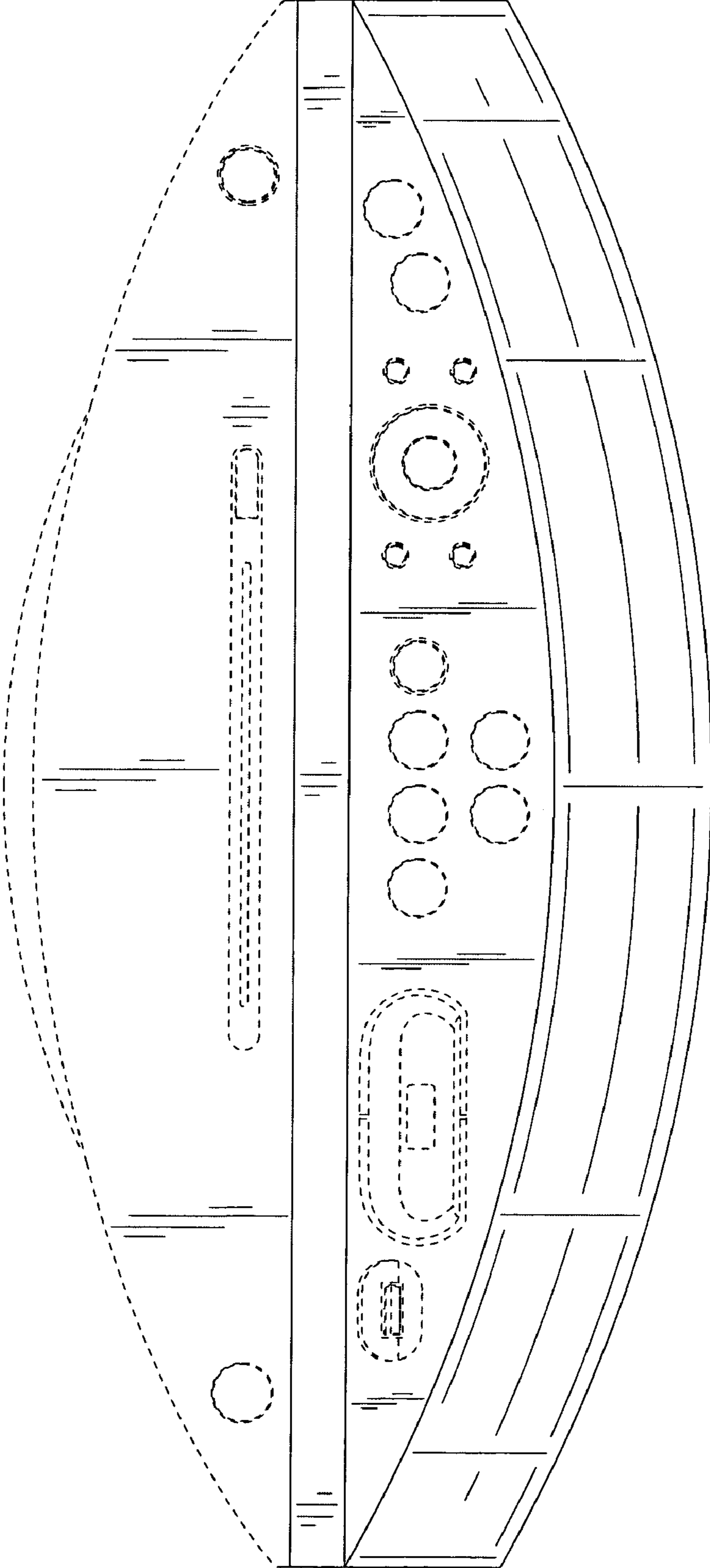


FIG.6

