



US00D627787S

(12) **United States Design Patent**  
**Grey et al.**

(10) **Patent No.:** **US D627,787 S**  
(45) **Date of Patent:** **\*\* Nov. 23, 2010**

(54) **DISPLAY MOUNT WITH SINGLE ARTICULATING ARM**

FOREIGN PATENT DOCUMENTS

EP 1590595 8/2004

(75) Inventors: **Dominic Grey**, Blaine, MN (US); **Scott Russell**, Woodbury, MN (US)

(Continued)

(73) Assignee: **Milestone AV Technologies LLC**, Savage, MN (US)

OTHER PUBLICATIONS

Chief Manufacturing; Full Line Product Guide 2004; Jan. 2004; 64 Pgs.; Savage, MN.

(\*\*) Term: **14 Years**

(Continued)

(21) Appl. No.: **29/330,462**

*Primary Examiner*—Angela J Lee

(22) Filed: **Jan. 7, 2009**

(74) *Attorney, Agent, or Firm*—Patterson Thuent Christensen Pedersen, P.A.

(51) **LOC (9) Cl.** ..... **08-07**

(57) **CLAIM**

(52) **U.S. Cl.** ..... **D14/452**; D14/239

The ornamental design for a display mount with single articulating arm, as shown and described.

(58) **Field of Classification Search** ..... D14/451, D14/452, 447, 448, 457, 239, 251, 253, 224, D14/224.1, 432, 439; D8/354, 363, 373, D8/380; D6/449, 512; D10/74; D12/415; 248/917, 918, 919, 920, 921, 922, 923, 924, 248/675, 122.1, 176.1, 176.3, 324, 222.51, 248/222.52, 223.31, 229.1, 229.15, 230.6, 248/230.7, 276.1, 281.11, 371; 361/679.06, 361/679.07, 679.21, 679.22, 825, 679.55, 361/679.56

See application file for complete search history.

**DESCRIPTION**

FIG. 1 is a front perspective view of a display mount with single articulating arm according to the invention;

FIG. 2 is a front elevation view of the display mount with single articulating arm depicted in FIG. 1;

FIG. 3 is a side elevation view of the display mount with single articulating arm depicted in FIG. 1;

FIG. 4 is an opposing side elevation view of the display mount with single articulating arm depicted in FIG. 1;

FIG. 5 is a top plan view of the display mount with single articulating arm depicted in FIG. 1; and,

FIG. 6 is a bottom plan view of the display mount with single articulating arm depicted in FIG. 1.

The portions of the display mount with single articulating arm shown in broken lines form no part of the claimed design.

The rear elevation of the depicted mounts is not claimed, and hence is not depicted.

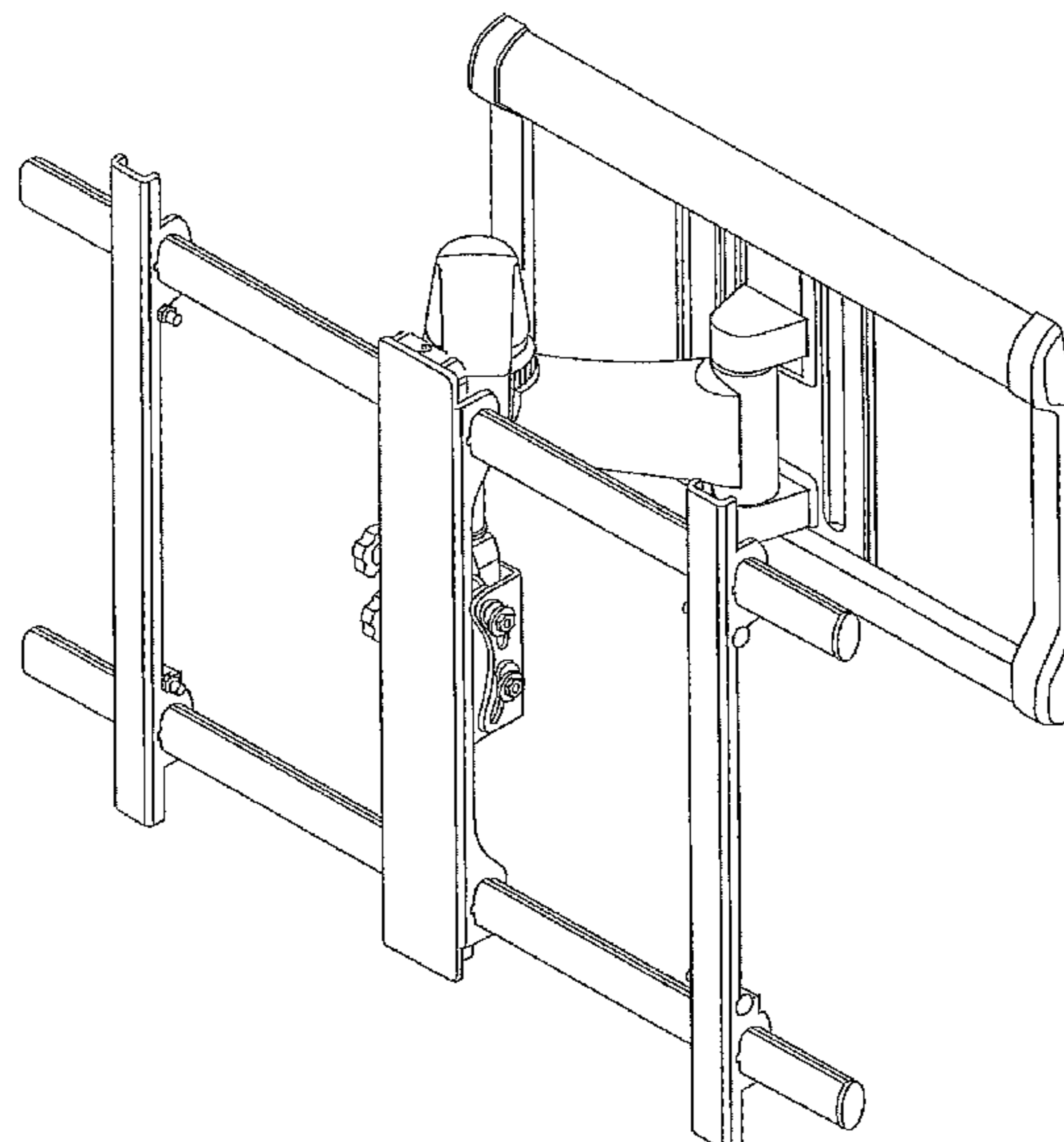
(56) **References Cited**

U.S. PATENT DOCUMENTS

153,943	A	8/1874	Gray
212,618	A	2/1879	Miller
1,282,489	A	10/1918	Strodel
1,320,775	A	11/1919	Mather
1,358,159	A	11/1920	Kern
1,574,227	A	2/1926	Andersen
1,628,218	A	5/1927	Beauchamp
1,646,379	A	10/1927	Whitehead

(Continued)

**1 Claim, 4 Drawing Sheets**



# US D627,787 S

Page 2

U.S. PATENT DOCUMENTS					
			5,992,809 A	11/1999	Sweere et al.
			5,995,179 A	11/1999	Tamura et al.
			6,000,560 A	12/1999	Barkan
1,977,153 A	10/1934	Spence, Jr.	6,012,693 A	1/2000	Voeller et al.
2,030,889 A	2/1936	Negrotto	6,015,120 A	1/2000	Sweere et al.
2,233,882 A	3/1941	Bobek	6,019,332 A	2/2000	Sweere et al.
2,466,219 A	4/1949	Farrell et al.	6,021,720 A	2/2000	Boos et al.
2,734,708 A	2/1956	Cohn	6,036,337 A	3/2000	Belfer
2,828,098 A	3/1958	Lehmann	6,042,068 A	3/2000	Tcherny
3,182,946 A	5/1965	Dudko	6,045,103 A	4/2000	Costa et al.
3,574,340 A	4/1971	Busche	6,047,939 A	4/2000	Kim
4,483,503 A	11/1984	Gahan	6,048,013 A	4/2000	Moilanen et al.
4,483,803 A	11/1984	Rizkalla	6,068,227 A	5/2000	Morgan et al.
4,527,766 A	7/1985	Krenz	6,098,952 A	8/2000	Tonn
4,549,710 A	10/1985	Prince et al.	6,102,348 A	8/2000	O'Neill
4,554,590 A	11/1985	Chelin et al.	6,113,047 A	9/2000	Wung et al.
4,621,782 A	11/1986	Carlson et al.	6,119,997 A	9/2000	Lieshout
4,627,210 A	12/1986	Beaulieu	6,125,030 A	9/2000	Mola et al.
4,645,153 A	2/1987	Granzow et al.	6,126,128 A	10/2000	Costa et al.
4,652,890 A	3/1987	Crean	6,138,970 A	10/2000	Sohrt et al.
4,708,312 A	11/1987	Rohr	RE36,978 E	12/2000	Moscovitch
4,718,317 A	1/1988	Hensler	6,189,842 B1	2/2001	Bergeron Gull et al.
4,768,744 A	9/1988	Leeds et al.	6,189,850 B1	2/2001	Liao et al.
4,814,759 A	3/1989	Gombrich et al.	D440,863 S	4/2001	Worrall
4,836,478 A	6/1989	Sweere	6,213,438 B1	4/2001	Ostby et al.
4,836,486 A	6/1989	Vossoughi et al.	6,213,821 B1	4/2001	Bernloehr et al.
4,844,387 A	7/1989	Sorgi et al.	6,244,552 B1	6/2001	Adams et al.
4,880,191 A	11/1989	Lake, Jr.	6,264,152 B1	7/2001	Bloch et al.
4,893,777 A	1/1990	Gassaway	6,273,382 B1	8/2001	Pemberton
4,934,645 A	6/1990	Breslow	6,292,981 B1	9/2001	Ford et al.
4,960,256 A	10/1990	Chihara et al.	6,336,037 B1	1/2002	Sekine et al.
4,989,813 A	2/1991	Kim et al.	6,340,146 B1	1/2002	Tzeng
5,037,050 A	8/1991	Lin et al.	6,347,776 B1	2/2002	Chuang
5,040,759 A	8/1991	Wainwright	6,354,549 B2	3/2002	Sweere et al.
5,080,311 A	1/1992	Engstrom	6,361,012 B1	3/2002	Chang
5,102,081 A	4/1992	Barchus	6,367,756 B1	4/2002	Wang
5,139,223 A	8/1992	Sedighzadeh	6,378,171 B1	4/2002	Suzuki et al.
5,165,644 A	11/1992	Allen	6,378,830 B1	4/2002	Lu
5,195,900 A	3/1993	Kumagai et al.	6,394,403 B1	5/2002	Hung
5,209,446 A	5/1993	Kawai	6,402,109 B1	6/2002	Dittmer
5,277,392 A	1/1994	Rossmann et al.	6,409,127 B1	6/2002	VanderHeide et al.
5,322,255 A	6/1994	Garrett	6,409,134 B1	6/2002	Oddsens, Jr.
5,398,901 A	3/1995	Brodmann et al.	D460,078 S	7/2002	Li
5,404,182 A	4/1995	Nomura	6,416,027 B1	7/2002	Hart
D361,062 S	8/1995	Lino	6,418,010 B1	7/2002	Sawyer
D361,068 S	8/1995	Brehmer et al.	6,419,196 B1	7/2002	Sweere et al.
5,465,557 A	11/1995	Harte	6,450,467 B2	9/2002	Timm
5,520,361 A	5/1996	Lee	6,453,509 B1	9/2002	Shin
5,537,290 A	7/1996	Brown et al.	6,454,234 B1	9/2002	Westbrook
5,553,820 A	9/1996	Karten et al.	6,478,274 B1	11/2002	Oddsens, Jr.
5,582,375 A	12/1996	Martin	6,478,275 B1	11/2002	Huang
5,584,735 A	12/1996	McMath	6,484,987 B2	11/2002	Weaver
5,603,478 A	2/1997	Wang	6,494,429 B2	12/2002	Tajima
5,632,463 A	5/1997	Sung et al.	6,505,988 B1	1/2003	Oddsens, Jr.
5,634,622 A	6/1997	Pye	6,510,049 B2	1/2003	Rosen
5,664,752 A	9/1997	Matthiessen et al.	6,517,040 B1	2/2003	Wen
5,687,939 A	11/1997	Moscovitch	6,530,546 B1	3/2003	Cyrell
5,687,944 A	11/1997	Shon	6,543,734 B2	4/2003	Yeh
5,713,549 A	2/1998	Shieh	6,554,238 B1	4/2003	Hibberd
5,715,138 A	2/1998	Choi	6,554,242 B2	4/2003	Kim
5,732,922 A	3/1998	Jeon	6,559,829 B1	5/2003	Matsuo et al.
5,743,503 A	4/1998	Voeller et al.	6,560,094 B2	5/2003	Schmidt
5,751,548 A	5/1998	Hall et al.	6,565,056 B2	5/2003	Lin
5,768,648 A	6/1998	Skipp et al.	6,575,419 B1	6/2003	Masuda et al.
5,772,174 A	6/1998	Hirsch et al.	D477,606 S	7/2003	Theis et al.
D395,892 S	7/1998	Solomon	6,585,203 B1	7/2003	Euker
5,797,568 A	8/1998	Gongora et al.	6,592,090 B1	7/2003	Li
5,842,672 A	12/1998	Sweere et al.	6,594,143 B2	7/2003	Yano et al.
5,854,735 A	12/1998	Cheng	6,604,722 B1	8/2003	Tan
5,918,841 A	7/1999	Sweere et al.	6,654,235 B2	11/2003	Imsand
5,924,665 A	7/1999	Sweere et al.	6,663,064 B1	12/2003	Minelli et al.
5,941,493 A	8/1999	Cheng	6,671,928 B2	1/2004	Huang
5,947,429 A	9/1999	Sweere et al.	6,672,553 B1	1/2004	Lin
D415,768 S	10/1999	Howell			

6,695,270	B1	2/2004	Smed	
6,752,363	B2	6/2004	Boele	
D493,800	S	8/2004	Pfister et al.	
D494,596	S	8/2004	Pfister	
D494,978	S	8/2004	Pfister	
6,783,105	B2	8/2004	Oddsens, Jr.	
D495,713	S	9/2004	Pfister et al.	
6,796,540	B1	9/2004	Manceor	
6,874,743	B2	4/2005	Watanabe et al.	
6,886,701	B2	5/2005	Hong et al.	
6,905,101	B1	6/2005	Dittmer	
6,923,413	B2	8/2005	Dozier	
6,966,532	B2	11/2005	Ishizaki et al.	
7,048,242	B2	5/2006	Oddsens, Jr.	
7,100,880	B2	9/2006	Oddsens, Jr.	
7,152,836	B2	12/2006	Pfister et al.	
7,152,837	B1	12/2006	Babjak	
7,178,774	B2 *	2/2007	Kim .....	248/279.1
7,178,775	B2	2/2007	Pfister et al.	
D538,633	S *	3/2007	Ly Hau et al. ....	D8/363
D540,332	S	4/2007	Dittmer et al.	
7,395,996	B2 *	7/2008	Dittmer .....	248/291.1
7,448,584	B2 *	11/2008	Chen et al. ....	248/278.1
D581,914	S *	12/2008	Bures et al. ....	D14/239
D581,915	S *	12/2008	Sculler et al. ....	D14/239
D581,916	S *	12/2008	Sculler et al. ....	D14/239
7,487,943	B1 *	2/2009	Gillespie .....	248/282.1
D593,080	S *	5/2009	Russell et al. ....	D14/239
2001/0050327	A1	12/2001	Sweere et al.	
2002/0011544	A1	1/2002	Bosson	
2002/0033436	A1	3/2002	Peng et al.	
2002/0084396	A1	7/2002	Weaver	
2002/0179801	A1	12/2002	Kim	
2002/0190180	A1	12/2002	Cotterill	
2003/0042385	A1	3/2003	Hung et al.	
2003/0075653	A1	4/2003	Li	
2003/0136888	A1	7/2003	Boele	
2003/0154673	A1	8/2003	MacGregor et al.	
2003/0201372	A1	10/2003	Dozier	
2003/0227739	A1	12/2003	Kim et al.	
2004/0011932	A1	1/2004	Duff	
2004/0011938	A1	1/2004	Oddsens, Jr.	
2004/0178312	A1	9/2004	Parsons	
2004/0211870	A1	10/2004	Bremmon et al.	
2004/0232298	A1	11/2004	Bremmon	
2004/0232301	A1	11/2004	Bremmon	
2004/0245420	A1	12/2004	Pfister et al.	
2005/0051688	A1	3/2005	Dittmer	
2005/0127253	A1 *	6/2005	Kim .....	248/176.1
2005/0133678	A1	6/2005	Dittmer	
2005/0263659	A1	12/2005	Pfister et al.	
2006/0284037	A1	12/2006	Dittmer	
2007/0090250	A1	4/2007	O'Keene	
2007/0176067	A1	8/2007	Monaco	
2007/0235614	A1	10/2007	O'Keene et al.	
2008/0006751	A1 *	1/2008	Chen et al. ....	248/278.1
2009/0020673	A1 *	1/2009	Dittmer .....	248/281.11

FOREIGN PATENT DOCUMENTS

GB	994246	8/1980
JP	60135786 U	9/1985
JP	63171077 U	11/1988
JP	2095279 U	7/1990
JP	02-297582	12/1990
JP	5033180 U	4/1993
JP	05-188865	7/1993
JP	7015689 A	1/1995
JP	08-006505	1/1996
JP	3208709 B2	7/2000
JP	2000200048 A	7/2000
JP	2000250418 A	9/2000
JP	2000259284 A	9/2000

JP	2001-034180	2/2001
JP	2001-146874	5/2001
JP	3078557 U	7/2001
JP	2001-309276 A	11/2001
JP	2002106542 A	4/2002
KR	1989-0001804 Y1	4/1989
KR	1990-0002291 Y1	3/1990
KR	1990-0003540 Y1	4/1990
KR	1992-0002567 Y1	4/1992
KR	0176089 Y1	4/2000
KR	2002-0071289 A	9/2002
KR	2002-0092700 A	12/2002
KR	1020030012977 A	2/2003
WO	WO 00/73697 A1	12/2000
WO	WO02/42681 A1	5/2002
WO	WO 2004/070257 A1	8/2004

OTHER PUBLICATIONS

Chief Full-Line Product Guide, Effective Jan. 2003, 80 Pgs.  
 Sanus VisionMount, Product Catalog, Mar. 2007, 40 Pgs.  
 Chief Full-Line Catalog, Jun. 2006, 122 Pgs.  
 Peerless, *Installation and Assembly—Solid•Point™ Articulating Swivel Arm for 32"-50" Plasma Screens*, pp. 14.  
 Peerless, *Technical Data Sheet—Solid•Point™ Articulating Swivel Plasma Mount*, pp. 3.  
 Peerless, *Assembly Instructions for Locking Desktop Swivel with Tilt Cup*, pp. 2.  
 Peerless, *Assembly Instructions Adjustable Tilt Wall Mounts*, pp. 2.  
 Peerless, *Assembly Instructions Retrofit Kit for Peerless Products with Adjustable Tilt Tray*, pp. 1.  
 Brochure Entitled "The Perfect Mounting Systems", no date provided, 2 Pages.  
 CAD Drawings printout for Rhinomounts dated Jul. 22, 2005, 9, pages.  
 Peerless Technical Data Sheet, dated Mar. 21, 2000, 1 Page.  
 Peerless Installation and Assembly, dated Dec. 6, 2001, 2 Pages.  
 Peerless Installation and Assembly, Plasma Adapter bracket for Zenith H40DVODP dated Jun. 22, 2001, 1 Page.  
 Peerless Technical Data Sheet, dated Oct. 8, 2002, 2 Pages.  
 Peerless Technical Data Sheet—Universal single stud tilting wall mount, dated May 19, 2003, 6 Pages.  
 Peerless Installation and Assembly—Solid•Point Flat Wall Mount for Zenith Plasma Model DPDP60W, dated Feb. 21, 2005, 1 Page.  
 Peerless Installation and Assembly—Plasma Adapter bracket for Sony PFM-50C1 Plasma Monitor, pp. 2, dated Sep. 26, 2002.  
 Peerless Installation and Assembly—Plasma Adapter Bracket for 61" NEC PlasmaSync 61MP1 & 61MX2 Plasma Screens, dated Nov. 10, 2003, 3 Pages.  
 Peerless Installation and Assembly—Secure Wall Mount for Philips, Aug. 12, 1998, 4 Pages.  
 Brochure Entitled: Panel Display Pivot Mount for Model Nos. PDM 625, PDM 110, PDM 120, 4 pgs., no date available.  
 Plasma TV Wall Mount Installation Manual entitled: *Wall Mount Kit for Plasma TV Screens*, Rev 1.0, dated Nov. 2003, pp. 1-12.  
 Brochure Entitled: Peerless® Flat Panel SmartMount™ Universal Tilt Wall Mount for 32" to 50" Plasma and LCD Flat Panel Screens, 2 pgs. . © 2006.  
 Brochure Entitled: Peerless® Flat Panel SmartMount™ Universal Tilt Wall Mount for 61" to 102" Plasma and LCD Flat Panel Screens, 2 pgs. . © 2006.  
 Brochure Entitled: Peerless® Flat Panel SmartMount™ Universal Tilt Wall Mount for 42" to 71" Plasma and LCD Flat Panel Screens, 2 pgs. . © 2006.  
 Brochure Entitled: Peerless® Flat Panel SmartMount™ Universal Tilt Wall Mount for 32" to 60" Plasma and LCD Flat Panel Screens, 2 pgs. . © 2006.  
 Brochure Entitled: Peerless® Flat Panel SmartMount™ Universal Tilt Wall Mount for 23" to 46" LCD Flat Panel Screens, 2 pgs. . © 2006.  
 Brochure Entitled: Peerless® Flat Panel SmartMount™ Universal Flat Wall Mount for 61" to 102" Plasma and LCD Flat Panel Screens, 2 pgs. . © 2006.

# US D627,787 S

Page 4

---

Brochure Entitled: Peerless® Flat Panel SmartMount™ Universal Flat Wall Mount for 42" to 71" Plasma and LCD Flat Panel Screens, 2 pgs. . © 2006.

Brochure Entitled: Peerless® Flat Panel SmartMount™ Universal Flat Wall Mount for 32" to 60" Plasma and LCD Flat Panel Screens, 2 pgs. . © 2006.

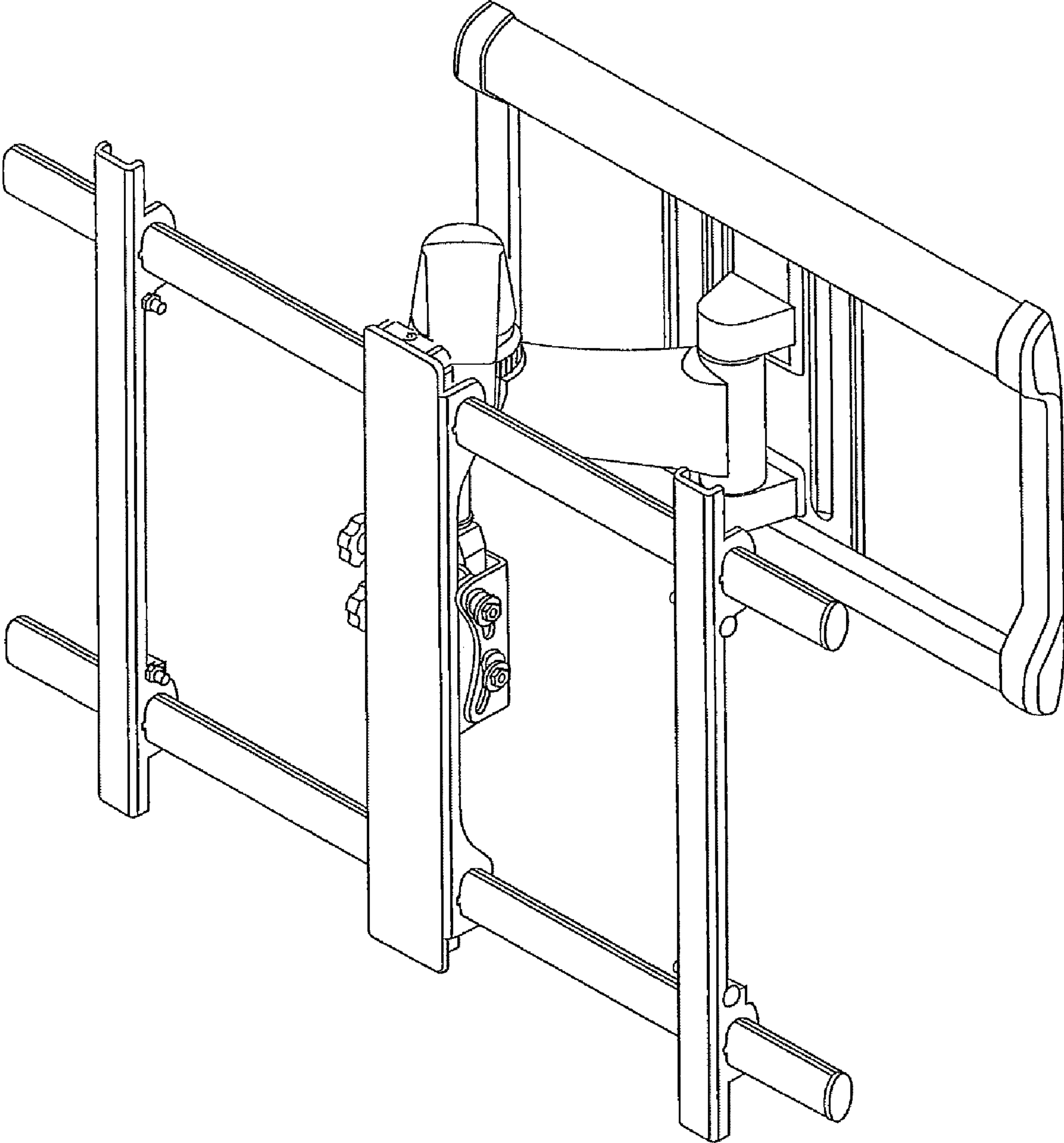
Brochure Entitled: Peerless® Flat Panel SmartMount™ Universal Flat Wall Mount for 23" to 46" LCD Flat Panel Screens, 2 pgs. . © 2006.

Brochure Entitled: Peerless® Solid Solutions—Solid Support™ Installation and Assembly: SmartMount™ Universal Tilt Wall Mount for 22"-49" Screens, pp. 12, issued Mar. 31, 2005.

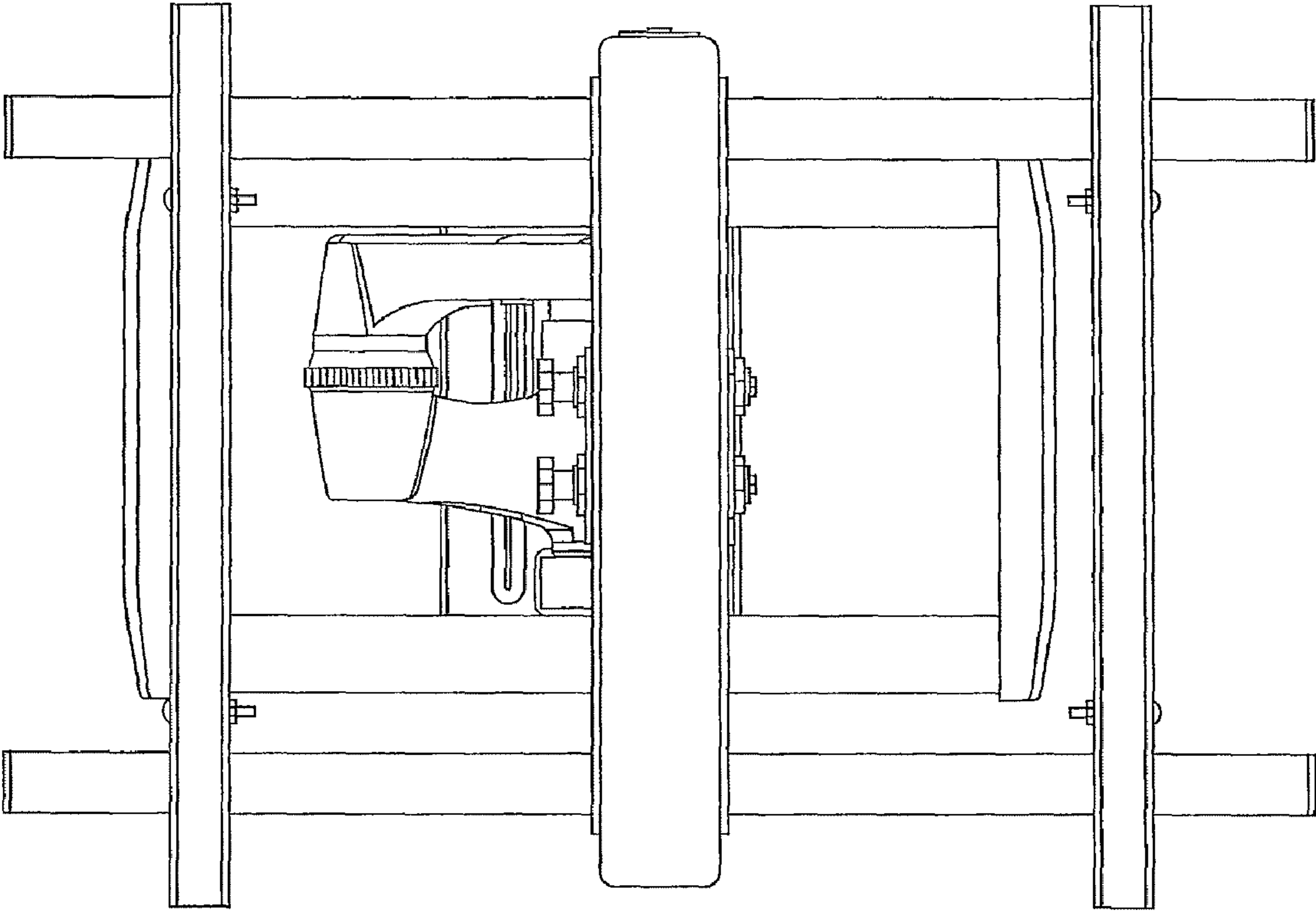
ViewSonic Mount, pp. 1. circa 2005.

Hitachi Mount, pp. 1. circa 2005.

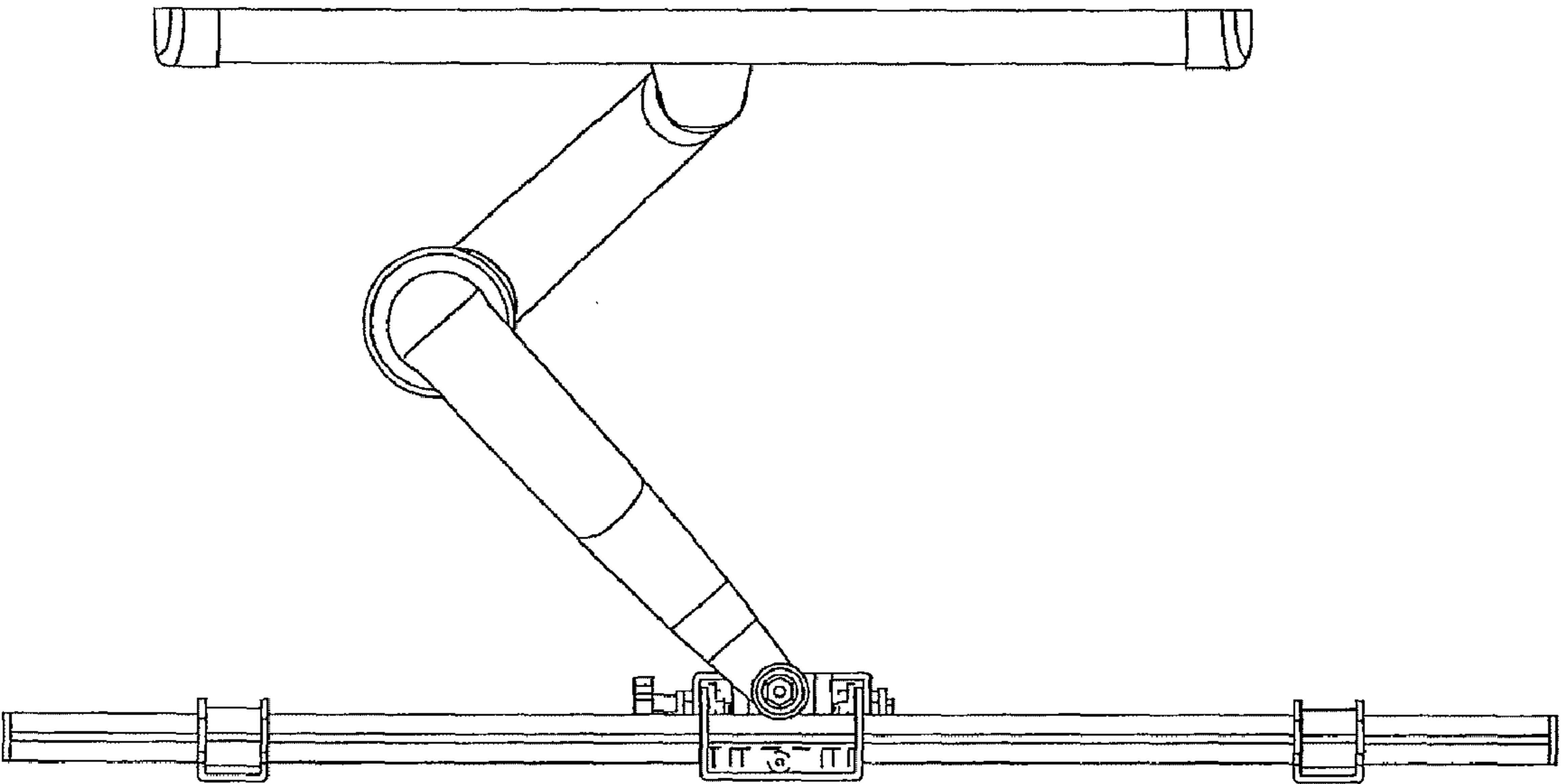
\* cited by examiner



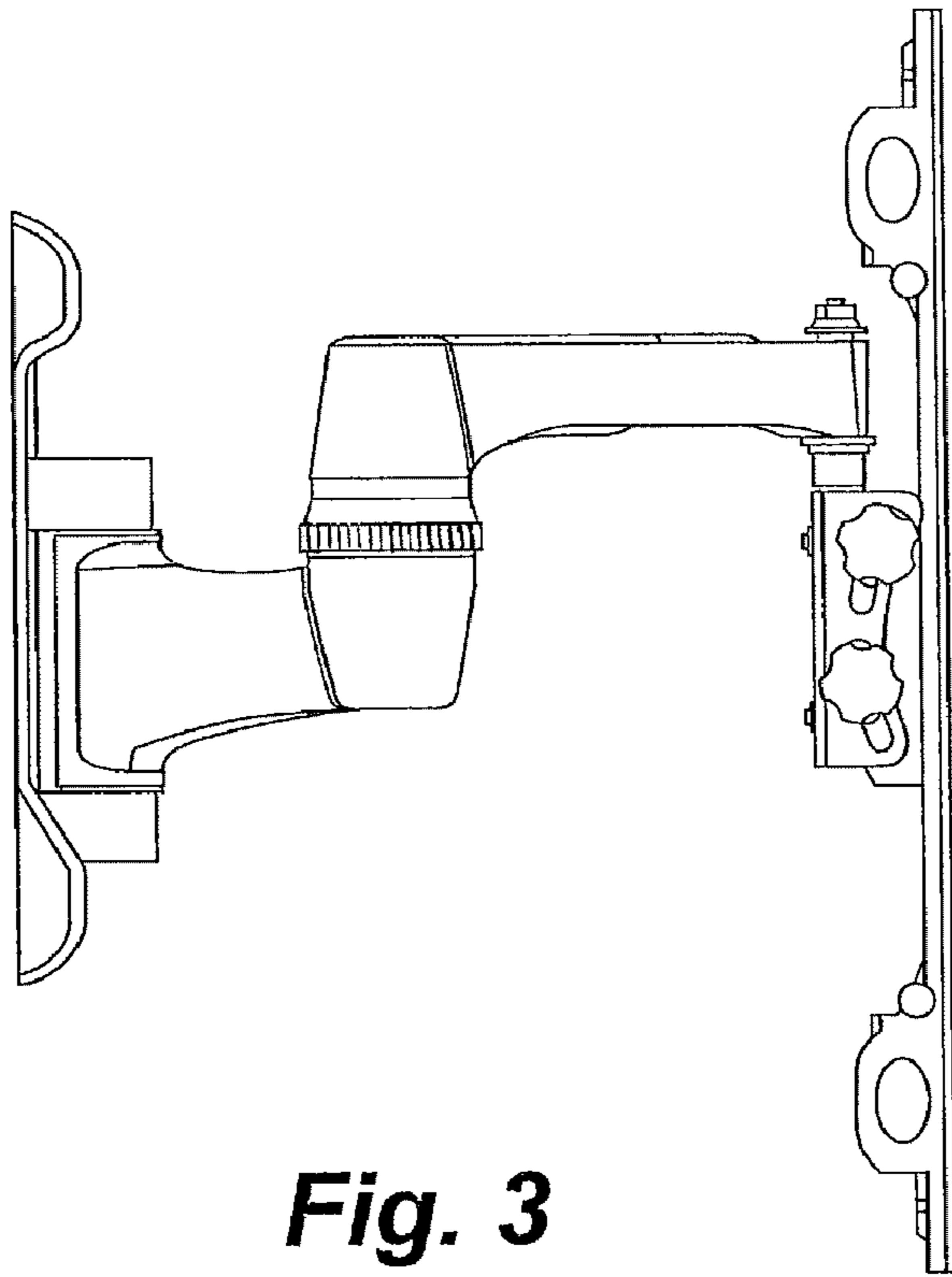
**Fig. 1**



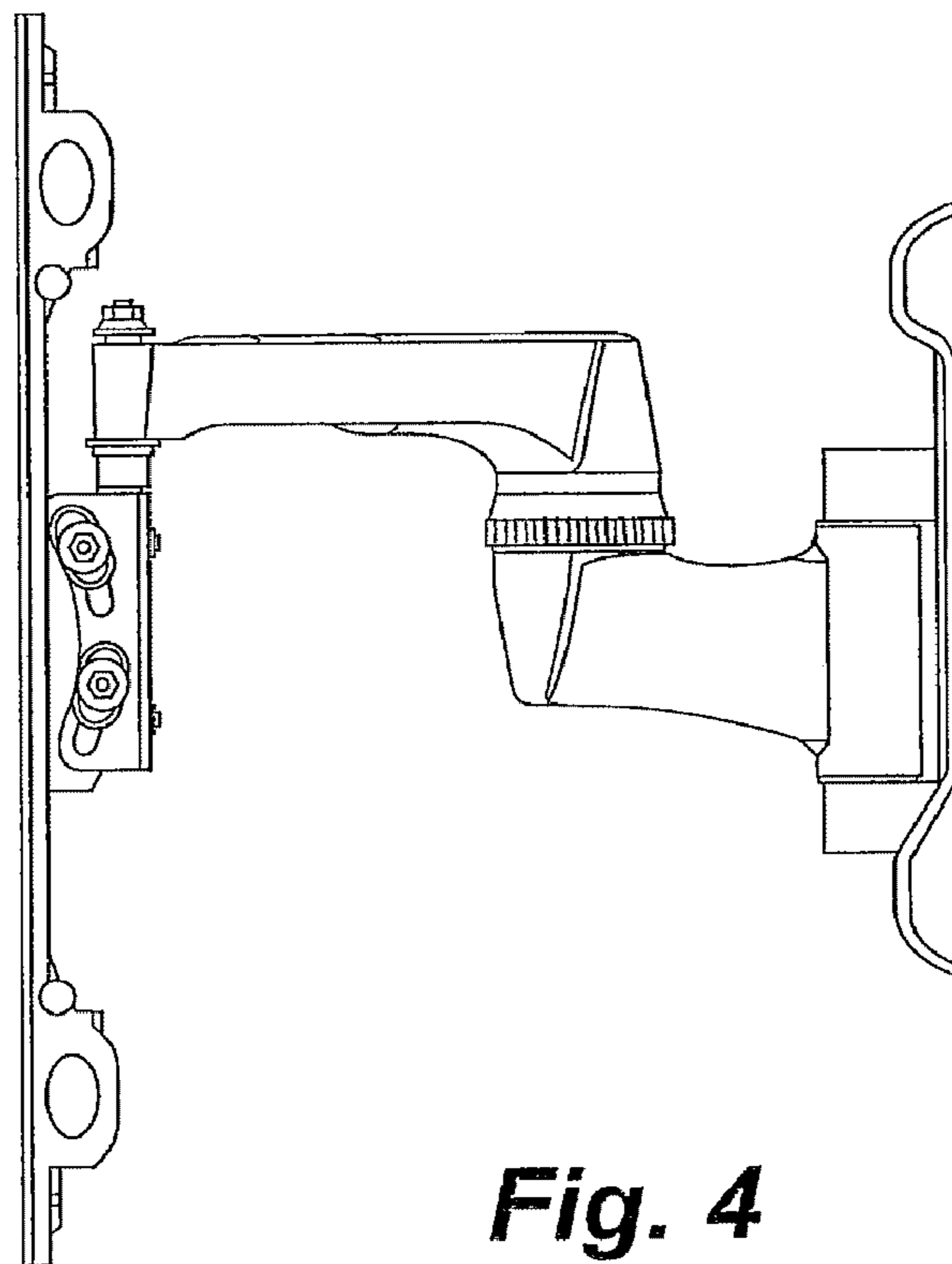
**Fig. 2**



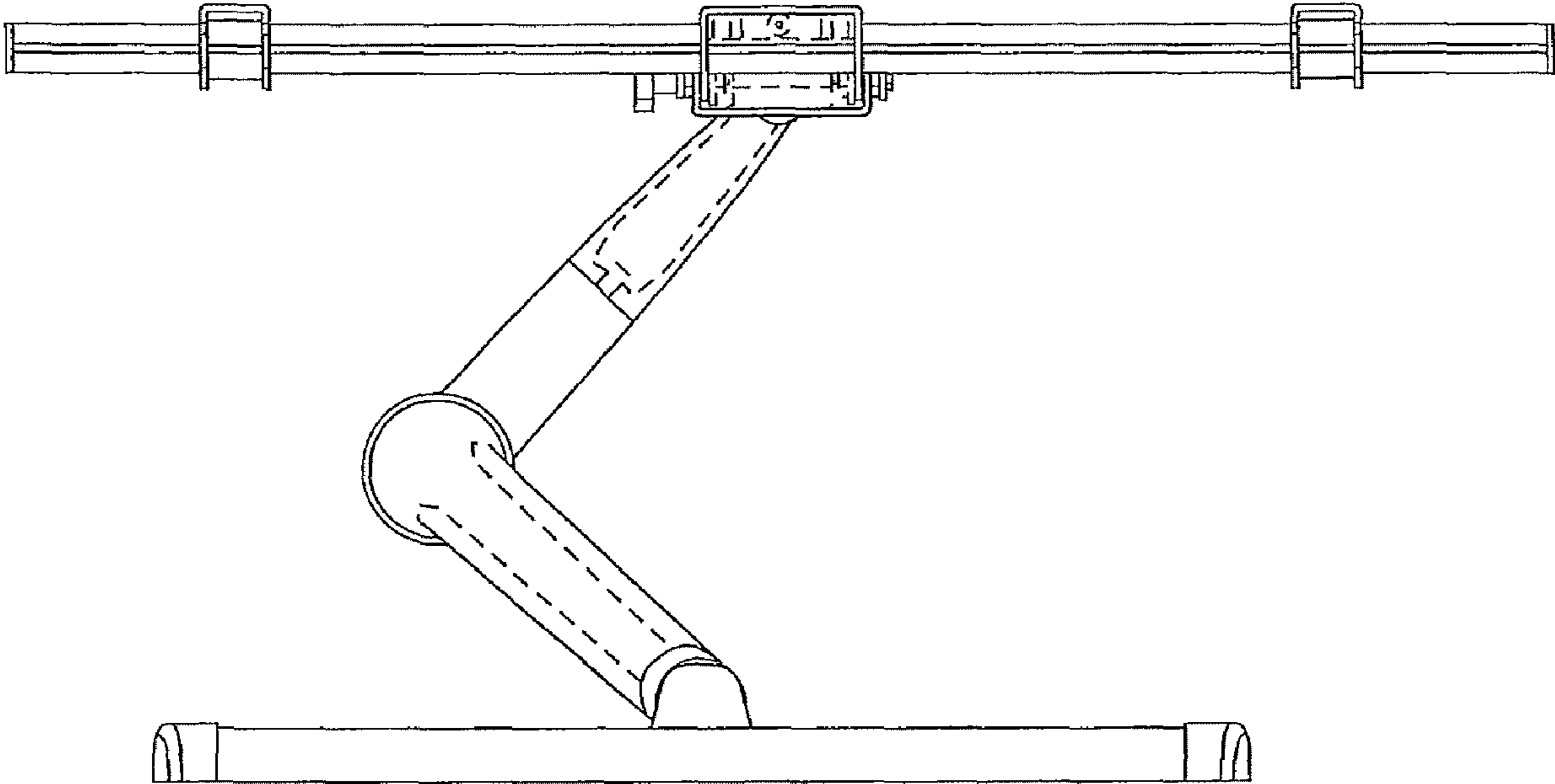
**Fig. 5**



**Fig. 3**



**Fig. 4**



**Fig. 6**