



US00D627786S

(12) **United States Design Patent**  
**Hsia**

(10) **Patent No.:** **US D627,786 S**  
(45) **Date of Patent:** **\*\* Nov. 23, 2010**

(54) **COMBO MEMORY CARD CASE**  
(75) Inventor: **Chorng-Guang Hsia**, Saratoga, CA (US)  
(73) Assignee: **Team Research, Inc.**, San Jose, CA (US)  
(\*\*) Term: **14 Years**  
(21) Appl. No.: **29/326,153**  
(22) Filed: **Oct. 13, 2008**  
(51) **LOC (9) Cl.** ..... **14-02**  
(52) **U.S. Cl.** ..... **D14/435; D3/247**  
(58) **Field of Classification Search** ..... D14/435, D14/436, 437, 438, 432, 356; D3/294, 273, D3/201, 203.5, 203.6, 284, 295, 903, 203.1, D3/203.2, 247, 249, 250, 227; D9/414, 422, D9/424, 430, 432, 415; D28/83, 77, 78; D6/632, 407, 634, 635, 627-629, 314; 206/38, 206/38.1, 39, 232, 804, 815, 308.1, 308.3, 206/472, 473, 483, 474, 477, 480, 569, 570, 206/482, 485, 486, 320, 305, 307, 307.1, 206/450, 701, 722, 387.1, 387.13, 491, 455, 206/316.1, 316.2, 706, 725, 312, 223, 235, 206/236, 811, 710, 454, 581, 531, 493, 445, 206/311, 823, 574, 37, 39.4, 39.5, 39.6, 39.1, 206/39.3, 776, 709, 449; 206/555, 807, 459.5, 206/556; 361/756, 686, 801, 802, 737, 752, 361/727; 150/147, 149, 150, 900, 131; 235/486, 235/487, 451, 492, 493, 380, 386, 382, 488; 242/378.2, 375, 385.1, 371, 400; 439/630, 439/945, 61, 135, 946; 53/471; 40/642.02, 40/655, 661.07, 765, 1.5, 427, 777, 649, 40/1.6, 666, 661.04, 27.5, 661, 653, 308; 224/277, 929, 162, 269, 191, 254, 255, 274, 224/245, 196; 220/4.22, 526, 281, 315, 326, 220/826, 263, 835, 324, 838, 4.23, 839; 16/361; 215/201; 211/40; 70/276, 58, 63; 190/109, 190/117, 901; 312/244; 402/3, 76; D7/629; D8/339, 330, 331, 343; 292/116, 137, 148, 292/156, 302, DIG. 11; 132/293-295, 298, 132/301, 300; 109/23, 24; D21/333, 54, D21/55, 57; D99/34; 24/3.11, 3.12; 403/348; D20/43; D19/78, 90, 1; 382/124; 356/71; 383/43, 106; 283/904; 281/42; D11/78.1; 174/353, 372, 386, 535; 340/568.7

See application file for complete search history.

(56) **References Cited**  
U.S. PATENT DOCUMENTS  
1,670,343 A \* 5/1928 Clemens ..... 206/39.5  
3,029,537 A \* 4/1962 Hopp et al. .... 40/653  
3,958,690 A \* 5/1976 Gee, Sr. .... 206/232  
4,356,646 A \* 11/1982 Johnson, Jr. .... 40/651

(Continued)

FOREIGN PATENT DOCUMENTS  
JP 2003170980 A \* 6/2003

*Primary Examiner*—Susan Moon Lee  
(74) *Attorney, Agent, or Firm*—Roger H. Chu

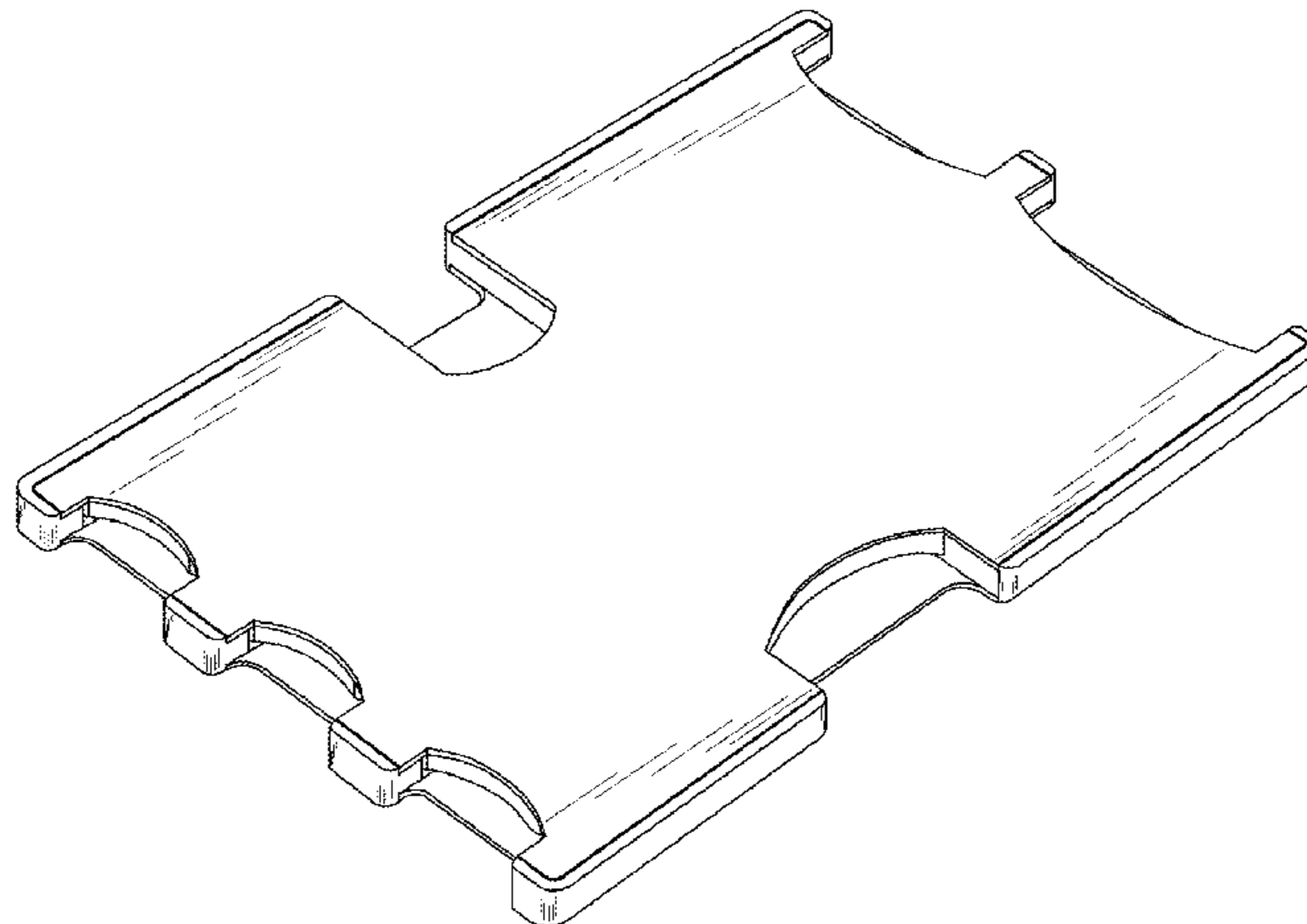
(57) **CLAIM**

The ornamental design for a combo memory card case, as shown and described.

**DESCRIPTION**

FIG. 1 is a perspective view of a combo memory card case showing my design;  
FIG. 2 is another perspective view thereof;  
FIG. 3 is a top plan view thereof;  
FIG. 4 is a bottom plan view thereof;  
FIG. 5 is a front elevation view thereof;  
FIG. 6 is a rear elevation view thereof;  
FIG. 7 is a right side elevation view thereof;  
FIG. 8 is a left side elevation view thereof; and,  
FIG. 9 is a perspective exploded view thereof.  
Any portions shown in broken line are not claimed.

**1 Claim, 9 Drawing Sheets**



# US D627,786 S

Page 2

## U.S. PATENT DOCUMENTS

4,518,080	A *	5/1985	Ohlson	206/39	D470,657	S *	2/2003	Kawamura	D3/247
4,537,307	A *	8/1985	Tamura	206/455	6,561,506	B2 *	5/2003	Sasaki et al.	271/145
4,778,056	A *	10/1988	Faulstick et al.	206/564	6,571,940	B2 *	6/2003	Newman	206/38
5,125,505	A *	6/1992	Kurosaki	206/39.4	6,594,154	B1 *	7/2003	Brewer et al.	361/801
5,184,282	A *	2/1993	Kaneda et al.	361/737	6,848,577	B2 *	2/2005	Kawamura et al.	206/449
5,467,871	A *	11/1995	DeField	206/232	6,898,884	B1 *	5/2005	Meyenberg	40/649
5,531,324	A *	7/1996	Kosaki et al.	206/449	7,161,747	B2 *	1/2007	Yang, Jr.	359/812
5,718,329	A *	2/1998	Ippolito et al.	206/38	7,161,811	B2 *	1/2007	Richter	361/737
5,740,624	A *	4/1998	Baseley	40/649	7,162,547	B2 *	1/2007	Hosaka et al.	710/8
5,901,764	A *	5/1999	Ritter	150/147	D537,382	S *	2/2007	Yang	D11/216
5,929,427	A *	7/1999	Harada et al.	235/492	7,172,127	B1 *	2/2007	Poland	235/486
D414,481	S *	9/1999	Wu	D14/436	7,293,647	B2 *	11/2007	Wong et al.	206/307.1
5,984,441	A *	11/1999	Stokhuijzen	312/240	7,308,771	B2 *	12/2007	Memelink	40/649
6,016,954	A *	1/2000	Abe et al.	235/379	7,395,623	B2 *	7/2008	Park et al.	40/312
6,050,014	A *	4/2000	Ohlson	40/649	7,443,690	B2 *	10/2008	Matsumoto et al.	361/737
6,089,289	A *	7/2000	Florjancic	150/147	D585,448	S *	1/2009	Kawaguchi et al.	D14/435
6,121,544	A *	9/2000	Petsinger	174/353	7,578,446	B2 *	8/2009	Yen	235/486
D431,719	S *	10/2000	Mucarquer	D3/247	7,597,315	B2 *	10/2009	Yamamoto et al.	271/145
6,155,410	A *	12/2000	Davis	206/39.5	D605,079	S *	12/2009	Yang	D11/216
6,186,403	B1 *	2/2001	Ozbey et al.	235/487	D613,293	S *	4/2010	Sheba	D14/435
6,213,313	B1 *	4/2001	Levy	211/51	D622,179	S *	8/2010	Frye	D11/216
6,227,732	B1 *	5/2001	Higuchi et al.	400/624	7,789,232	B2 *	9/2010	Suito et al.	206/449
D444,789	S *	7/2001	Obata	D14/436	2002/0056652	A1 *	5/2002	Kawamura et al.	206/37
6,318,918	B1 *	11/2001	Sasaki et al.	400/624	2005/0199710	A1 *	9/2005	Richter	235/380
6,356,456	B2 *	3/2002	Eskildsen	361/801	2008/0011628	A1 *	1/2008	Lin	206/307
6,357,739	B2 *	3/2002	Sasaki et al.	271/145	2008/0166898	A1 *	7/2008	Hubert et al.	439/64
6,409,012	B2 *	6/2002	Shiga et al.	206/232	2008/0272191	A1 *	11/2008	Yen	235/380
					2009/0000969	A1 *	1/2009	Walker et al.	206/307

\* cited by examiner

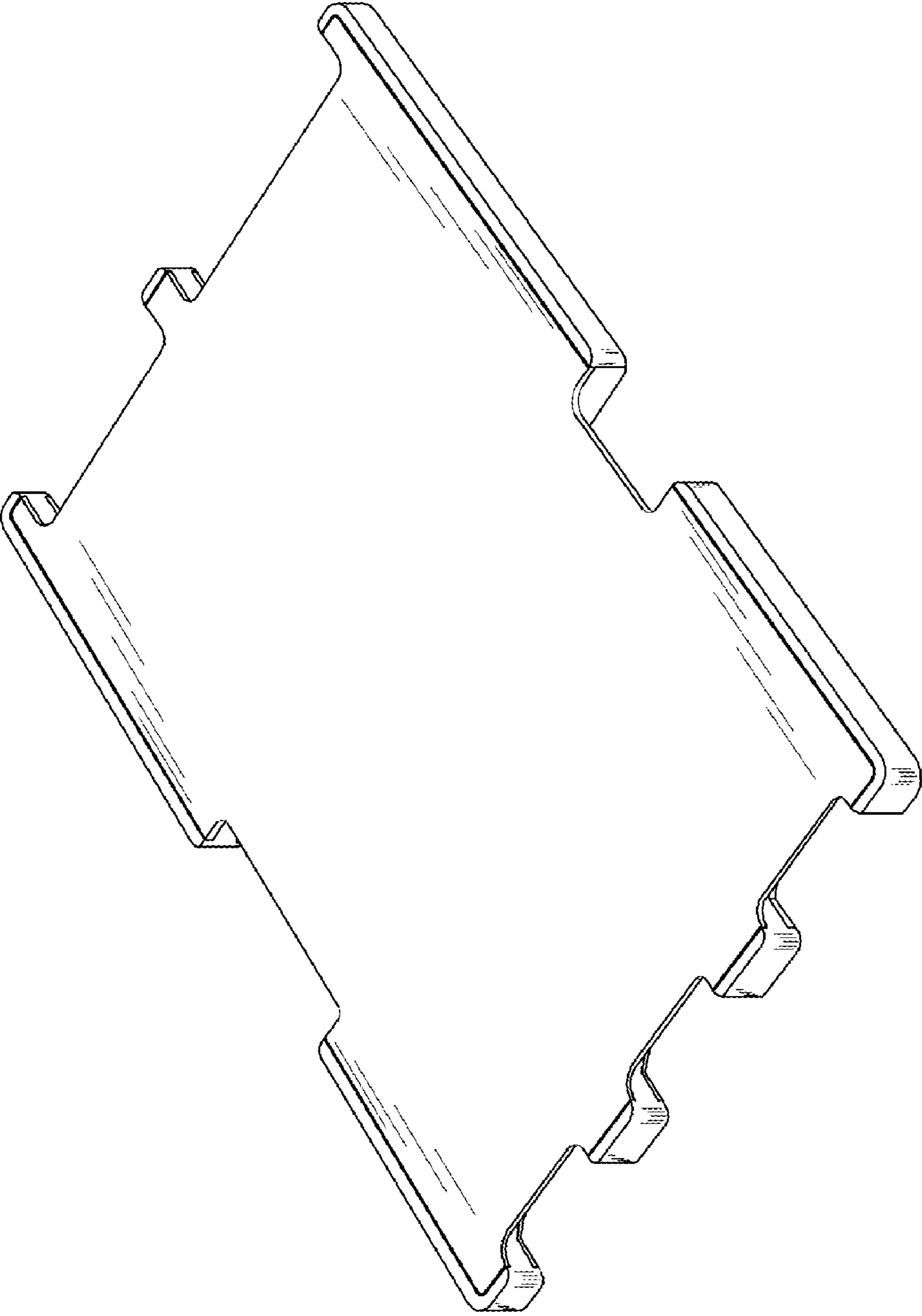


FIG. 1

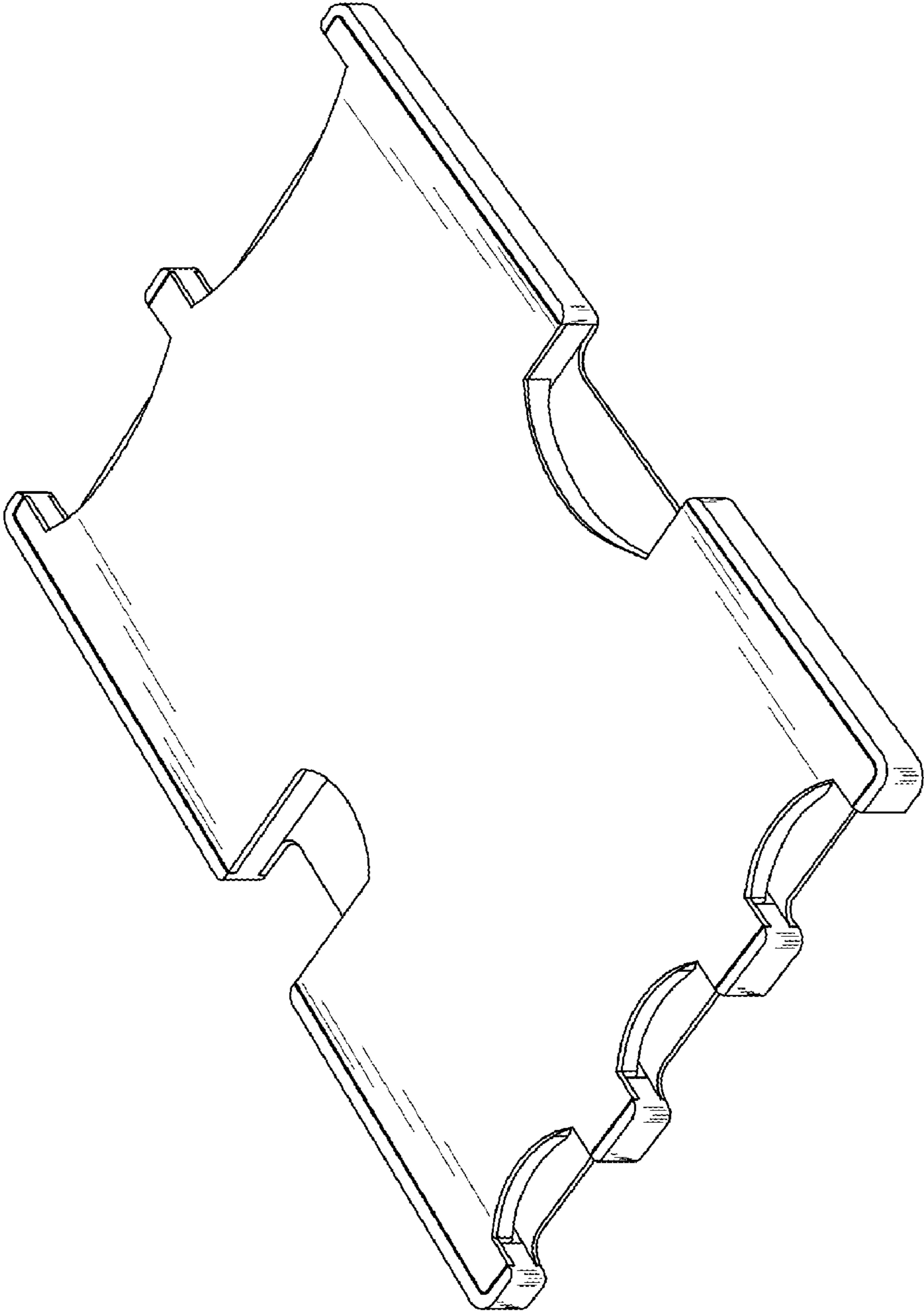


FIG. 2

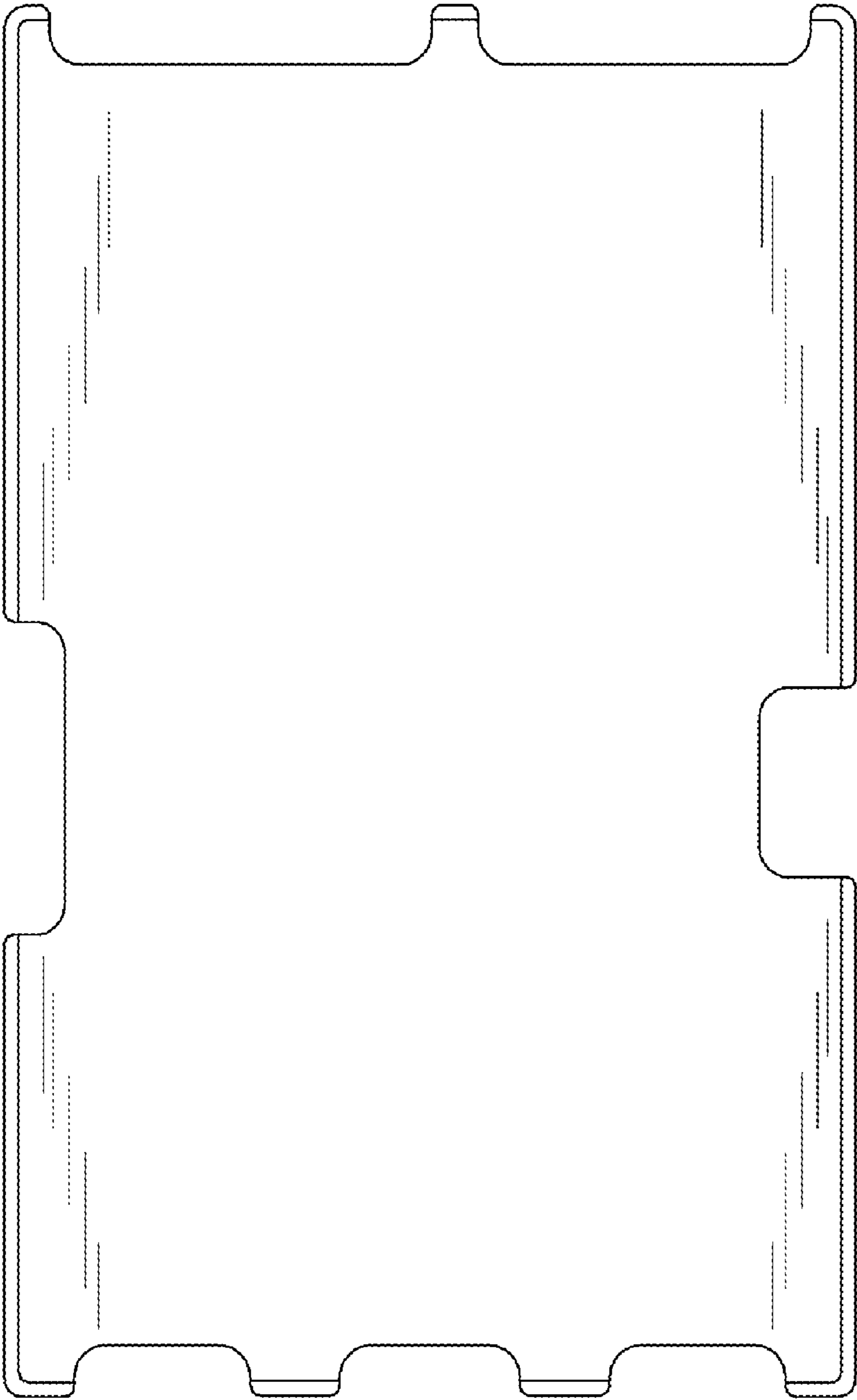


FIG. 3

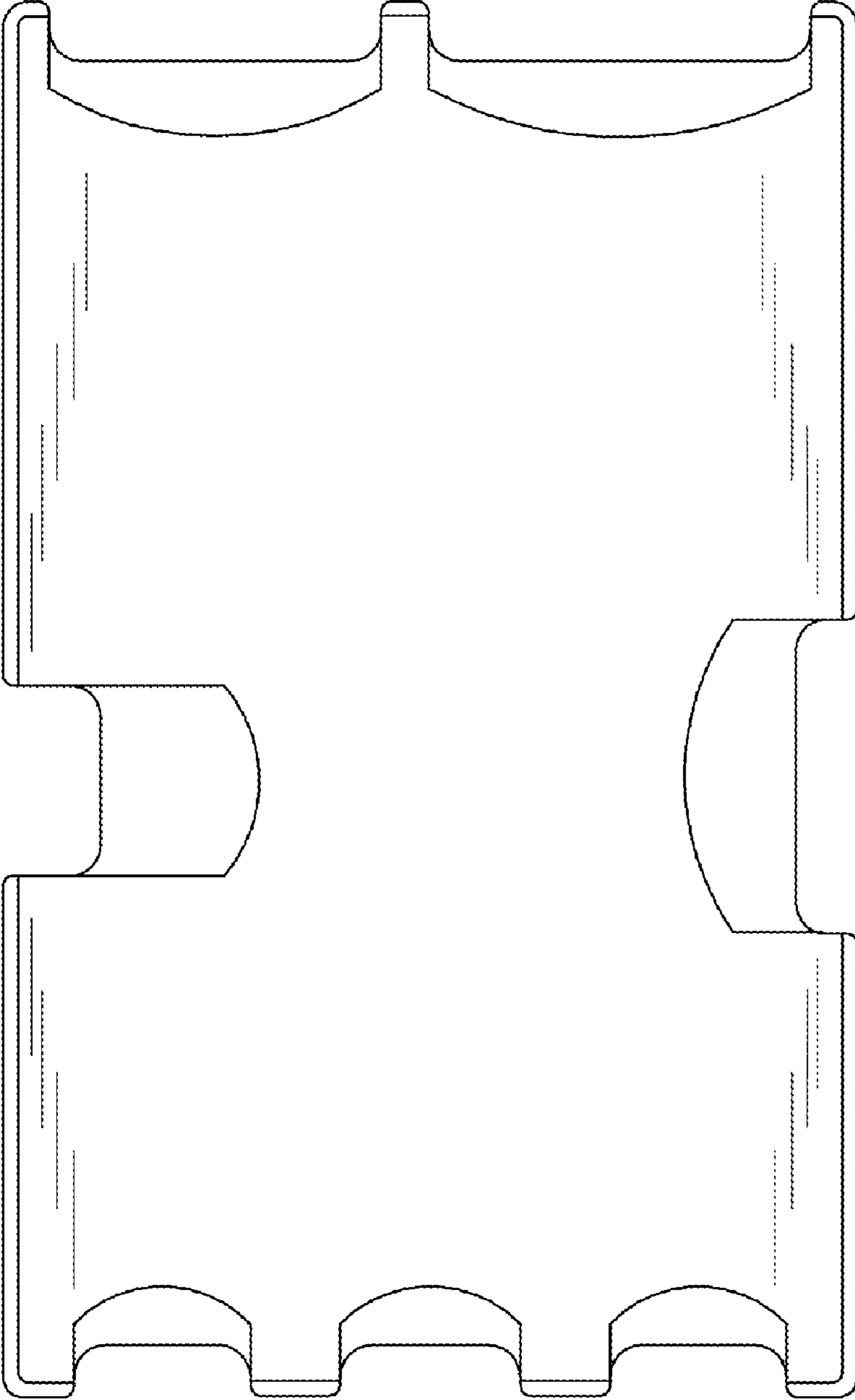


FIG. 4

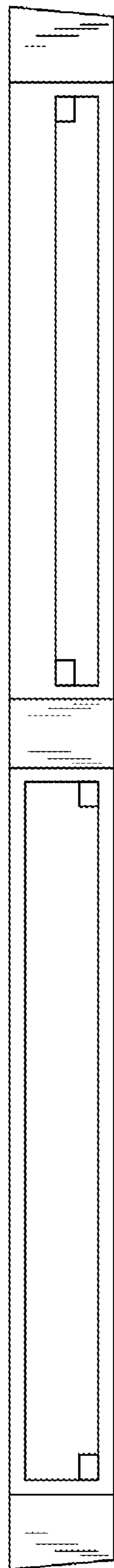


FIG. 5

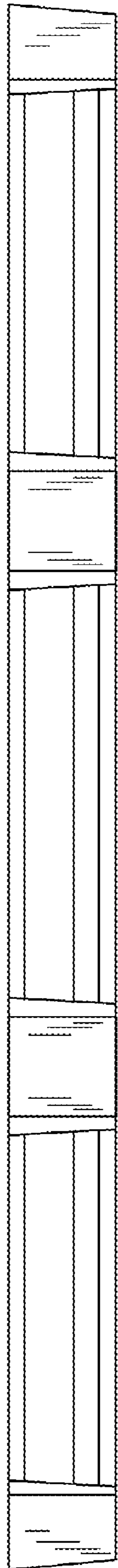


FIG. 6



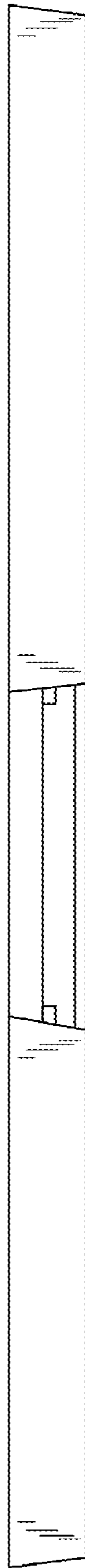


FIG. 7

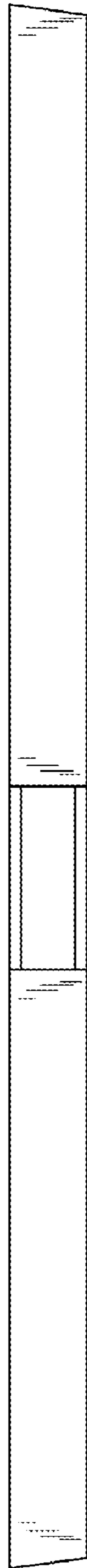


FIG. 8

FIG. 9

