



US00D627785S

(12) **United States Design Patent**  
**Bouthillier**

(10) **Patent No.:** **US D627,785 S**

(45) **Date of Patent:** **\*\* Nov. 23, 2010**

(54) **MEDIA INTERFACE CRADLE**

(75) Inventor: **Robert J. Bouthillier**, Lincoln, RI (US)

(73) Assignee: **Design Net Technical Products, Inc.**,  
Smithfield, RI (US)

(\*\*) Term: **14 Years**

(21) Appl. No.: **29/351,913**

(22) Filed: **Dec. 14, 2009**

(51) **LOC (9) Cl.** ..... **14-02**

(52) **U.S. Cl.** ..... **D14/434**

(58) **Field of Classification Search** ..... D14/432-434,  
D14/314, 204, 217; D13/107, 108, 110,  
D13/146; D23/314, 328; 248/346.03; 361/679.41,  
361/679.31, 679.32, 679.4, 679.43; 70/58;  
D21/333; 320/112; 348/375

See application file for complete search history.

(56) **References Cited**

**U.S. PATENT DOCUMENTS**

D277,662	S	*	2/1985	Huntington et al.	.....	D13/107
5,052,943	A	*	10/1991	Davis	.....	439/357
5,627,727	A	*	5/1997	Aguilera et al.	.....	361/679.43
D489,325	S	*	5/2004	Nakamura	.....	D13/110
D507,526	S	*	7/2005	Ohta	.....	D13/108
D520,013	S	*	5/2006	Yang	.....	D14/434

7,079,384	B2	*	7/2006	Wang et al.	.....	361/679.43
D544,487	S	*	6/2007	Hussaini et al.	.....	D14/434
D584,731	S	*	1/2009	Montgomery et al.	.....	D14/434
D585,898	S	*	2/2009	Skurdal	.....	D14/434
2008/0219488	A1	*	9/2008	Crooijmans et al.	.....	381/333

\* cited by examiner

*Primary Examiner*—Freda S Nunn

(74) *Attorney, Agent, or Firm*—Salter & Michaelson

(57) **CLAIM**

The ornamental design for a media interface cradle, as shown and described.

**DESCRIPTION**

FIG. 1 is a perspective view of a media interface cradle showing my new design;

FIG. 2 is a front elevational view thereof;

FIG. 3 is a rear elevational view thereof;

FIG. 4 is a left side elevational view thereof;

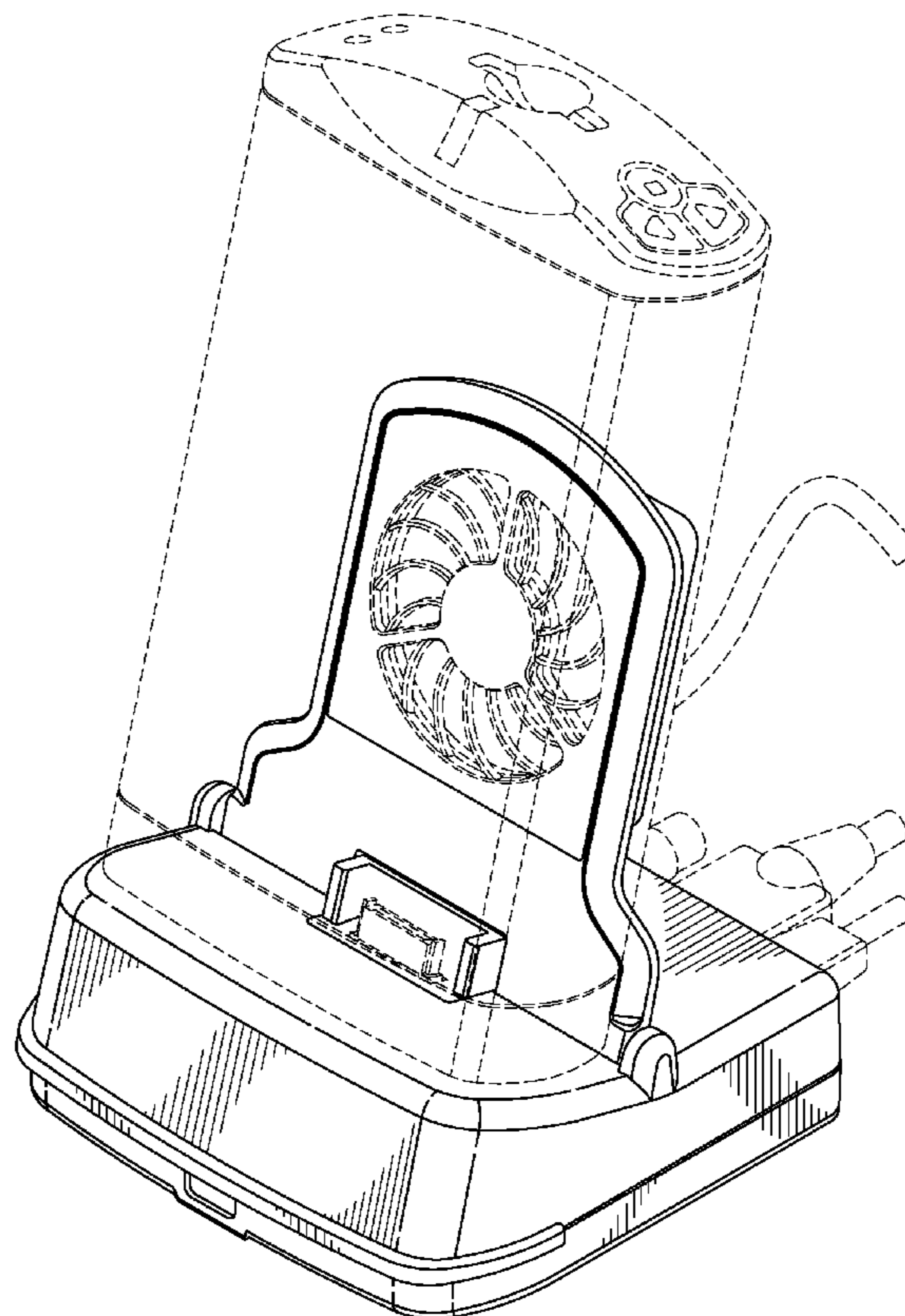
FIG. 5 is a right side elevational view thereof;

FIG. 6 is a top plan view thereof; and,

FIG. 7 is a bottom plan view thereof.

The portions shown in broken lines are included for illustrative purposes only and form no part of the claimed design.

**1 Claim, 7 Drawing Sheets**



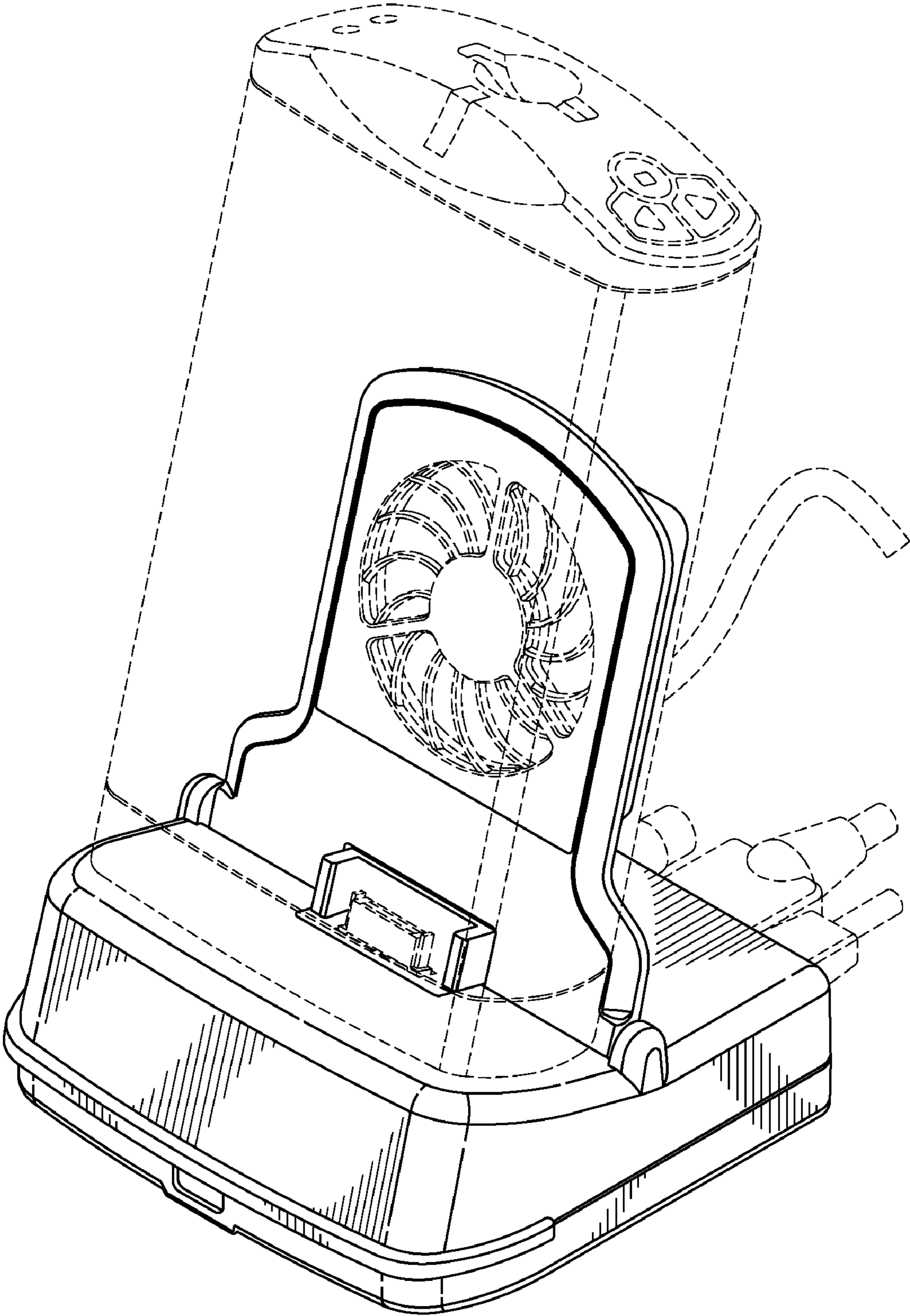


FIG. 1

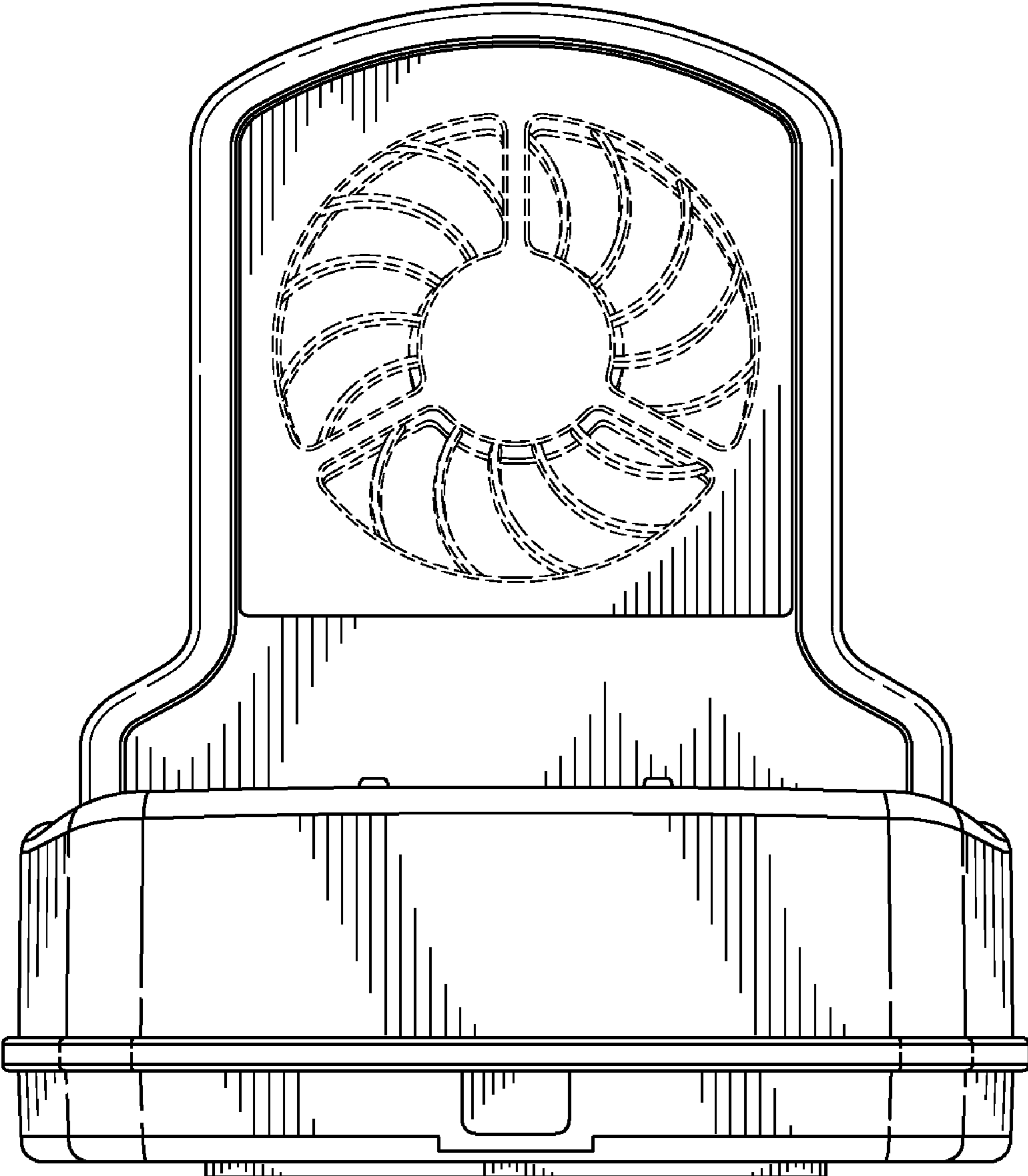


FIG. 2

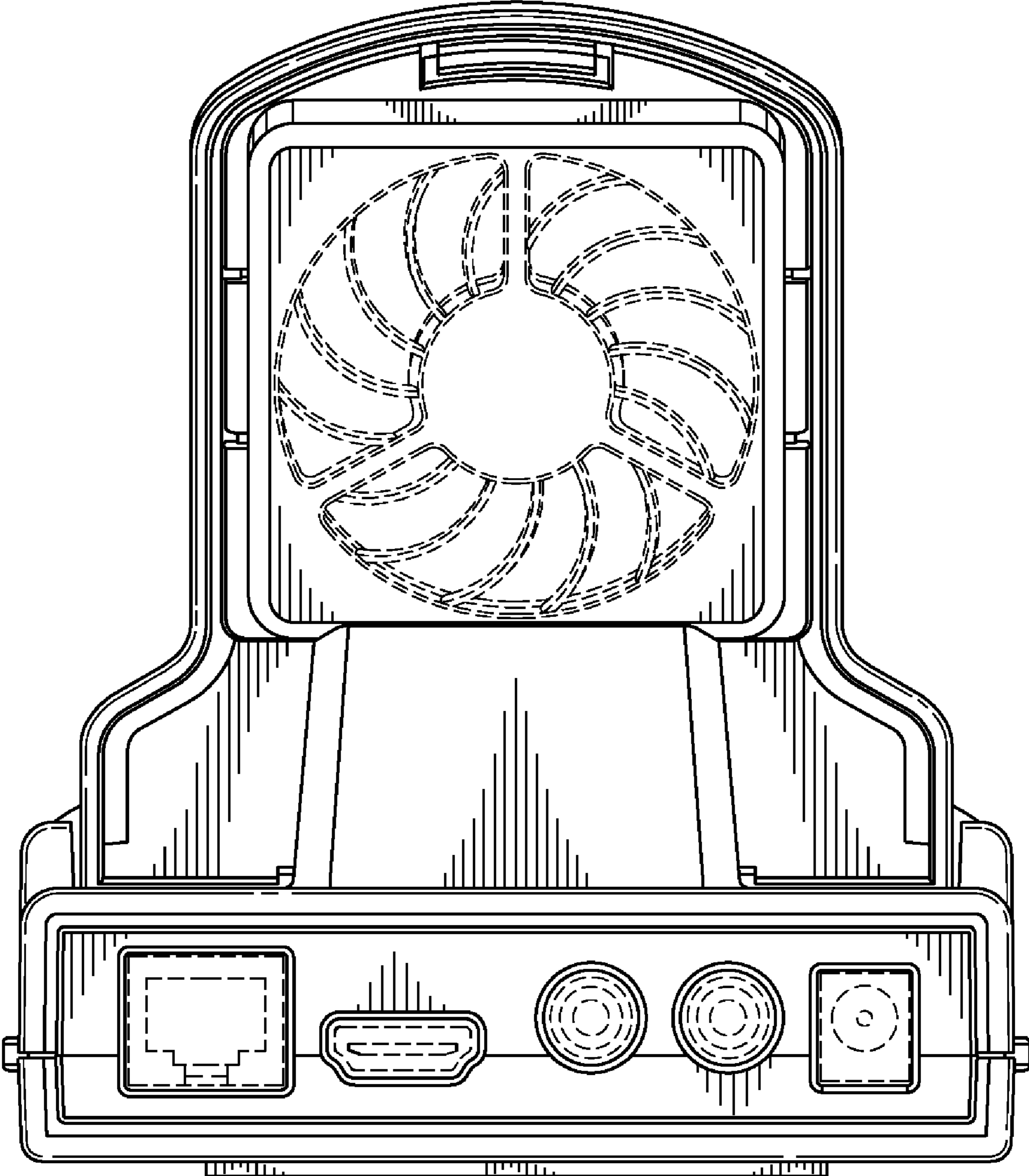


FIG. 3



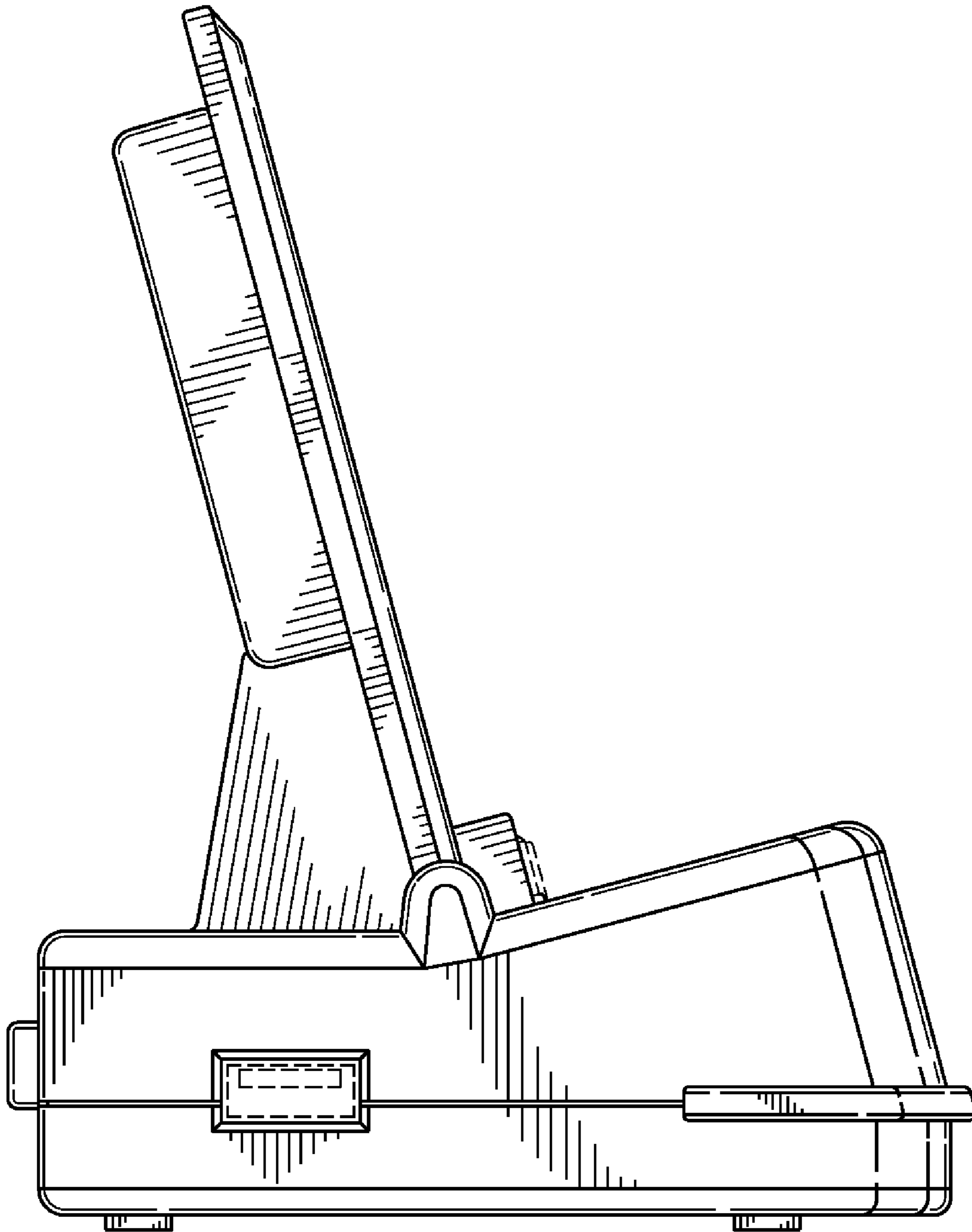


FIG. 4

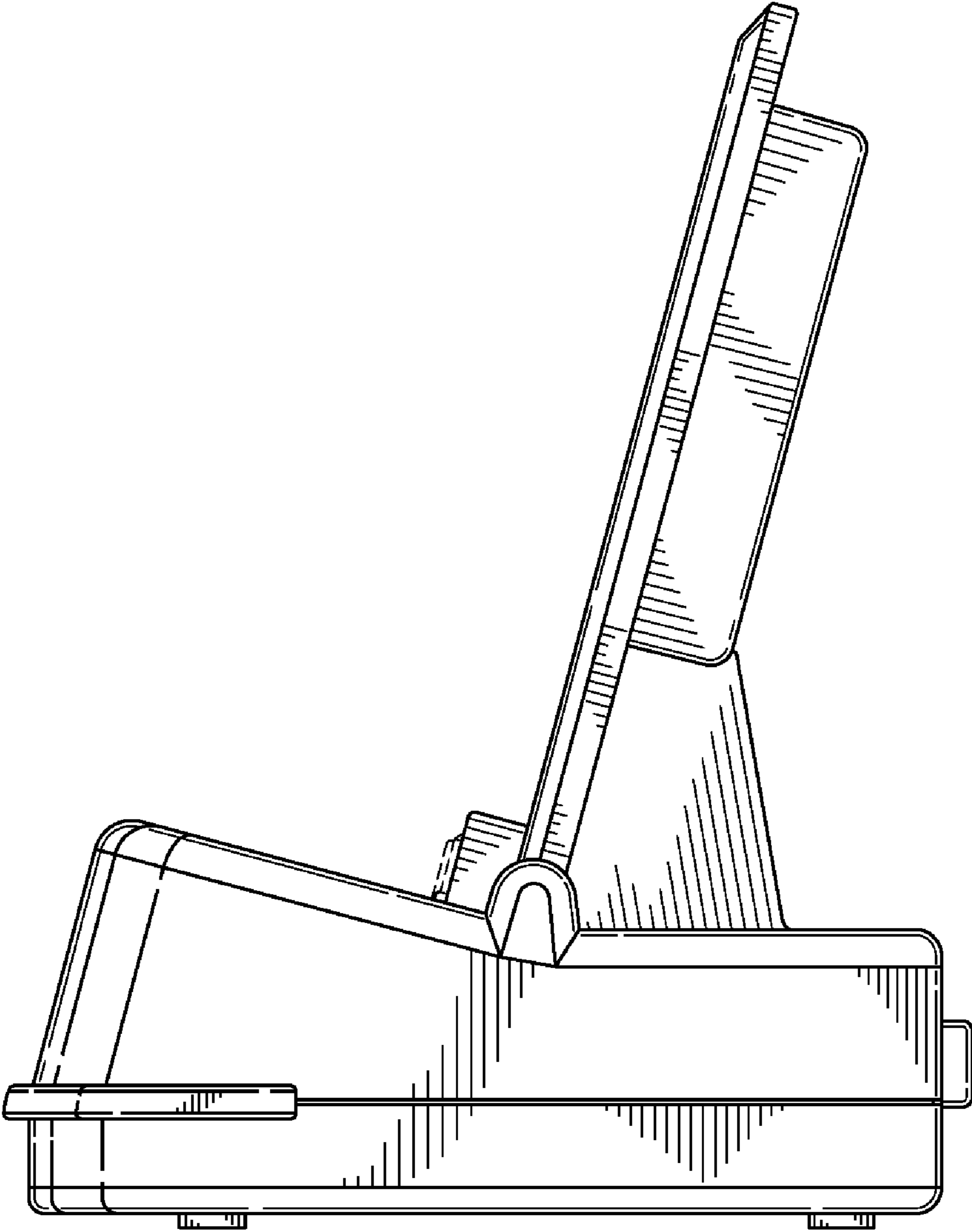


FIG. 5

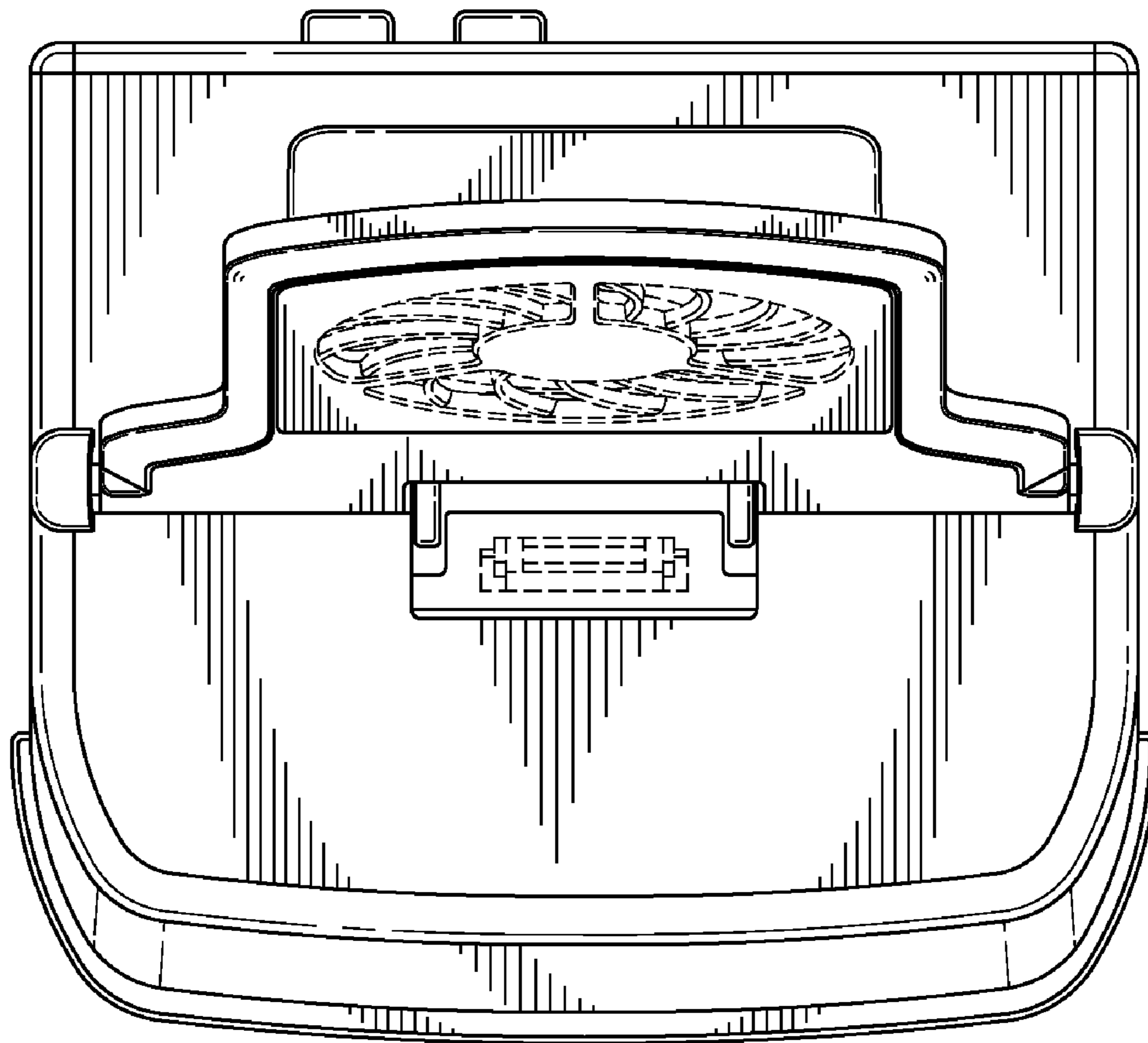


FIG. 6

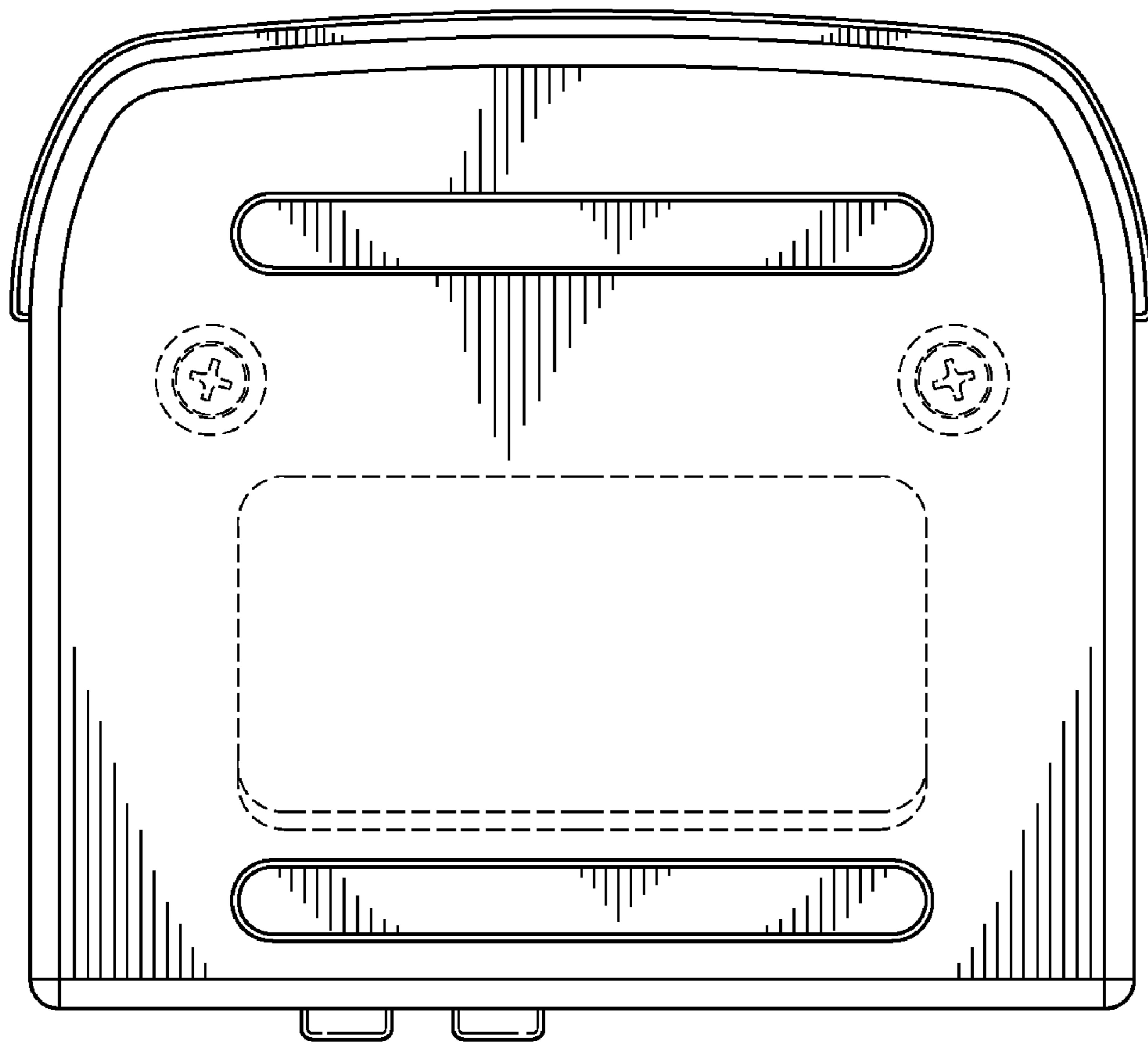


FIG. 7