



US00D627784S

(12) **United States Design Patent**
Yamamoto

(10) **Patent No.:** **US D627,784 S**

(45) **Date of Patent:** **** Nov. 23, 2010**

(54) **DUAL PORT USB ADAPTER**

(75) Inventor: **Yasuhiro Yamamoto**, Los Angeles, CA
(US)

(73) Assignee: **Ever Win International Corporation**,
City of Industry, CA (US)

(**) Term: **14 Years**

(21) Appl. No.: **29/316,873**

(22) Filed: **Nov. 10, 2009**

(51) **LOC (9) Cl.** **14-02**

(52) **U.S. Cl.** **D14/433; D14/435.1**

(58) **Field of Classification Search** D14/356,
D14/357, 358, 432, 433, 435, 435.1, 480.1–480.7,
D14/217, 238.1, 256; 710/305–317, 300;
711/115; 439/638; 361/679.41, 679.45

See application file for complete search history.

(56) **References Cited**

U.S. PATENT DOCUMENTS

D481,010 S *	10/2003	Yu	D13/147
D493,167 S *	7/2004	Yu	D14/256
D493,168 S *	7/2004	Yu	D14/256
6,804,749 B2 *	10/2004	Chien et al.	711/115
D526,648 S *	8/2006	Andre et al.	D14/314
D531,579 S *	11/2006	Peng et al.	D13/147
D533,177 S *	12/2006	Andre et al.	D14/314
D537,817 S *	3/2007	Andre et al.	D14/314

D538,223 S * 3/2007 Yang D14/435.1

D585,061 S * 1/2009 Han D14/358

D589,044 S * 3/2009 Yoshida et al. D14/358

D595,223 S * 6/2009 Yamamoto et al. D13/108

D602,019 S * 10/2009 Wang et al. D14/356

D604,725 S * 11/2009 Chen D14/240

2003/0225954 A1* 12/2003 Wu 710/305

2007/0229025 A1* 10/2007 Tsai et al. 320/111

* cited by examiner

Primary Examiner—Cathron C Brooks

Assistant Examiner—Deanna Fluegeman

(74) *Attorney, Agent, or Firm*—Joe Nieh

(57) **CLAIM**

The ornamental design for a dual port USB adapter, as shown and described.

DESCRIPTION

FIG. 1 is a perspective view of a dual port USB adapter showing my new design;

FIG. 2 is a top view thereof;

FIG. 3 is a front view thereof;

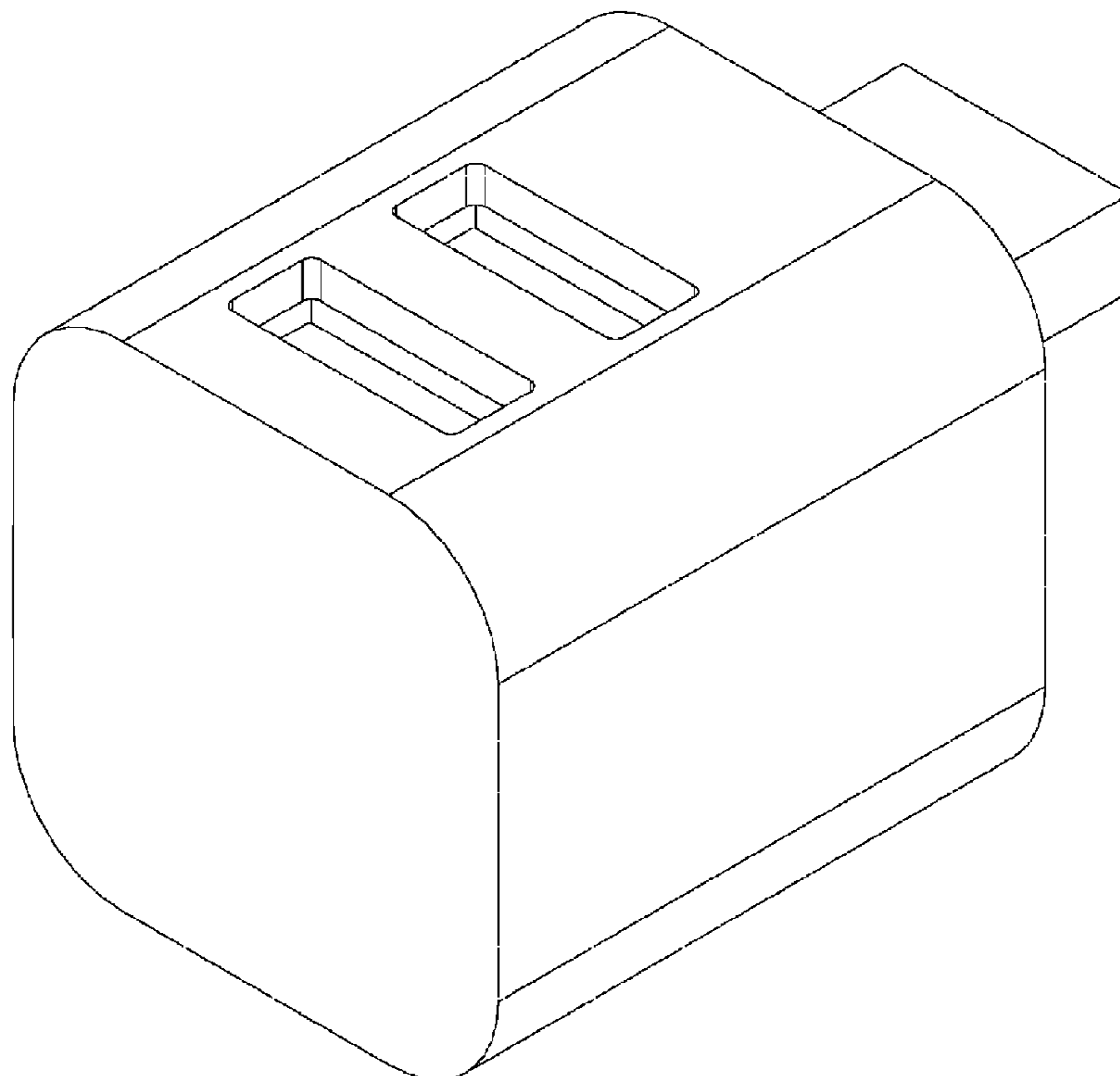
FIG. 4 is a bottom view thereof;

FIG. 5 is a left side view thereof;

FIG. 6 is a right side view thereof; and,

FIG. 7 is a rear view thereof.

1 Claim, 2 Drawing Sheets



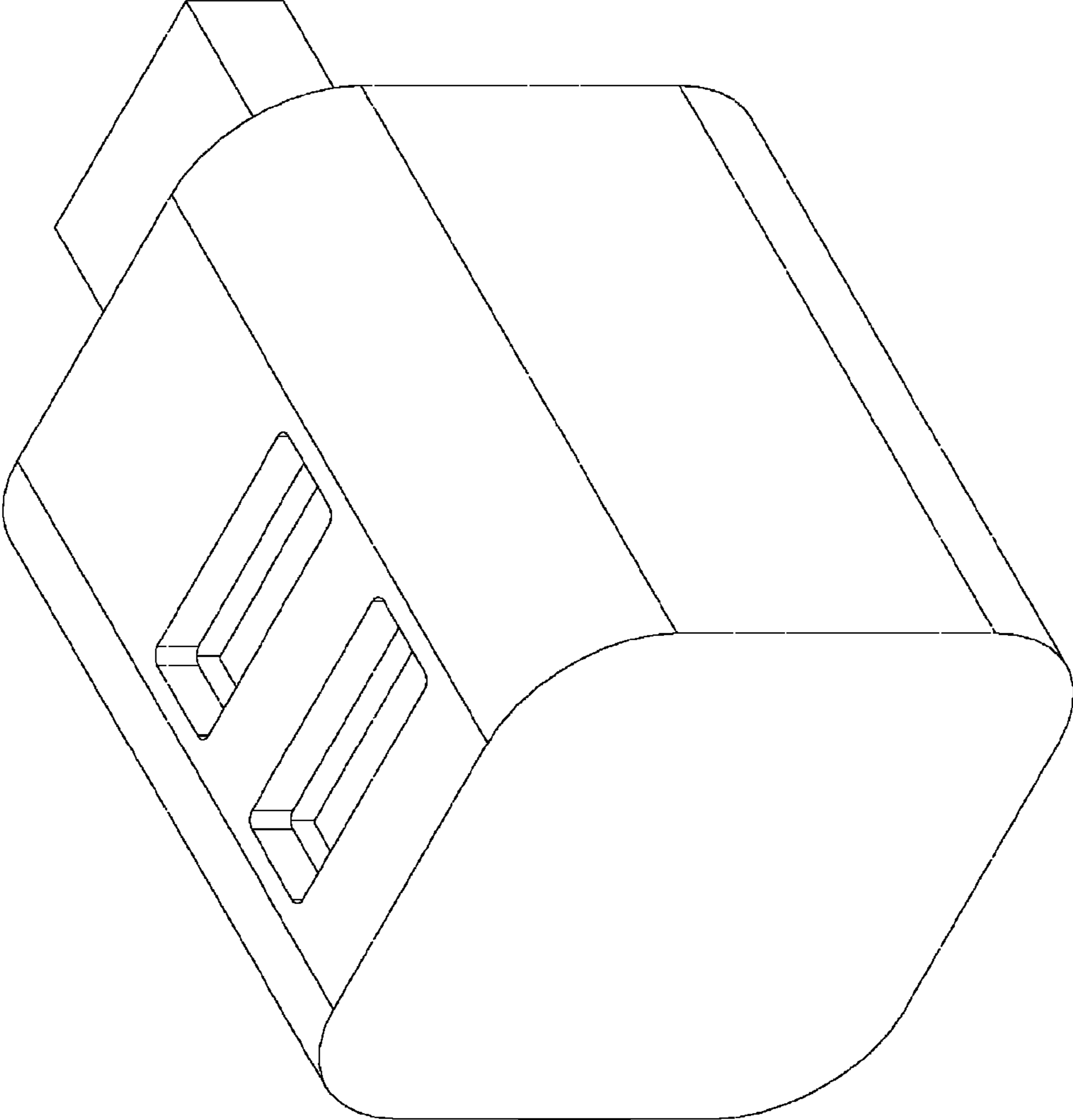


Fig. 1

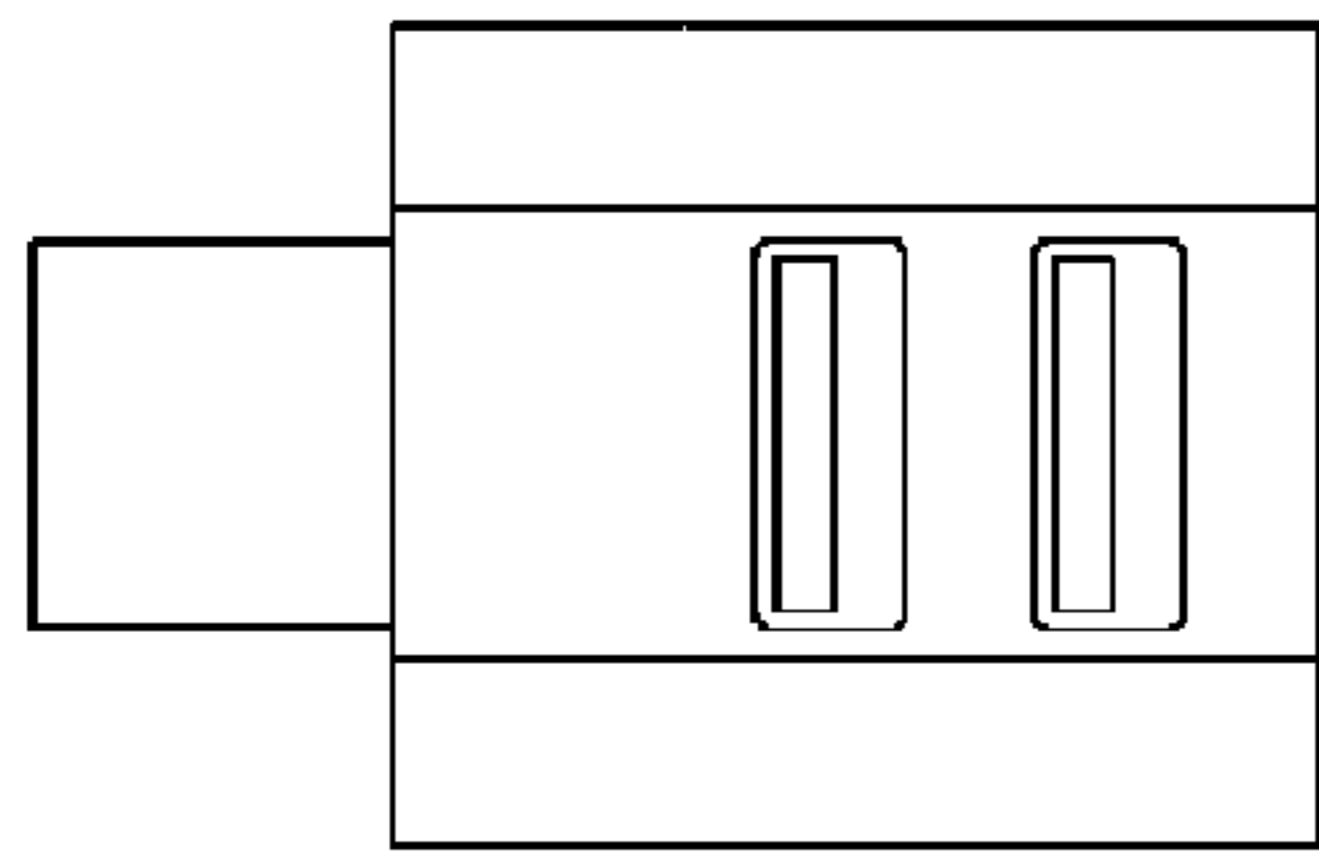


Fig. 2

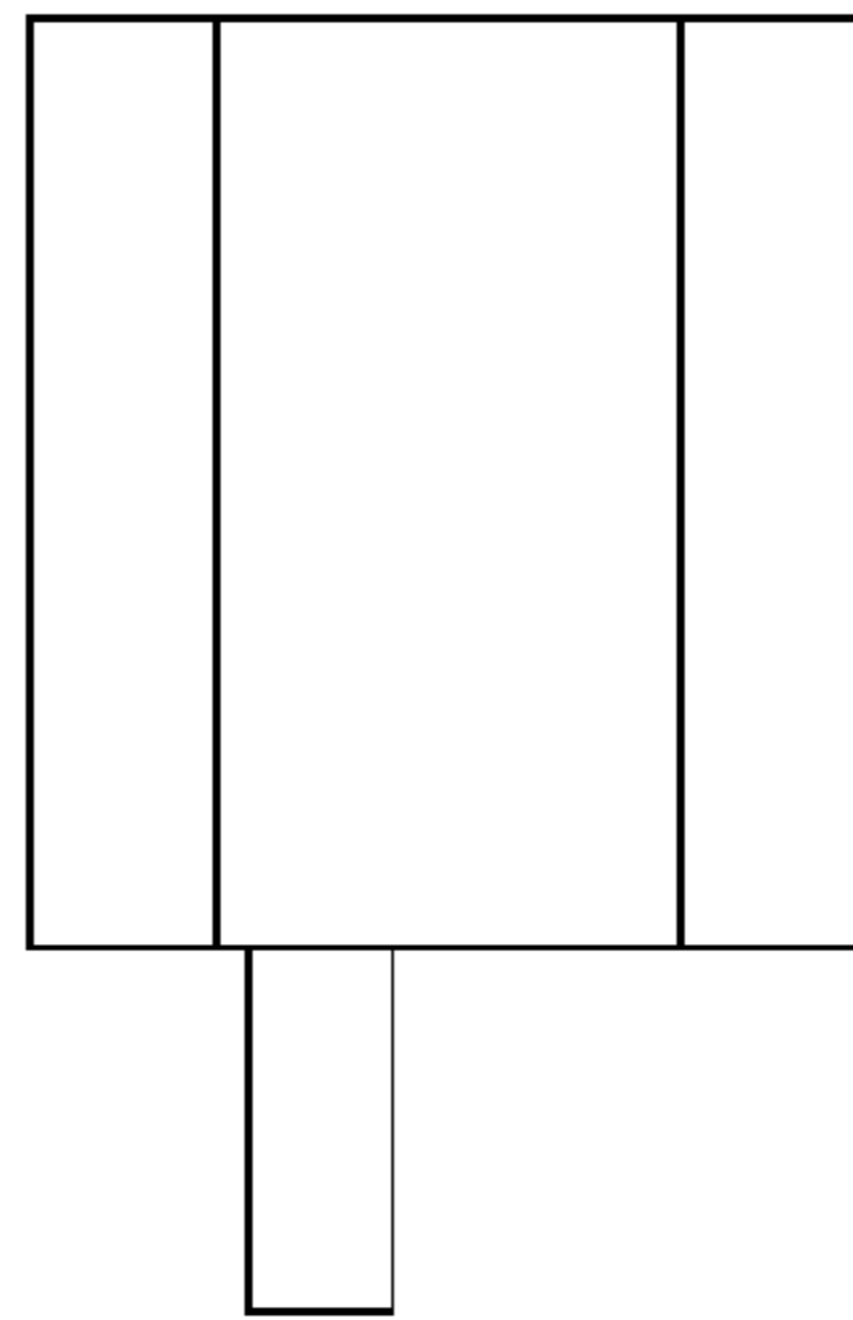


Fig. 5

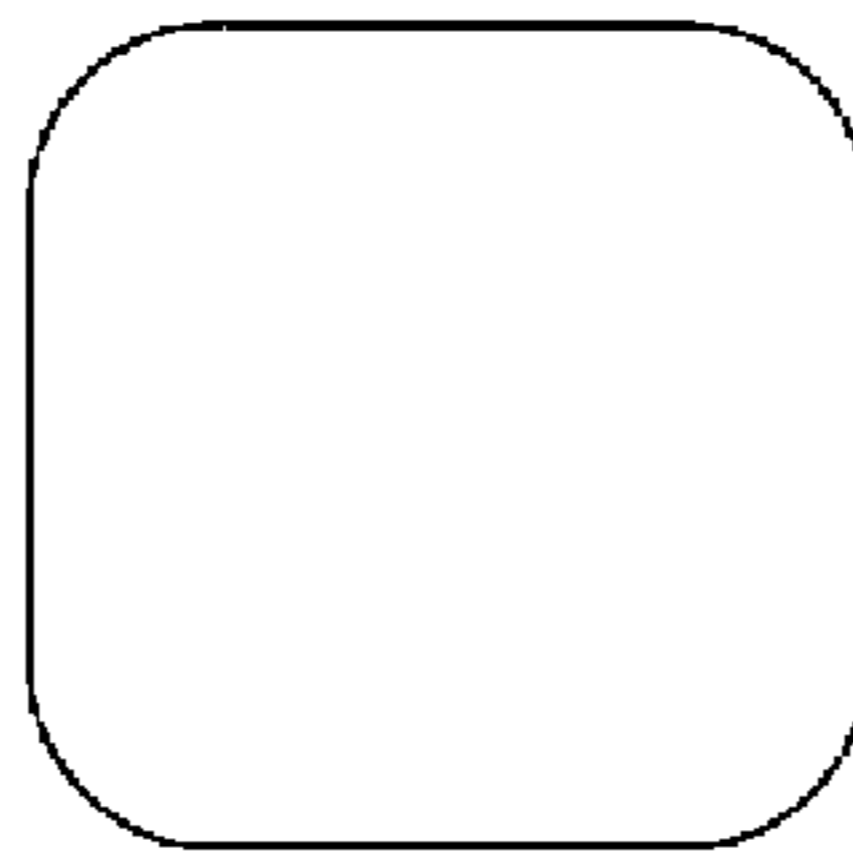


Fig. 3

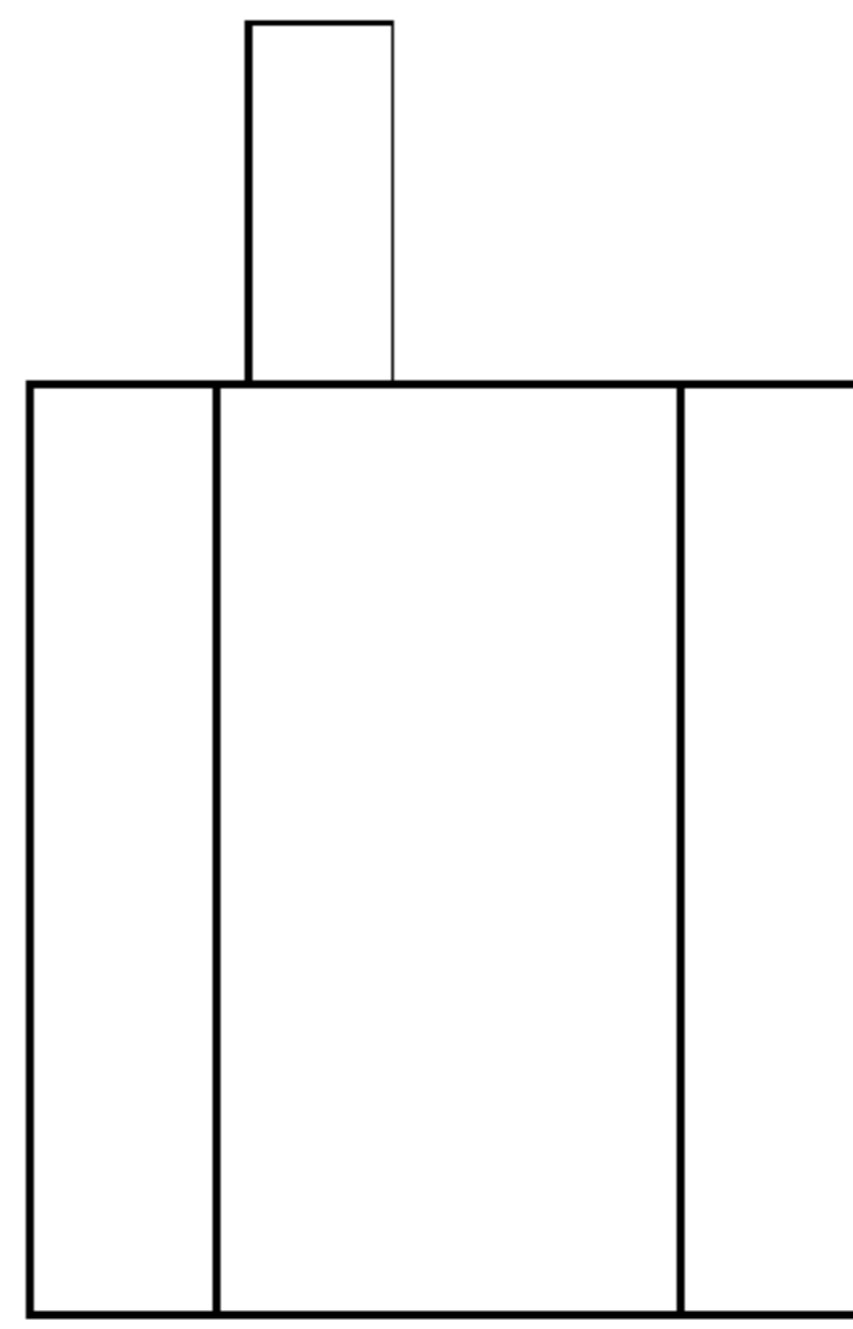


Fig. 6

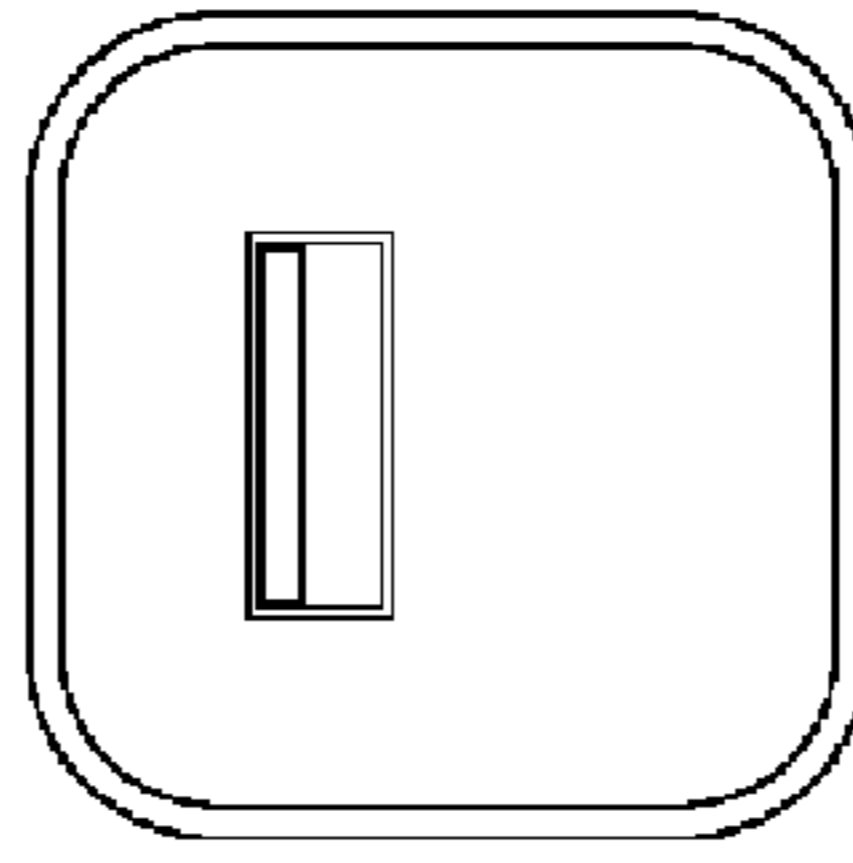


Fig. 7

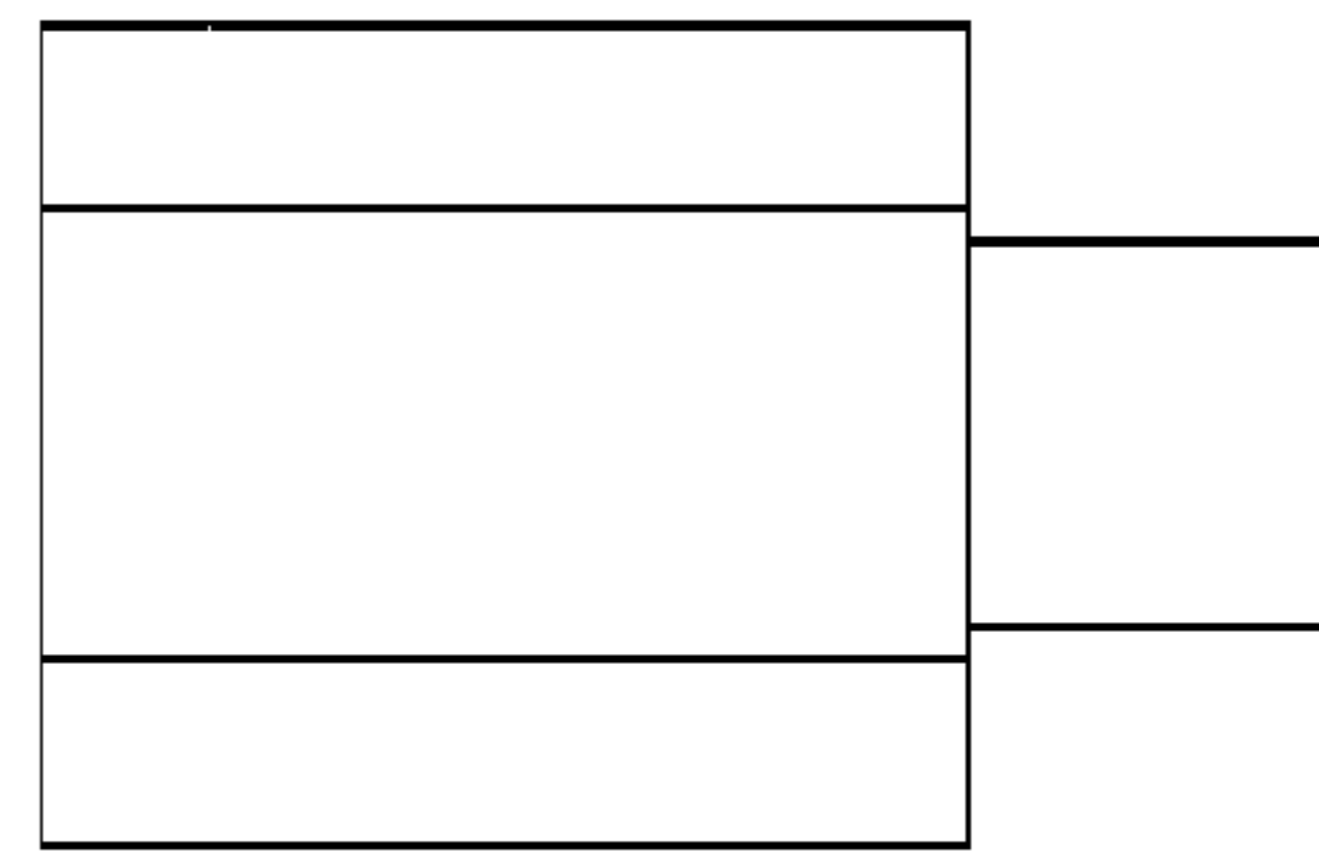


Fig. 4