

US00D627776S

(12) **United States Design Patent**  
**Seong**

(10) **Patent No.:** **US D627,776 S**

(45) **Date of Patent:** **\*\* Nov. 23, 2010**

(54) **ELECTRONIC BOOK**

(75) Inventor: **Bo-Kyung Seong**, Seoul (KR)

(73) Assignee: **Samsung Electronics Co., Ltd.**, Suwon, Kyunggi-do (KR)

(\*\*) Term: **14 Years**

(21) Appl. No.: **29/316,951**

(22) Filed: **Nov. 12, 2009**

(51) **LOC (9) Cl.** ..... **14-02**

(52) **U.S. Cl.** ..... **D14/341**

(58) **Field of Classification Search** ..... D14/341-347, D14/137, 138, 138.1, 138 AA, 138 R, 138 AB, D14/138 AC, 138 AD, 138 C, 138 G, 496, D14/203.1, 203.3, 203.4, 203.5, 203.6, 203.7, D14/426, 427, 428, 432, 429, 129, 130, 420, D14/439-441, 448, 125, 147, 156, 218, 247-248, D14/250, 389, 336; D10/65, 104; D18/6-7; D21/29, 686, 33, 324, 329, 330; D6/596, D6/601, 605; D19/60; 345/169, 901, 905; 348/169; 361/814; 341/122; 346/173; 379/433.04, 379/433.07, 433.11, 433.12, 433.13, 910, 379/916, 433.01, 433.06

See application file for complete search history.

(56) **References Cited**

**U.S. PATENT DOCUMENTS**

- D519,998 S \* 5/2006 Park ..... D14/346
- D532,791 S \* 11/2006 Kim ..... D14/203.7
- D572,023 S 7/2008 Park
- D572,025 S 7/2008 Kwon
- D579,898 S \* 11/2008 Lee et al. .... D14/138 G
- D592,628 S \* 5/2009 Kim et al. .... D14/138 AD
- D593,552 S \* 6/2009 Ferrari et al. .... D14/341

- D594,863 S \* 6/2009 Ichise et al. .... D14/345
- D598,014 S \* 8/2009 Marsh et al. .... D14/341
- D598,016 S 8/2009 Han et al.
- D600,243 S \* 9/2009 Miyaji et al. .... D14/346
- D601,535 S \* 10/2009 Huang ..... D14/138 AD
- D611,030 S \* 3/2010 Hirano ..... D14/138 G
- D615,059 S \* 5/2010 Price et al. .... D14/138 G
- D615,519 S \* 5/2010 Kim et al. .... D14/138 G
- D617,293 S \* 6/2010 Yoshihashi ..... D14/138 AD

**OTHER PUBLICATIONS**

U.S. Appl. No. 29/315,361, Applicant: Yong-Joo Lee et al., filed Jun. 18, 2009 entitled Electronic Frame.

\* cited by examiner

*Primary Examiner*—Cathron C Brooks

*Assistant Examiner*—Barbara Fox

(74) *Attorney, Agent, or Firm*—Flynn, Thiel, Boutell & Tanis, P.C.

(57) **CLAIM**

The ornamental design for an electronic book, as shown and described.

**DESCRIPTION**

FIG. 1 is a top front perspective view of an electronic book showing my new design;

FIG. 2 is a front elevational view thereof;

FIG. 3 is a rear elevational view thereof;

FIG. 4 is a left side elevational view thereof;

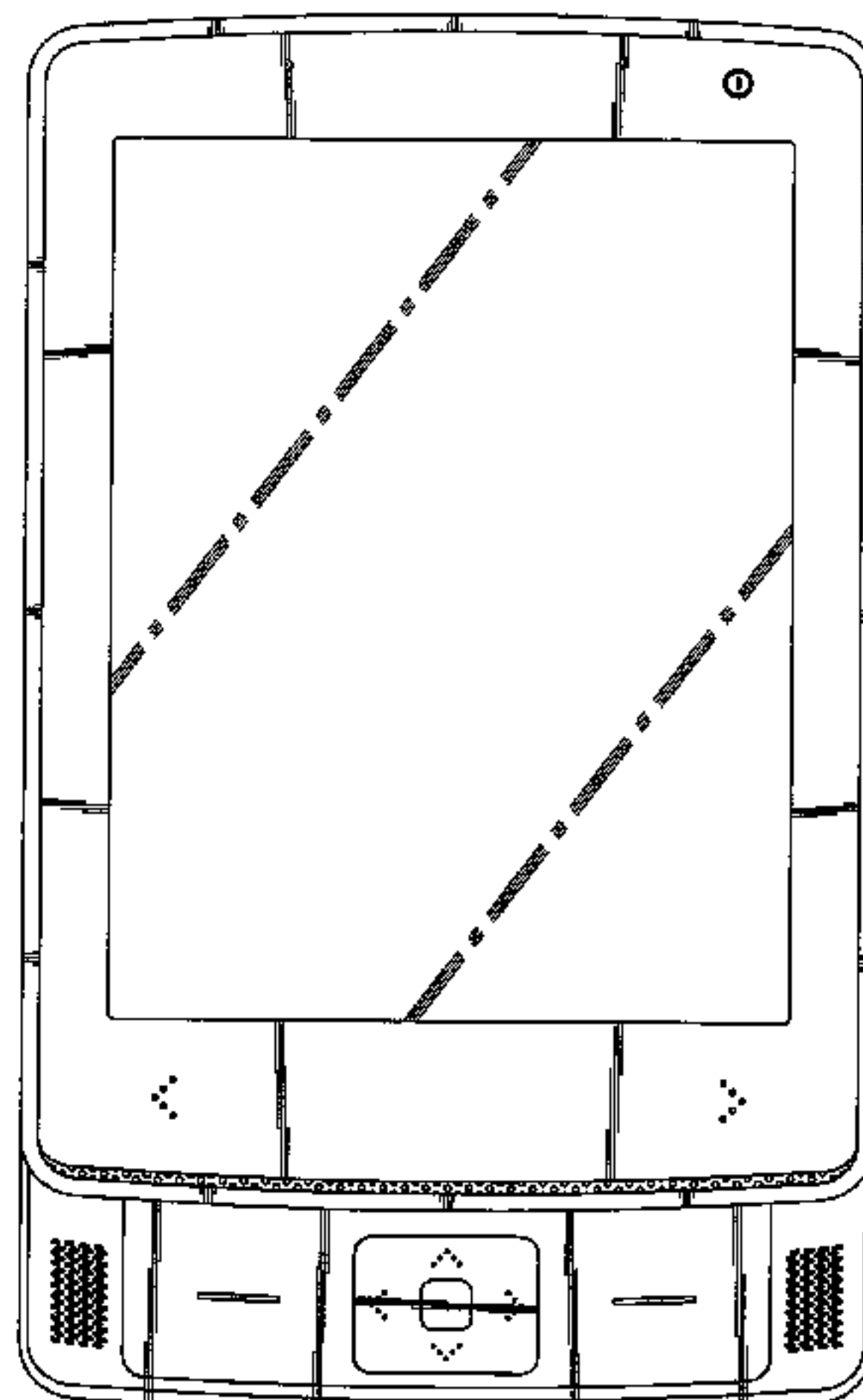
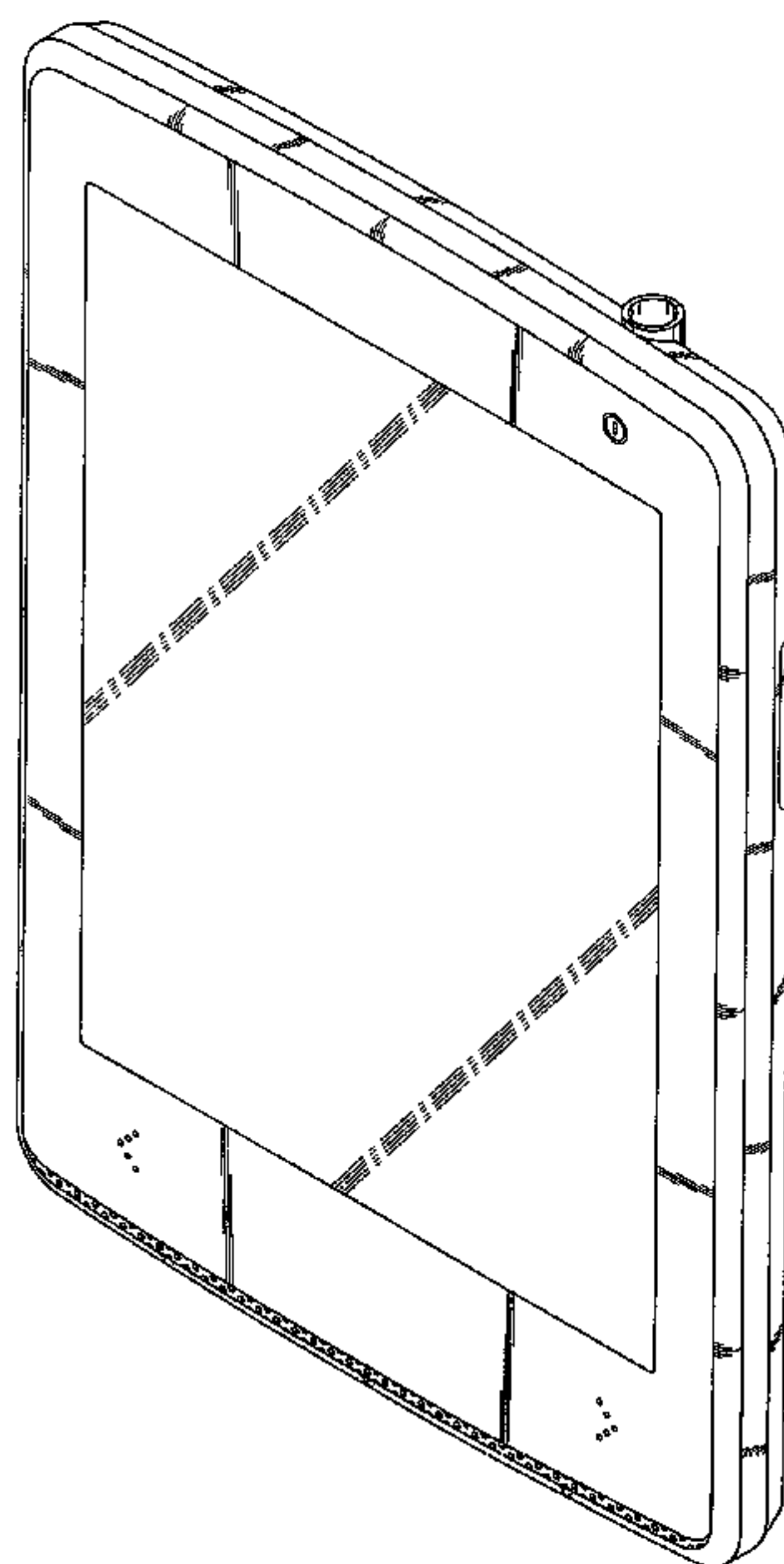
FIG. 5 is a right side elevational view thereof;

FIG. 6 is a top plan view thereof; and

FIG. 7 is a bottom plan view thereof; and,

FIG. 8 is a using state view thereof when slid down.

**1 Claim, 6 Drawing Sheets**



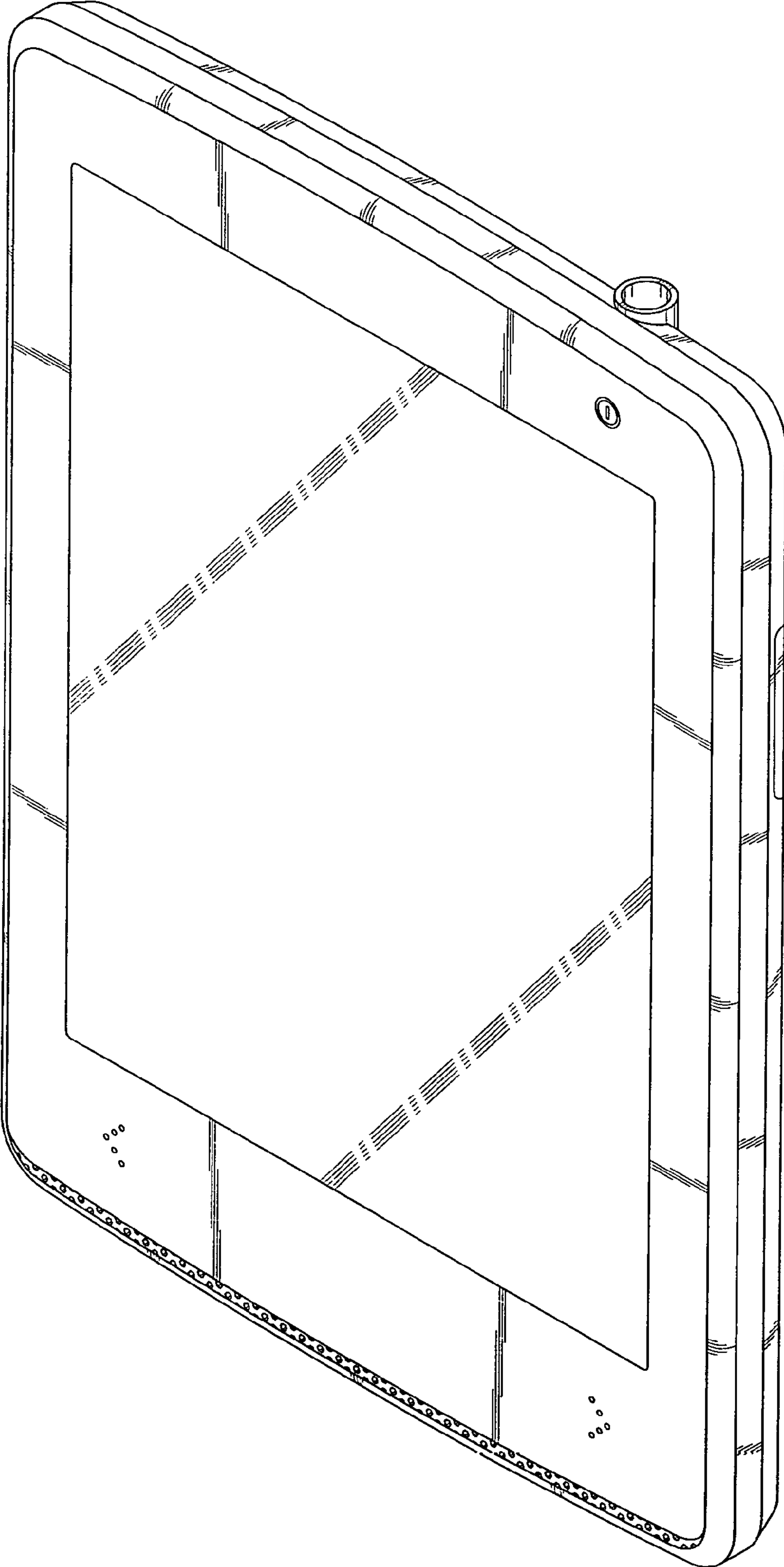


FIG. 1

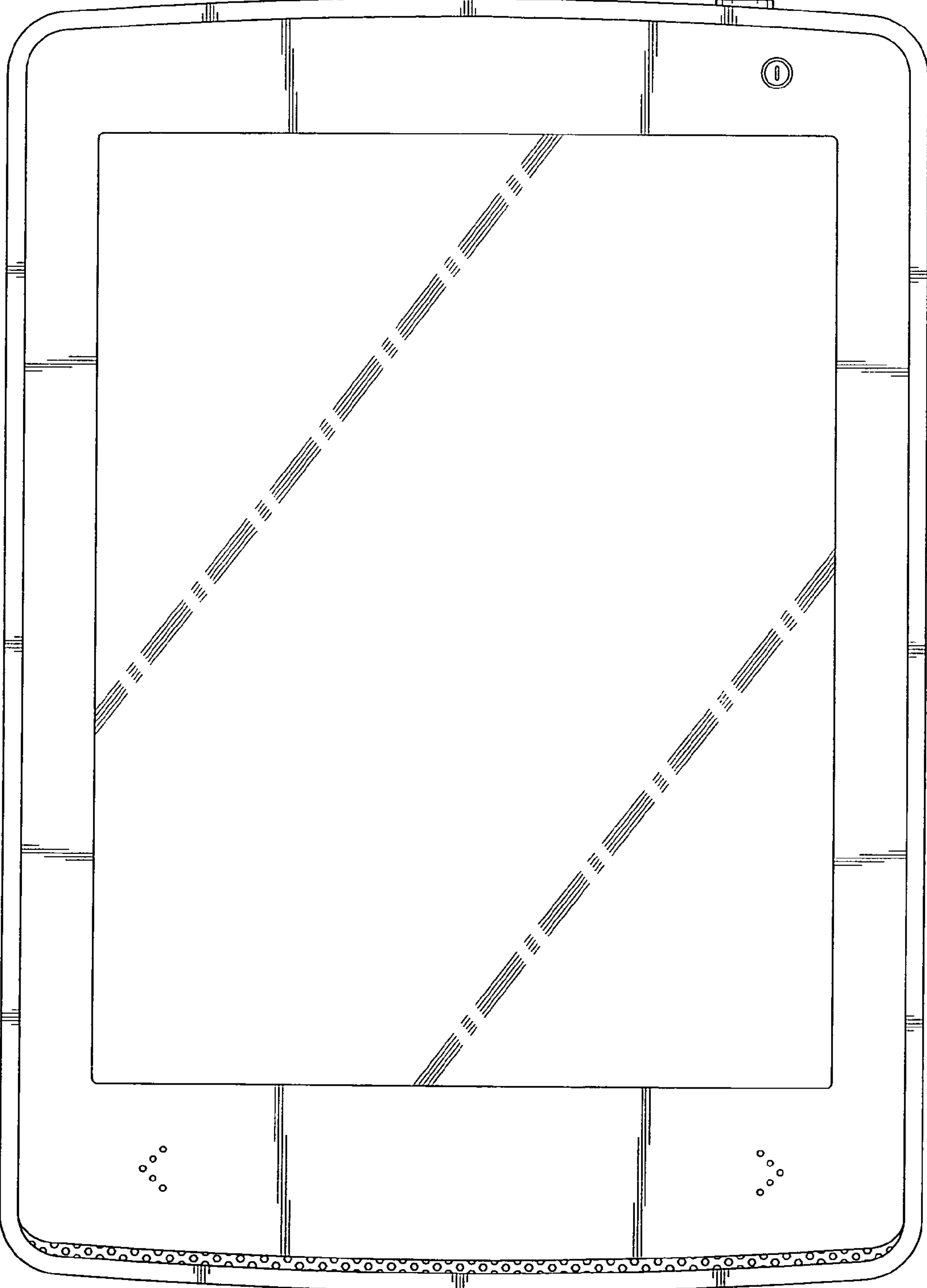


FIG. 2

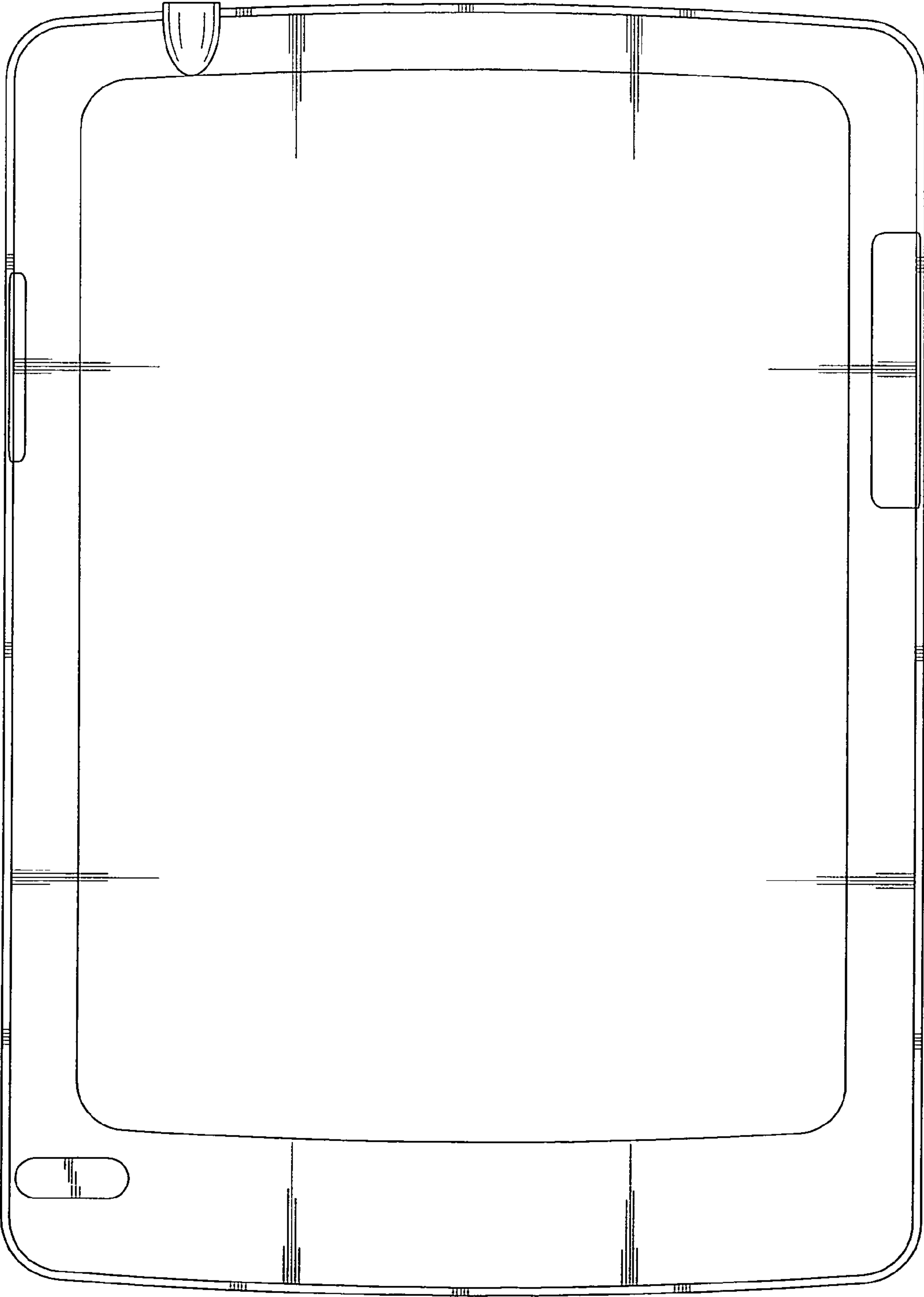


FIG. 3

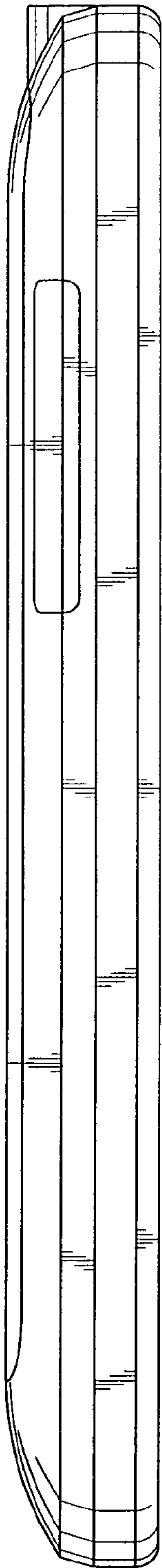


FIG. 4

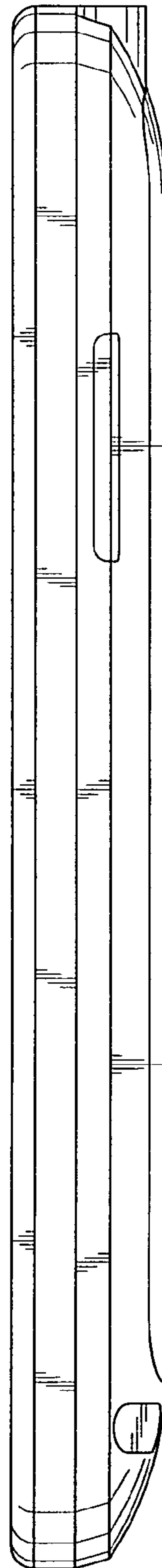


FIG. 5

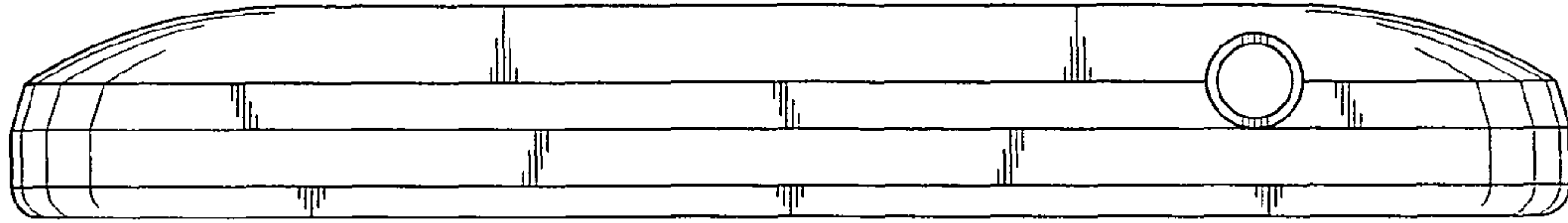


FIG. 6

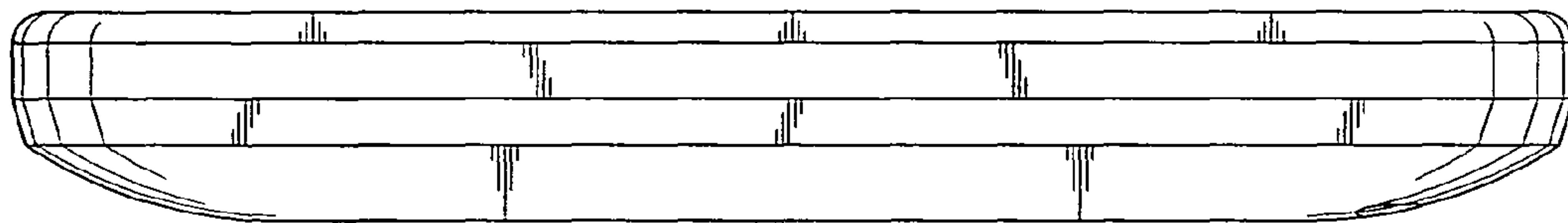


FIG. 7



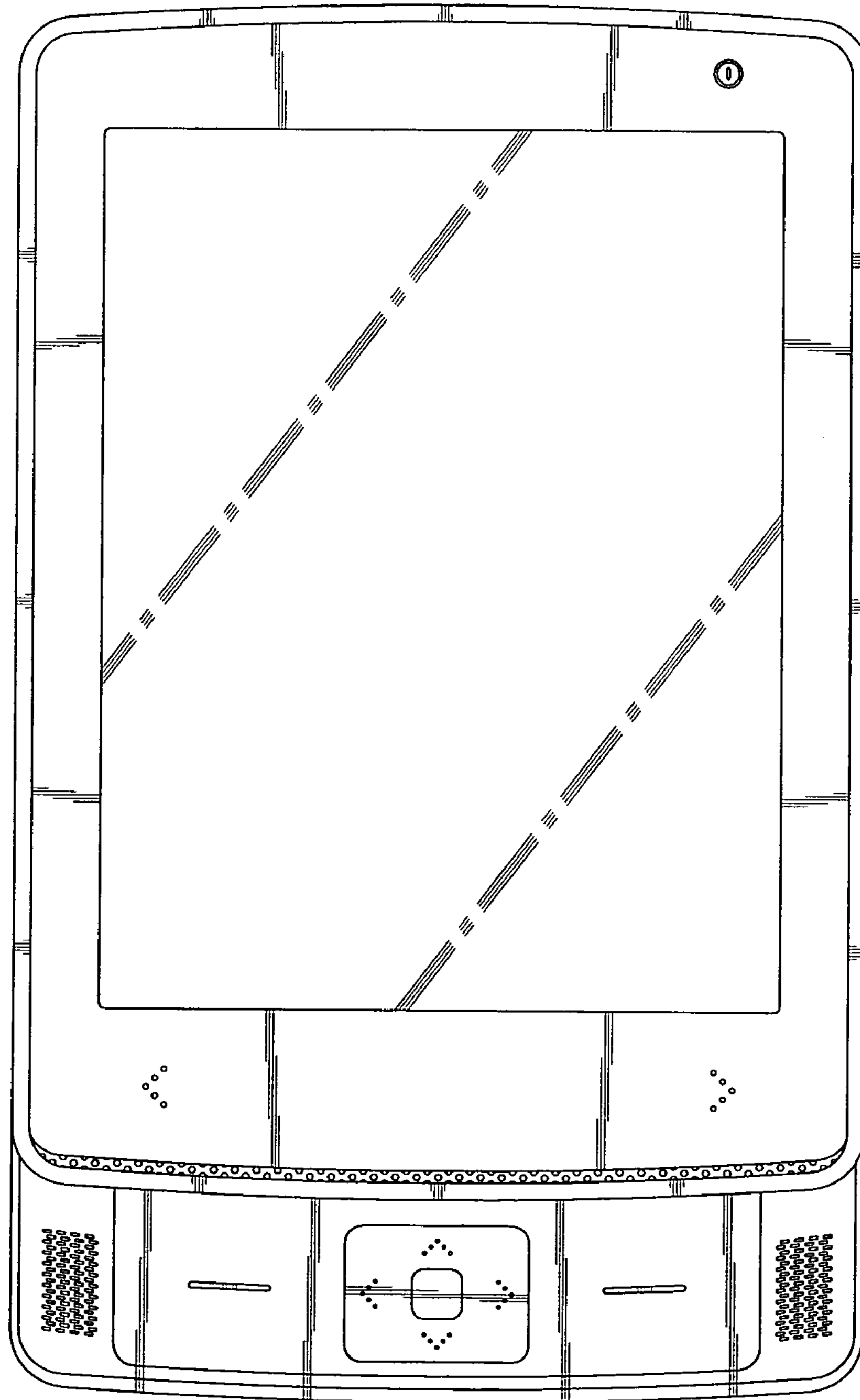


FIG. 8