



US00D627773S

(12) **United States Design Patent**
Paek

(10) **Patent No.:** **US D627,773 S**
(45) **Date of Patent:** **** Nov. 23, 2010**

(54) **NET BOOK**

(75) Inventor: **Seung-Hyun Paek**, Kyunggi-do (KR)

(73) Assignee: **Samsung Electronics Co., Ltd.**, Suwon, Kyunggi-do (KR)

(**) Term: **14 Years**

(21) Appl. No.: **29/349,024**

(22) Filed: **Mar. 2, 2010**

(51) **LOC (9) Cl.** **14-02**

(52) **U.S. Cl.** **D14/315**

(58) **Field of Classification Search** D14/315-323, D14/341-346; D19/26, 59, 60; 361/679.06-679.09, 361/679.1, 679.12; 349/12; 345/156, 168, 345/169, 172, 173; 178/18.03; 434/307 R, 434/317, 308, 309

See application file for complete search history.

(56) **References Cited**

U.S. PATENT DOCUMENTS

D332,944 S	2/1993	Kim	
D334,738 S	4/1993	Kim	
D335,870 S	5/1993	Yun	
D336,465 S	6/1993	Kim	
D338,457 S	8/1993	Kim	
D348,442 S	7/1994	Yoon	
D463,797 S *	10/2002	Andre et al. D14/327
D491,177 S *	6/2004	Andre et al. D14/318
D492,678 S	7/2004	Kim et al.	
D493,785 S *	8/2004	Andre et al. D14/318
D523,010 S	6/2006	Paek et al.	
D523,431 S	6/2006	Yoon	
D523,851 S	6/2006	Jeong et al.	
D523,852 S	6/2006	Kim et al.	
D524,306 S	7/2006	Yun et al.	
D524,307 S	7/2006	Kim et al.	
D535,652 S	1/2007	Lee et al.	
D547,309 S	7/2007	Yoon	
D547,310 S	7/2007	Yoon	
D556,192 S	11/2007	Jeong et al.	
D558,752 S *	1/2008	Andre et al. D14/315

D567,236 S	4/2008	Yoon	
D572,247 S *	7/2008	Andre et al. D14/315
D574,378 S *	8/2008	Andre et al. D14/315
D578,523 S	10/2008	Yoon	
D578,524 S	10/2008	Yoon	
D578,525 S	10/2008	Yoon	
D580,432 S	11/2008	Yun et al.	
D586,343 S	2/2009	Lee et al.	
D586,796 S	2/2009	Lee et al.	
D586,797 S	2/2009	Kawase et al.	
D587,701 S	3/2009	Yoon	
D596,633 S	7/2009	Kawase et al.	
D600,688 S *	9/2009	Andre et al. D14/327

(Continued)

OTHER PUBLICATIONS

U.S. Appl. No. 29/313,601, Applicant: Seung-Hyun Paek, filed Jan. 26, 2009 entitled Notebook Computer.

(Continued)

Primary Examiner—Cathron C Brooks

Assistant Examiner—Barbara Fox

(74) *Attorney, Agent, or Firm*—Flynn, Thiel, Boutell & Tanis, P.C.

(57) **CLAIM**

The ornamental design for a net book, as shown and described.

DESCRIPTION

FIG. 1 is a top front perspective view of a net book showing my new design;

FIG. 2 is a front elevational view thereof;

FIG. 3 is a rear elevational view thereof;

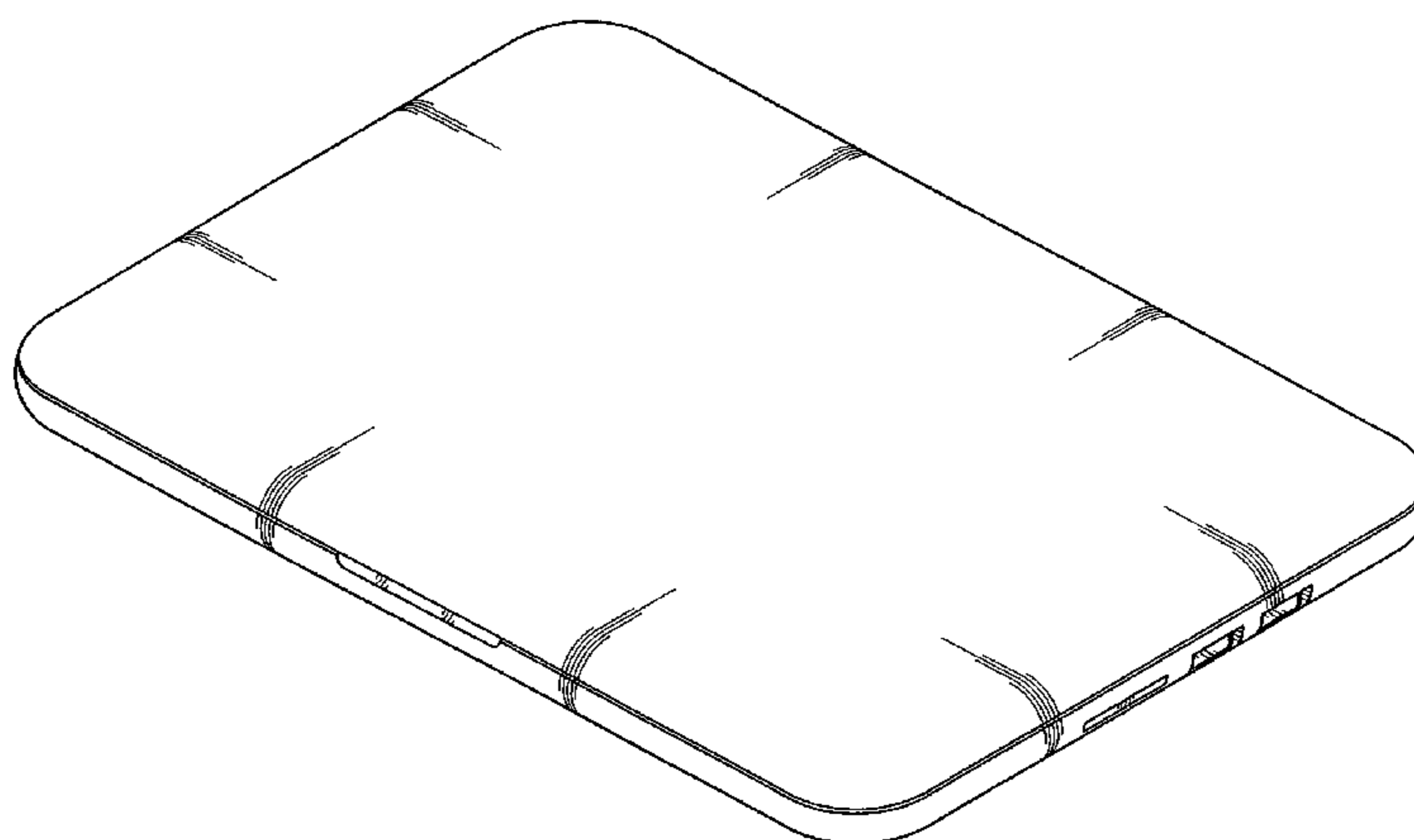
FIG. 4 is a left side elevational view thereof;

FIG. 5 is a right side elevational view thereof;

FIG. 6 is a top plan view thereof; and,

FIG. 7 is a bottom plan view thereof.

1 Claim, 4 Drawing Sheets



US D627,773 S

Page 2

U.S. PATENT DOCUMENTS

D602,485 S * 10/2009 Ting et al. D14/318
D603,391 S 11/2009 Song et al.
D603,392 S 11/2009 Jeong et al.
D603,393 S * 11/2009 Paek D14/315
D603,394 S 11/2009 Lee
D603,395 S 11/2009 Hong et al.
D603,861 S 11/2009 Hong et al.
D606,067 S * 12/2009 Yoon D14/315
D606,068 S 12/2009 Hong et al.
D606,069 S 12/2009 Heck et al.
D606,070 S 12/2009 Heck et al.
D606,534 S 12/2009 Hong et al.
D606,989 S * 12/2009 Andre et al. D14/315
D606,991 S * 12/2009 Liu et al. D14/327
D606,992 S * 12/2009 Liu et al. D14/327
D608,777 S * 1/2010 Yoon D14/315
D611,044 S * 3/2010 Andre et al. D14/327
D611,045 S * 3/2010 Andre et al. D14/327
D611,468 S 3/2010 Yun et al.
D611,941 S * 3/2010 Wang et al. D14/341
D614,180 S * 4/2010 Gou D14/318
D614,614 S * 4/2010 Yoon D14/315
D614,615 S * 4/2010 Yoon D14/315
D615,539 S * 5/2010 Jen D14/315

D616,881 S * 6/2010 Andre et al. D14/318
D617,789 S * 6/2010 Akana et al. D14/318

OTHER PUBLICATIONS

U.S. Appl. No. 29/315,566, Applicant: Sang-Won Yoon, filed Jul. 6, 2009 entitled Notebook Computer.
U.S. Appl. No. 29/315,567, Applicant: Sang-Won Yoon, filed Jul. 6, 2009 entitled Notebook Computer.
U.S. Appl. No. 29/349,005, Applicant: Atsushi Kawase et al., filed Mar. 1, 2010 entitled Note Book.
U.S. Appl. No. 29/349,008, Applicant: Se-O Lee et al., filed Mar. 2, 2010 entitled Net Book.
U.S. Appl. No. 29/349,009, Applicant: Sang-Won Yoon et al., filed Mar. 2, 2010 entitled Net Book.
U.S. Appl. No. 29/349,010, Applicant: Seung-Hyun Paek et al., filed Mar. 2, 2010 entitled Net Book.
U.S. Appl. No. 29/349,011, Applicant: Se-O Lee et al., filed Mar. 2, 2010, entitled Net Book.
U.S. Appl. No. 29/349,022, Applicant: Sang-Won Yoon, et al., filed Mar. 2, 2010 entitled Net Book.
U.S. Appl. No. 29/349,023, Applicant: Sang-Won Yoon, filed Mar. 2, 2010 entitled Net Book.
U.S. Appl. No. 29/349,025, Applicant: Sang-Won Yoon, filed Mar. 2, 2010 entitled Net Book.

* cited by examiner

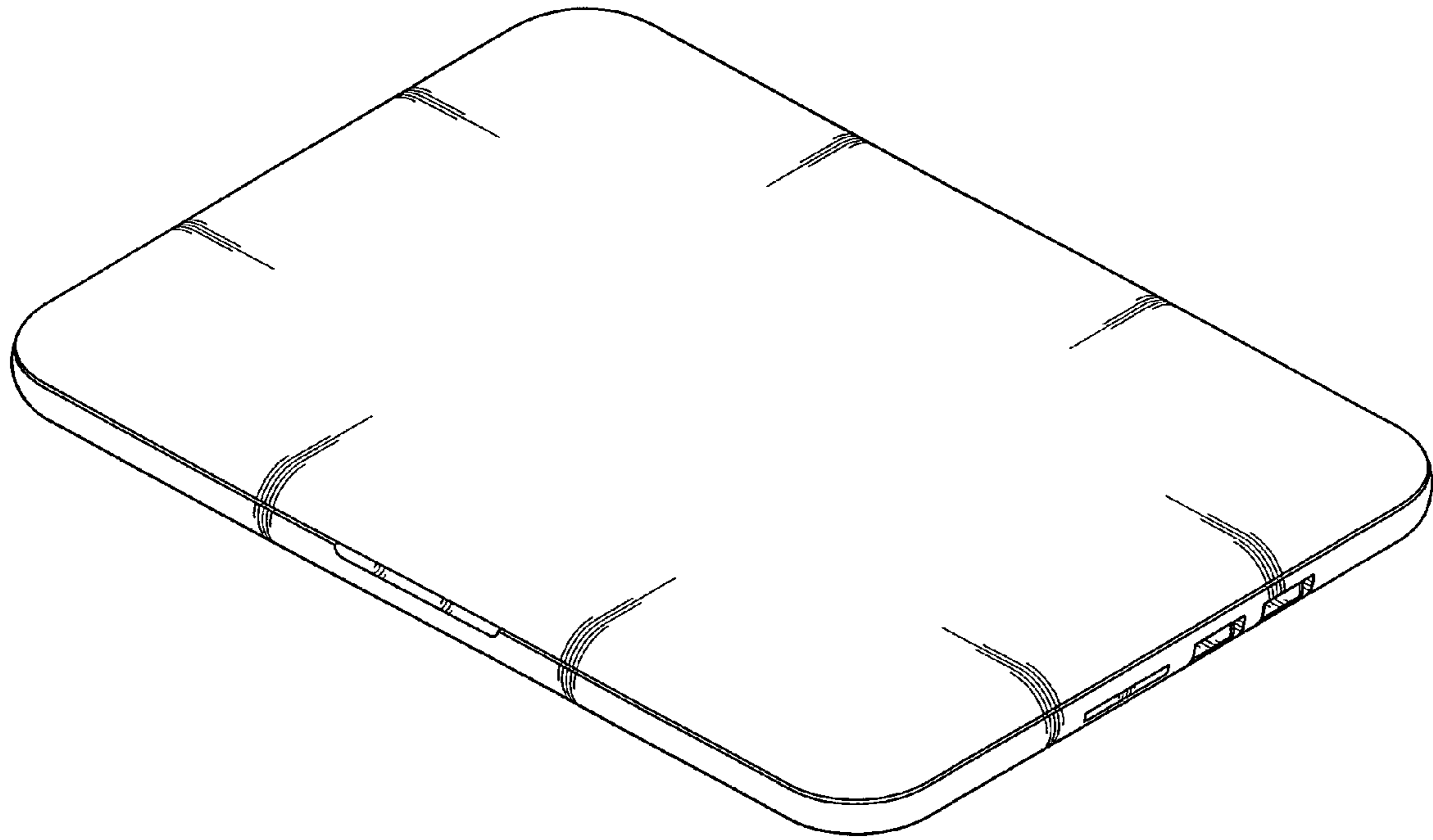


FIG. 1

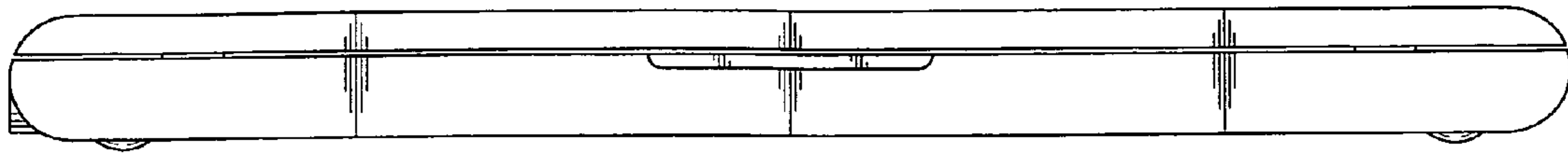


FIG. 2

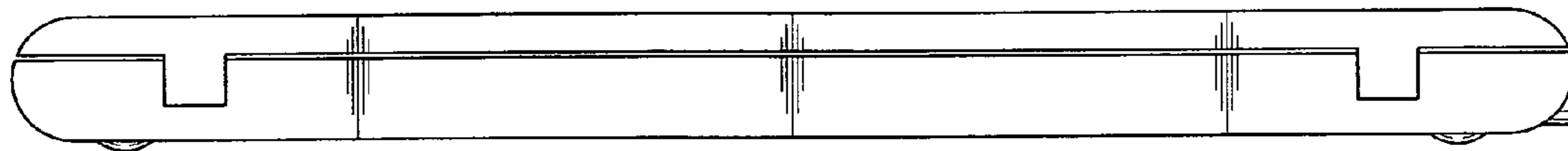


FIG. 3

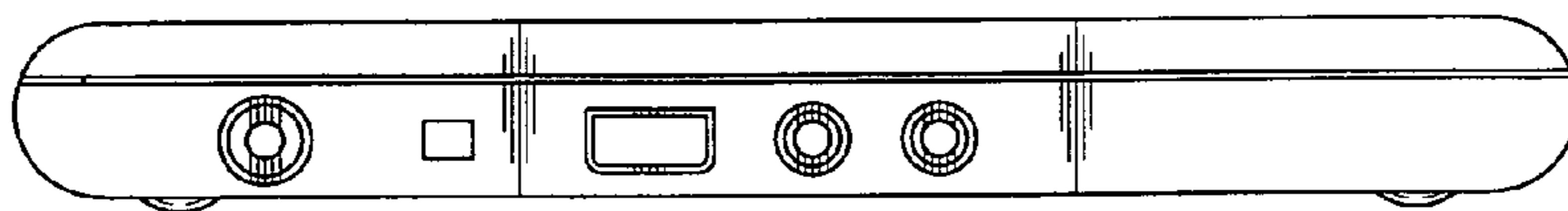


FIG. 4

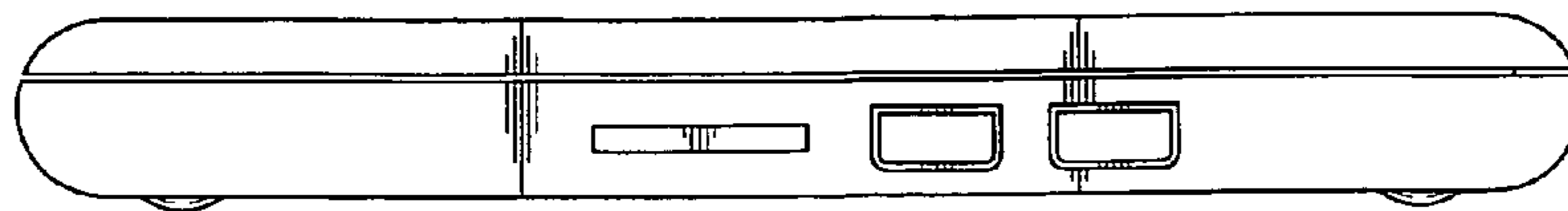


FIG. 5

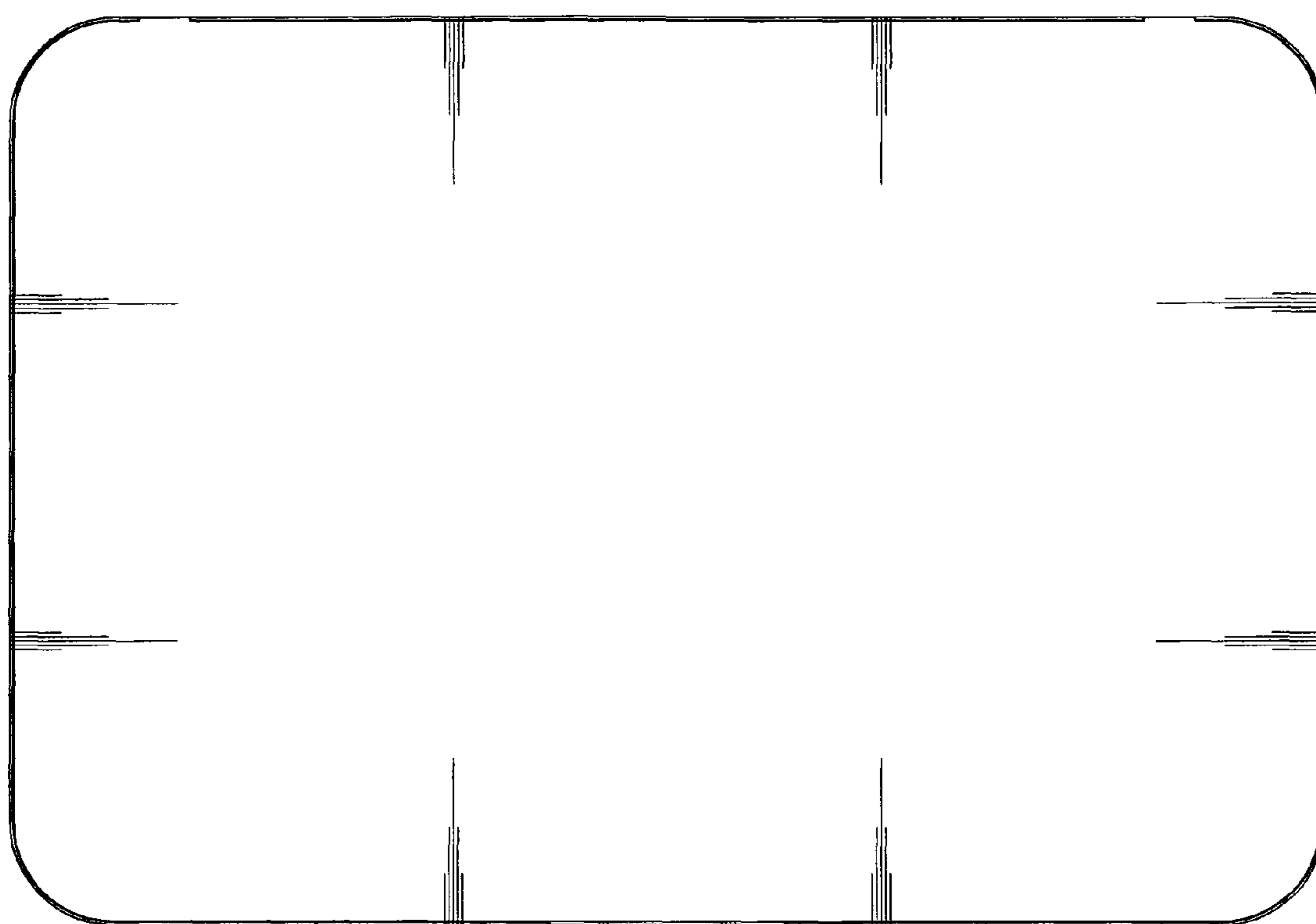


FIG.6

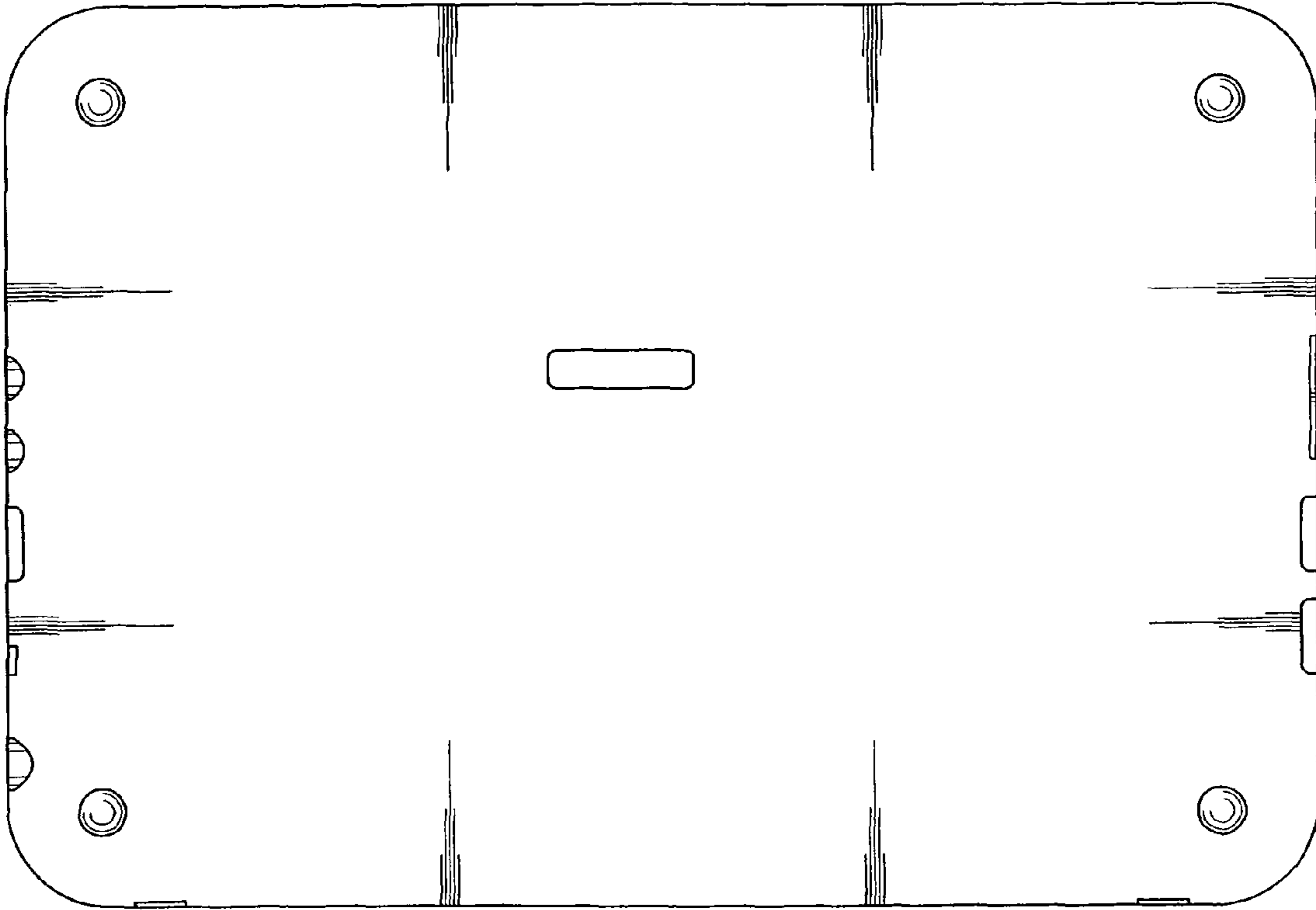


FIG. 7