



US00D627769S

(12) **United States Design Patent**  
**Kumagai**

(10) **Patent No.:** **US D627,769 S**

(45) **Date of Patent:** **\*\* Nov. 23, 2010**

(54) **MOBILE PHONE**

(75) Inventor: **Yoshiaki Kumagai**, Tokyo (JP)

(73) Assignee: **Sony Ericsson Mobile Communications Japan, Inc.**, Tokyo (JP)

(\*\*) Term: **14 Years**

(21) Appl. No.: **29/347,342**

(22) Filed: **Dec. 10, 2009**

(30) **Foreign Application Priority Data**

Jul. 15, 2009 (JP) ..... D2009-016142

(51) **LOC (9) Cl.** ..... **14-03**

(52) **U.S. Cl.** ..... **D14/248**

(58) **Field of Classification Search** ..... D14/137, D14/138 R, 138 AA, 138 AB, 138 AD, 138 C, D14/138 G, 143-144, 147-148, 156, 218, D14/248, 341-347, 390, 399, 496, 138 AC, D14/130, 140, 142, 240, 242, 299; D13/168; D21/329, 331, 333, 517; 348/14.01-14.02; 361/814; 379/433.01-433.13; 455/90.3, 455/566.1-556.2, 566, 575.1, 575.3, 575.4; D6/300

See application file for complete search history.

(56) **References Cited**

**U.S. PATENT DOCUMENTS**

- D259,420 S \* 6/1981 Genaro et al. .... D14/142
- D262,026 S \* 11/1981 Garan ..... D14/240
- D270,061 S \* 8/1983 Ackeret ..... D6/308
- D491,156 S \* 6/2004 Kawakami et al. .... D14/138 G
- D506,877 S \* 7/2005 Snell ..... D6/300
- D515,072 S \* 2/2006 Lee ..... D14/218
- D555,170 S \* 11/2007 Dai ..... D14/496
- D562,314 S \* 2/2008 Han et al. .... D14/248
- D568,309 S \* 5/2008 Cebe et al. .... D14/341
- D569,862 S \* 5/2008 Mitchell et al. .... D14/248
- D571,757 S \* 6/2008 Kesler et al. .... D14/137
- D574,805 S \* 8/2008 Cobb ..... D14/138 AA

- D580,431 S \* 11/2008 Morita ..... D14/341
- D585,411 S \* 1/2009 Eaton ..... D14/138 G
- D585,869 S \* 2/2009 Waterman et al. .... D14/147
- D586,342 S \* 2/2009 Stone ..... D14/248
- D587,697 S \* 3/2009 Bjorninen et al. .... D14/248
- D594,031 S \* 6/2009 Rayn ..... D14/496
- D594,836 S \* 6/2009 Harju ..... D14/138 AD
- D595,712 S \* 7/2009 Guery et al. .... D14/341
- D598,414 S \* 8/2009 Joung et al. .... D14/138 G
- D607,874 S \* 1/2010 Sheba et al. .... D14/203.7
- D612,355 S \* 3/2010 Luo ..... D14/138 AC
- D616,871 S \* 6/2010 Enervold et al. .... D14/218
- D616,879 S \* 6/2010 Kim et al. .... D14/250
- 2003/0125094 A1 \* 7/2003 Hyun et al. .... 455/566

**OTHER PUBLICATIONS**

Nokia 5230, announced Aug. 2009, <URL:http://www.gsmarena.com/nokia\_5230-2909.php>, retrieved from internet Jun. 15, 2010.\*  
 Samsung M8910 Pixon12, announced , <URL:http://www.gsmarena.com/samsung\_m8910\_pixon12-pictures-2813.php>, retrieved from internet Jun. 15, 2010.\*  
 Philips V808, announced Oct. 2009, <URL:http://www.gsmarena.com/philips\_v808-pictures-2904.php>, retrieved from internet Jun. 15, 2010.\*  
 Toshiba G810, announced Feb. 2008, <URL:http://www.gsmarena.com/toshiba\_g810-pictures-2273.php>, retrieved from internet Jun. 15, 2010.\*

\* cited by examiner

*Primary Examiner*—Robert M Spear

*Assistant Examiner*—Carla Jobe Wright

(74) *Attorney, Agent, or Firm*—Rader, Fishman & Grauer PLLC

(57) **CLAIM**

The ornamental design for a mobile phone, as shown and described.

**DESCRIPTION**

FIG. 1 is a front, top, left perspective view of a mobile phone showing my new design;

FIG. 2 is a front elevational view thereof;

FIG. 3 is a rear elevational view thereof;

FIG. 4 is a top plan view thereof;

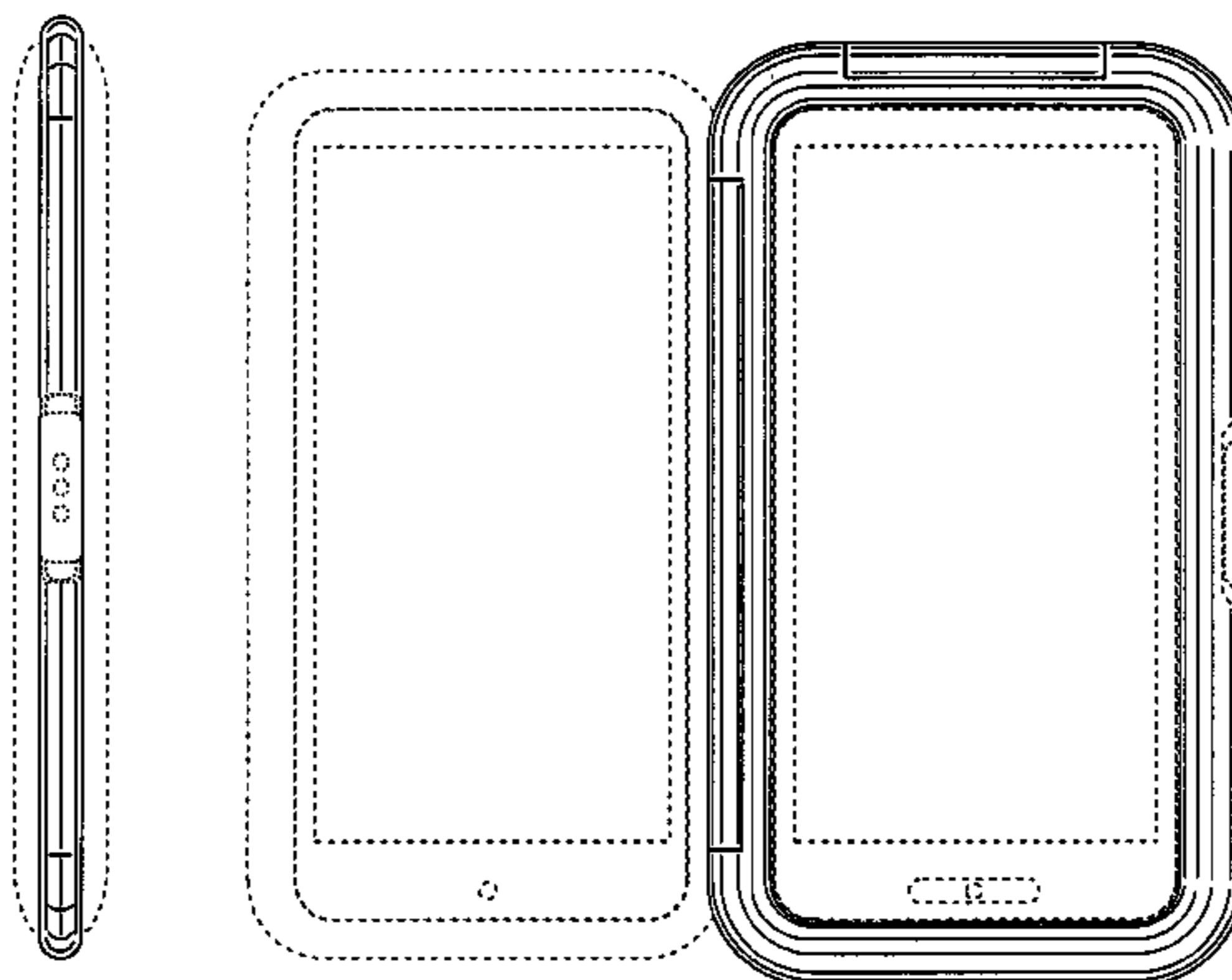


FIG. 5 is a bottom plan view thereof;  
FIG. 6 is a right side elevational view thereof;  
FIG. 7 is a left side elevational view thereof;  
FIG. 8 is a front, top, left perspective view thereof, wherein the front housing is in the open position;  
FIG. 9 is a front elevational view thereof;  
FIG. 10 is a rear elevational view thereof;  
FIG. 11 is a top plan view thereof; and  
FIG. 12 is a right side elevational view thereof.  
FIG. 13 is a rear, top, left perspective view of the mobile phone shown in FIG. 1, wherein the rear housing is in the open position;  
FIG. 14 is a front elevational view thereof;  
FIG. 15 is a rear elevational view thereof;  
FIG. 16 is a top plan view thereof; and  
FIG. 17 is a right side elevational view thereof.  
FIG. 18 is a front, top, left perspective view of the mobile phone shown in FIG. 1, wherein the front and rear housings are in the open position;  
FIG. 19 is a rear, top, left perspective view thereof; and  
FIG. 20 is a front elevational view thereof.

FIG. 21 is a cross-sectional view of the mobile shown in FIG. 1, taken along the line 21—21 of FIG. 6;  
FIG. 22 is a cross-sectional view thereof, taken along the line 22—22 of FIG. 9;  
FIG. 23 is a cross-sectional view thereof, taken along the line 23—23 of FIG. 14;  
FIG. 24 is an enlarged cross-sectional view thereof, taken from within the area sectioned off by the lines 24—24 and 24'—24' of FIG. 22;  
FIG. 25 is an enlarged cross-sectional view thereof, taken from within the area sectioned off by the line 25—25 of FIG. 22;  
FIG. 26 is an enlarged cross-sectional view thereof, taken from within the area sectioned off by the lines 26—26 and 26'—26' of FIG. 23; and,  
FIG. 27 is an enlarged cross-sectional view thereof, taken from within the area sectioned off by the line 27—27 of FIG. 23.  
In the drawing, the broken lines depict unclaimed environment.

**1 Claim, 27 Drawing Sheets**

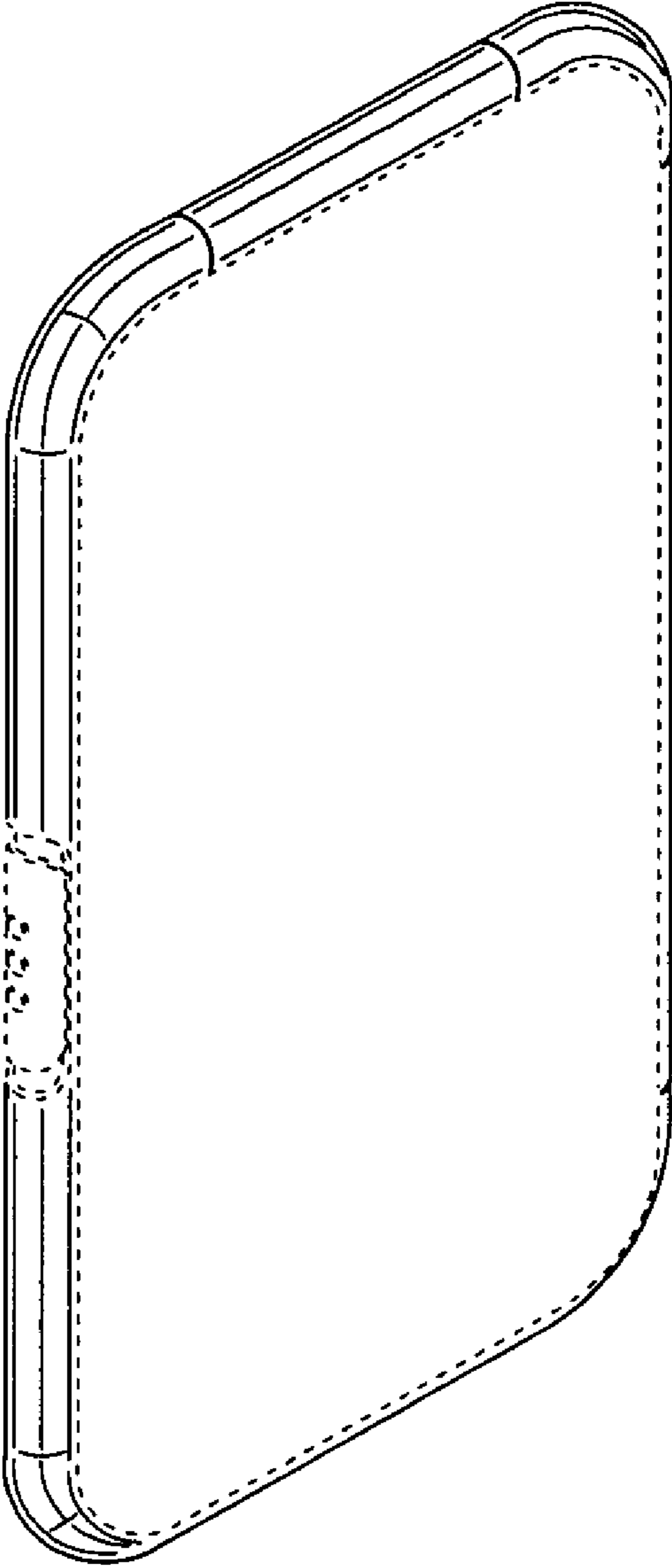


FIG. 1

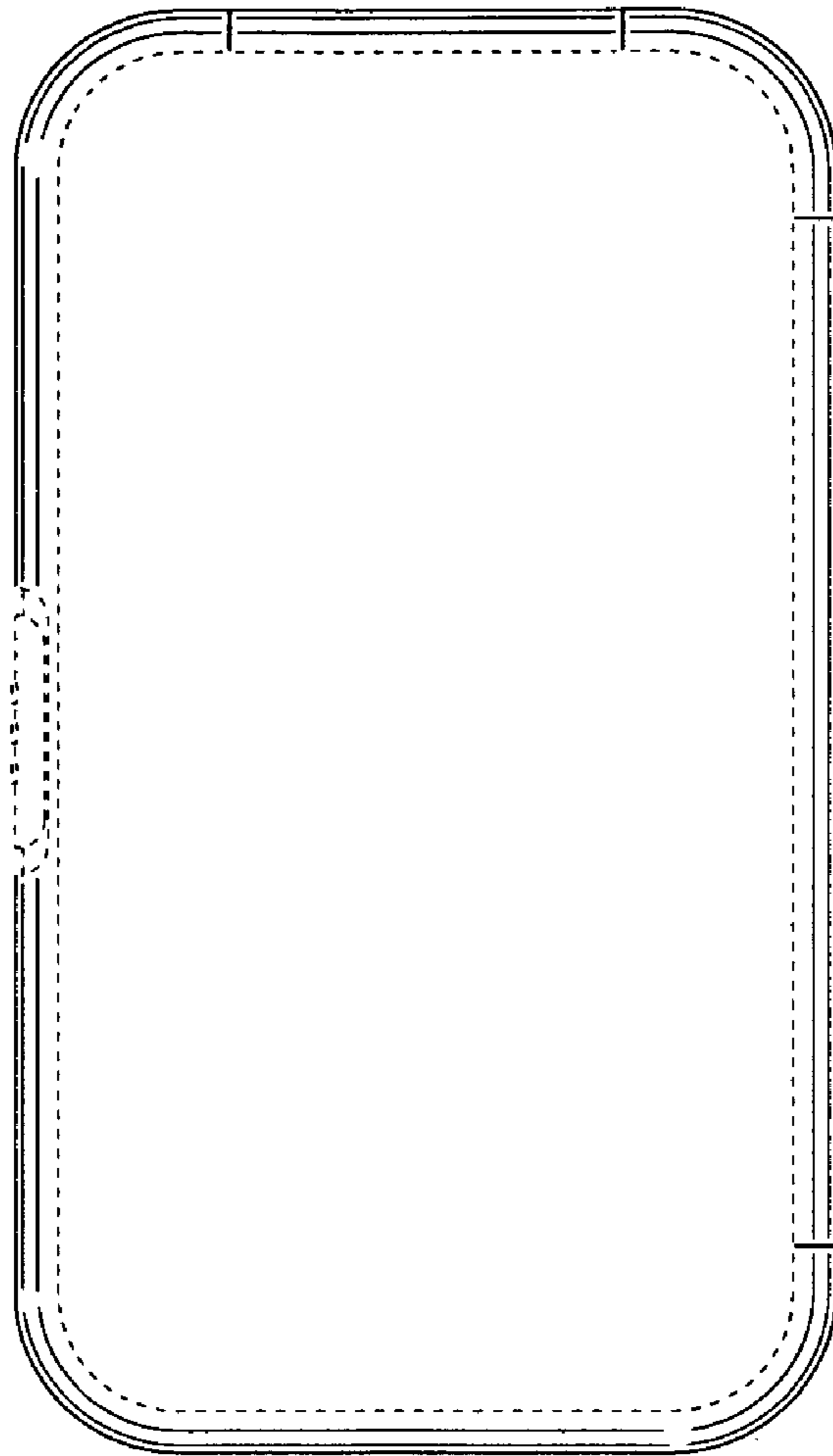


FIG. 2

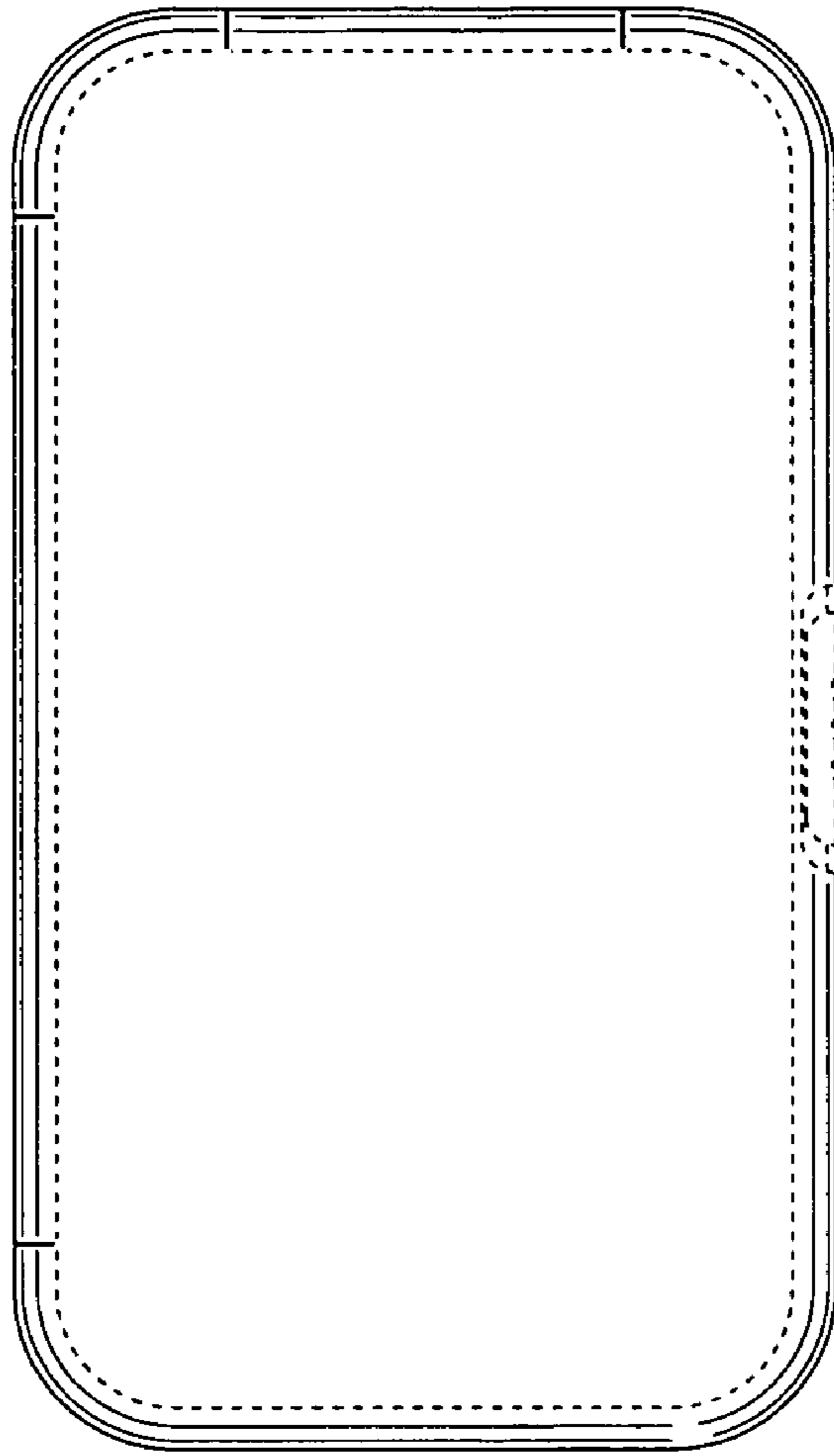


FIG. 3

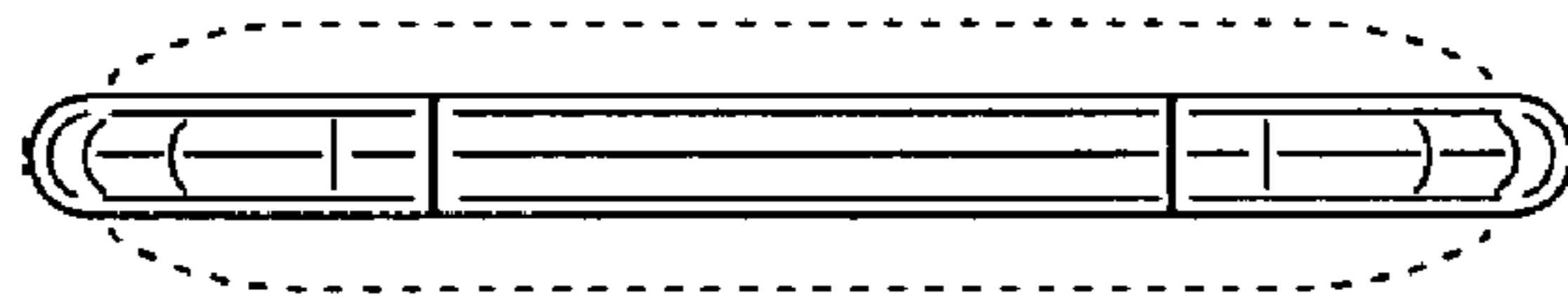


FIG. 4



FIG.5

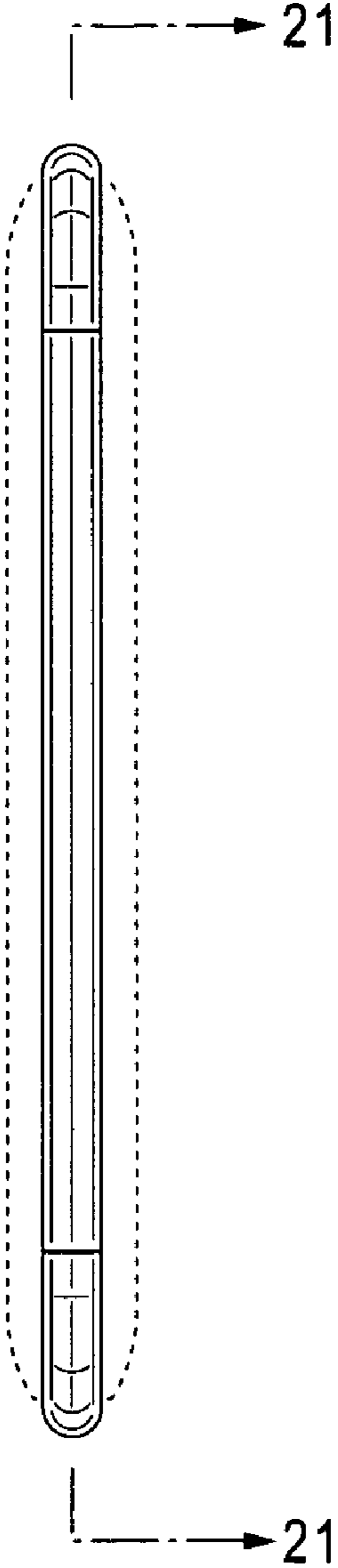


FIG.6



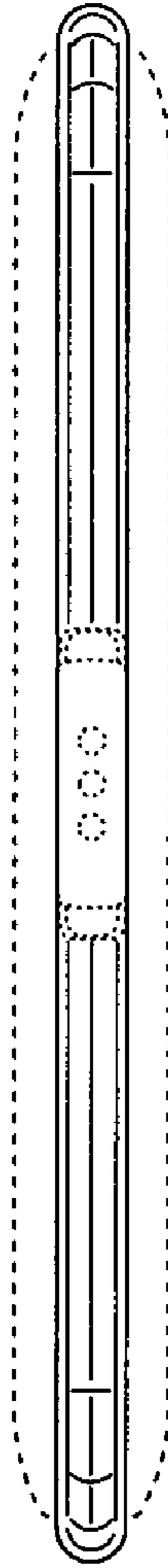


FIG. 7

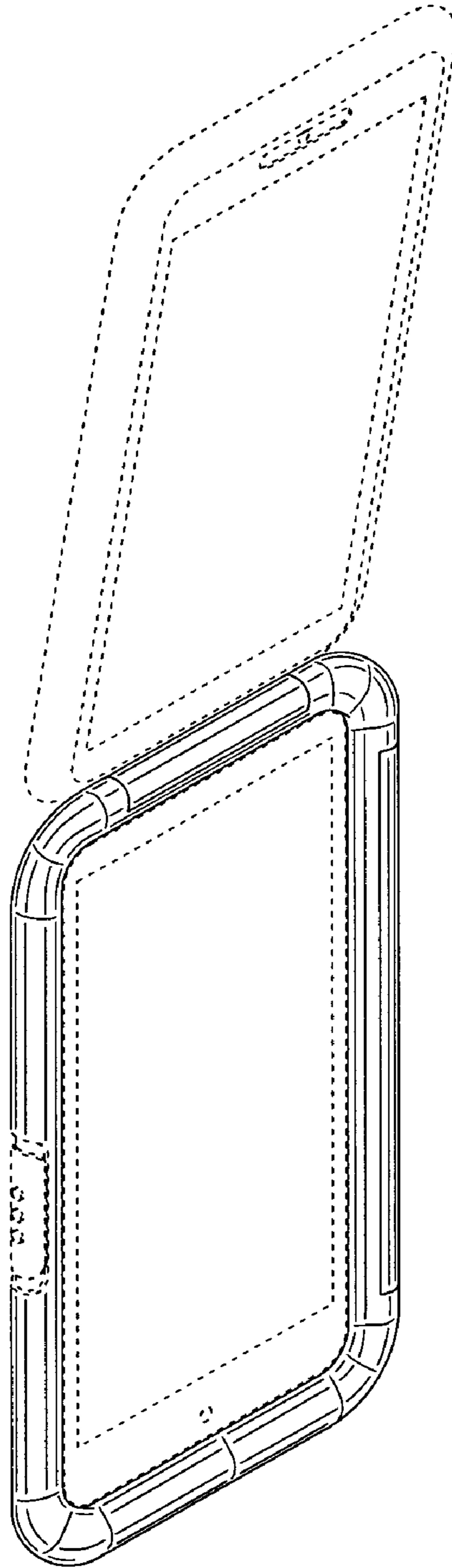


FIG. 8

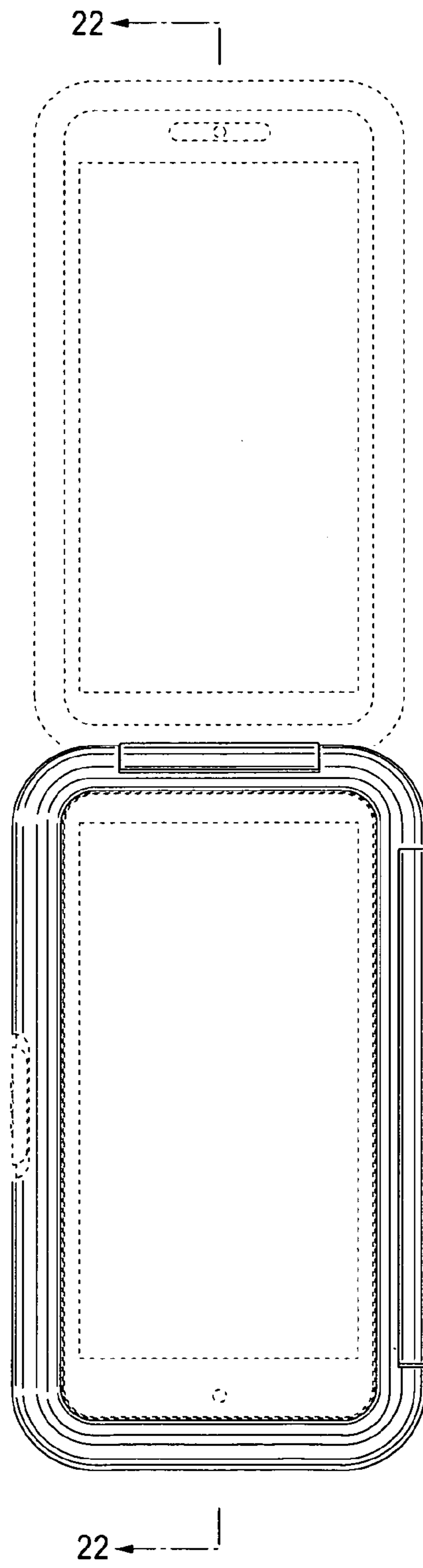


FIG. 9

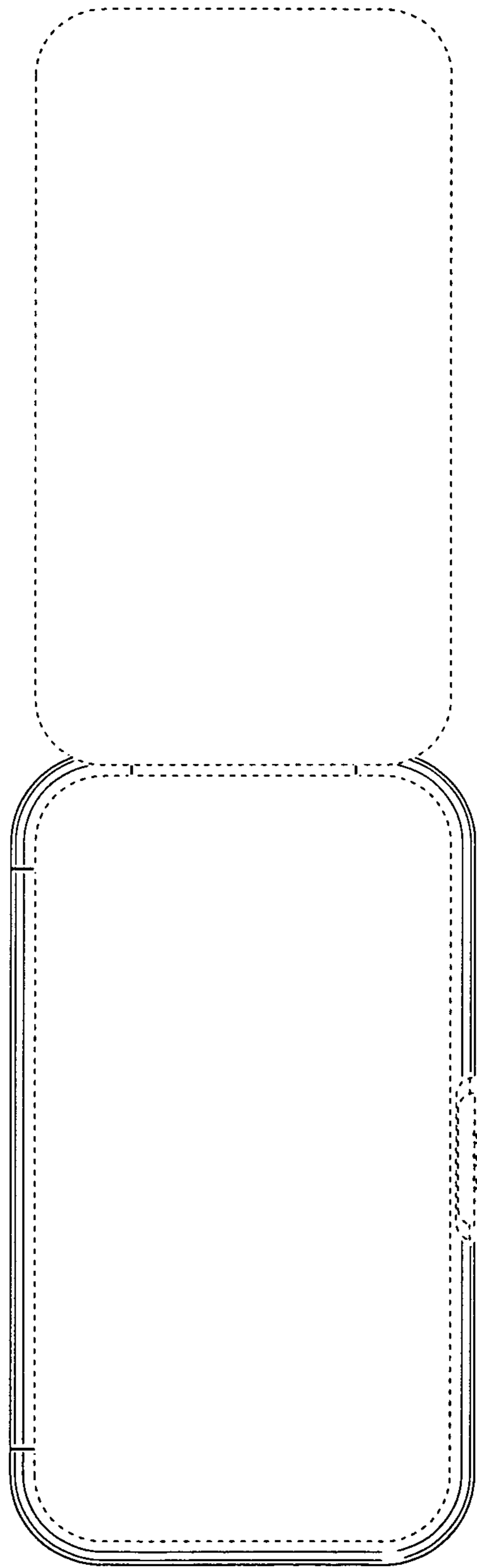


FIG. 10



FIG. 11

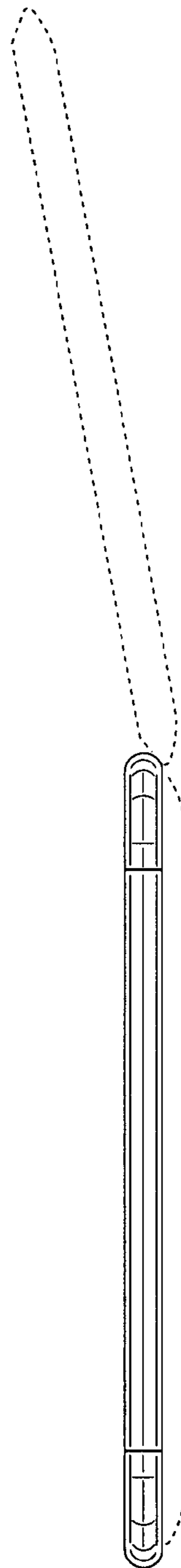


FIG.12

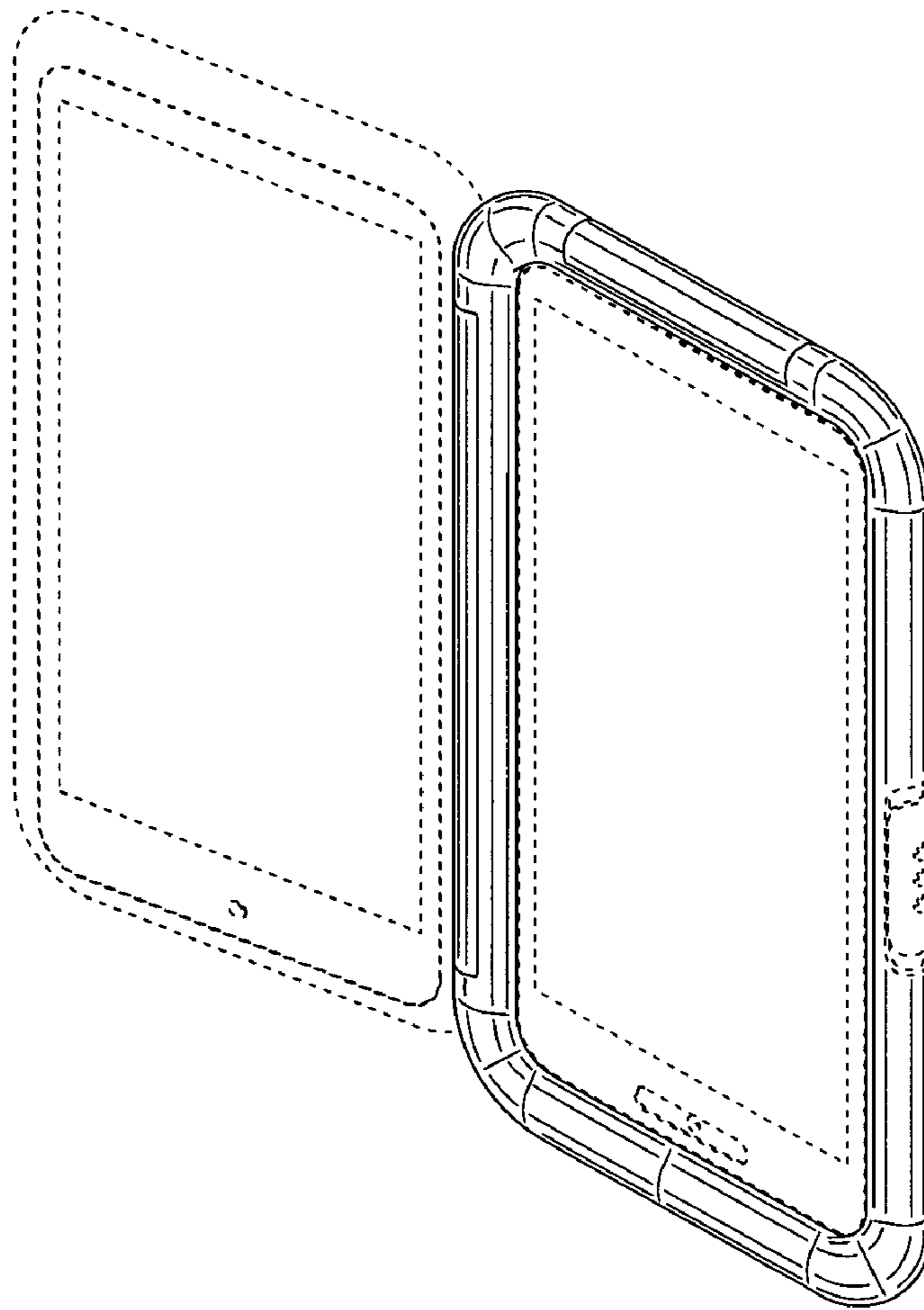


FIG. 13

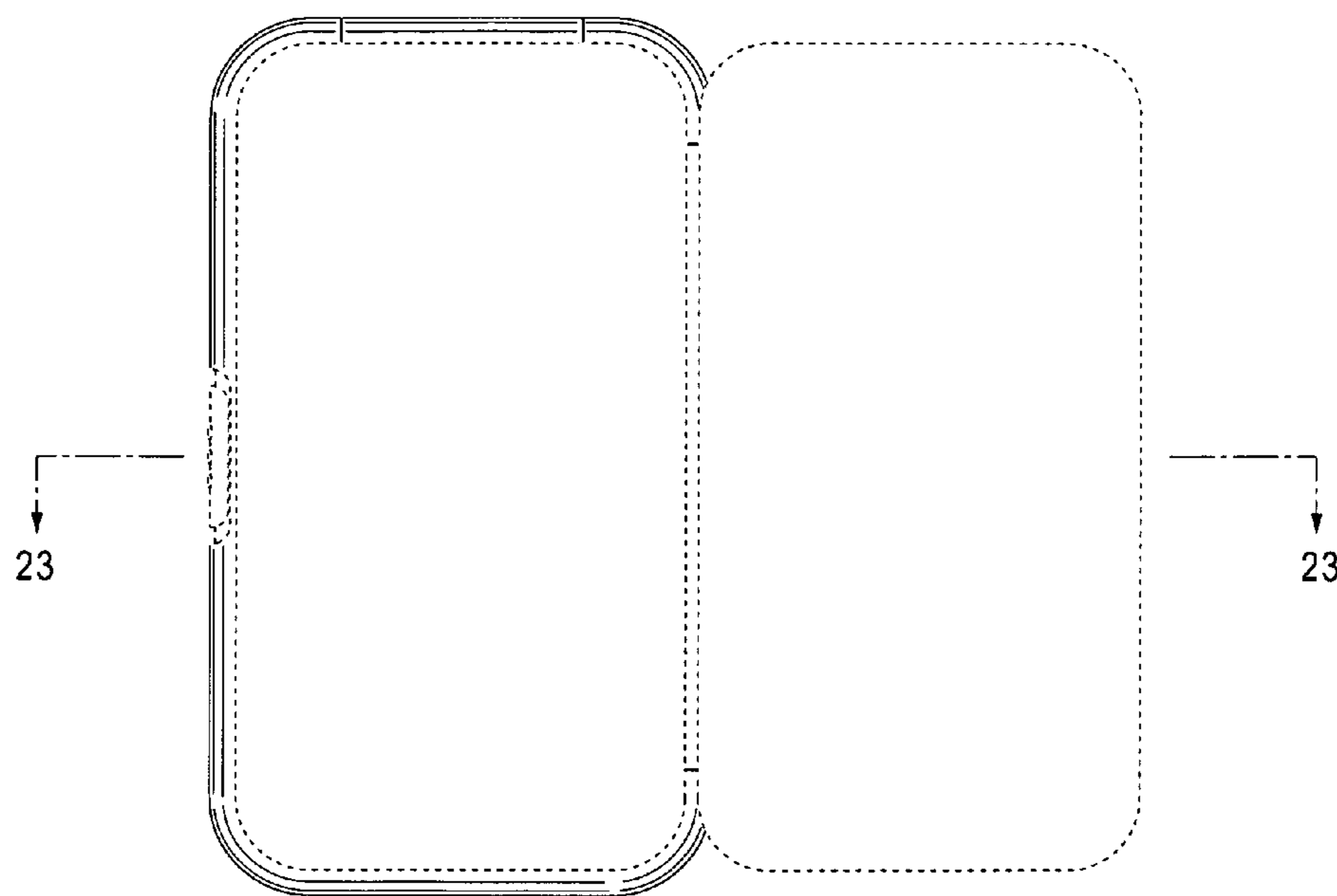


FIG.14



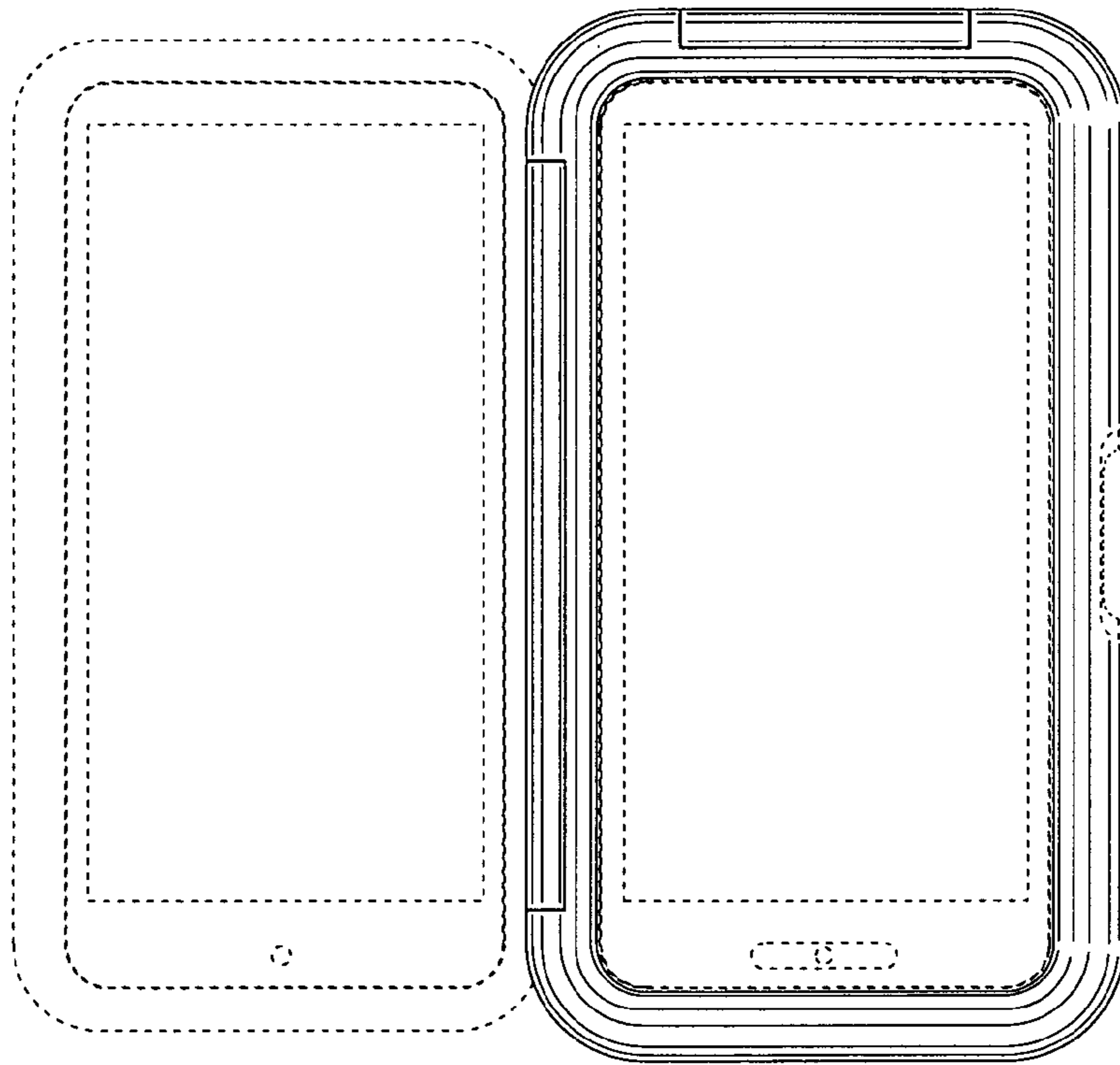


FIG. 15

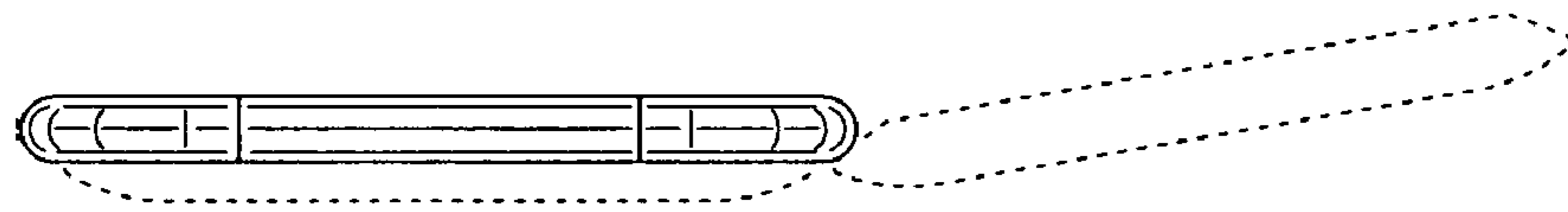


FIG. 16

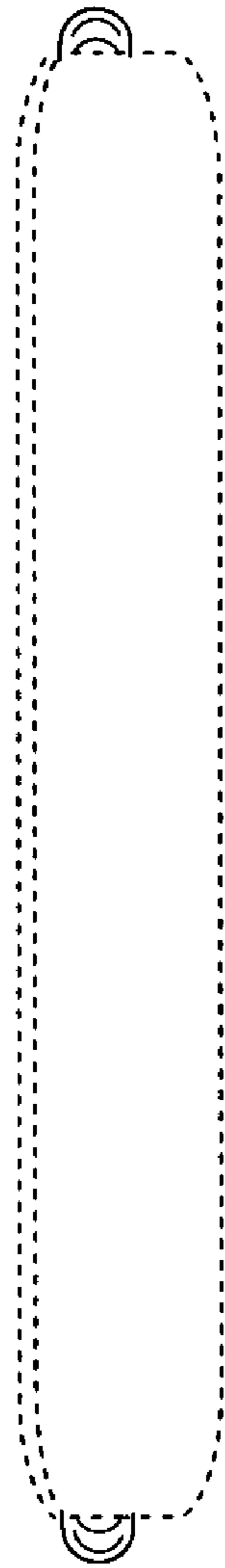


FIG. 17

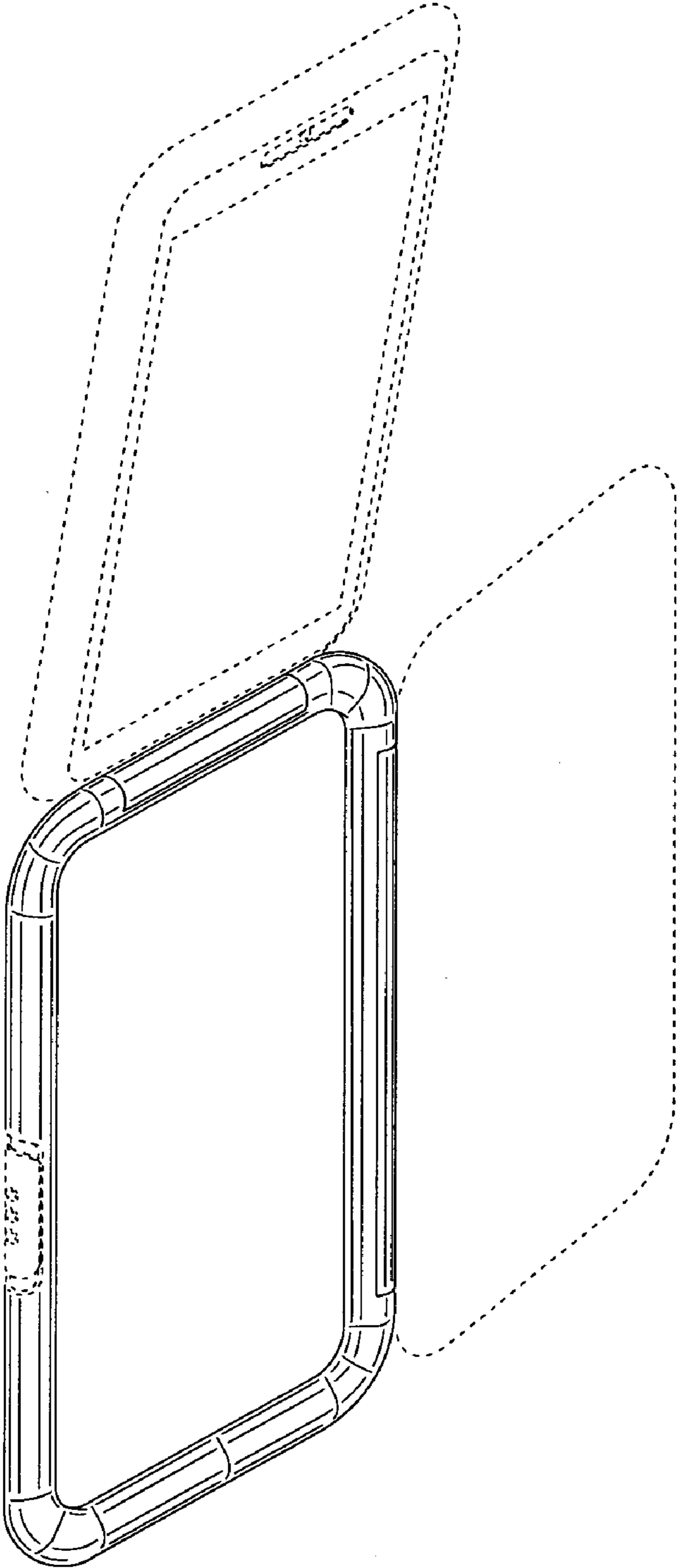


FIG. 18

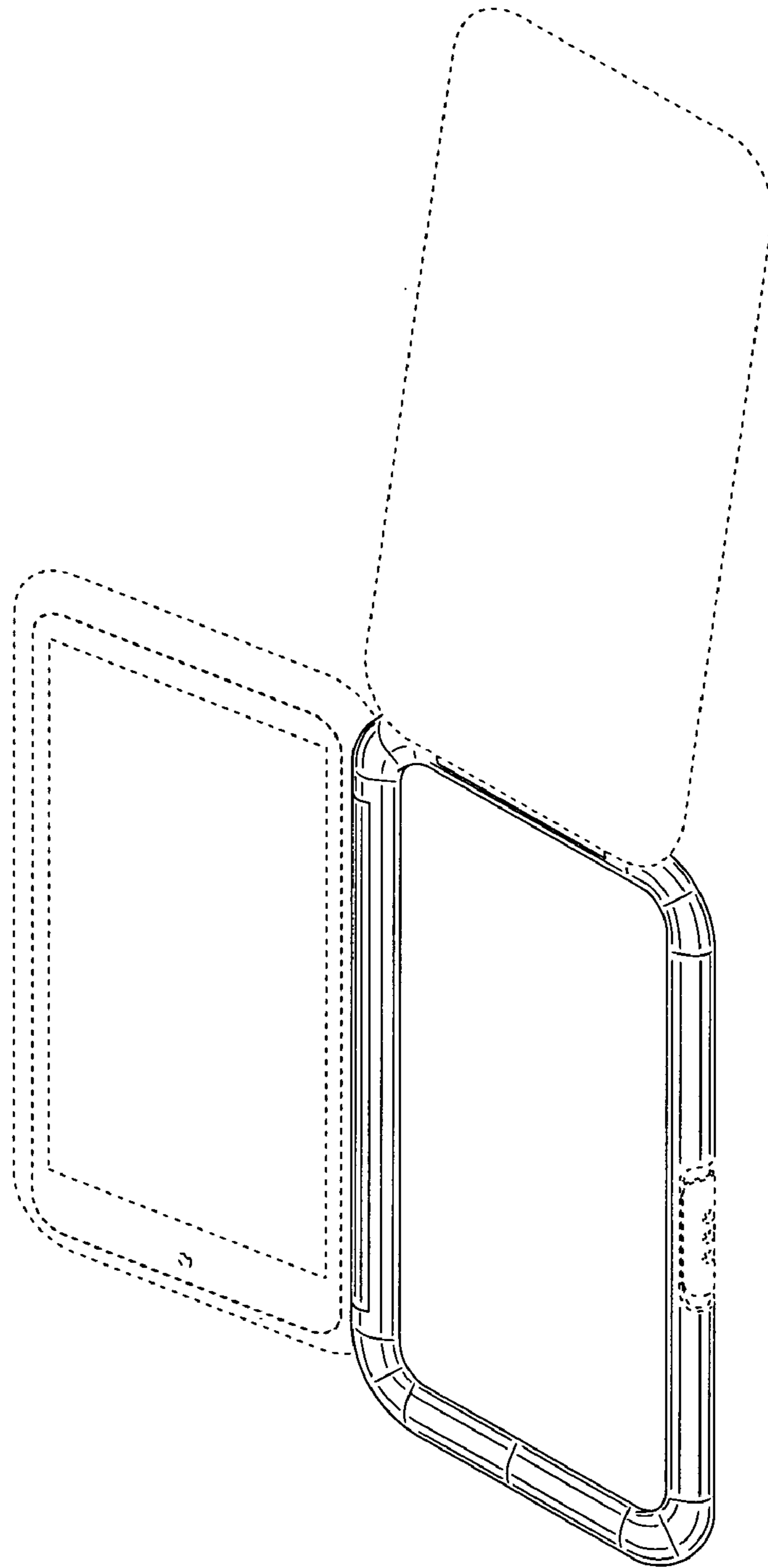


FIG. 19

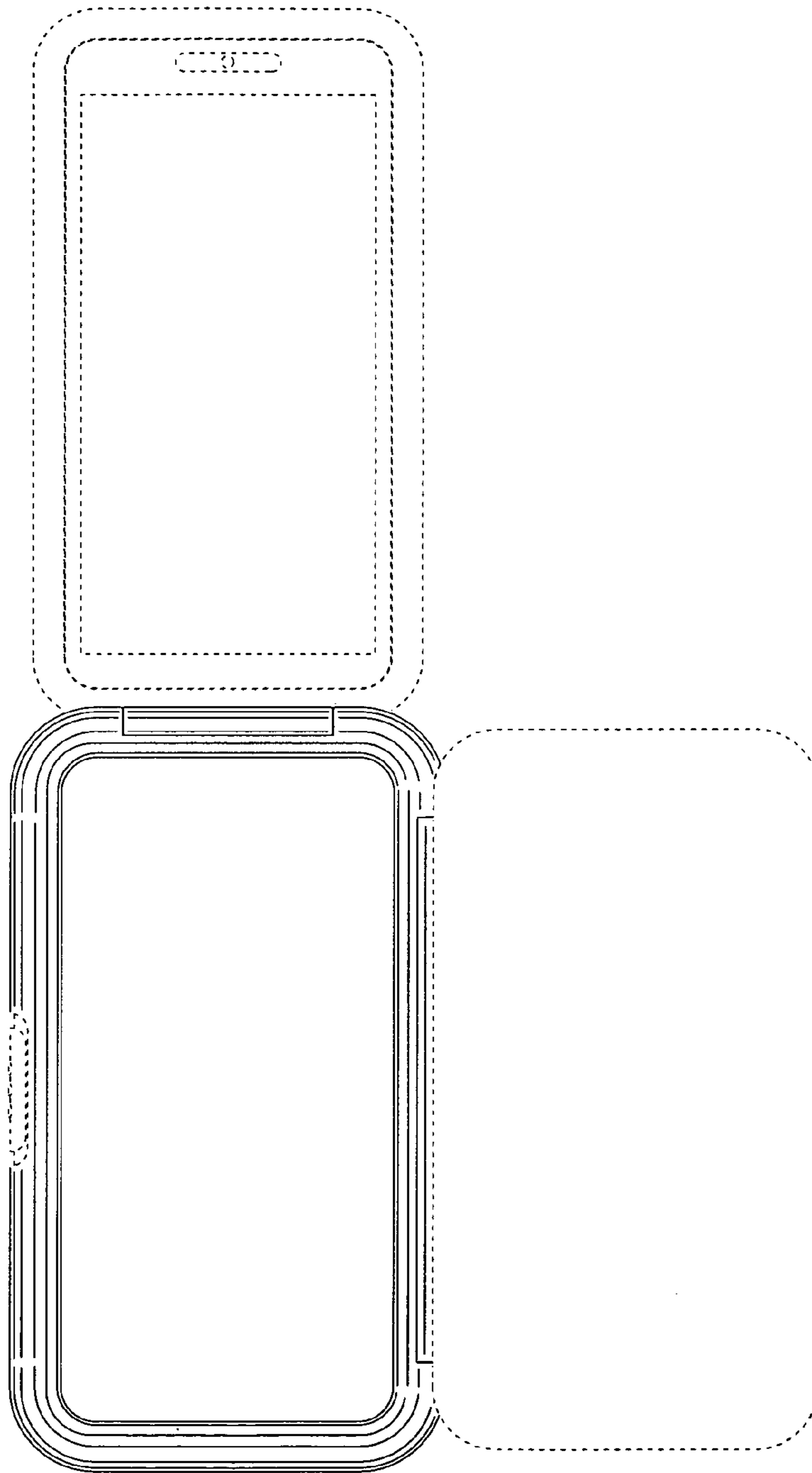


FIG. 20

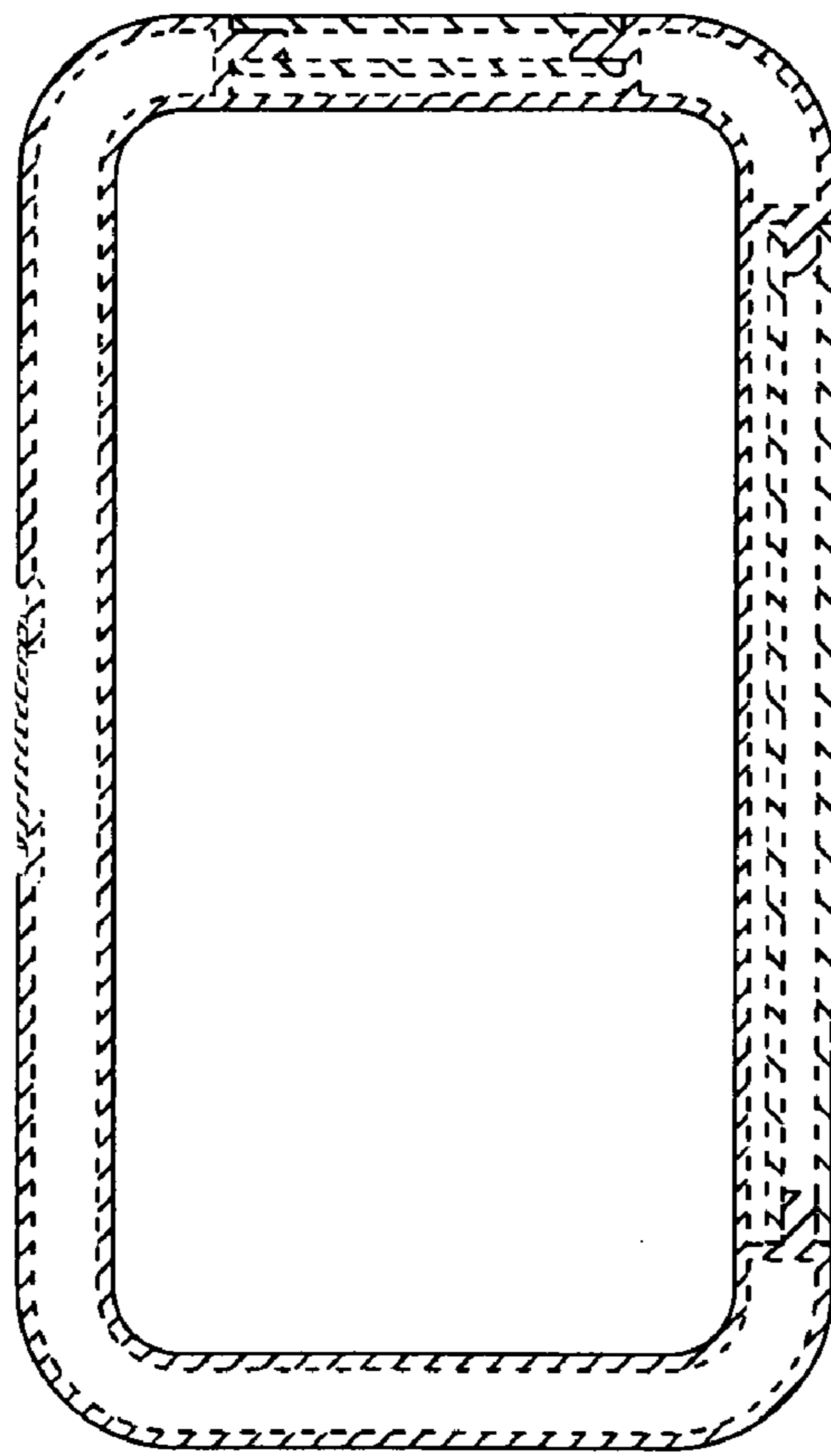


FIG.21

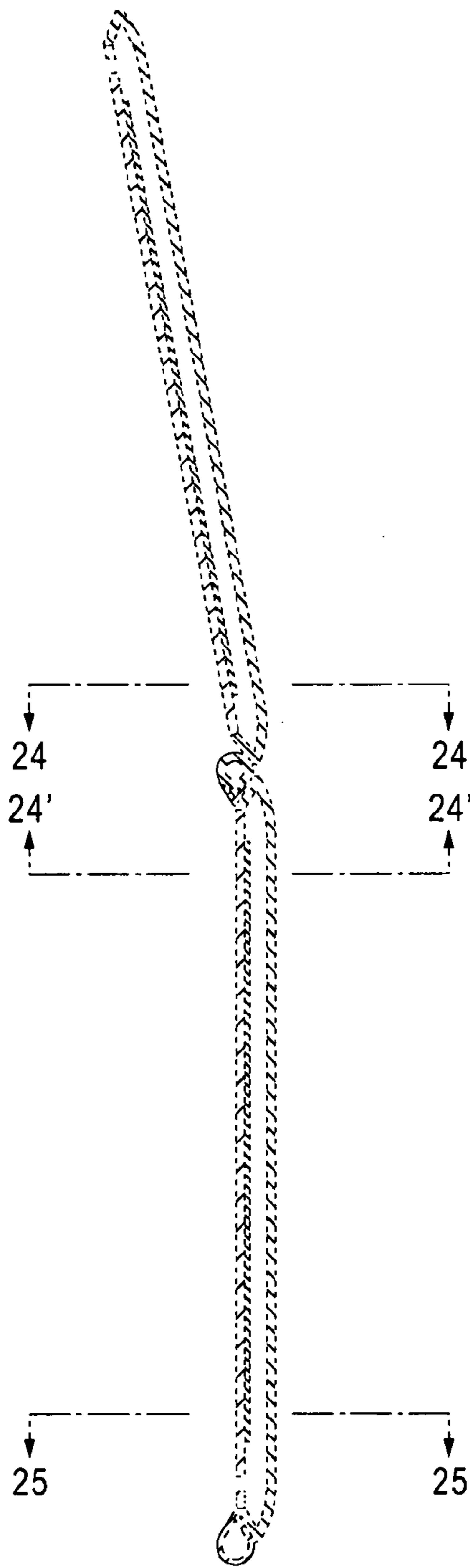


FIG.22



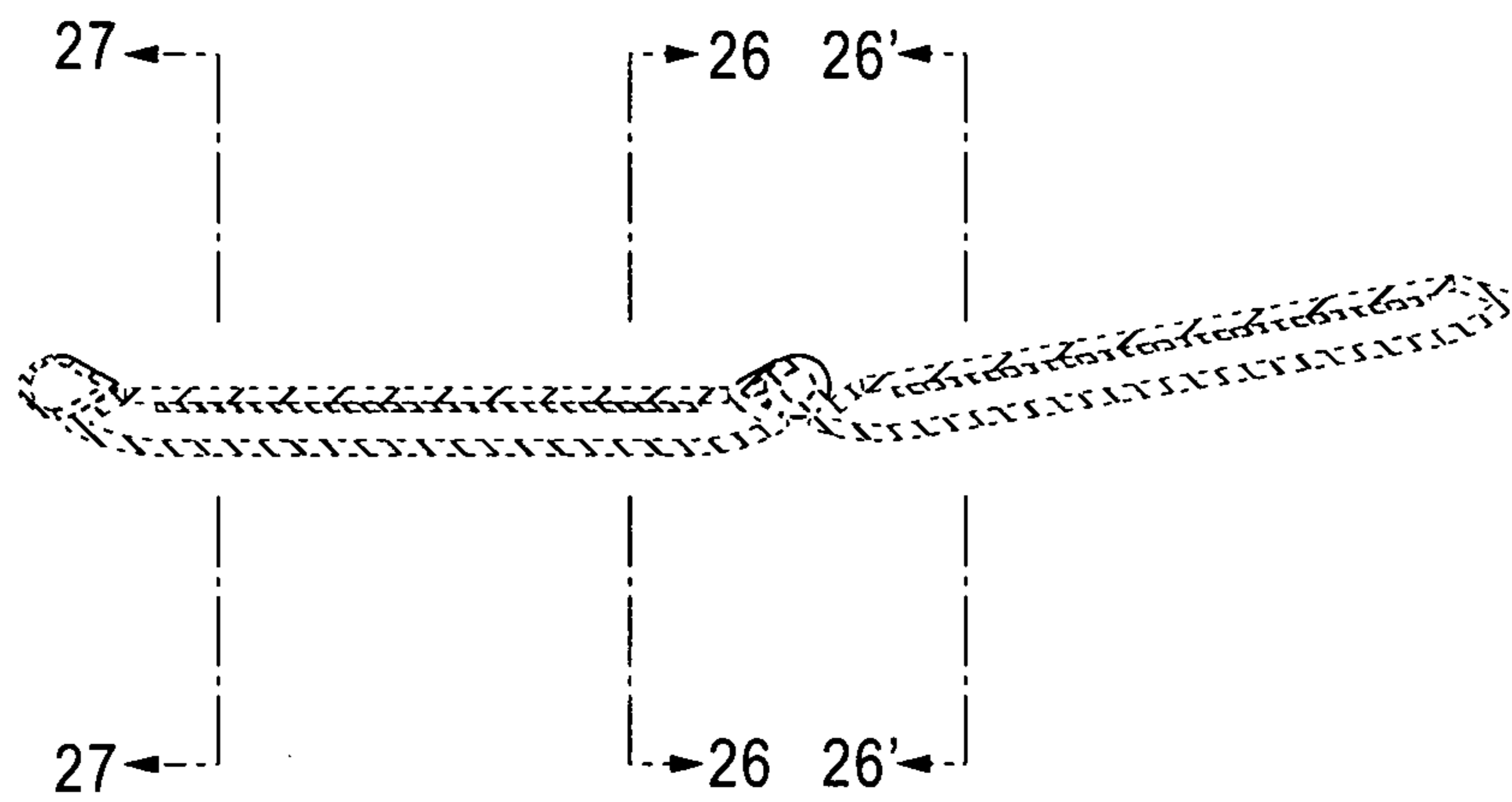


FIG.23

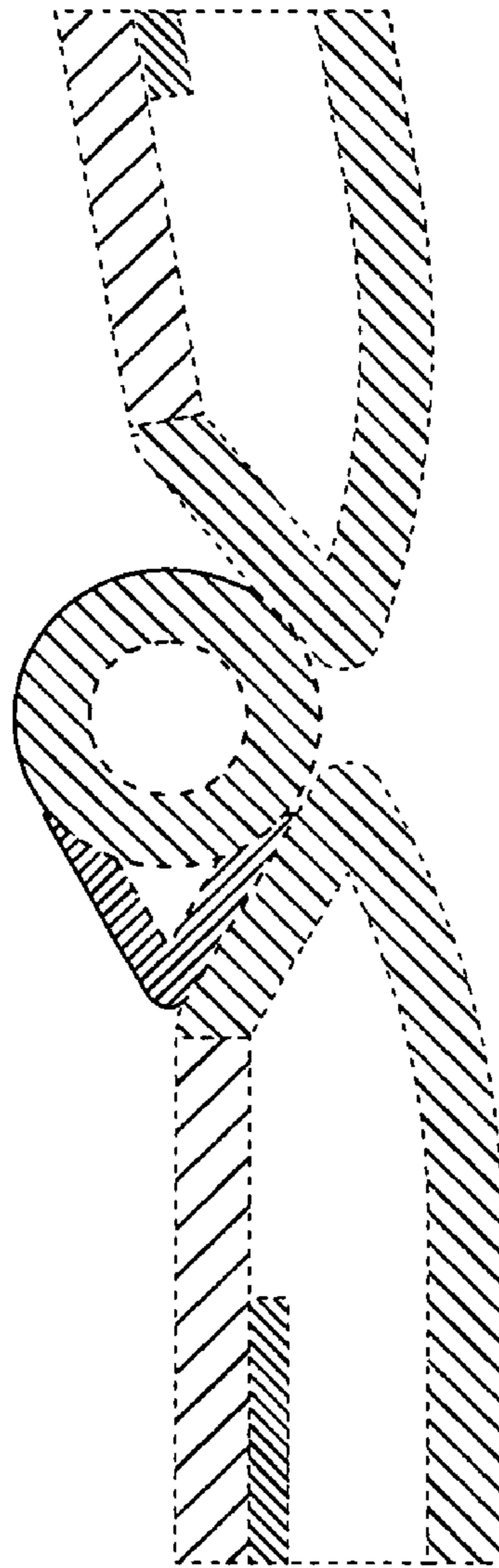


FIG.24

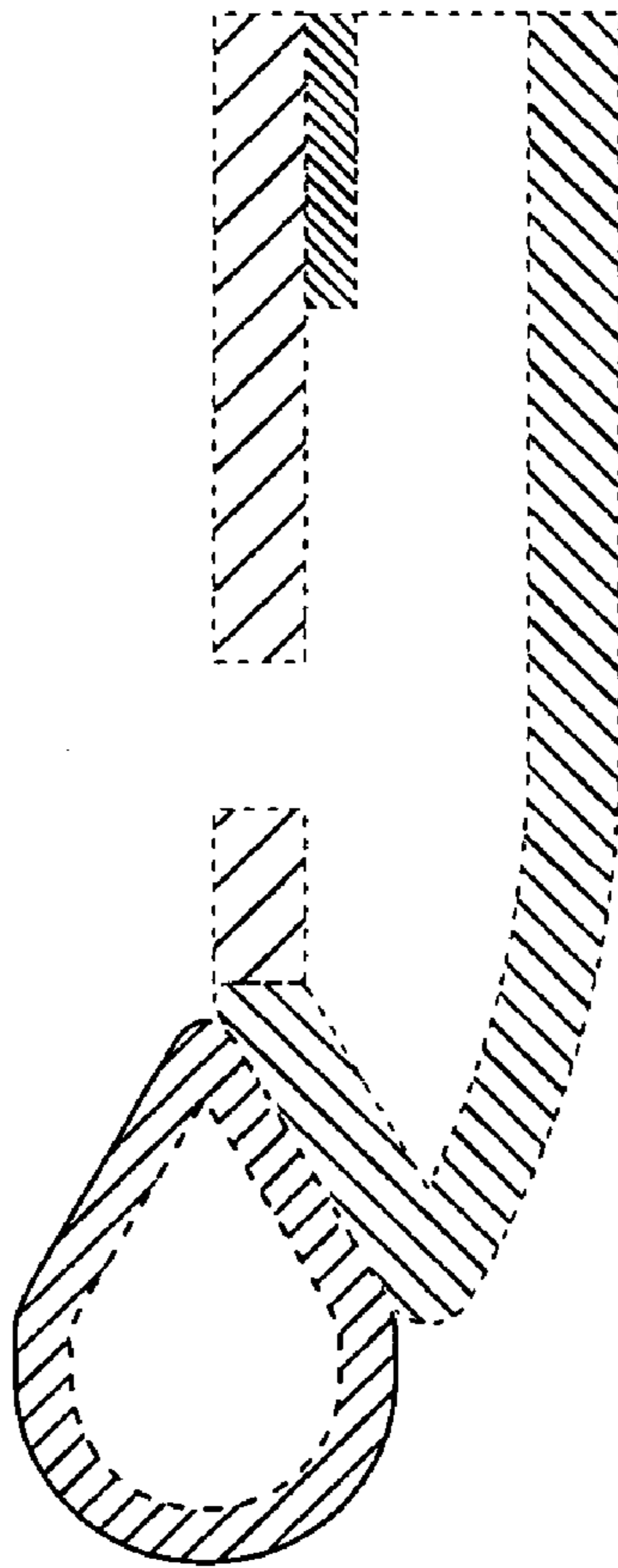


FIG.25

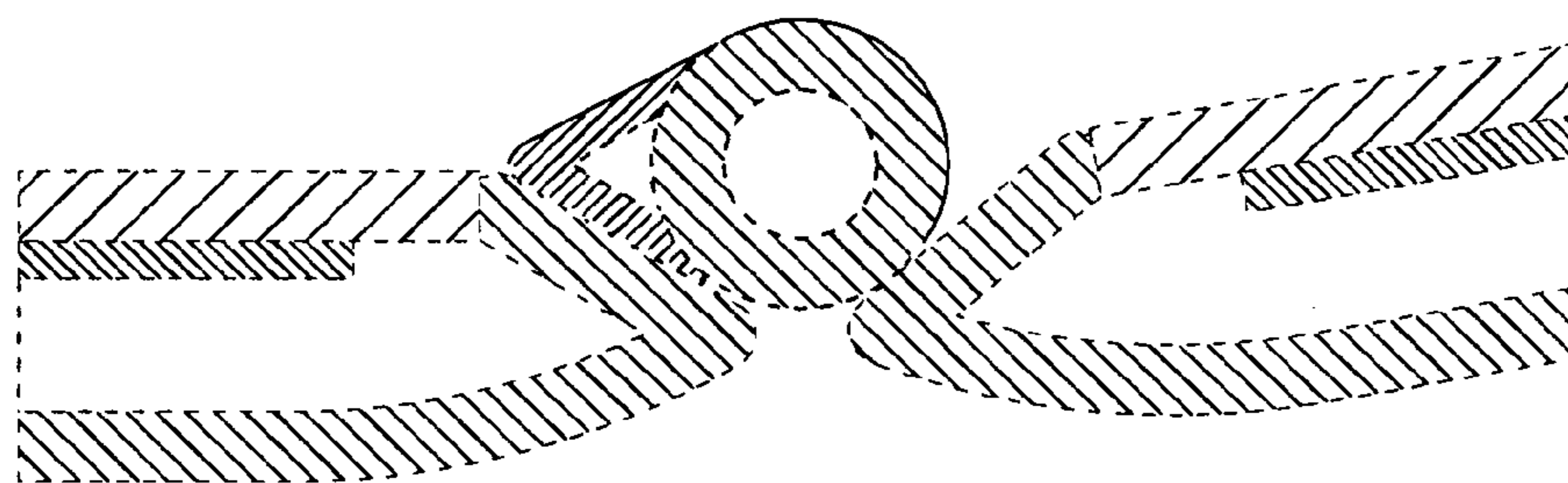


FIG.26

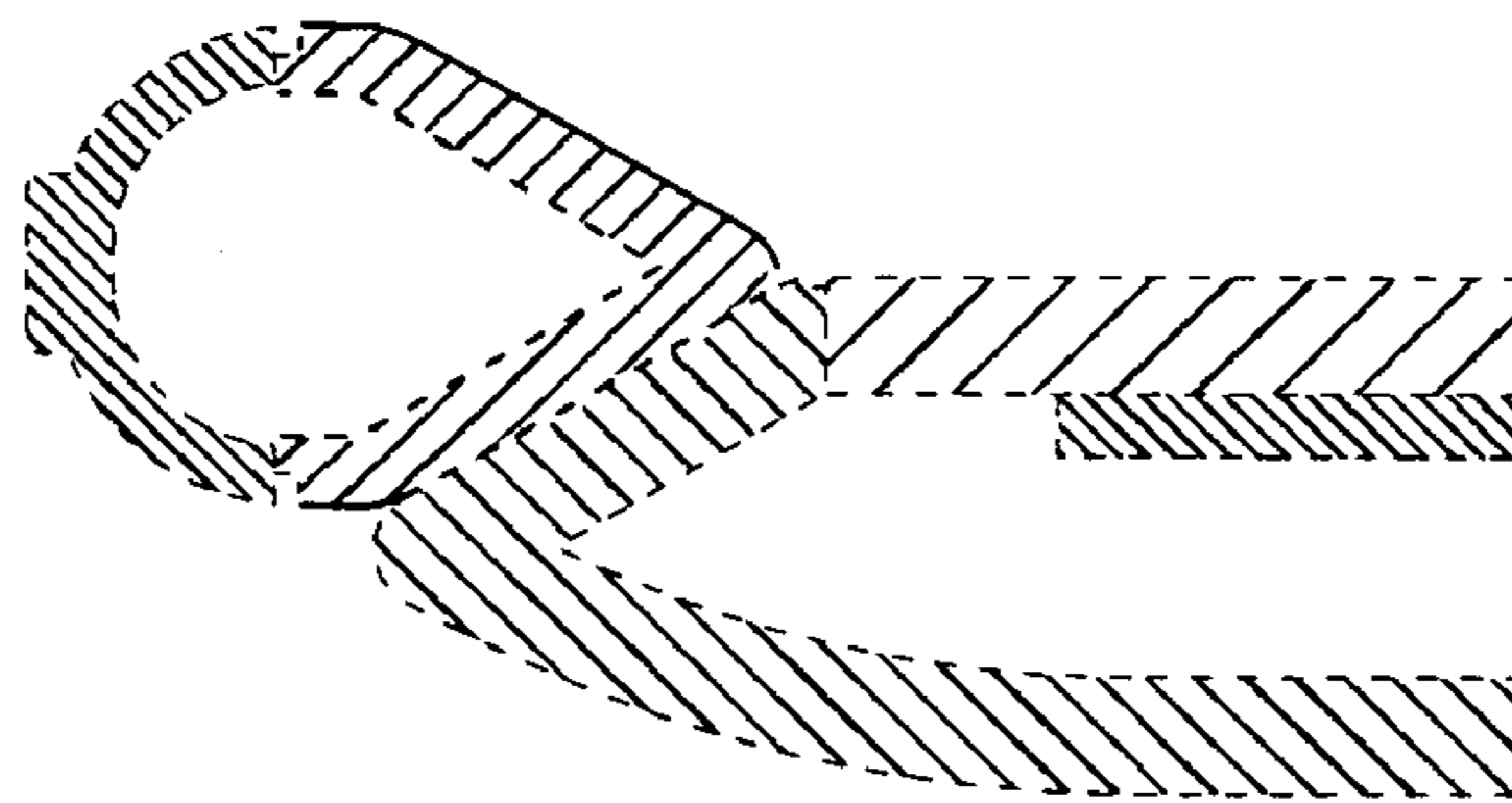


FIG.27