



US00D627767S

(12) **United States Design Patent**
Molter et al.

(10) **Patent No.:** **US D627,767 S**
(45) **Date of Patent:** **** Nov. 23, 2010**

(54) **ARTICULATING MOUNTING UNIT FOR AUDIO/VISUAL DEVICES OR THE LIKE**

D558,560 S 1/2008 Ciungan
D558,561 S 1/2008 Ciungan

(Continued)

(75) Inventors: **Daniel E. Molter**, Elmhurst, IL (US);
Donald L. Anderson, Oak Park, IL (US); **Nicanor C. Rancho**,
Willowbrook, IL (US)

OTHER PUBLICATIONS

U.S. Appl. No. 29/358,115, filed Mar. 23, 2010, Molter et al.

(Continued)

(73) Assignee: **Peerless Industries, Inc.**, Aurora, IL (US)

Primary Examiner—Raphael Barkai

Assistant Examiner—Randall H Gholson

(**) Term: **14 Years**

(74) *Attorney, Agent, or Firm*—Foley & Lardner LLP

(21) Appl. No.: **29/358,138**

(57) **CLAIM**

(22) Filed: **Mar. 23, 2010**

We claim the ornamental design for a articulating mounting unit for audio/visual devices or the like, as shown and described.

(51) **LOC (9) Cl.** **14-03**

(52) **U.S. Cl.** **D14/239**

(58) **Field of Classification Search** D14/125–134,
D14/239, 371, 136, 374–377; D8/363, 373,
D8/349, 394; 248/465, 917–924, 123.11;
348/825, 827, 836, 837, 838, 180, 184, 325,
348/739; 600/443; D6/477–479, 407, 474,
D6/460, 461, 468; 312/7.2; 341/12; 345/87,
345/104, 133, 156, 168, 169, 173; 720/605,
720/669, 600, 655; 369/99, 197; 455/344–347;
349/1, 2, 11, 62; 108/59, 91, 92, 96; 211/40,
211/41.12, 42, 49.1, 50, 85.2, 90.04, 187,
211/190, 119.003, 134.153, 87.01, 71.01

See application file for complete search history.

DESCRIPTION

FIG. 1 is a top front perspective view of an articulating mounting unit for audio/visual devices or the like showing our new design;

FIG. 2 is a bottom front perspective view thereof;

FIG. 3 is a top rear perspective view thereof;

FIG. 4 is a front elevational view thereof;

FIG. 5 is a right side elevational view thereof;

FIG. 6 is a left side elevational view thereof;

FIG. 7 is a top plan view thereof;

FIG. 8 is a bottom plan view thereof;

FIG. 9 is a rear elevational view thereof; and,

FIG. 10 is a sectional view thereof taken along line 10—10 in FIG. 4, the sectional view being shown to depict contours on the exterior surface of the claimed design that may not be apparent from other views, the sectional view in the substantially opposite direction along the mirror location of line 10—10 being the same as the sectional view in FIG. 10.

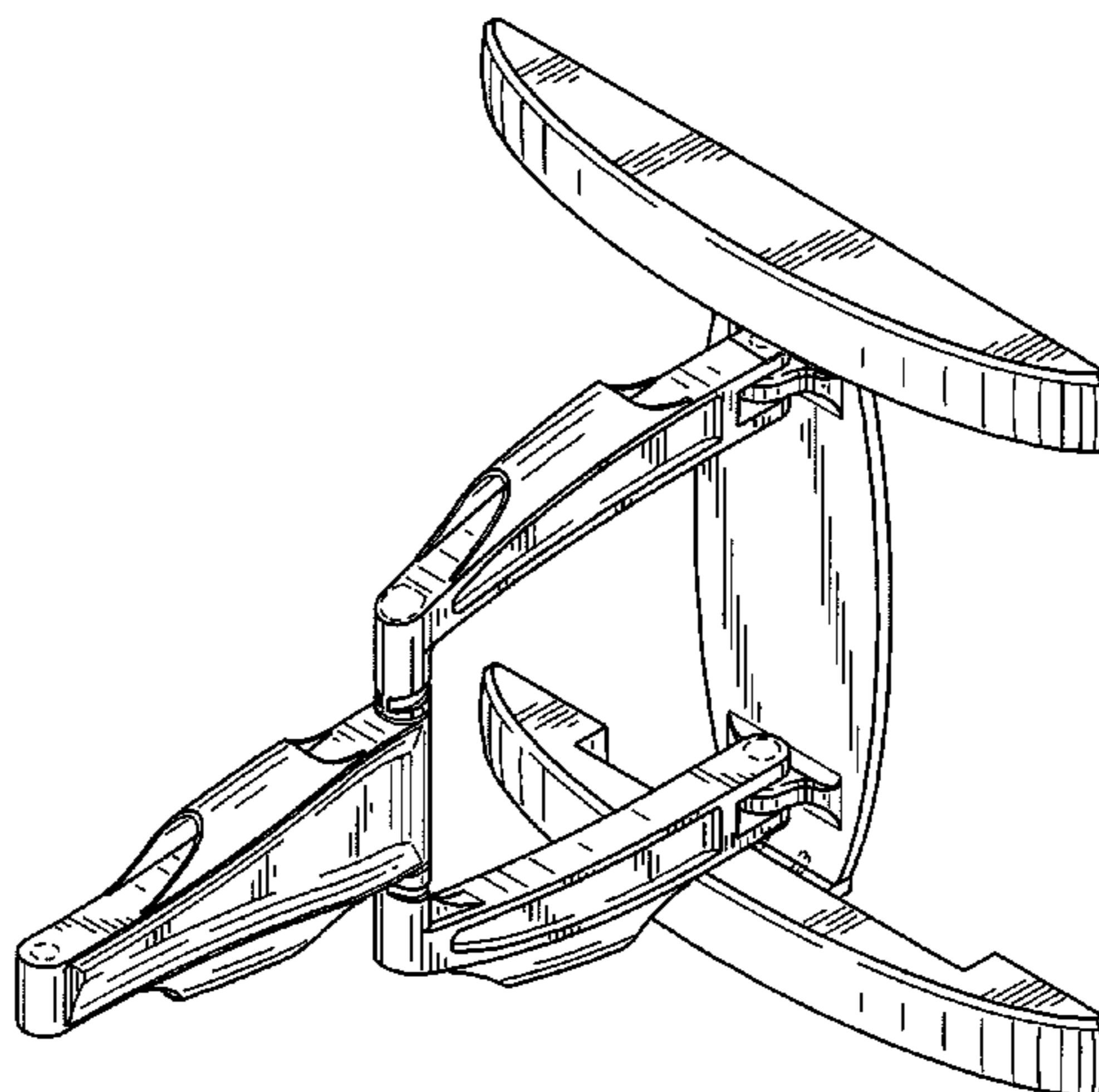
The broken lines shown are for illustrative purposes only and form no part of the claimed design.

(56) **References Cited**

U.S. PATENT DOCUMENTS

D488,708 S	4/2004	Lam et al.	
D489,599 S	5/2004	Lam	
D496,367 S	9/2004	Pfister	
D505,858 S	6/2005	O'Keene	
6,905,101 B1	6/2005	Dittmer	
D507,477 S	7/2005	Pfister	
D539,127 S *	3/2007	Ly Hau et al.	D8/373
7,243,892 B2	7/2007	Pfister	
D549,558 S	8/2007	Dittmer et al.	
D556,205 S	11/2007	Wohlford et al.	

1 Claim, 10 Drawing Sheets



US D627,767 S

Page 2

U.S. PATENT DOCUMENTS

D558,562 S 1/2008 Ciungan et al.
D558,563 S 1/2008 Ciungan
D558,564 S 1/2008 Ciungan
D559,087 S 1/2008 Ciungan
D559,088 S 1/2008 Ciungan
D562,113 S 2/2008 Ciungan et al.
7,380,760 B2 6/2008 Dittmer
7,387,286 B2 6/2008 Dittmer et al.
7,438,269 B2 10/2008 Pfister et al.
D580,742 S * 11/2008 Short D8/363
D580,743 S * 11/2008 Short D8/363
7,448,584 B2 * 11/2008 Chen et al. 248/278.1
D581,916 S * 12/2008 Sculler et al. D14/239
D584,734 S * 1/2009 Chu D14/452
7,487,943 B1 2/2009 Gillespie
D587,716 S * 3/2009 Hau et al. D14/452
7,513,469 B1 4/2009 Ciungan

D595,723 S 7/2009 Bures et al.
D605,185 S 12/2009 Russell et al.
7,641,163 B2 1/2010 O'Keene
D611,479 S * 3/2010 Hau et al. D14/452
2008/0151483 A1 6/2008 Holbrook et al.

OTHER PUBLICATIONS

U.S. Appl. No. 29/358,112, filed Mar. 23, 2010, Molter et al.
U.S. Appl. No. 29/358,120, filed Mar. 23, 2010, Molter et al.
U.S. Appl. No. 29/357,061, filed Mar. 5, 2010, Molter et al.
U.S. Appl. No. 29/357,037, filed Mar. 5, 2010, Molter et al.
U.S. Appl. No. 29/357,041, filed Mar. 5, 2010, Molter et al.
U.S. Appl. No. 29/358,151, filed Mar. 23, 2010, Molter et al.
U.S. Appl. No. 29/358,154, filed Mar. 23, 2010, Molter et al.
U.S. Appl. No. 29/358,141, filed Mar. 23, 2010, Molter et al.
U.S. Appl. No. 29/358,110, filed Mar. 23, 2010, Molter et al.
U.S. Appl. No. 29/358,109, filed Mar. 23, 2010, Molter et al.

* cited by examiner

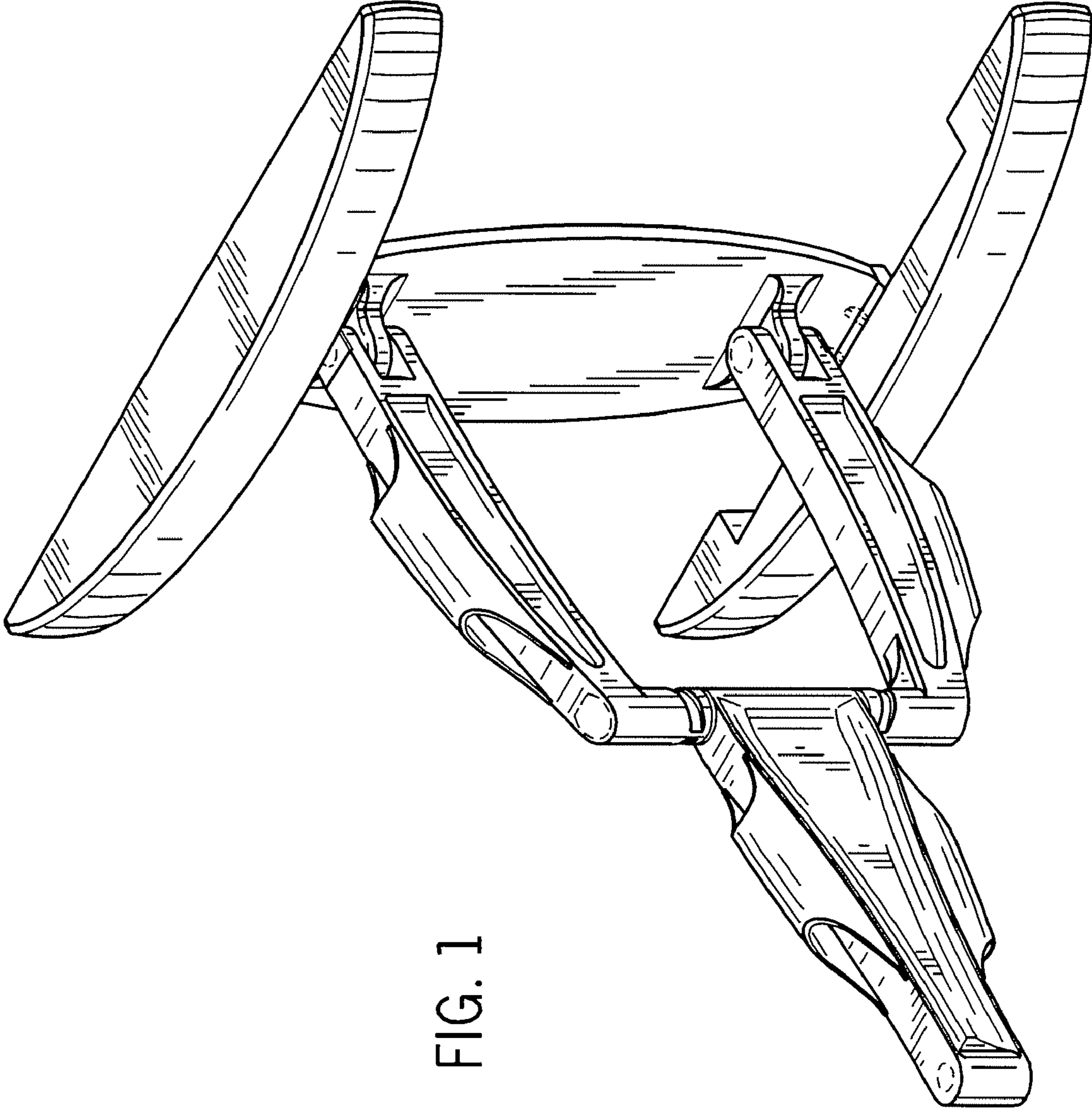


FIG. 1

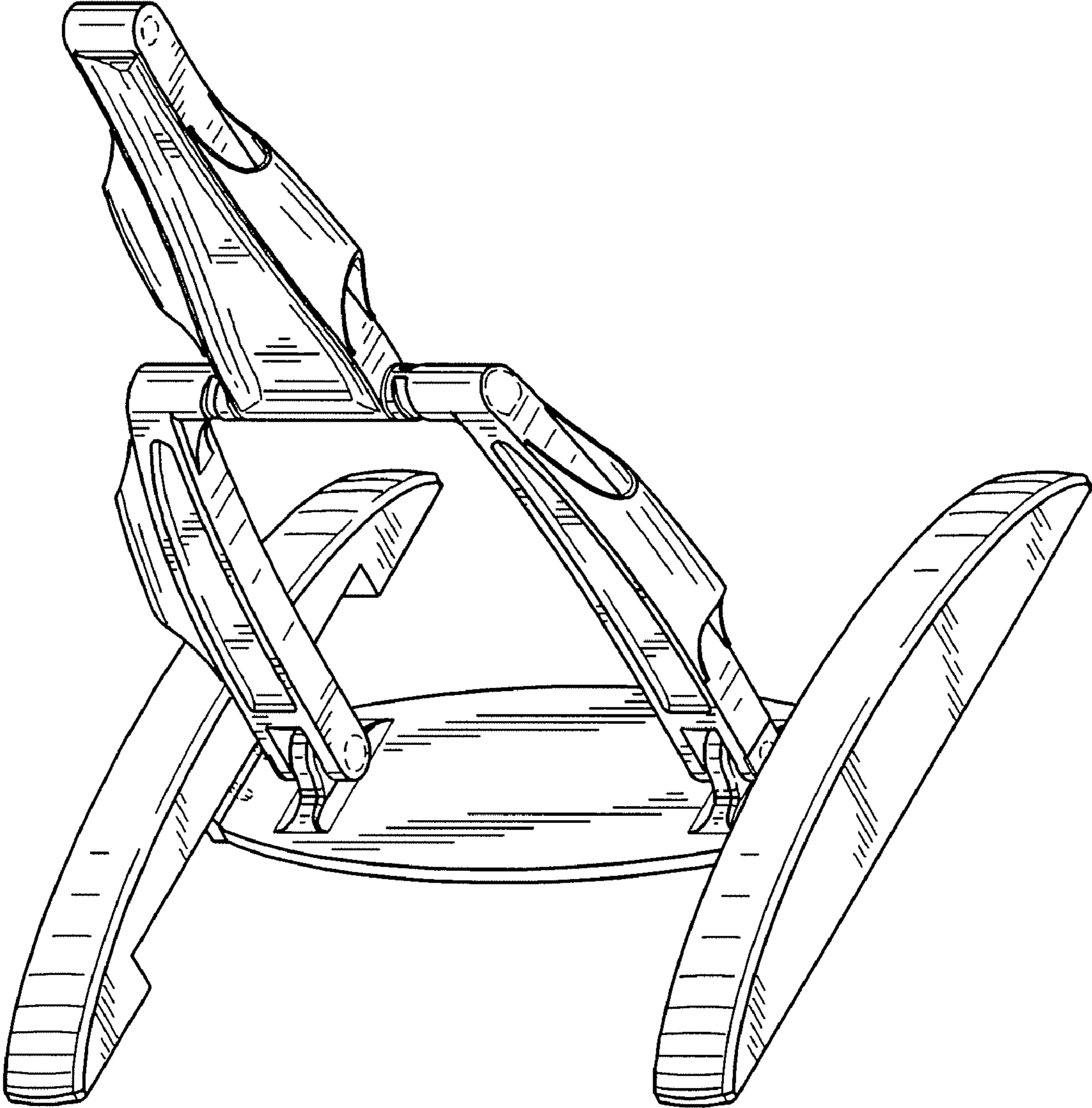


FIG. 2

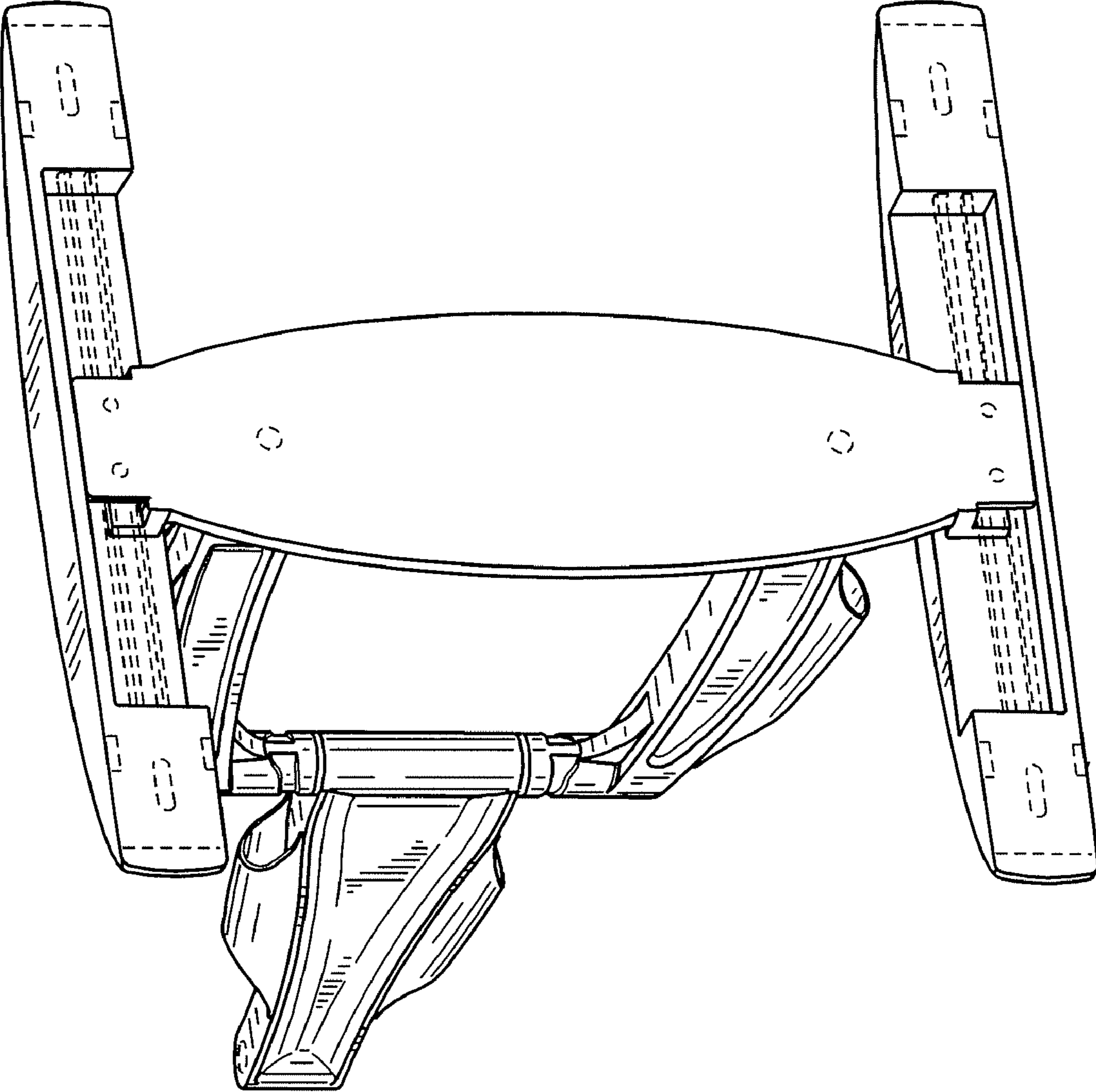


FIG. 3

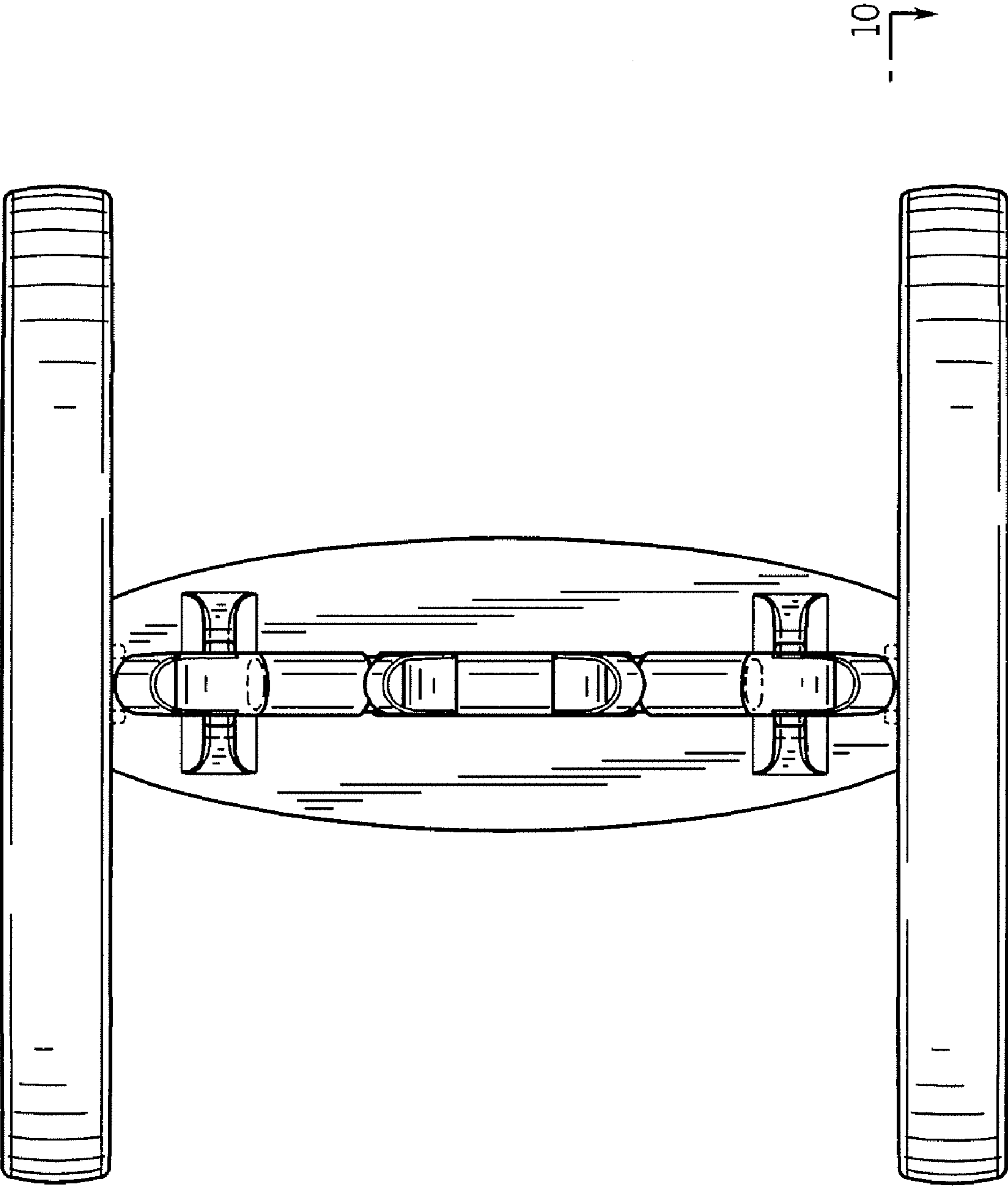


FIG. 4

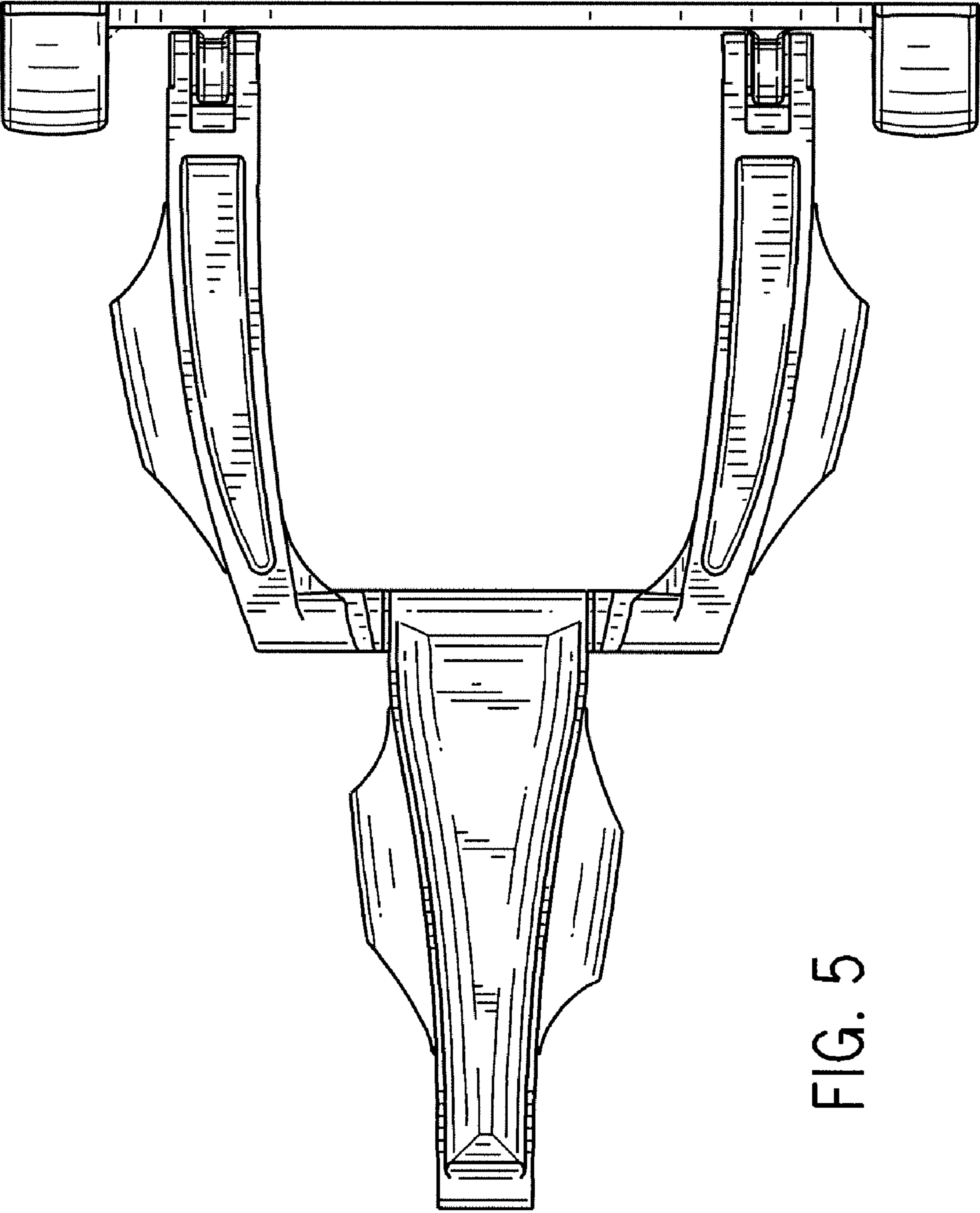


FIG. 5

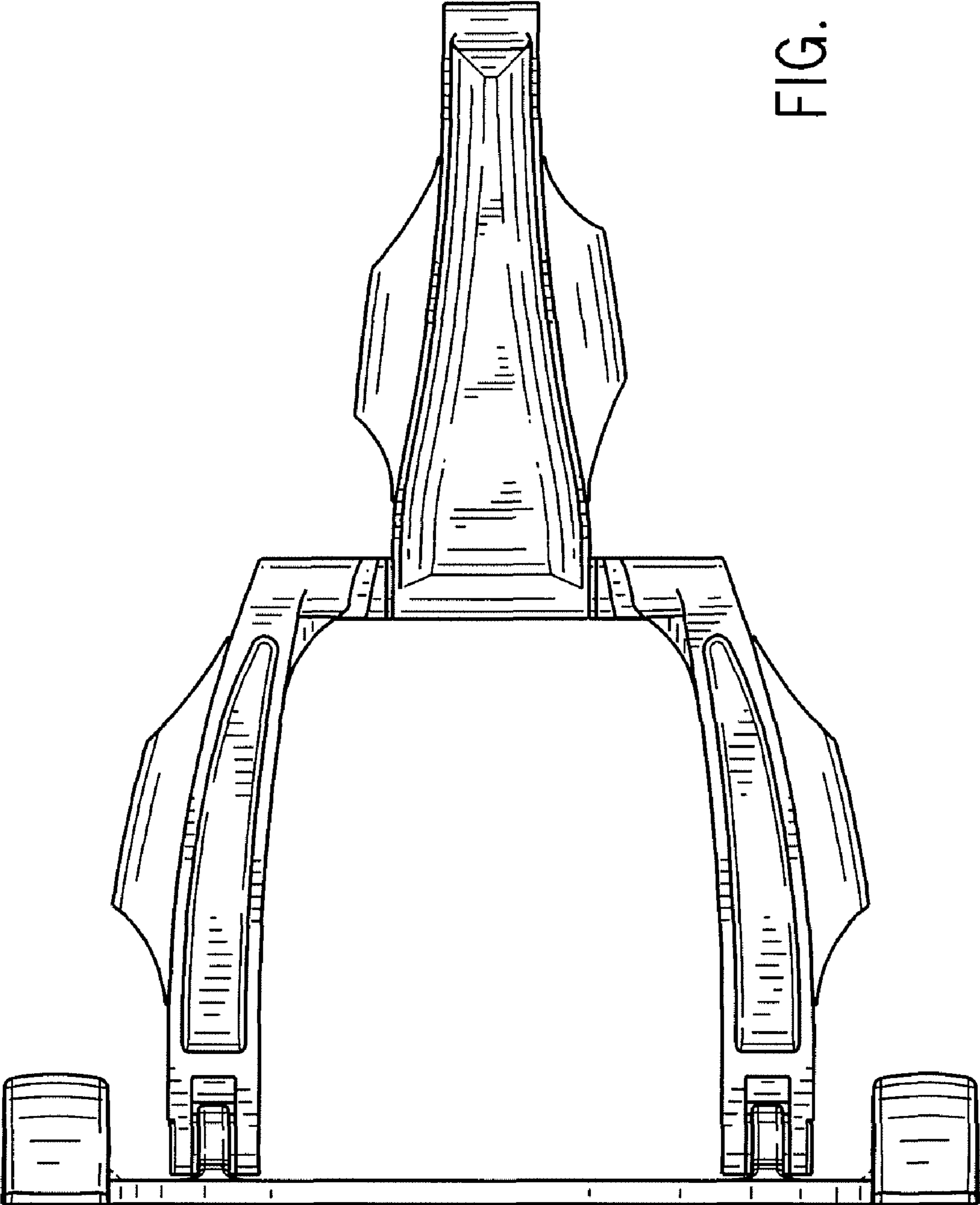


FIG. 6

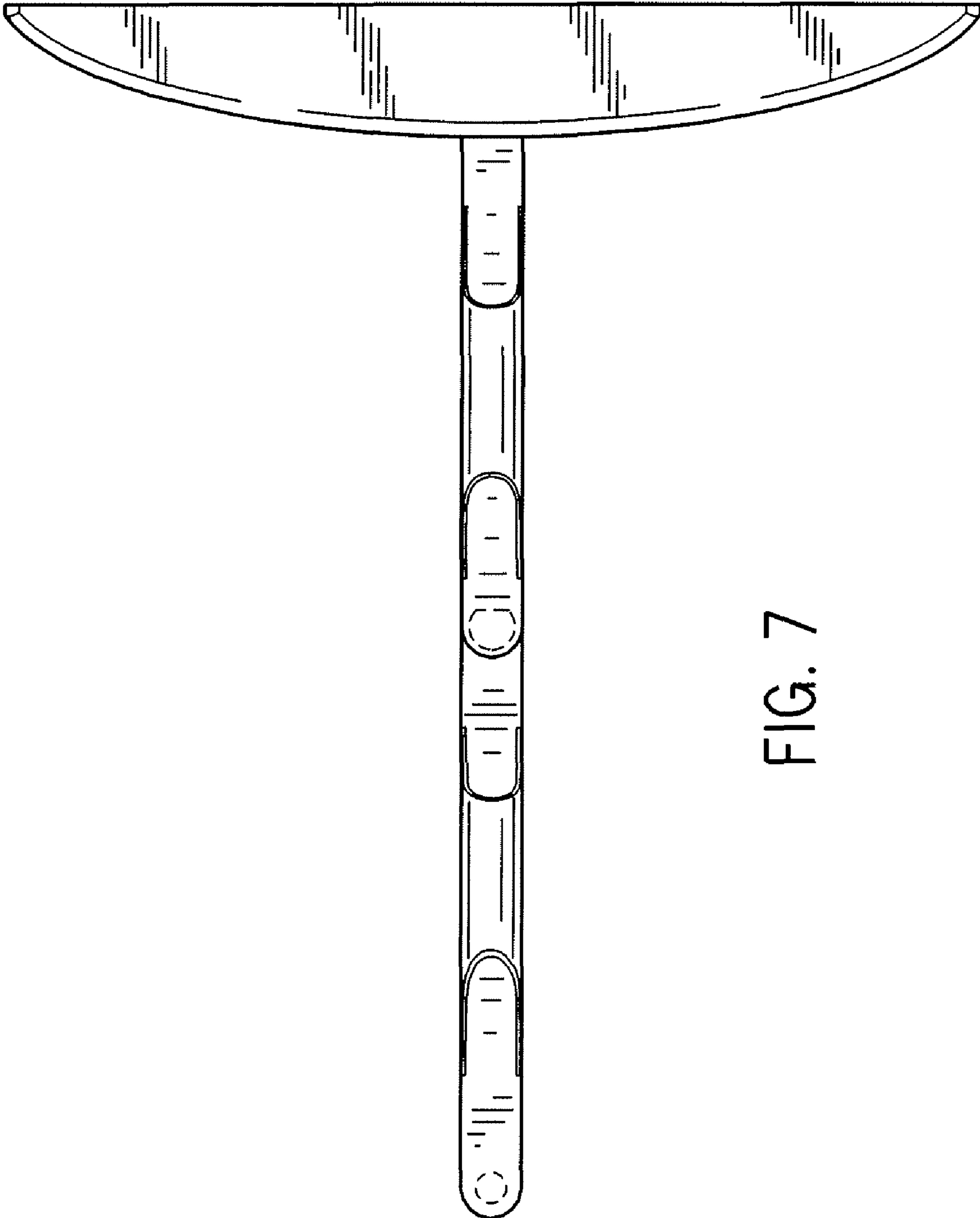


FIG. 7

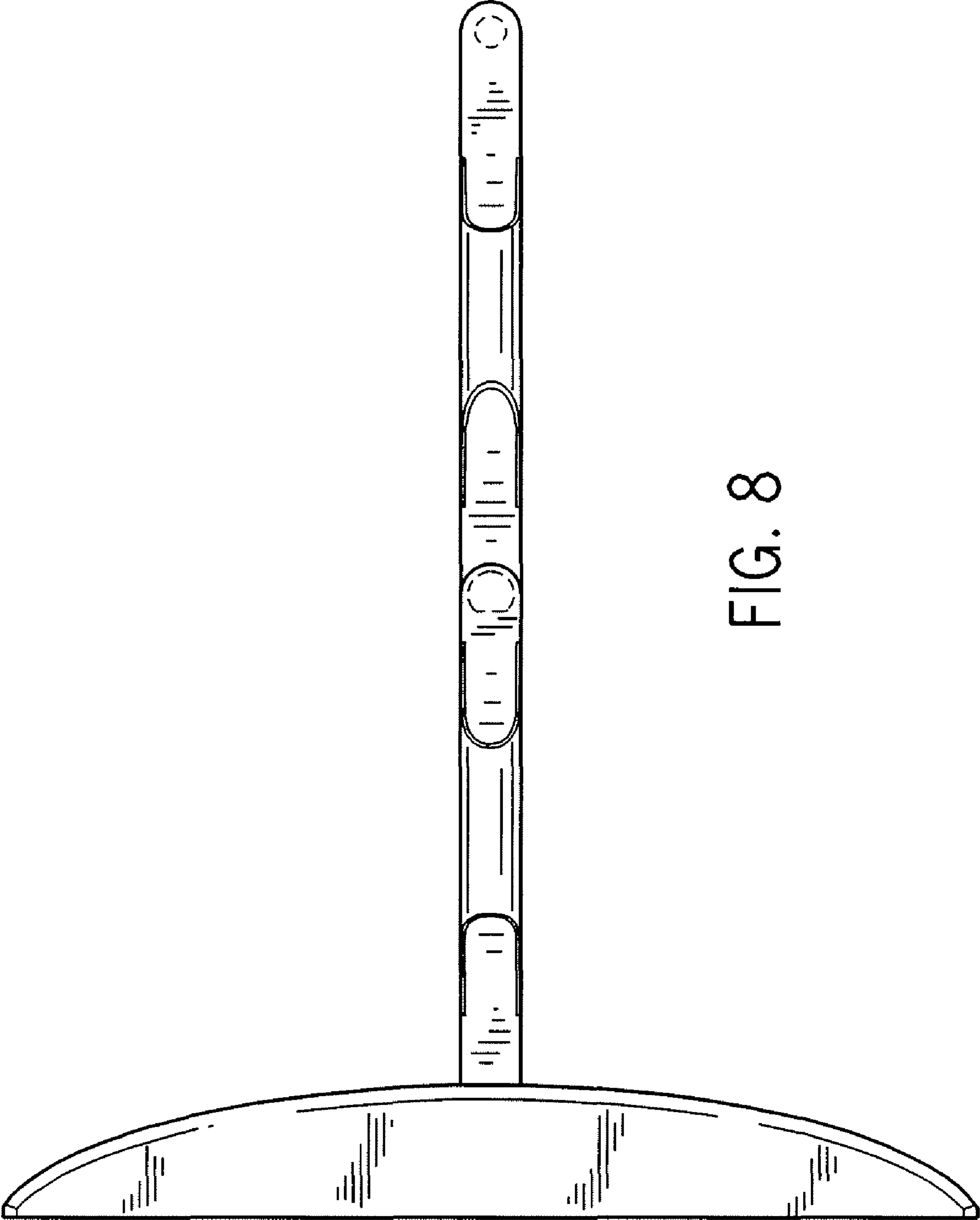


FIG. 8

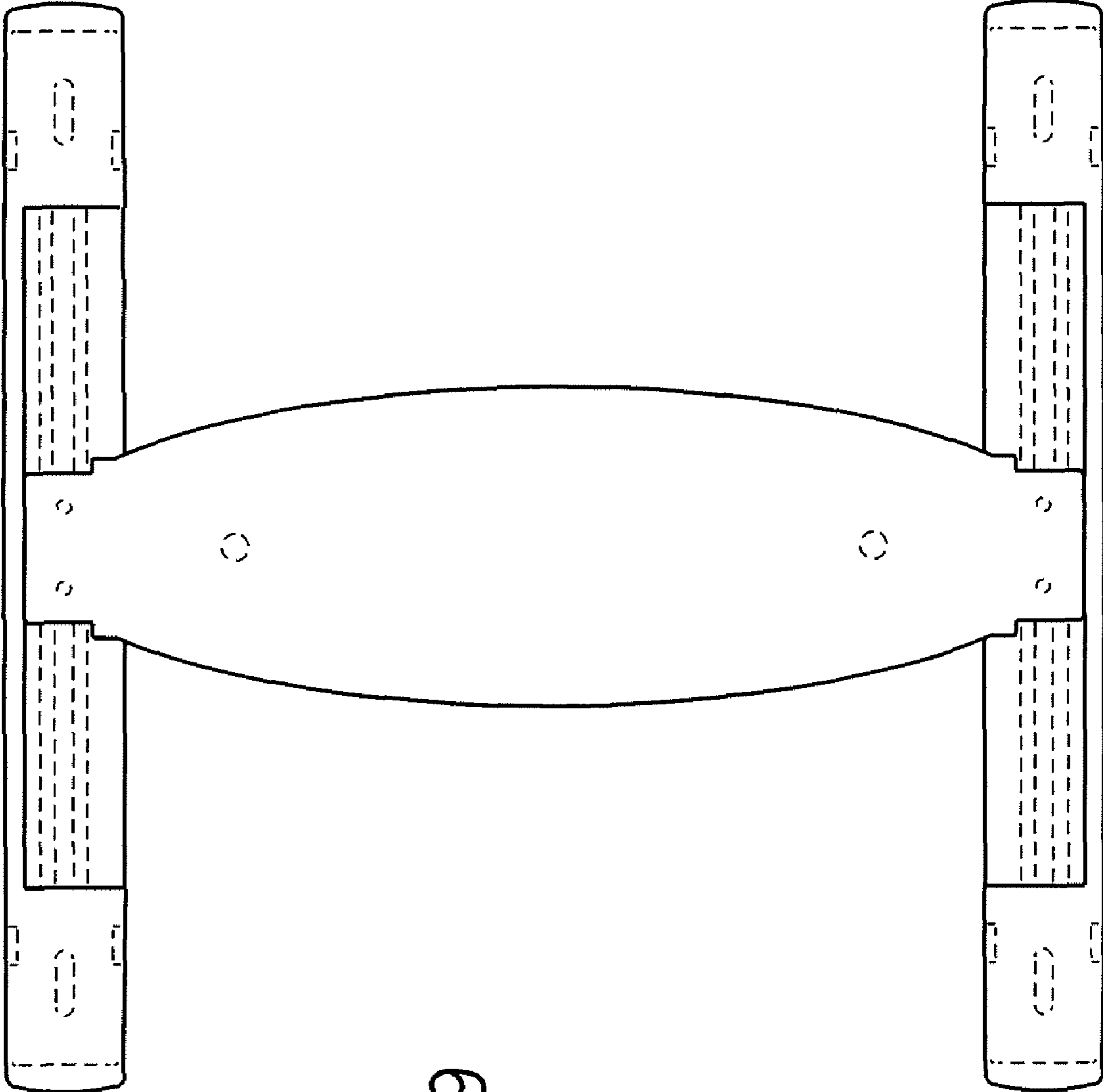


FIG. 9

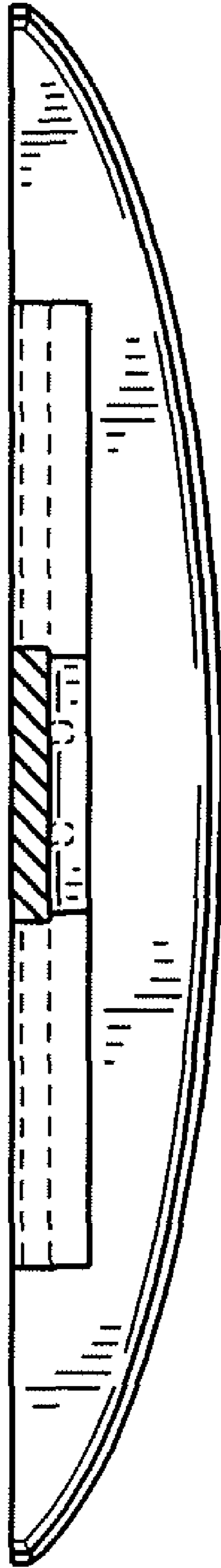


FIG. 10