



US00D627766S

(12) **United States Design Patent**
Arimoto

(10) **Patent No.:** **US D627,766 S**

(45) **Date of Patent:** **** Nov. 23, 2010**

(54) **EARPHONE**

(75) Inventor: **Takuya Arimoto**, Tokyo (JP)

(73) Assignee: **Victor Company of Japan, Limited**,
Yokohama-shi (JP)

(**) Term: **14 Years**

(21) Appl. No.: **29/347,548**

(22) Filed: **Mar. 2, 2010**

(30) **Foreign Application Priority Data**

Sep. 7, 2009 (JP) D2009-020524

(51) **LOC (9) Cl.** **14-01**

(52) **U.S. Cl.** **D14/223**

(58) **Field of Classification Search** D14/205,
D14/206, 223; 181/129, 130, 135; 379/430,
379/433.01; 381/380, 381, 322; D24/174;
128/864, 865; 455/90.3, 575.1, 575.2
See application file for complete search history.

(56) **References Cited**

U.S. PATENT DOCUMENTS

D564,495 S * 3/2008 Sasaki D14/205
D574,361 S * 8/2008 Sasaki D14/205
D587,681 S * 3/2009 Yanai D14/205
D591,721 S * 5/2009 Densho D14/205

D593,537 S * 6/2009 Arimoto D14/205
D605,182 S * 12/2009 Fagnot D14/223
D614,168 S * 4/2010 Rogers et al. D14/206
D616,874 S * 6/2010 Matsuoka D14/223
D618,670 S * 6/2010 Tahara D14/223
D619,122 S * 7/2010 Nomura D14/223
D621,389 S * 8/2010 Nagayama et al. D14/223
D623,171 S * 9/2010 Chen et al. D14/223
D623,630 S * 9/2010 Ohori et al. D14/223

* cited by examiner

Primary Examiner—Paula Greene

(74) *Attorney, Agent, or Firm*—The Nath Law Group; Jerald L. Meyer; Derek Richmond

(57) **CLAIM**

The ornamental design for an earphone, as shown and described.

DESCRIPTION

FIG. 1 is a perspective view of an earphone;

FIG. 2 is a front view thereof;

FIG. 3 is a rear view thereof;

FIG. 4 is a top plan view thereof;

FIG. 5 is a bottom plan view thereof;

FIG. 6 is a right side view thereof; and,

FIG. 7 is a left side view thereof.

1 Claim, 7 Drawing Sheets

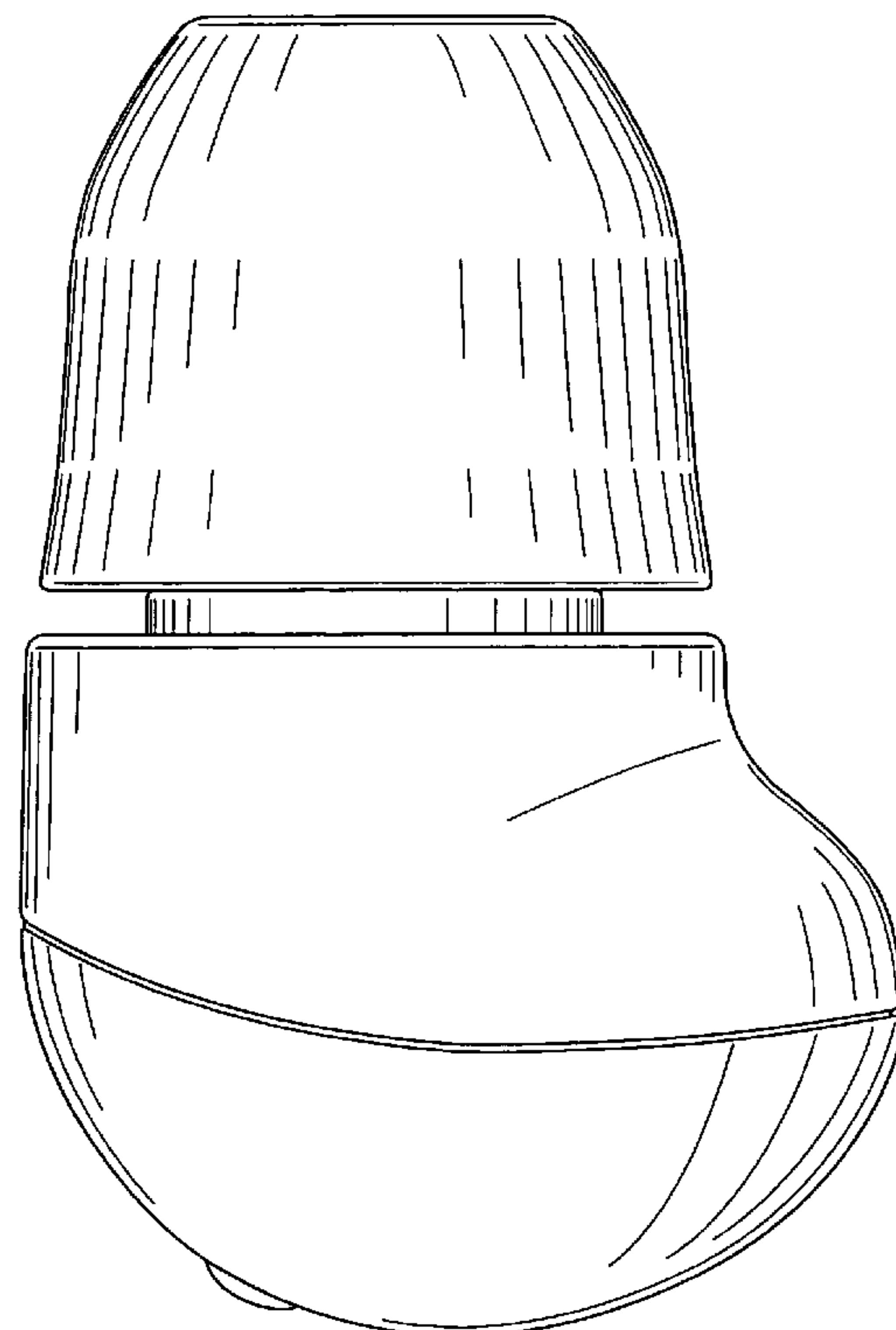
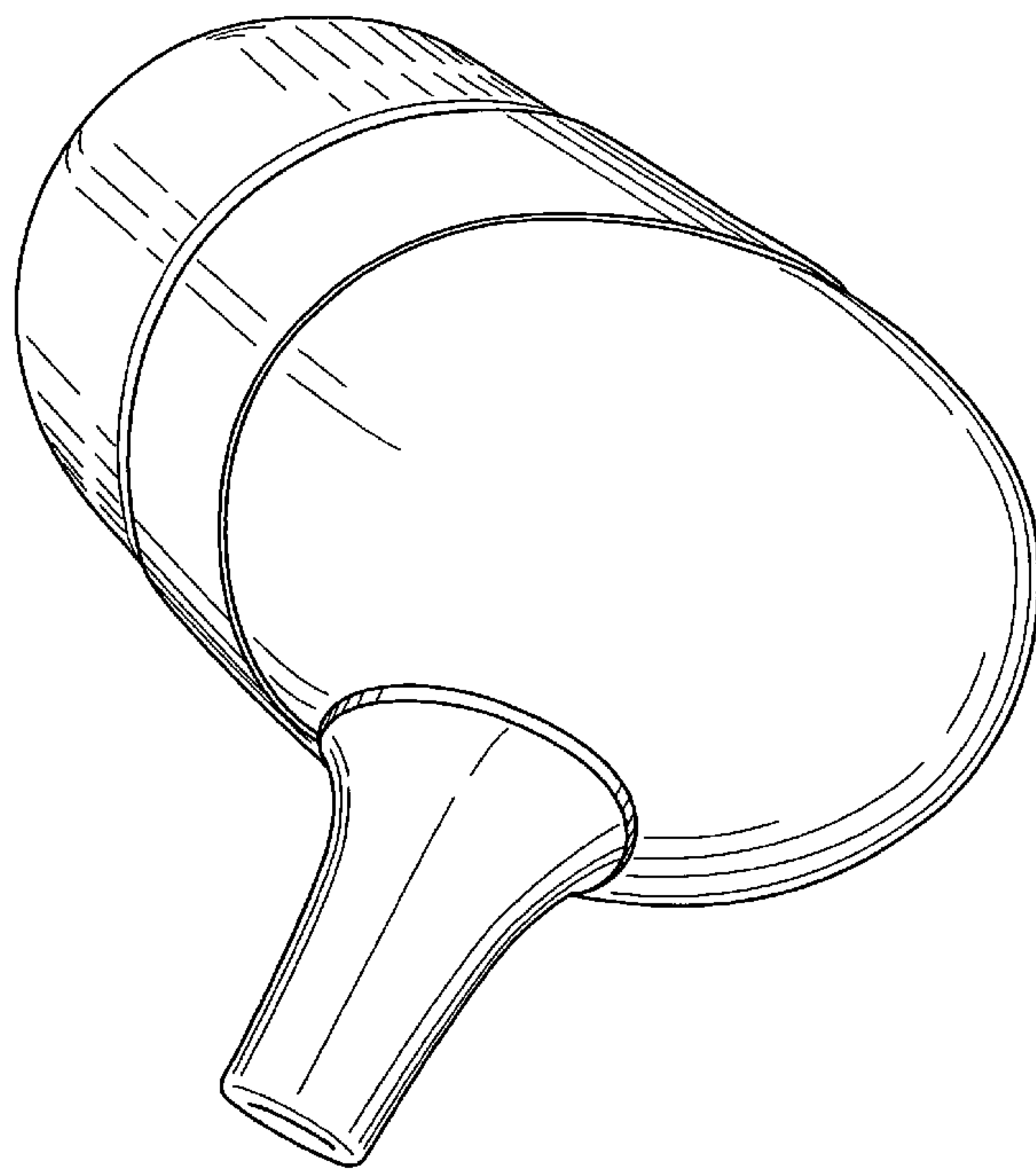


Fig.1

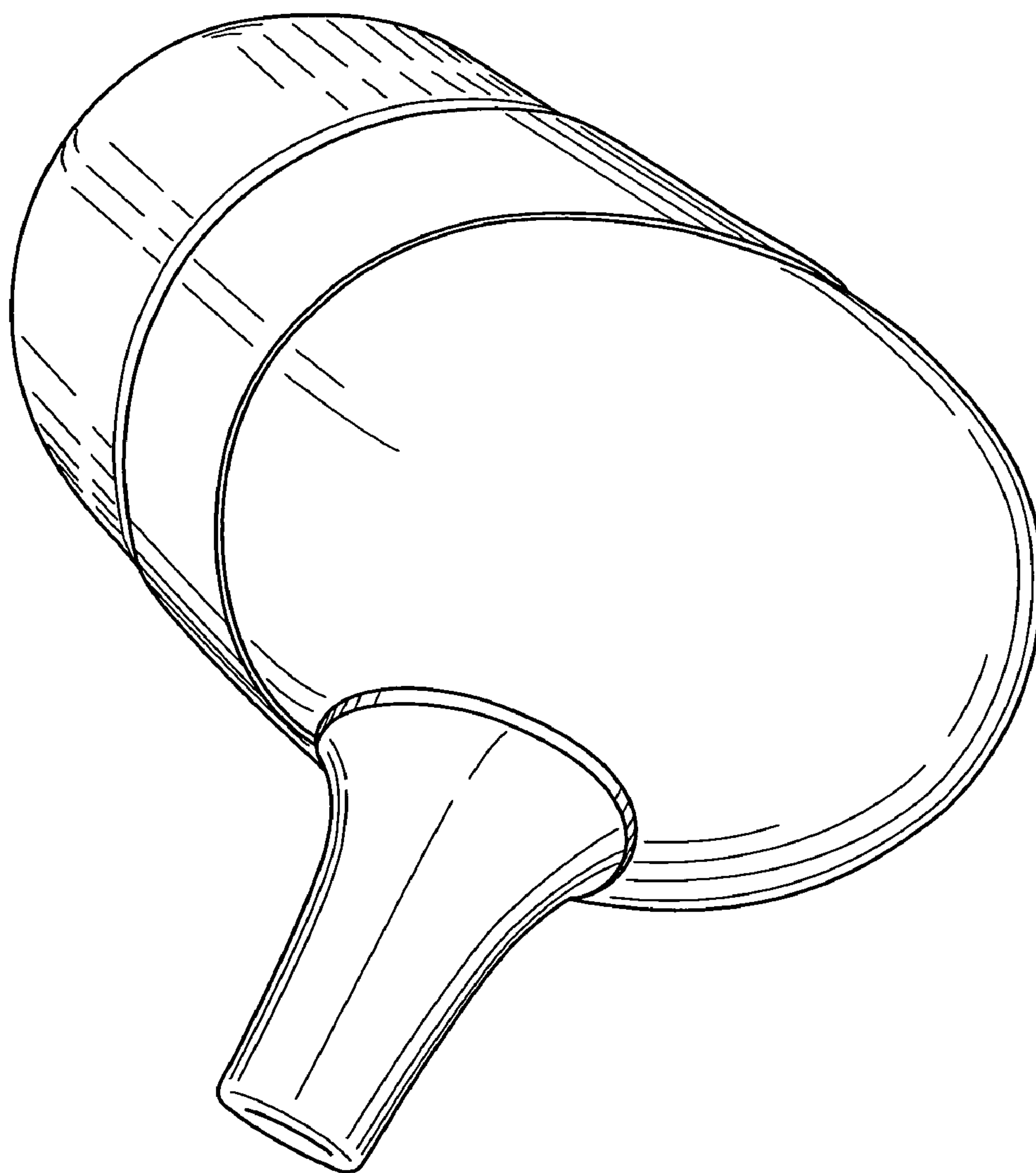


Fig.2

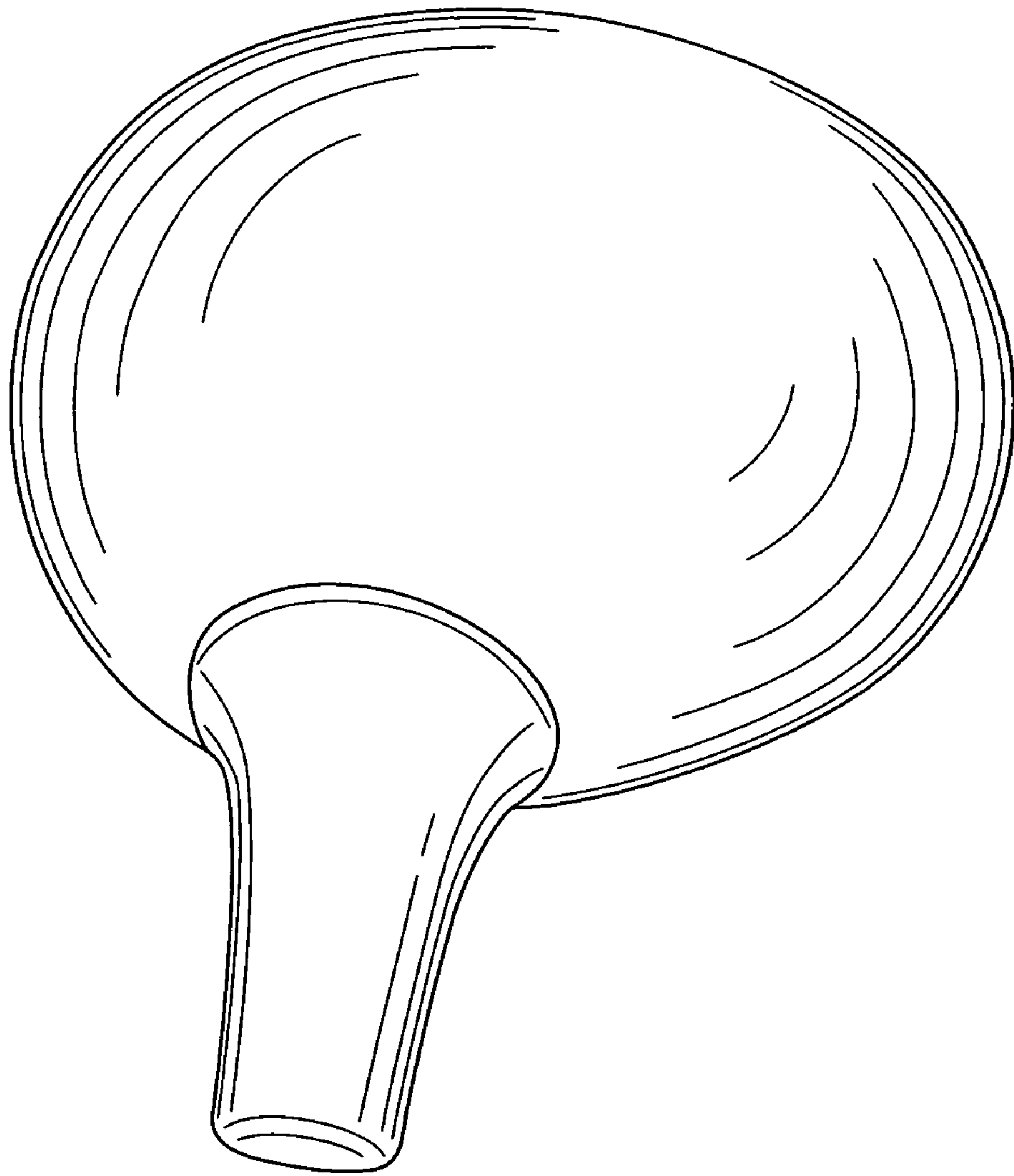


Fig.3

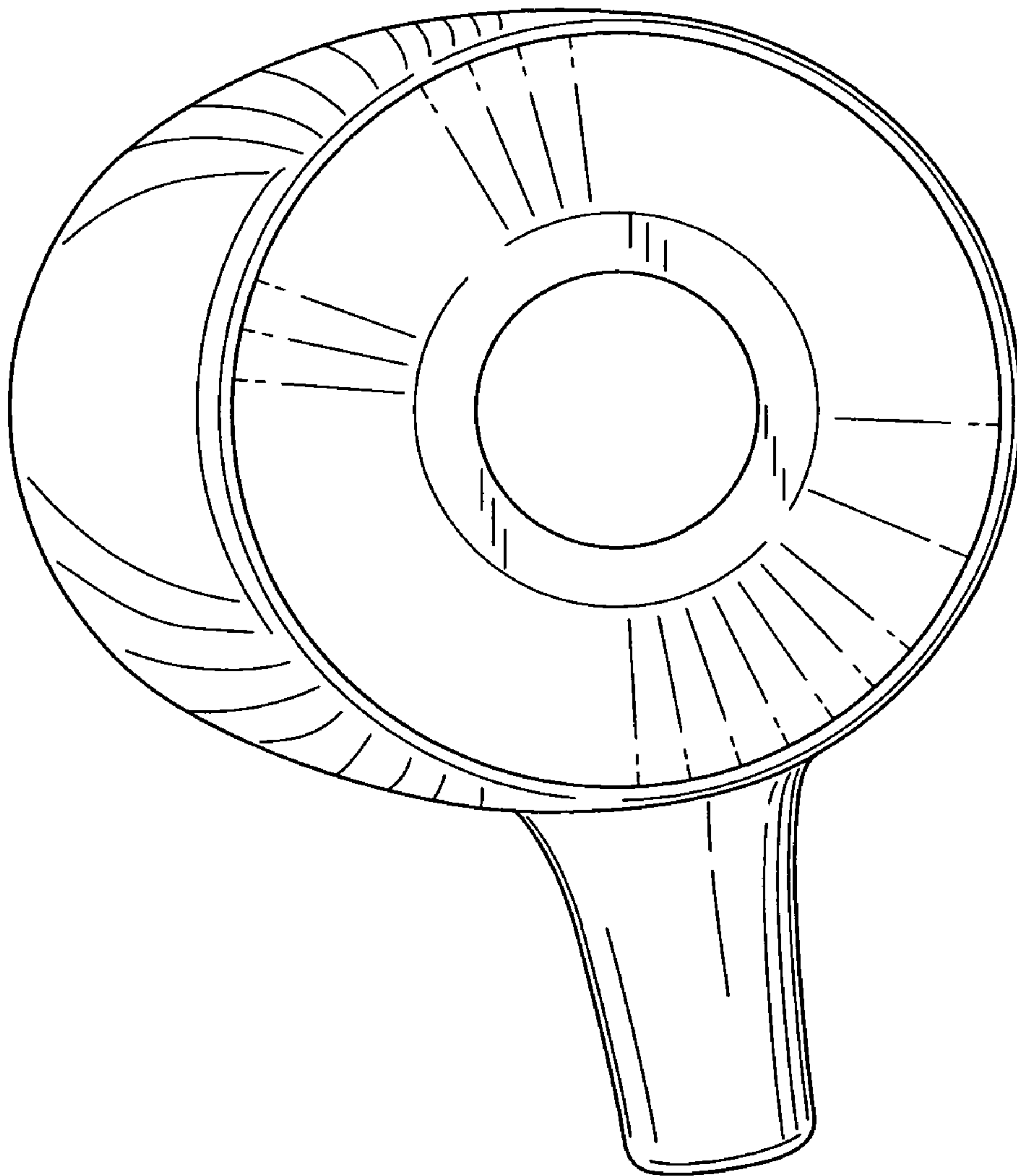


Fig.4

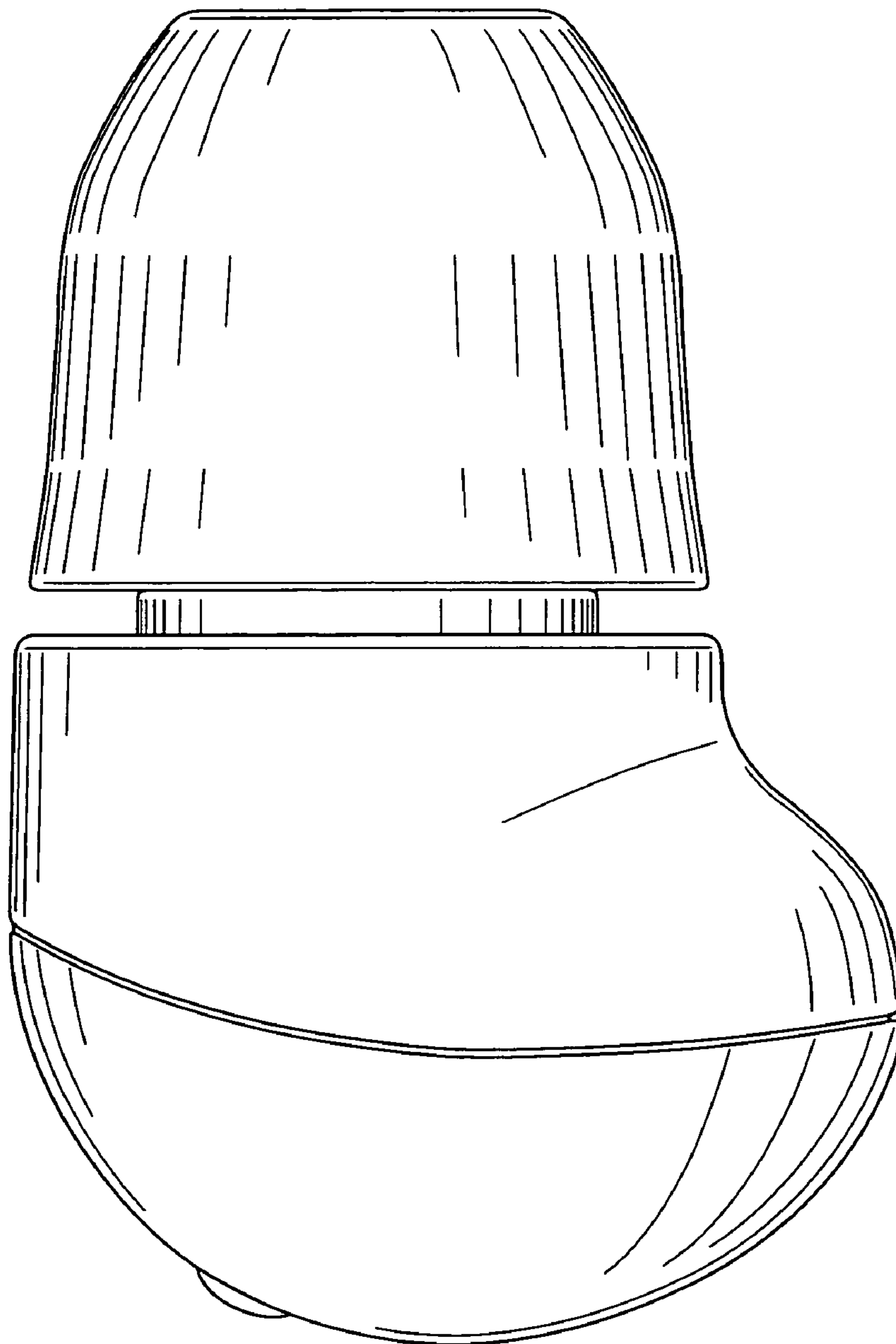


Fig.5

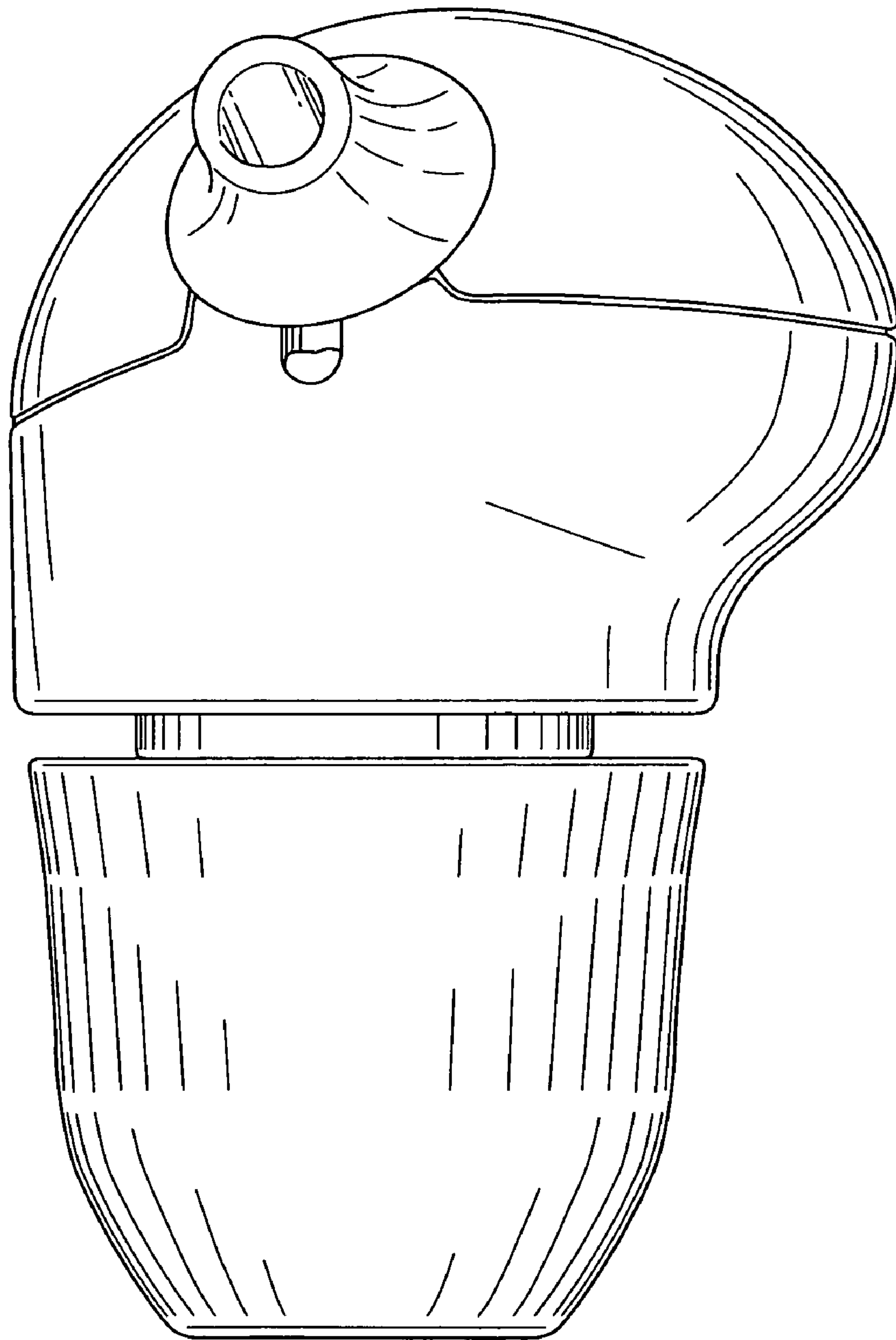


Fig.6

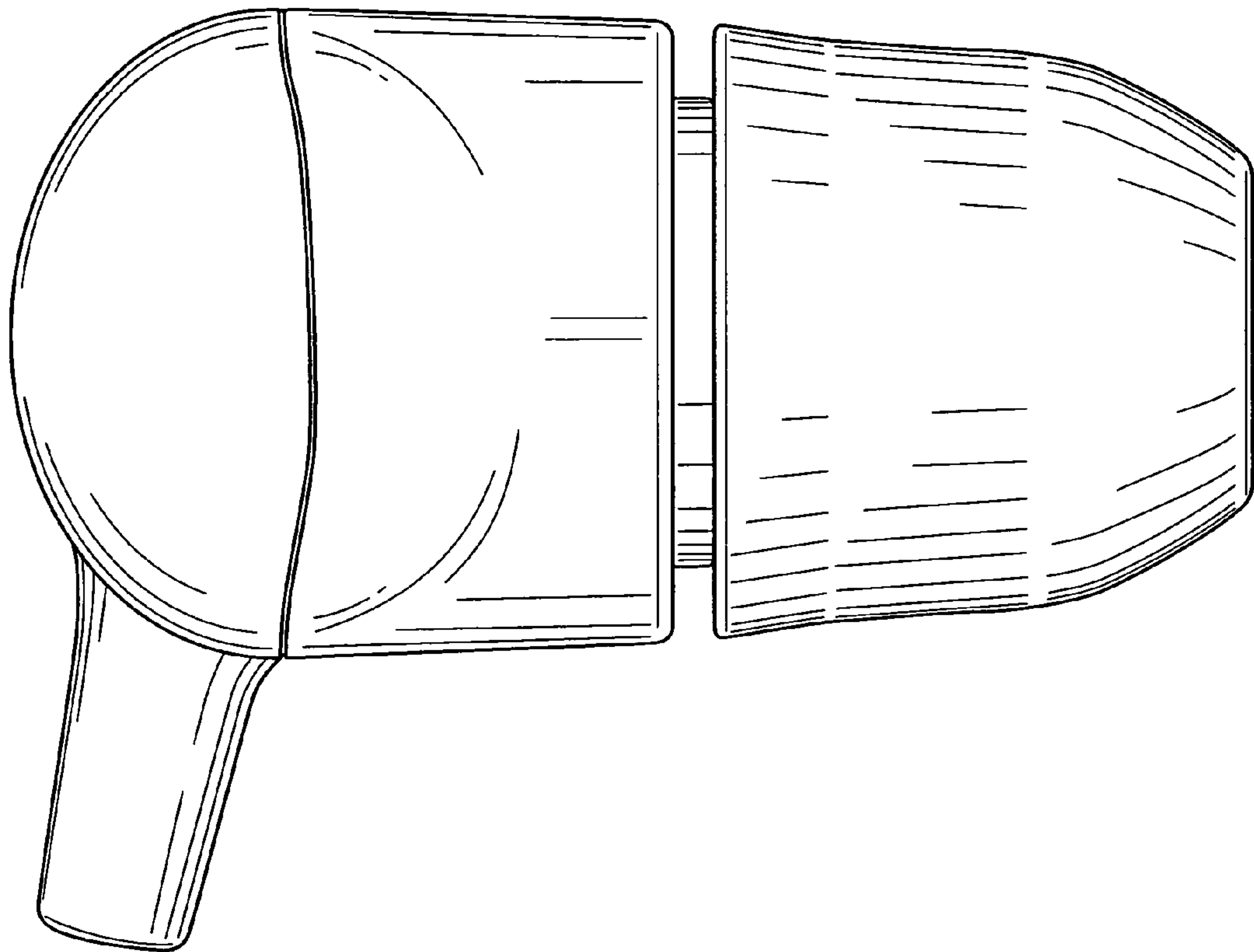


Fig.7

