



US00D627765S

(12) **United States Design Patent**
Zheng

(10) **Patent No.:** **US D627,765 S**
(45) **Date of Patent:** **** Nov. 23, 2010**

(54) **EARPHONE**

(75) Inventor: **Qi Zheng**, Tokyo (JP)

(73) Assignee: **Sony Corporation**, Tokyo (JO)

(**) Term: **14 Years**

(21) Appl. No.: **29/347,415**

(22) Filed: **Dec. 28, 2009**

(30) **Foreign Application Priority Data**

Aug. 14, 2009 (CN) 2009 3 0190319

(51) **LOC (9) Cl.** **14-01**

(52) **U.S. Cl.** **D14/223**

(58) **Field of Classification Search** D14/205,
D14/206, 223, 192, 249; 181/129, 130, 135;
379/430, 433.02, 433.03; 381/380, 381;
128/864, 865, 866; D24/174; 455/90.1,
455/90.2, 575.1

See application file for complete search history.

(56) **References Cited**

U.S. PATENT DOCUMENTS

1,406,510	A	*	2/1922	Weber	381/380
4,588,867	A	*	5/1986	Konomi	379/430
4,965,838	A	*	10/1990	Kamon et al.	381/380
D337,589	S	*	7/1993	Wada	D14/223
D340,932	S	*	11/1993	Yan	D14/249
D353,379	S		12/1994	Nakamura et al.		
D357,921	S	*	5/1995	Ming-Chin	D14/223
D369,349	S	*	4/1996	Hayashi	D14/223
D371,368	S		7/1996	Hayashi		
D384,958	S		10/1997	Shudo		
D431,553	S		10/2000	Suzuki		
D474,171	S		5/2003	Suzuki		
D485,548	S		1/2004	Obata		
D487,077	S		2/2004	Obata		
D510,085	S		9/2005	Suzuki		
D523,846	S	*	6/2006	Lee	D14/205
D533,868	S		12/2006	Koizumi		
D539,268	S	*	3/2007	Suzuki	D14/206
D554,627	S	*	11/2007	Gondo	D14/223

D555,152	S	*	11/2007	Wang	D14/223
D564,495	S	*	3/2008	Sasaki	D14/205
D566,099	S	*	4/2008	Komiyama	D14/206
D567,217	S	*	4/2008	Kamo et al.	D14/205
D572,703	S	*	7/2008	Ledbetter et al.	D14/205
D576,154	S	*	9/2008	Ledbetter et al.	D14/223
D583,804	S	*	12/2008	Mahler et al.	D14/223
D586,332	S	*	2/2009	Ewert et al.	D14/223
D587,681	S	*	3/2009	Yanai	D14/205
D587,685	S	*	3/2009	Densho	D14/206
D589,493	S	*	3/2009	Densho	D14/206
D591,721	S		5/2009	Densho		
D591,722	S		5/2009	Densho		
D599,778	S	*	9/2009	Ando	D14/205
D602,905	S	*	10/2009	Morisawa	D14/205
D604,272	S	*	11/2009	Kitayama	D14/223
D604,718	S	*	11/2009	Paterson	D14/206

(Continued)

FOREIGN PATENT DOCUMENTS

JP D1082764 S 8/2000

(Continued)

Primary Examiner—Paula Greene

(74) *Attorney, Agent, or Firm*—Rader, Fishman & Grauer PLLC

(57) **CLAIM**

The ornamental design for earphone, as shown and described.

DESCRIPTION

FIG. 1 is a perspective view of earphone showing my new design;

FIG. 2 is a front elevational view thereof;

FIG. 3 is a rear elevational view thereof;

FIG. 4 is a left side elevational view thereof;

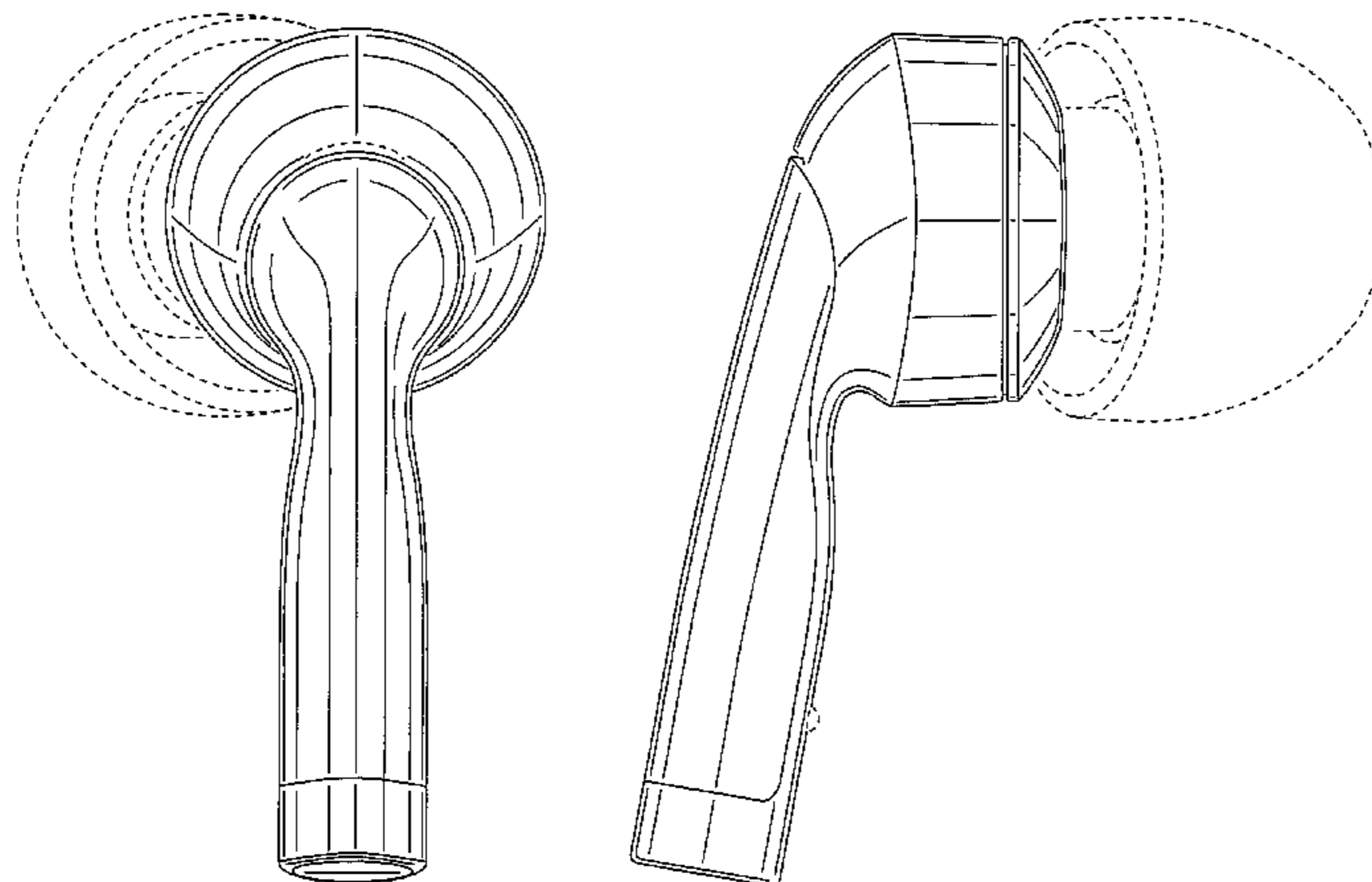
FIG. 5 is a right side elevational view thereof;

FIG. 6 is a top plan view thereof; and,

FIG. 7 is a bottom plan view thereof.

Portions in broken lines are for illustrative purpose only and form no part of the claimed design.

1 Claim, 7 Drawing Sheets



US D627,765 S

Page 2

U.S. PATENT DOCUMENTS

D605,182 S * 12/2009 Fagnot D14/223
D605,636 S * 12/2009 Yang D14/223
D606,971 S * 12/2009 Christopher et al. D14/205
D616,874 S * 6/2010 Matsuoka D14/223

FOREIGN PATENT DOCUMENTS

JP D1084055 S 9/2000
JP D1246301 S 8/2005
JP D1305907 S 7/2007
* cited by examiner

FIG. 1

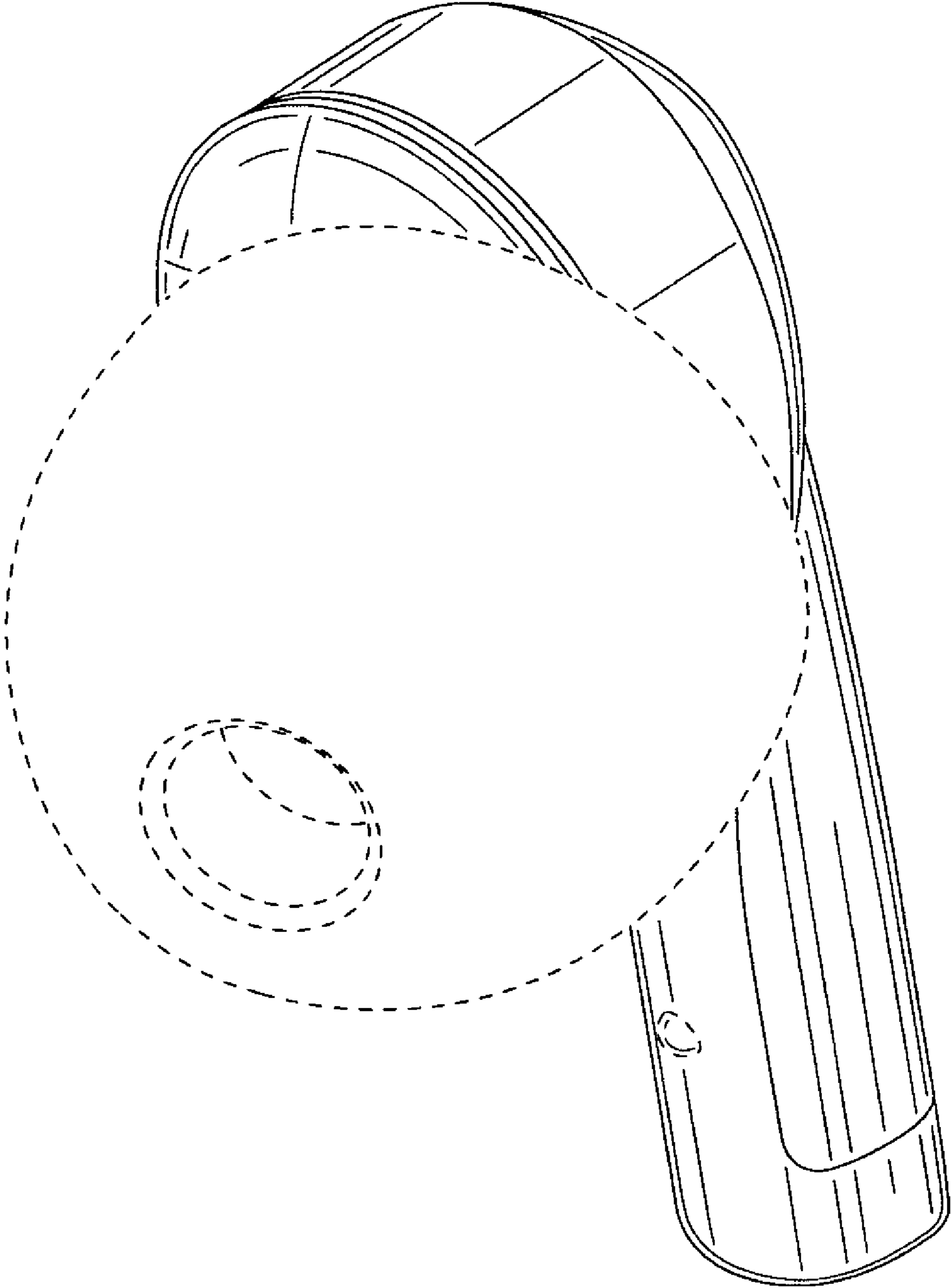


FIG.2

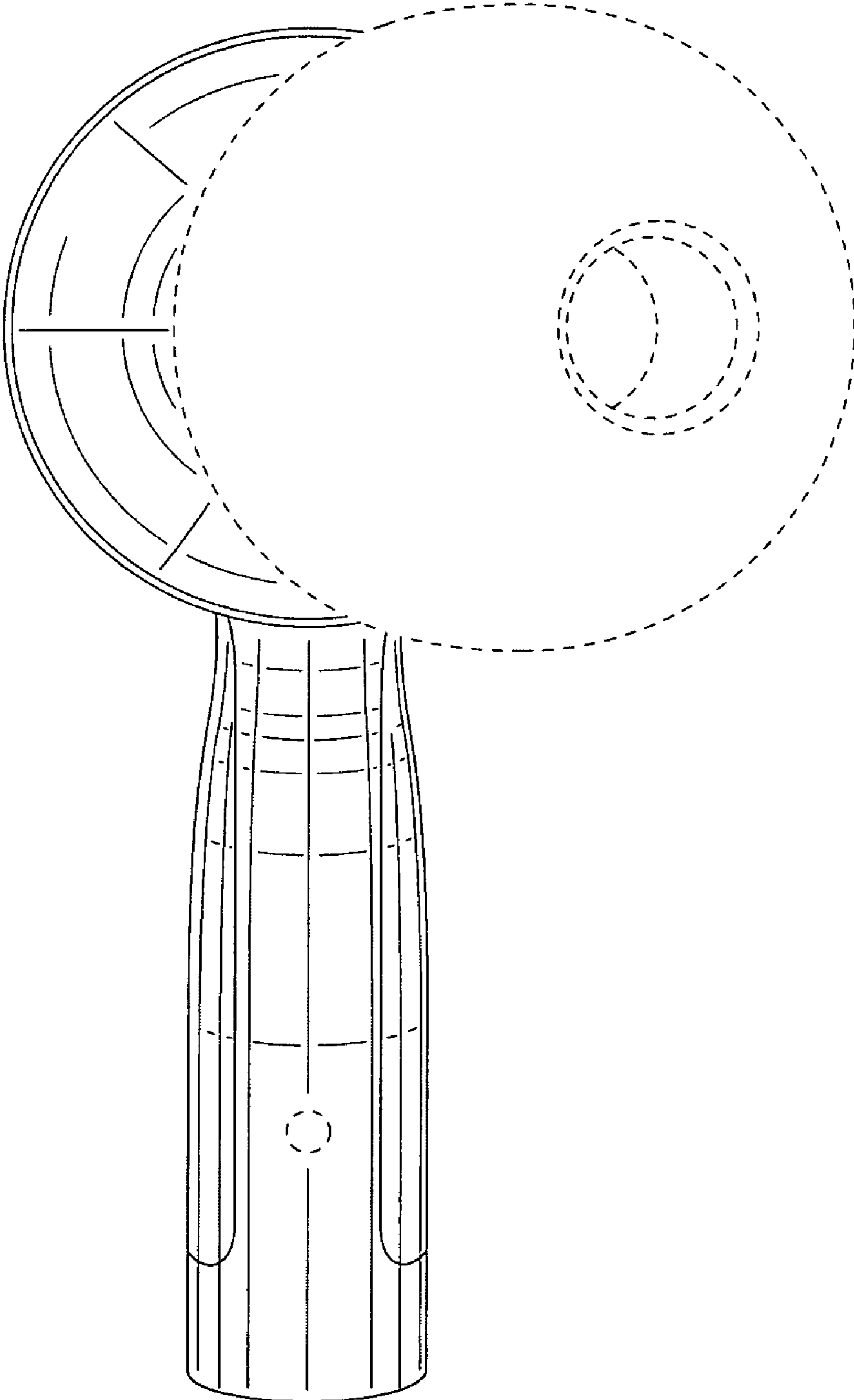


FIG.3

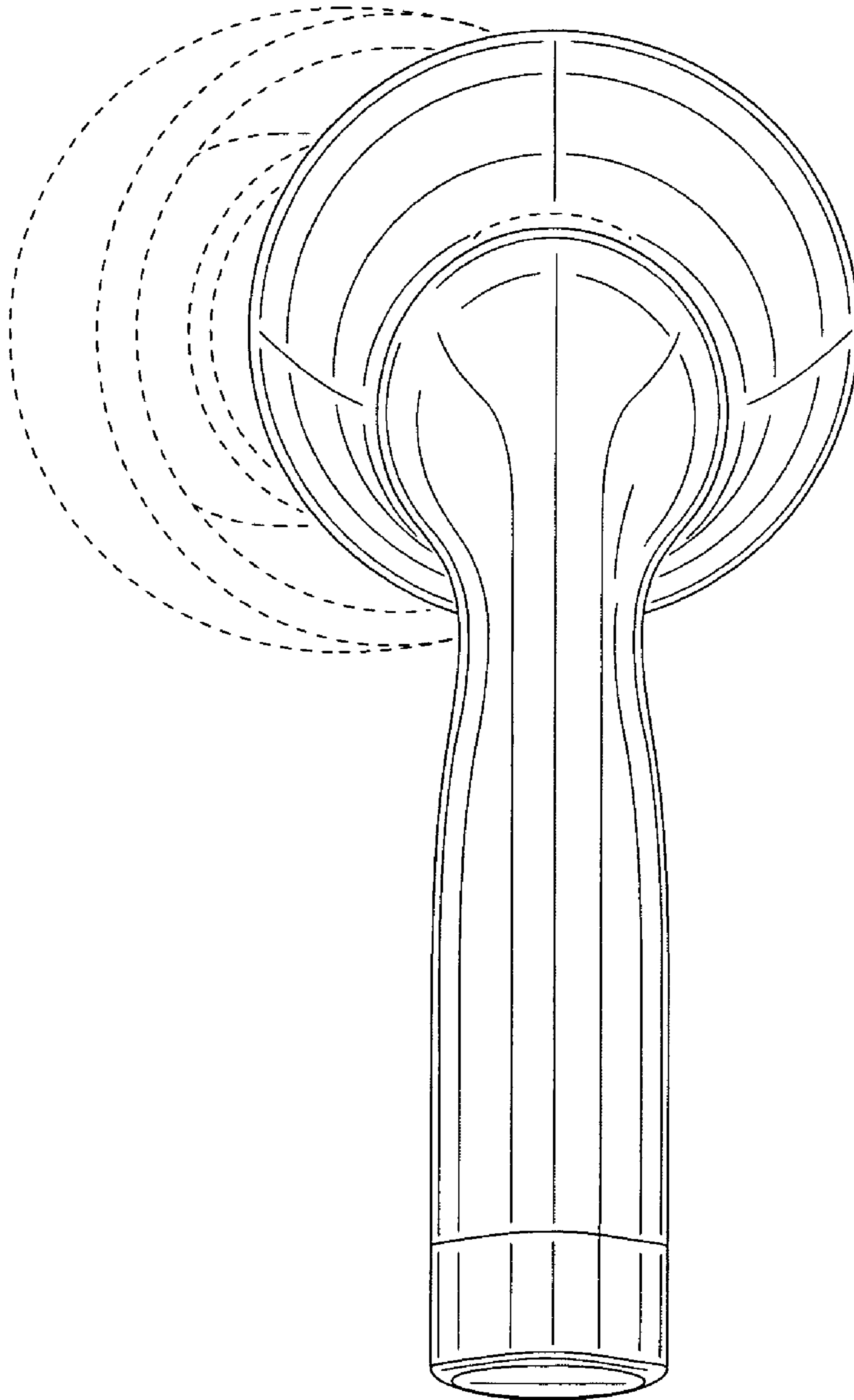


FIG.4

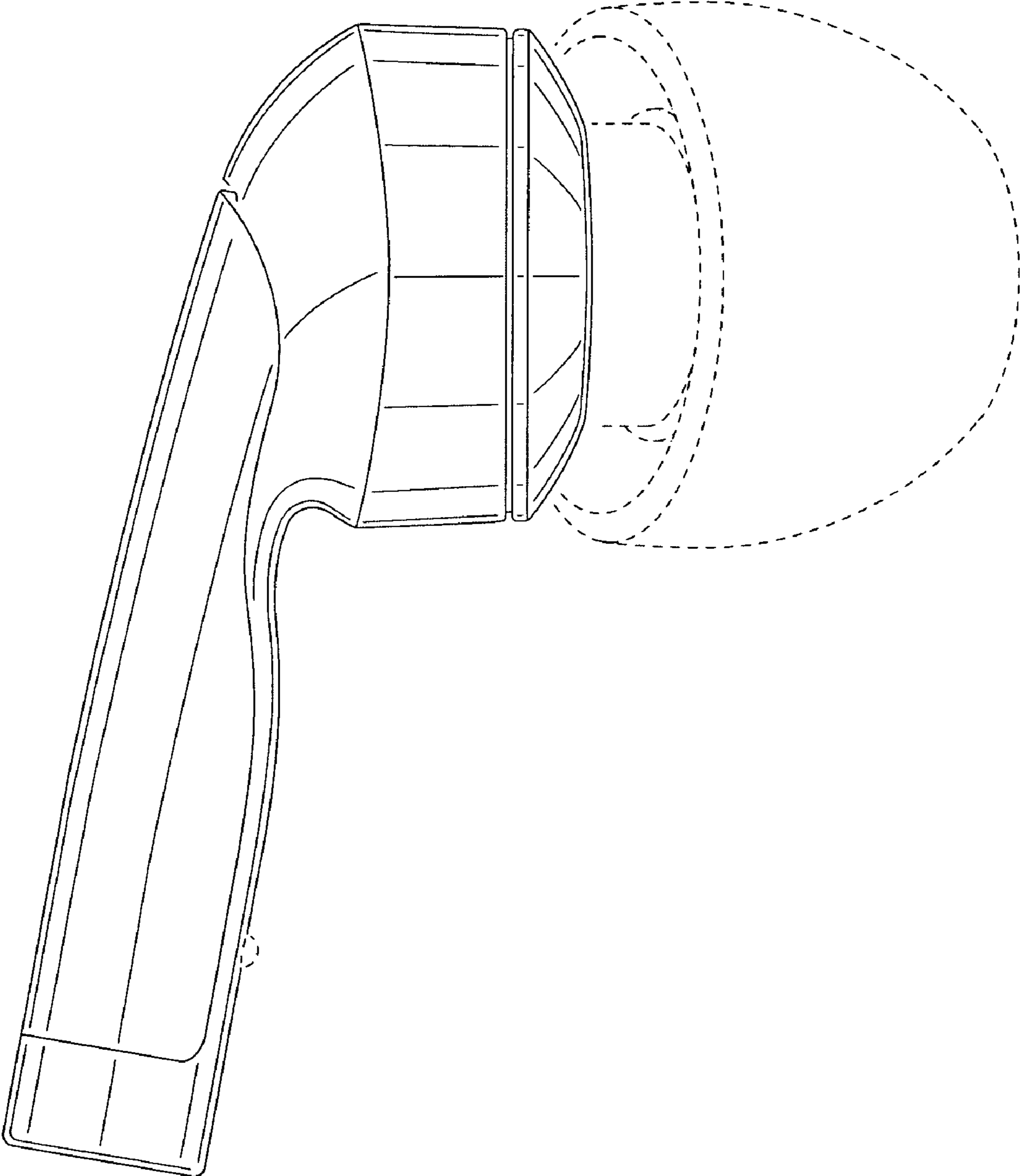


FIG.5

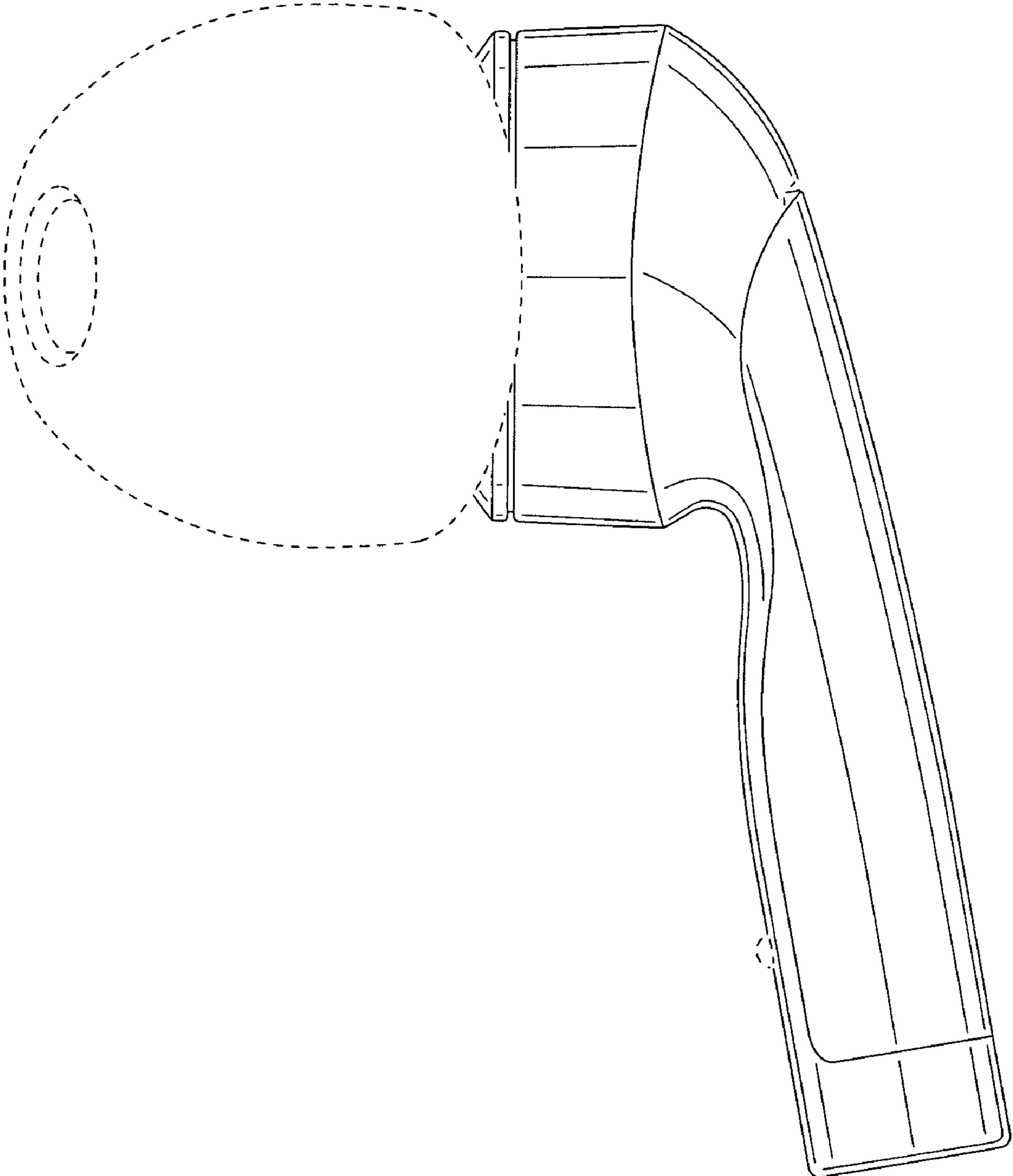


FIG.6

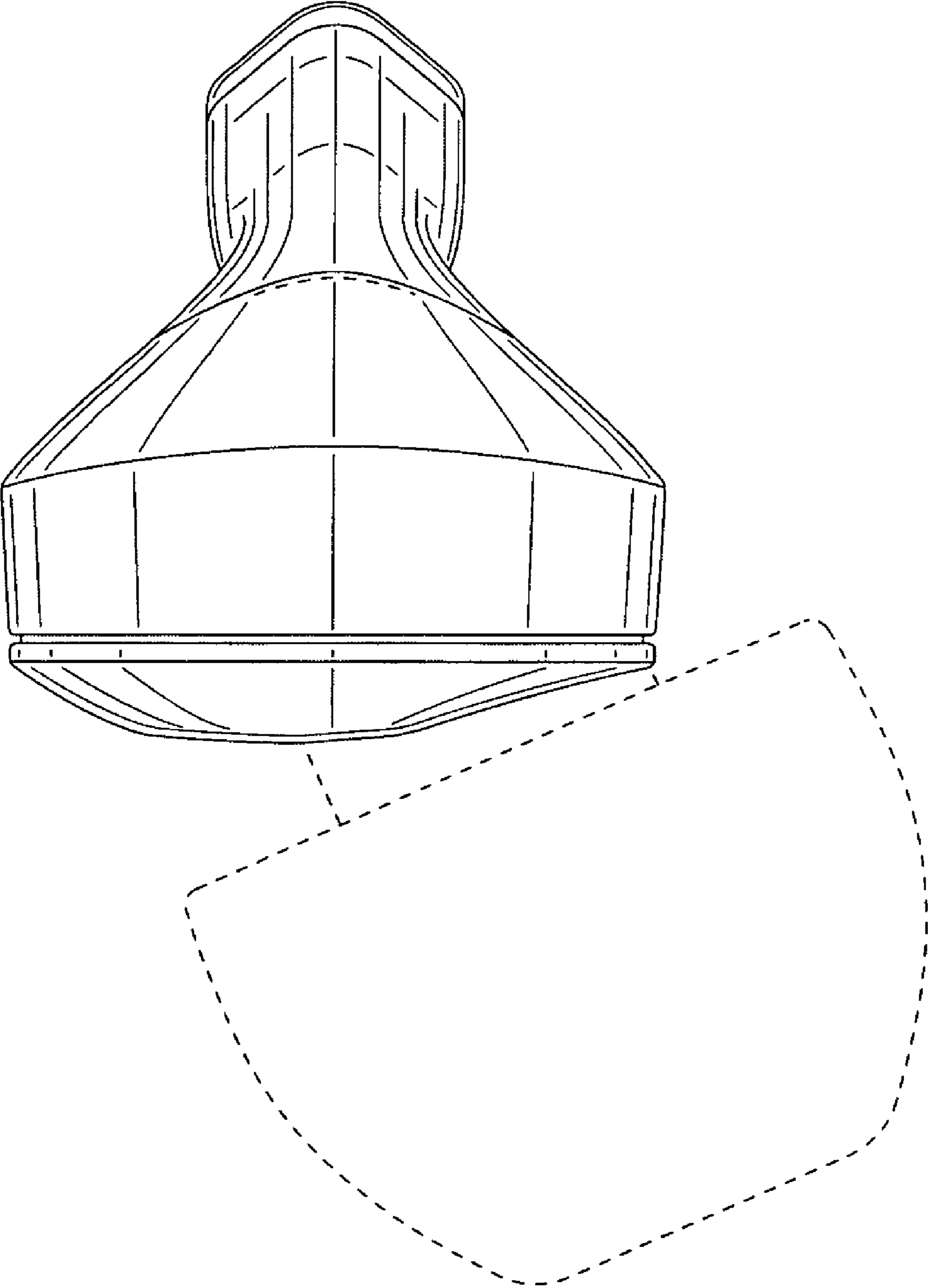


FIG.7

