



US00D627764S

(12) **United States Design Patent**
Tsai et al.

(10) **Patent No.:** **US D627,764 S**

(45) **Date of Patent:** **** *Nov. 23, 2010**

(54) **EARPHONE**

(75) Inventors: **Cheng-Yu Tsai**, Taichung (TW);
Chung-Yi Huang, Taichung (TW)

(73) Assignee: **Merry Electronics Co., Ltd.**, Taichung (TW)

(*) Notice: This patent is subject to a terminal disclaimer.

(**) Term: **14 Years**

(21) Appl. No.: **29/342,169**

(22) Filed: **Aug. 19, 2009**

(51) **LOC (9) Cl.** **14-01**

(52) **U.S. Cl.** **D14/223**

(58) **Field of Classification Search** D14/205,
D14/206, 223; 181/129, 130, 135; 379/430,
379/420.04; 128/866; 381/380, 381; 455/90.2,
455/575.1; D24/106, 174

See application file for complete search history.

(56) **References Cited**

U.S. PATENT DOCUMENTS

2,584,402	A *	2/1952	Volkman	181/129
4,554,993	A *	11/1985	Houng	181/130
5,363,444	A *	11/1994	Norris	379/430
5,410,608	A *	4/1995	Lucey et al.	381/360
D457,514	S *	5/2002	Marion et al.	D14/223
6,574,345	B1 *	6/2003	Huang	381/380
D554,627	S *	11/2007	Gondo	D14/223
D555,152	S *	11/2007	Wang	D14/223
7,349,550	B2 *	3/2008	Oliveira et al.	381/380
D567,217	S *	4/2008	Kamo et al.	D14/205
D572,703	S *	7/2008	Ledbetter et al.	D14/205
D573,978	S *	7/2008	Ledbetter et al.	D14/205
D576,154	S *	9/2008	Ledbetter et al.	D14/223

D579,005	S *	10/2008	Wilhelmsen	D14/223
D579,444	S *	10/2008	Ewert et al.	D14/223
D586,332	S *	2/2009	Ewert et al.	D14/223
D587,681	S *	3/2009	Yanai	D14/205
D587,685	S *	3/2009	Densho	D14/206
D594,441	S *	6/2009	Lee et al.	D14/205
D598,894	S *	8/2009	Masuda et al.	D14/205
D602,905	S *	10/2009	Morisawa	D14/205
D606,972	S *	12/2009	Schaefer	D14/205
D611,934	S *	3/2010	Schaefer	D14/223

* cited by examiner

Primary Examiner—Paula Greene

(74) *Attorney, Agent, or Firm*—Morris, Manning & Martin LLP; Tim Tingkang Xia

(57) **CLAIM**

The ornamental design for an earphone, as shown and described.

DESCRIPTION

FIG. 1 is a perspective view of an earphone showing our new design;

FIG. 2 is a front view thereof;

FIG. 3 is a rear view thereof;

FIG. 4 is a left side view thereof;

FIG. 5 is a right side view thereof;

FIG. 6 is a top view thereof;

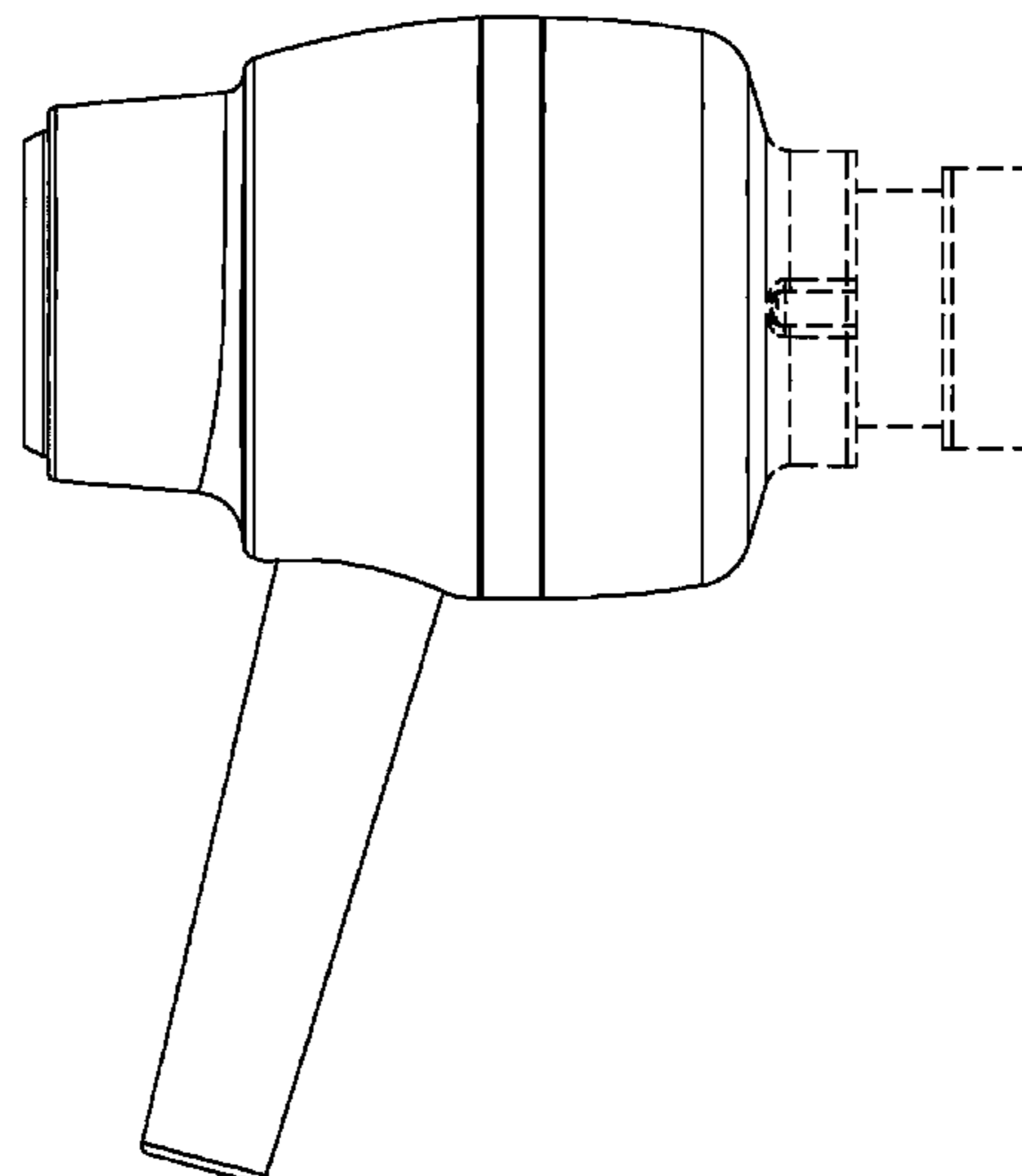
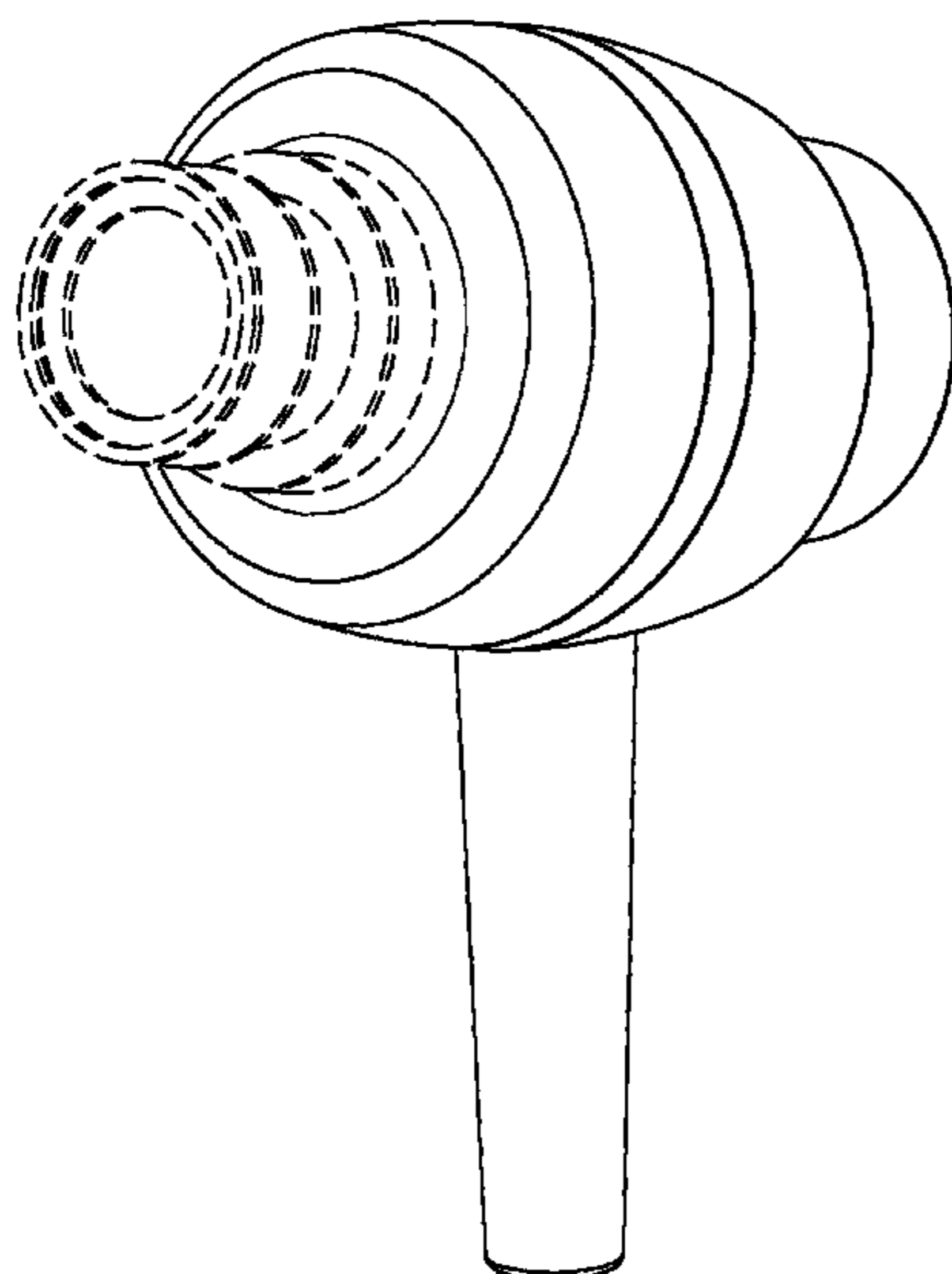
FIG. 7 is a bottom view thereof;

FIG. 8 is a perspective view of my new design in other view angle; and,

FIG. 9 is a perspective view thereof.

The broken lines illustrate the environment elements of the earphone and form no part of the claimed design.

1 Claim, 9 Drawing Sheets



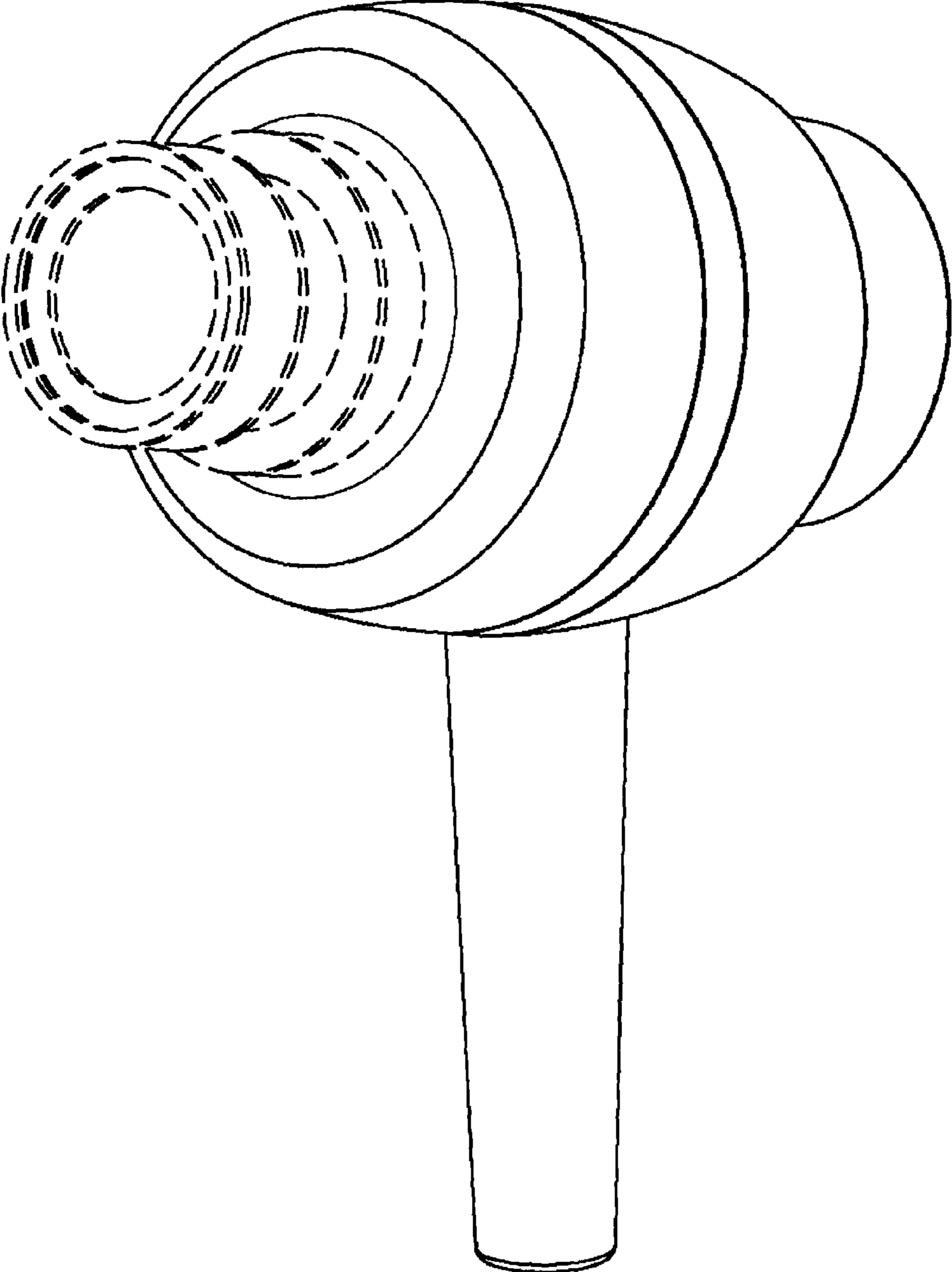


FIG. 1

CEMENT DRAWINGS

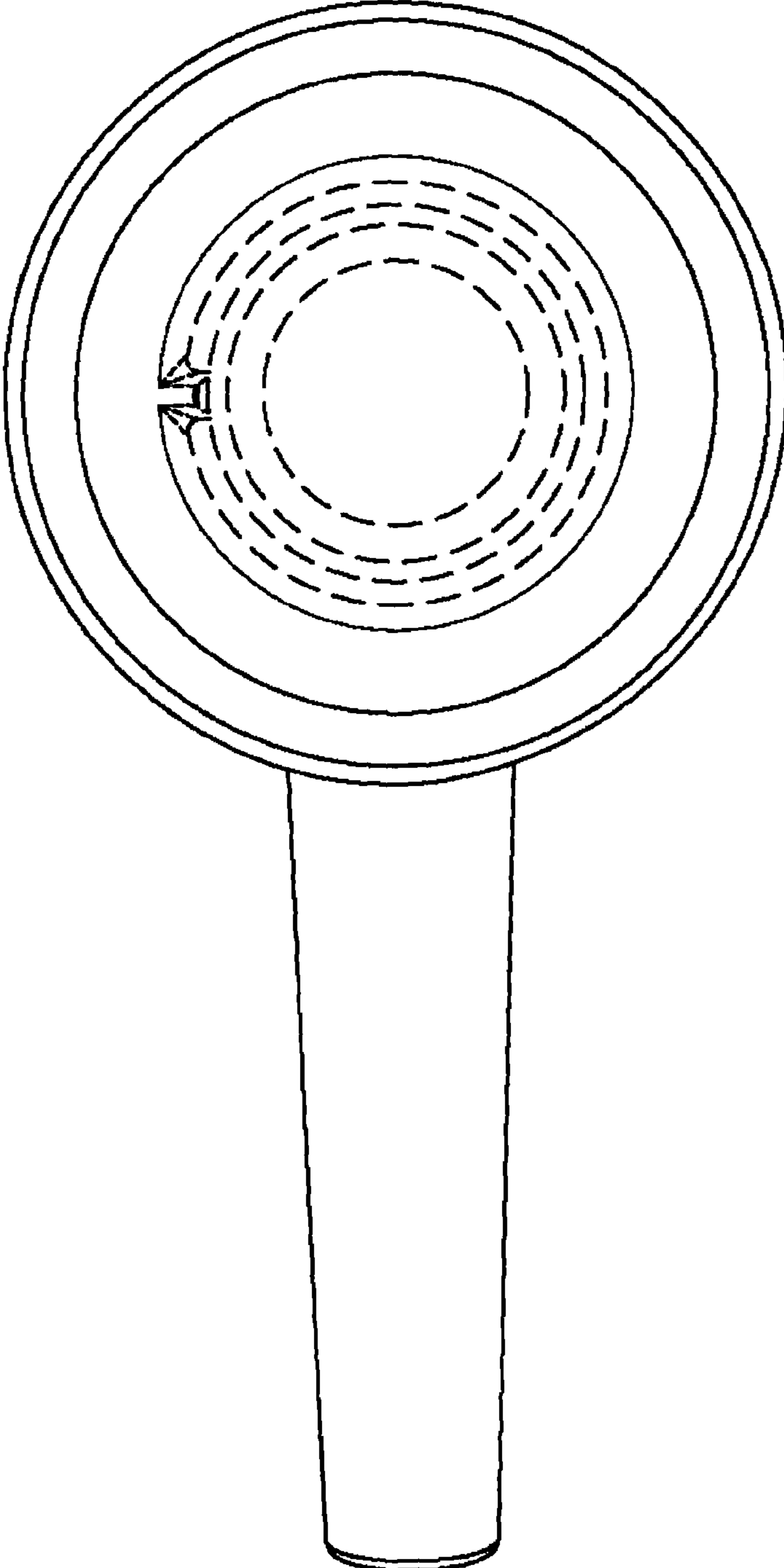


FIG. 2

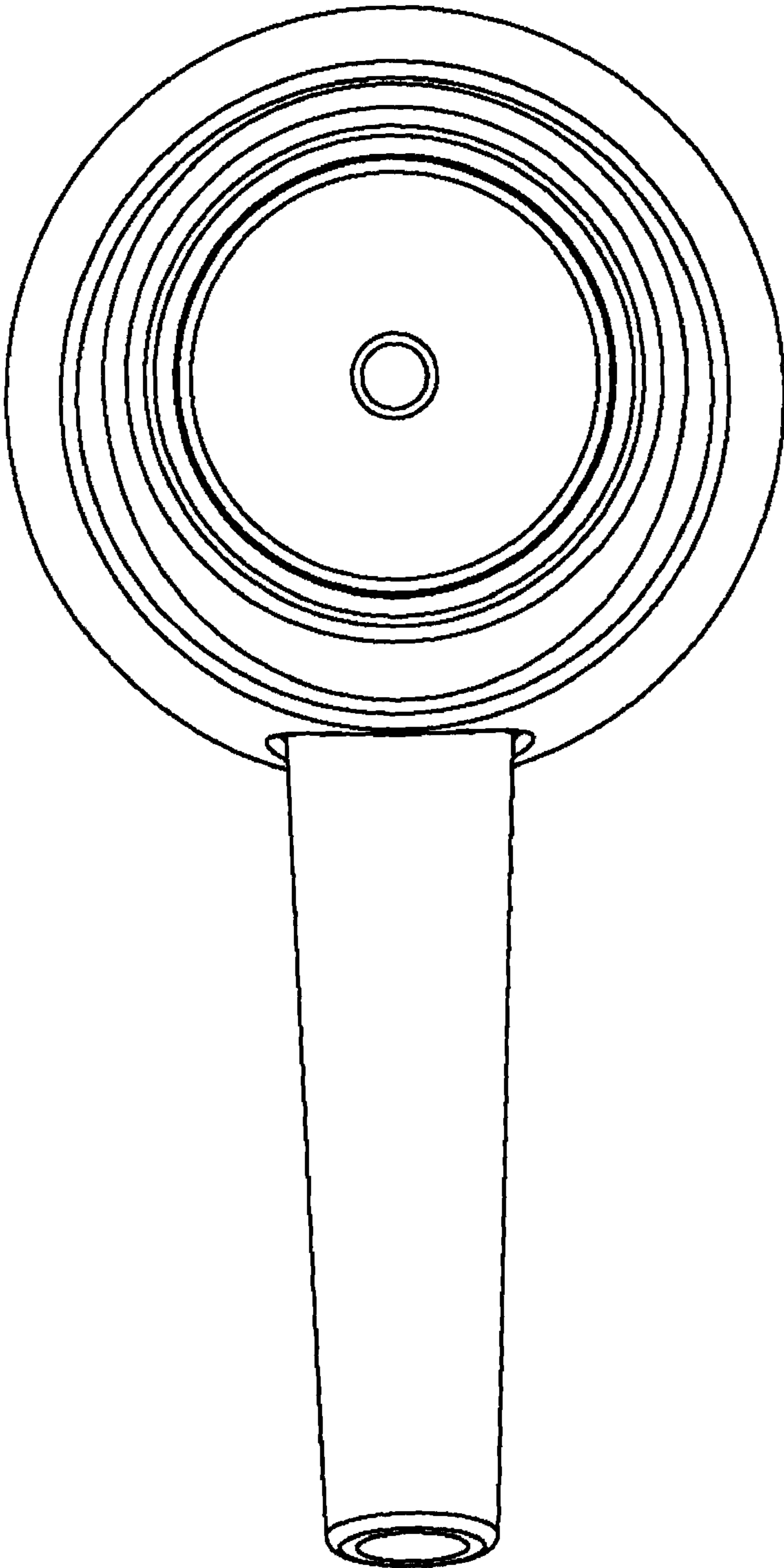


FIG. 3

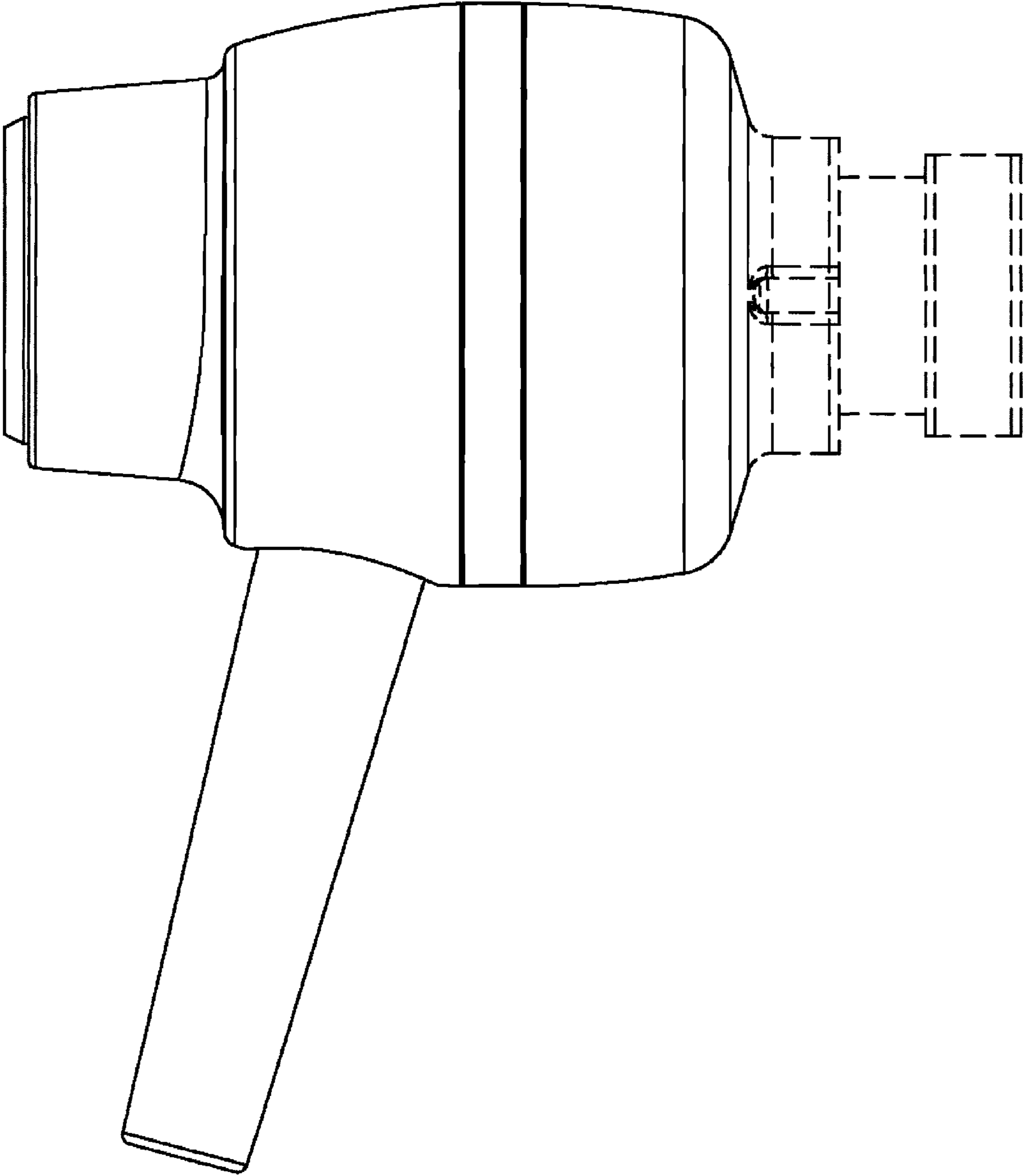


FIG. 4

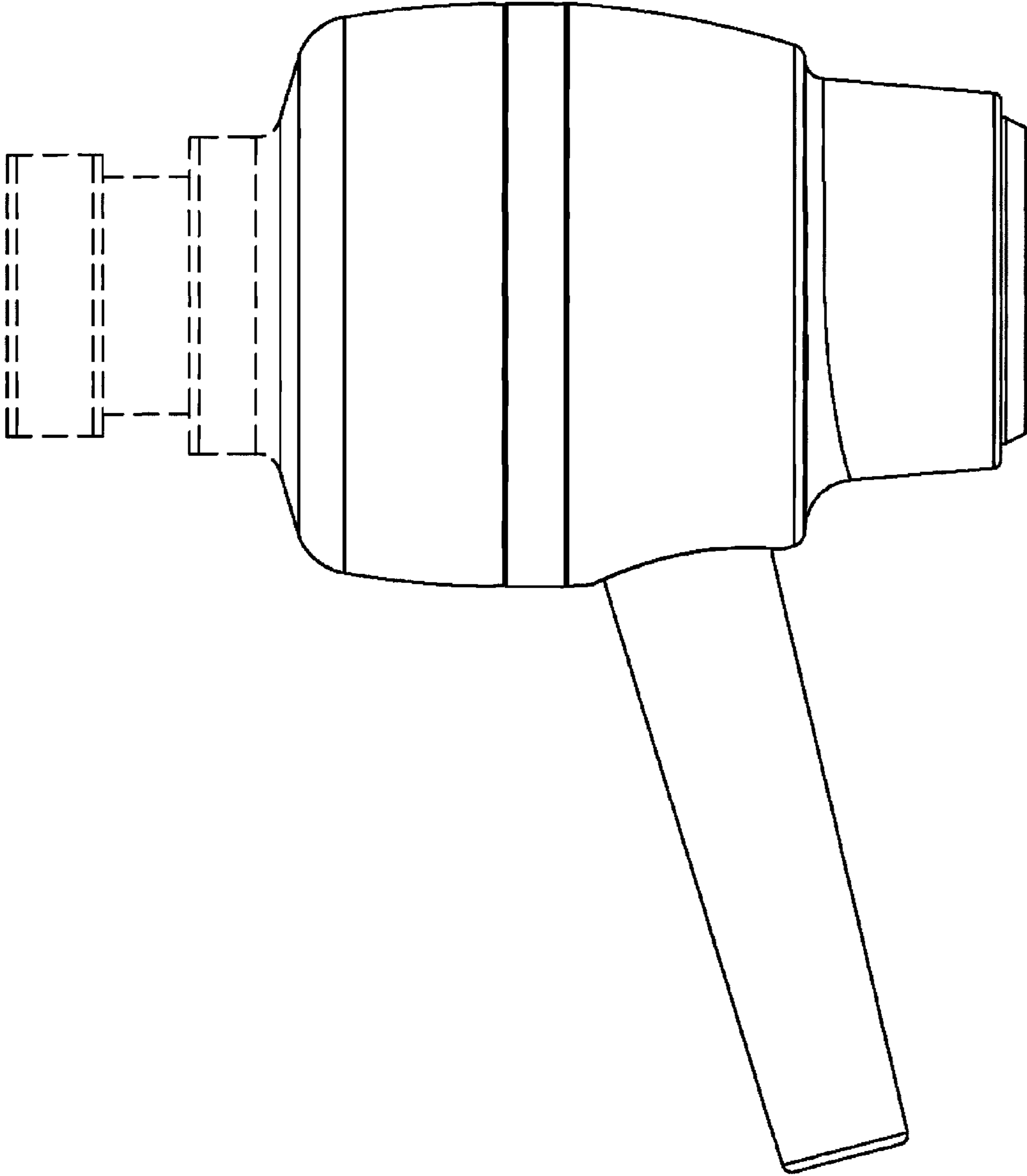


FIG. 5

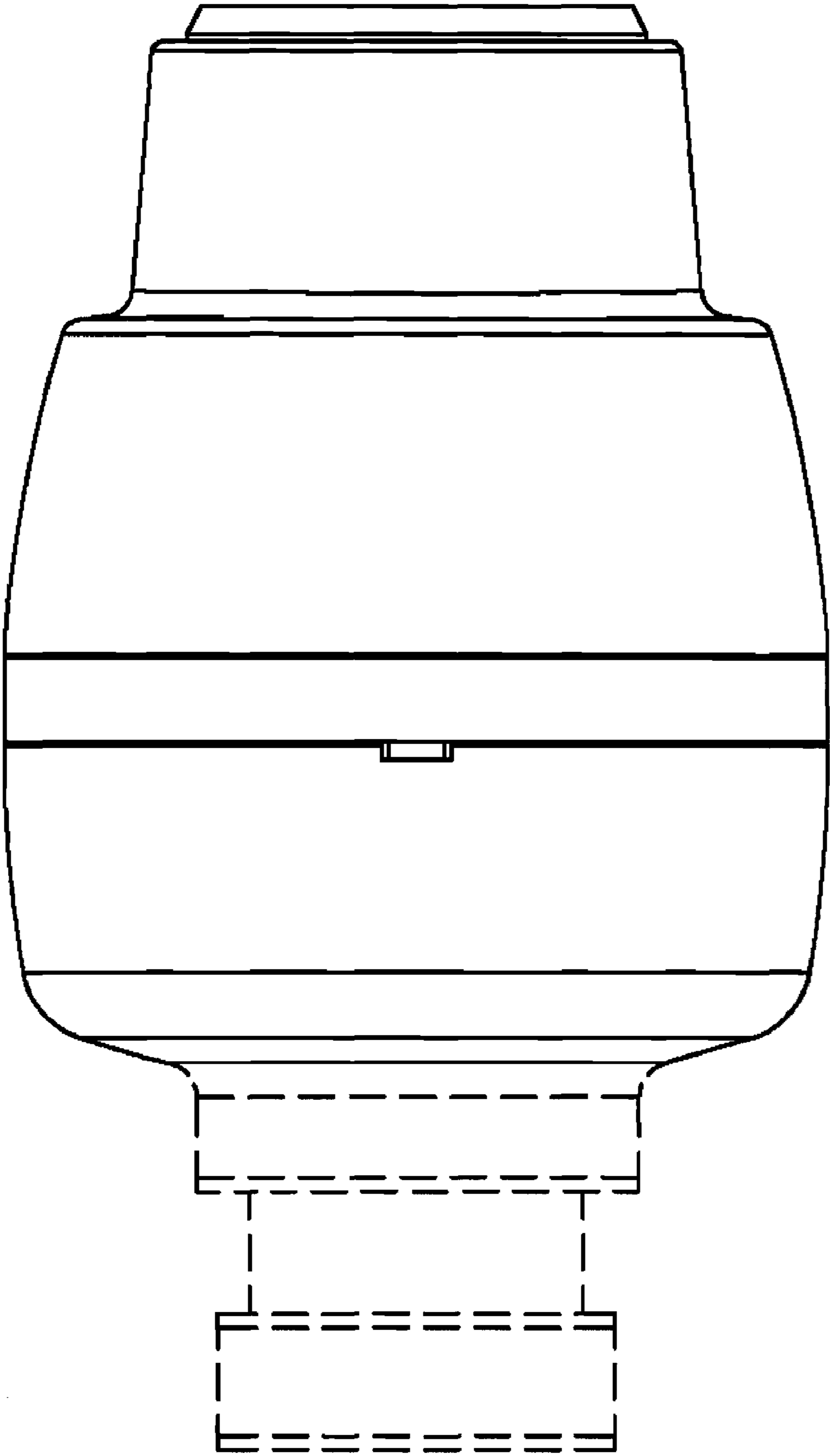


FIG. 6

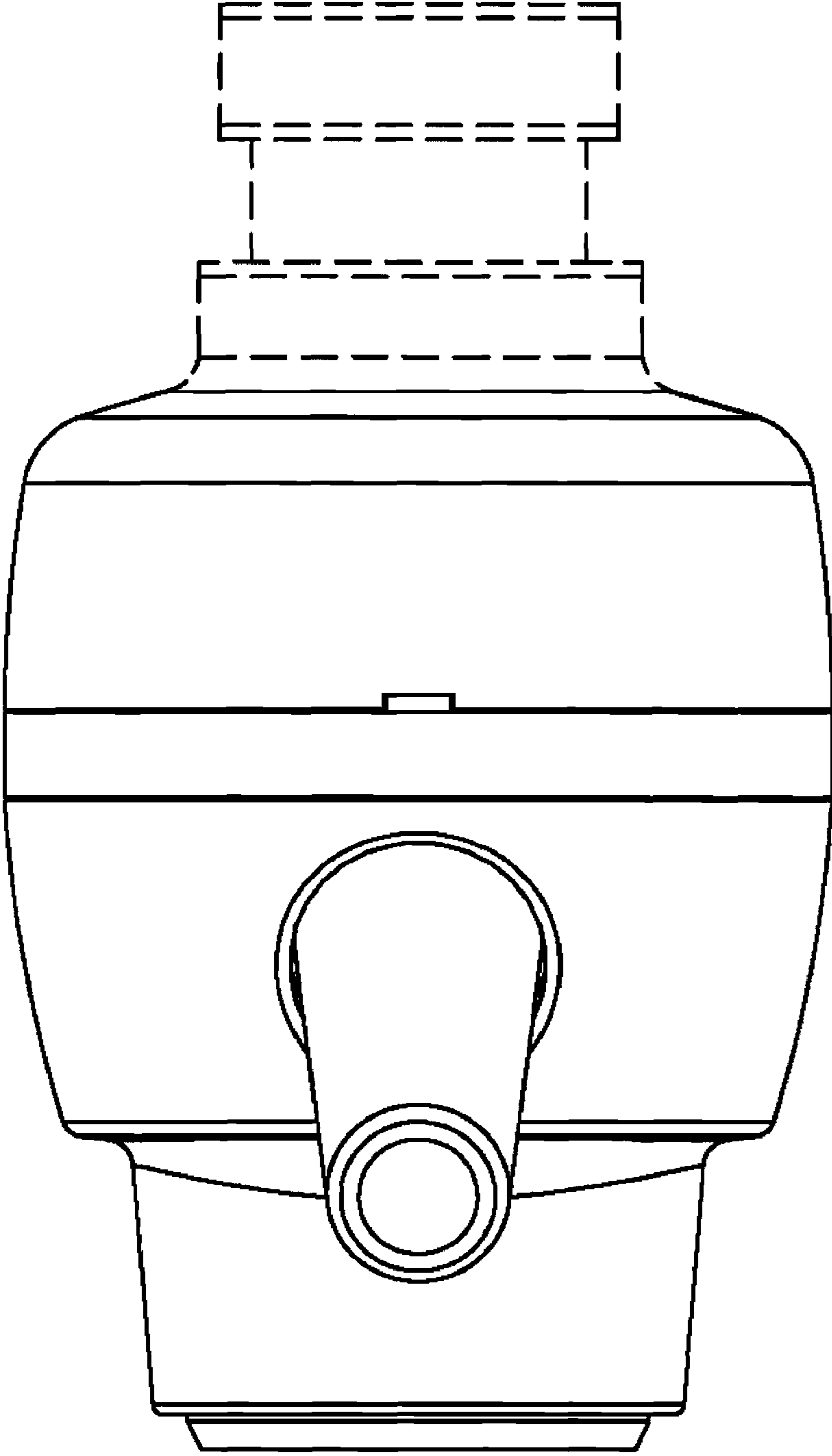


FIG. 7

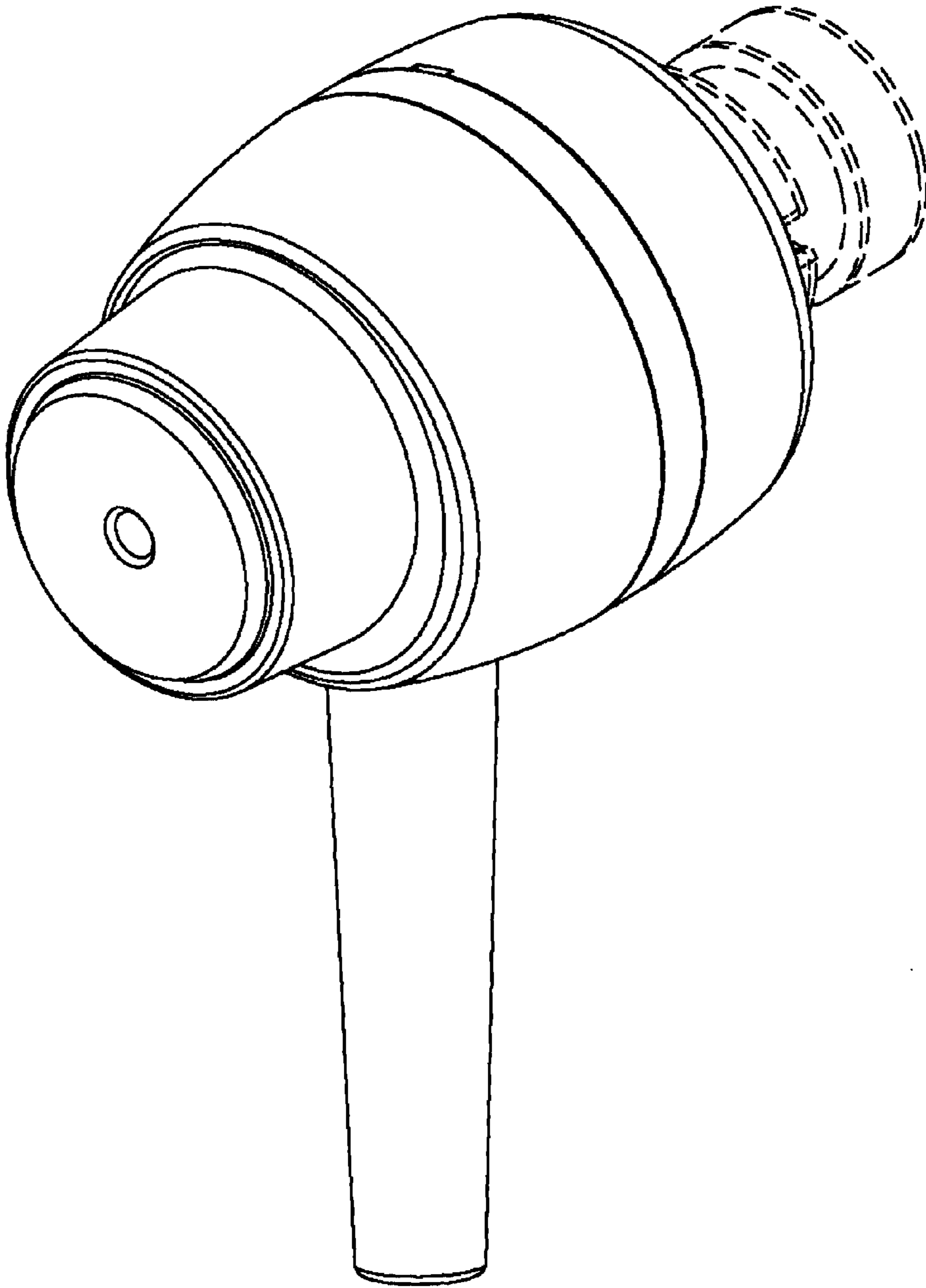


FIG. 8

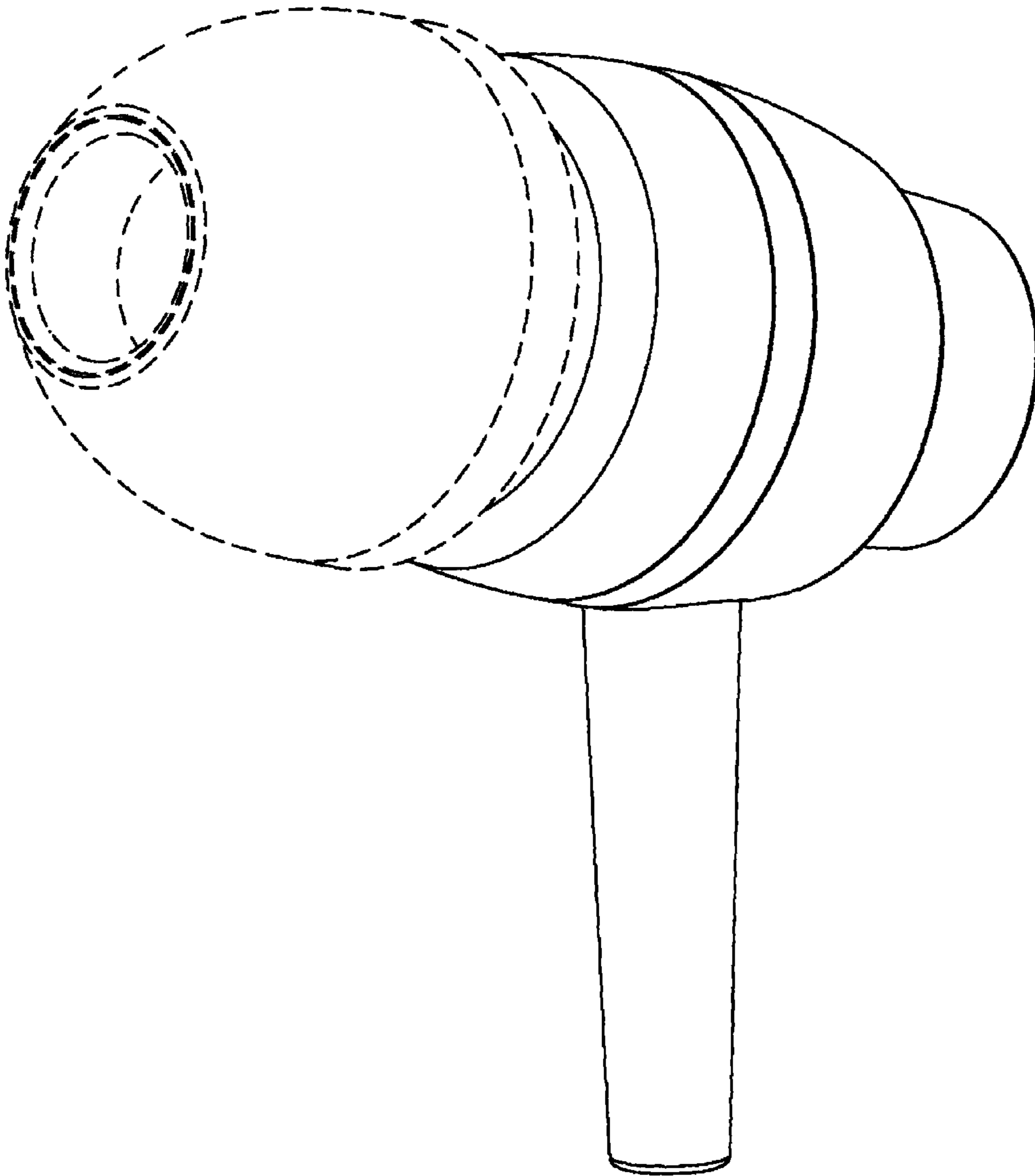


FIG. 9