



US00D627760S

(12) **United States Design Patent**
Garrett

(10) **Patent No.:** **US D627,760 S**

(45) **Date of Patent:** **** Nov. 23, 2010**

(54) **MEDIA DOCK SPEAKER SYSTEM**

Primary Examiner—Nanda Bondade

(74) *Attorney, Agent, or Firm*—Ostrolenk Faber LLP

(75) Inventor: **Jennifer Elizabeth Garrett**, Ardsley, PA
(US)

(57) **CLAIM**

(73) Assignee: **SDI Technologies, Inc.**, Rahway, NJ
(US)

The ornamental design for a media dock speaker system, as shown and described.

(**) Term: **14 Years**

(21) Appl. No.: **29/355,349**

(22) Filed: **Feb. 5, 2010**

DESCRIPTION

(51) **LOC (9) Cl.** **14-01**

FIG. 1 is a top, front, perspective view of a media dock speaker system showing my new design;

(52) **U.S. Cl.** **D14/209.1**

FIG. 2 is a front view thereof;

(58) **Field of Classification Search** D14/204,

FIG. 3 is a rear view thereof;

D14/207, 209.1, 210–214, 168, 171–172,

FIG. 4 is a top view thereof;

D14/188, 496, 498–510; 181/143–144, 147–148,

FIG. 5 is a bottom view thereof;

181/150–153, 157, 198–199; 381/300–303,

FIG. 6 is a side view thereof, the opposite side view being a mirror image;

381/306, 332–333, 336, 345, 361–364, 386–388

FIG. 7 is a cross-sectional view along line 7—7 in FIG. 4; and,

See application file for complete search history.

FIG. 8 is a cross-sectional view along line 8—8 in FIG. 4.

(56) **References Cited**

U.S. PATENT DOCUMENTS

The broken lines in the drawings illustrate environmental material that forms no part of the claimed design.

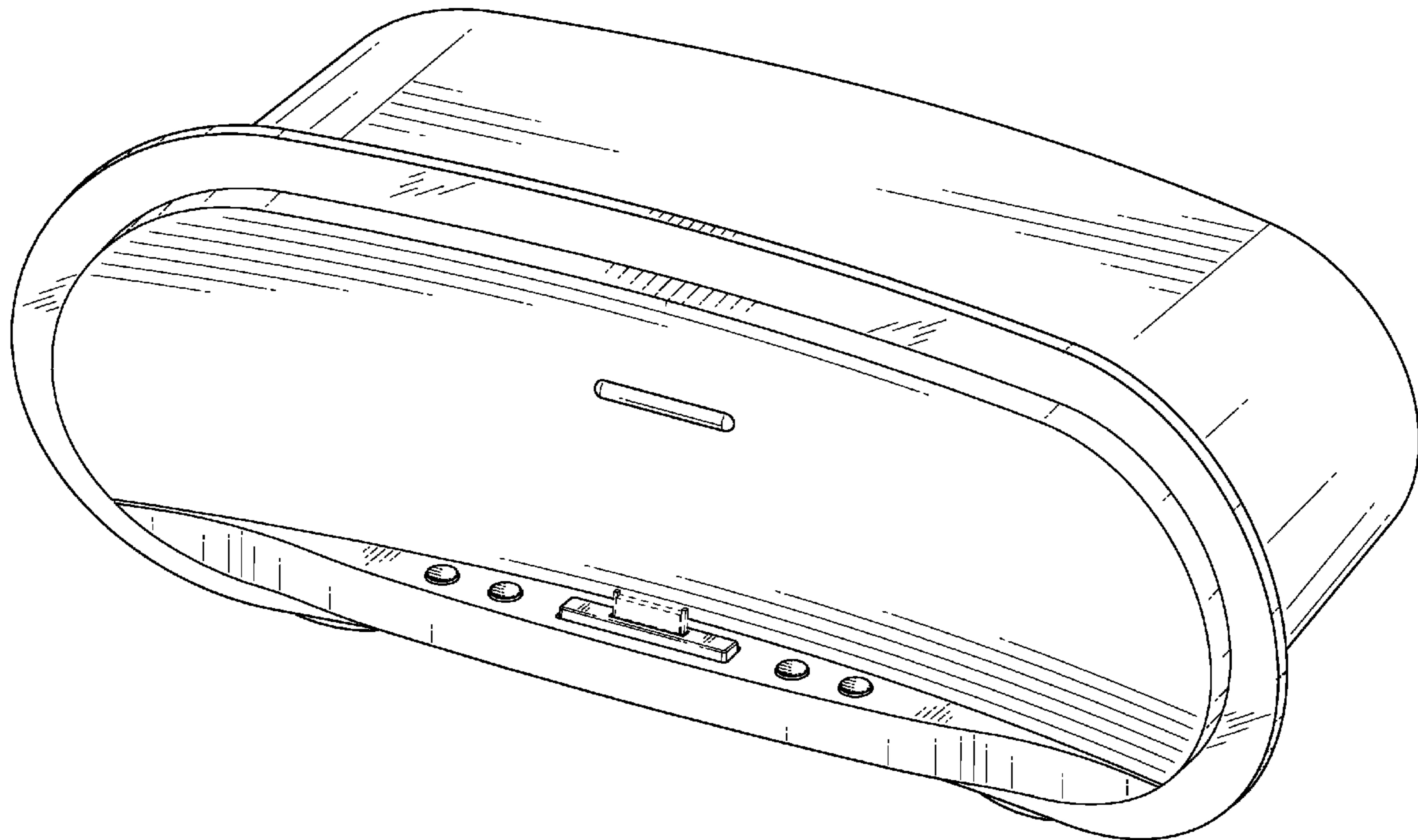
D554,104 S * 10/2007 Kurihara D14/214

D560,657 S * 1/2008 Langberg et al. D14/214

D586,327 S * 2/2009 Shimizu D14/188

* cited by examiner

1 Claim, 8 Drawing Sheets



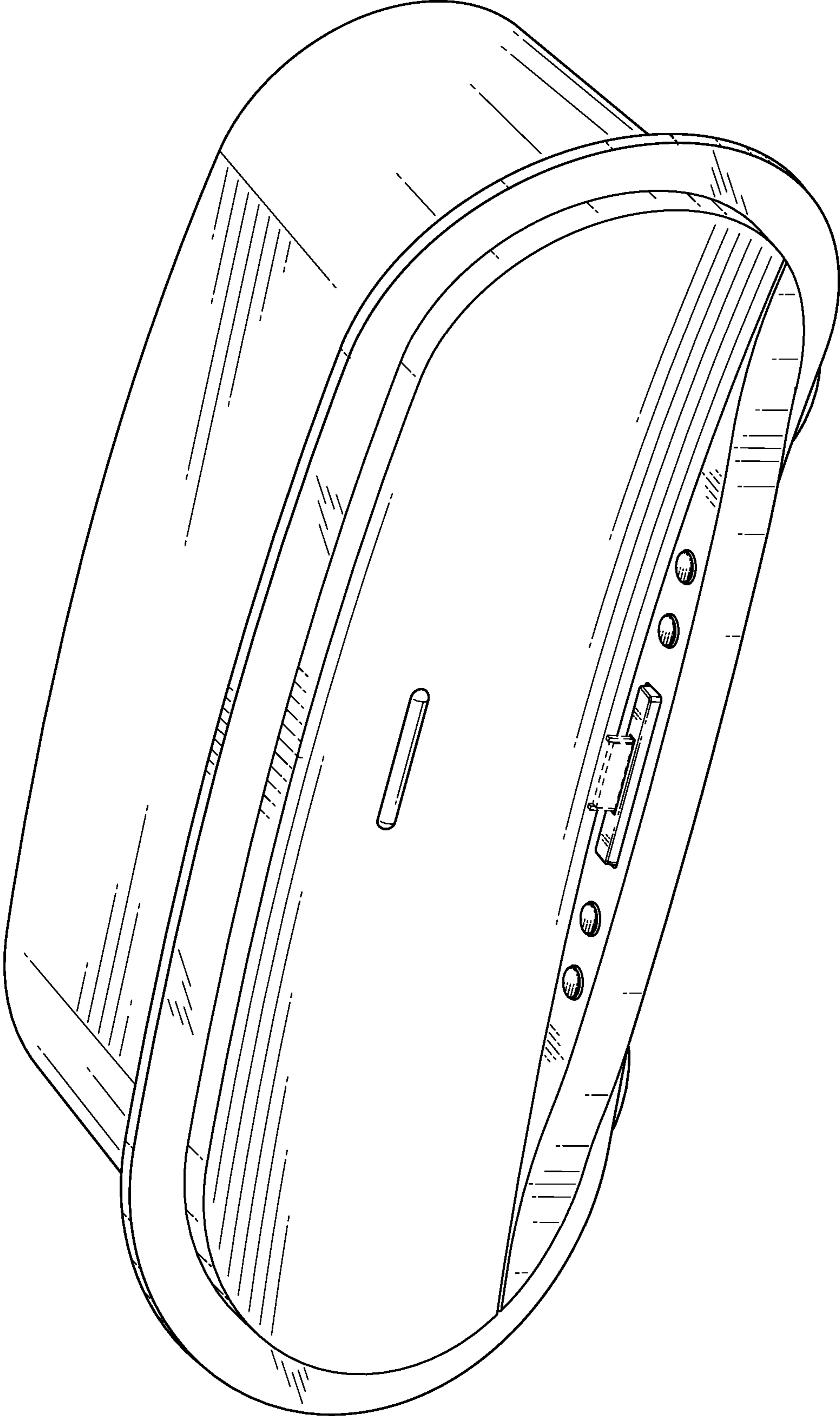


FIG. 1

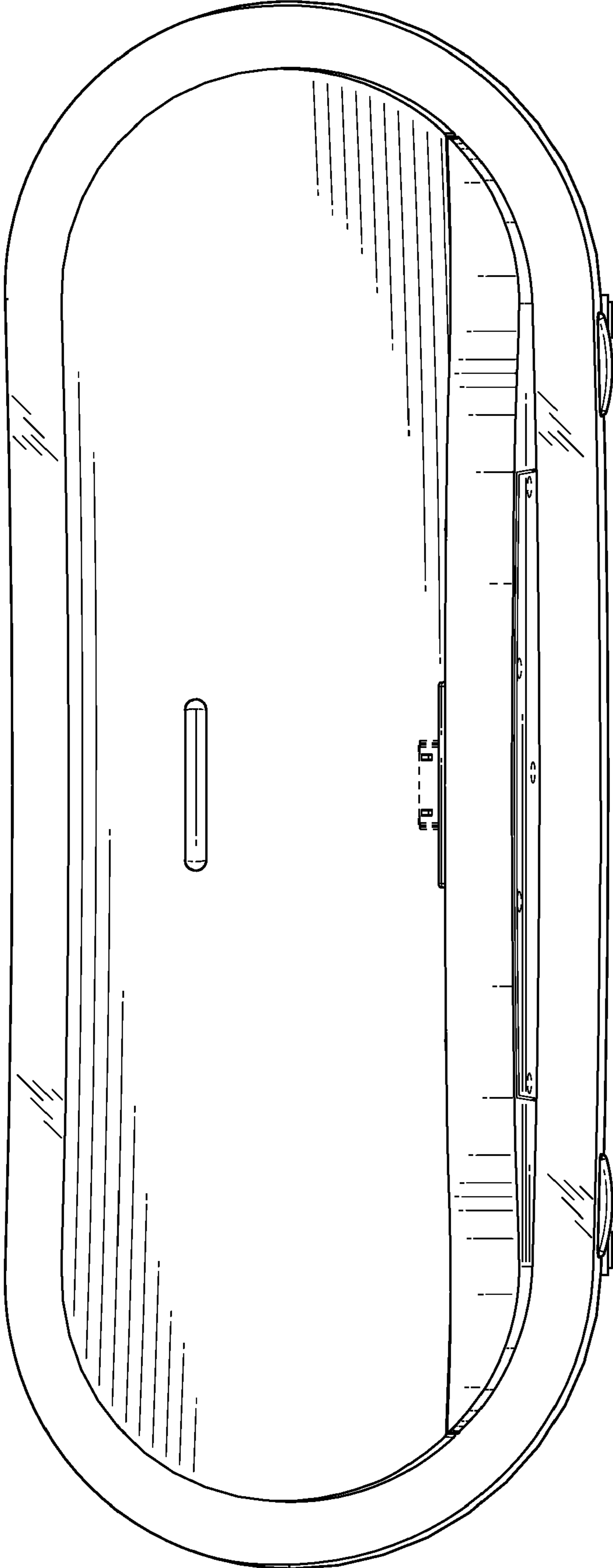


FIG. 2

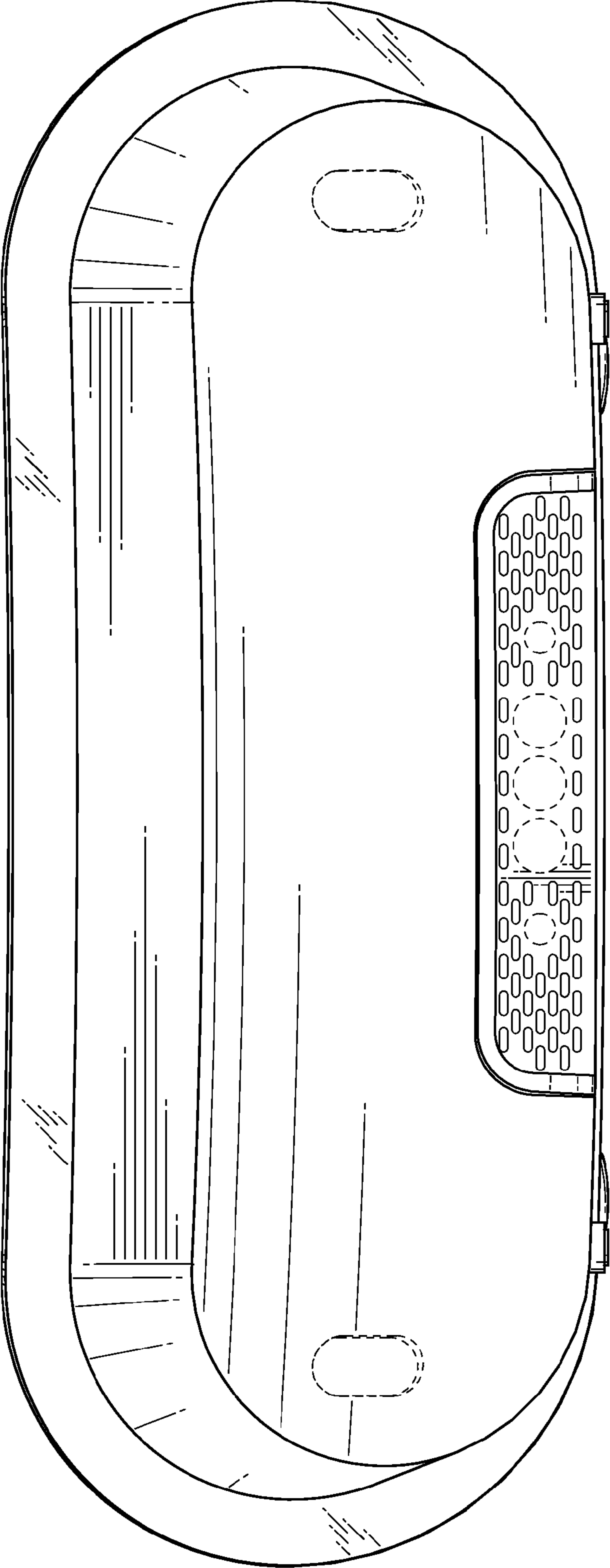


FIG. 3

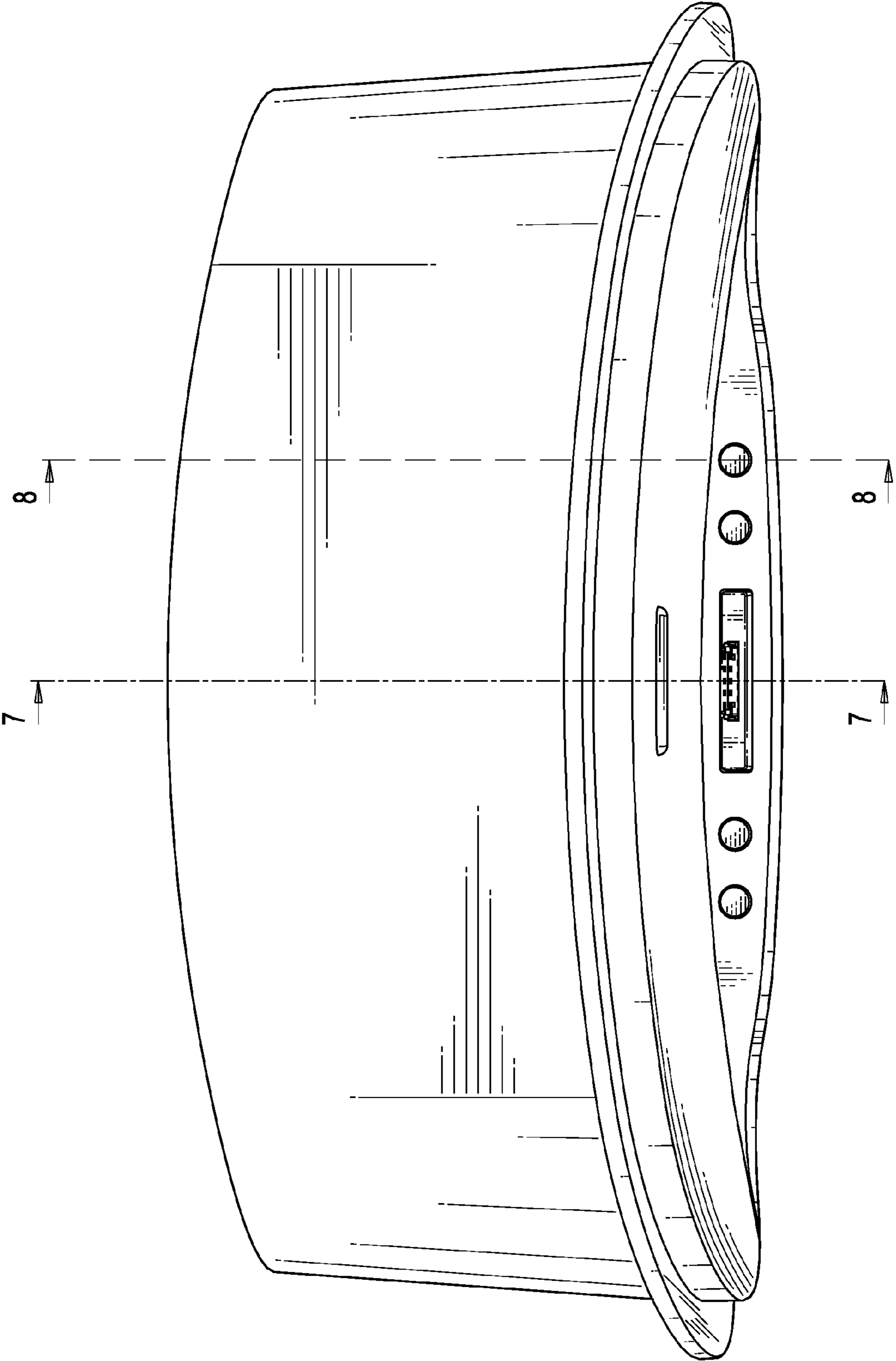


FIG. 4

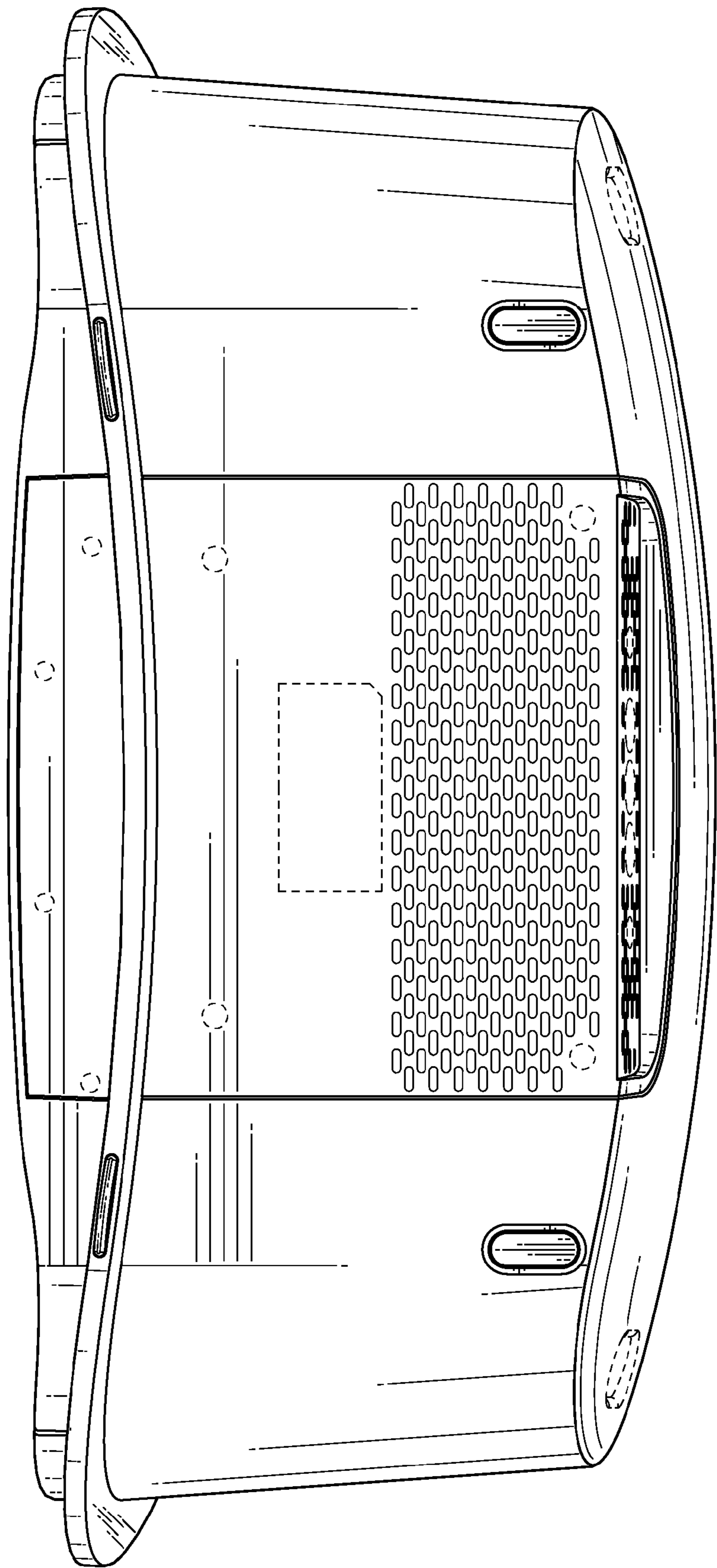


FIG. 5

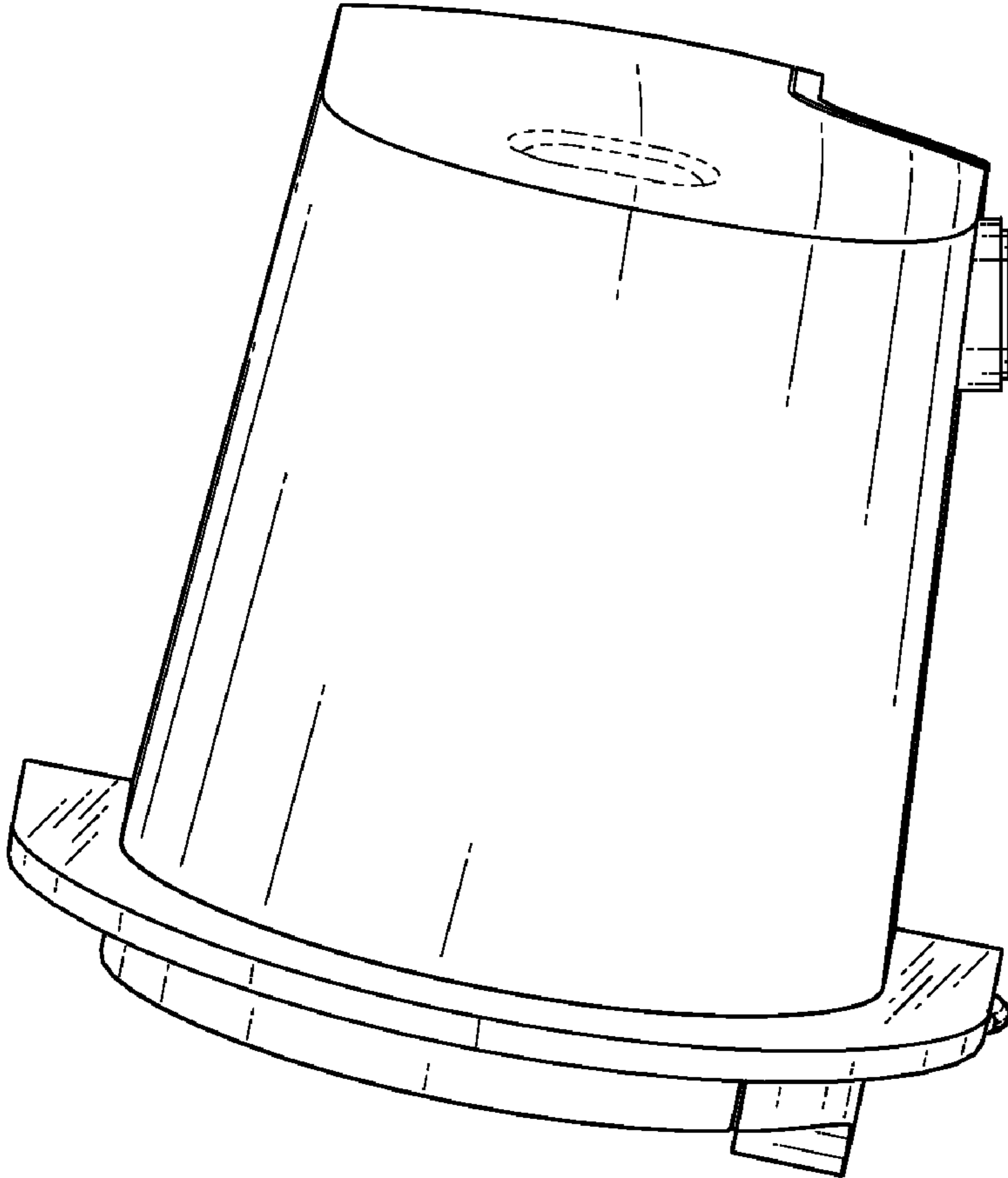


FIG. 6

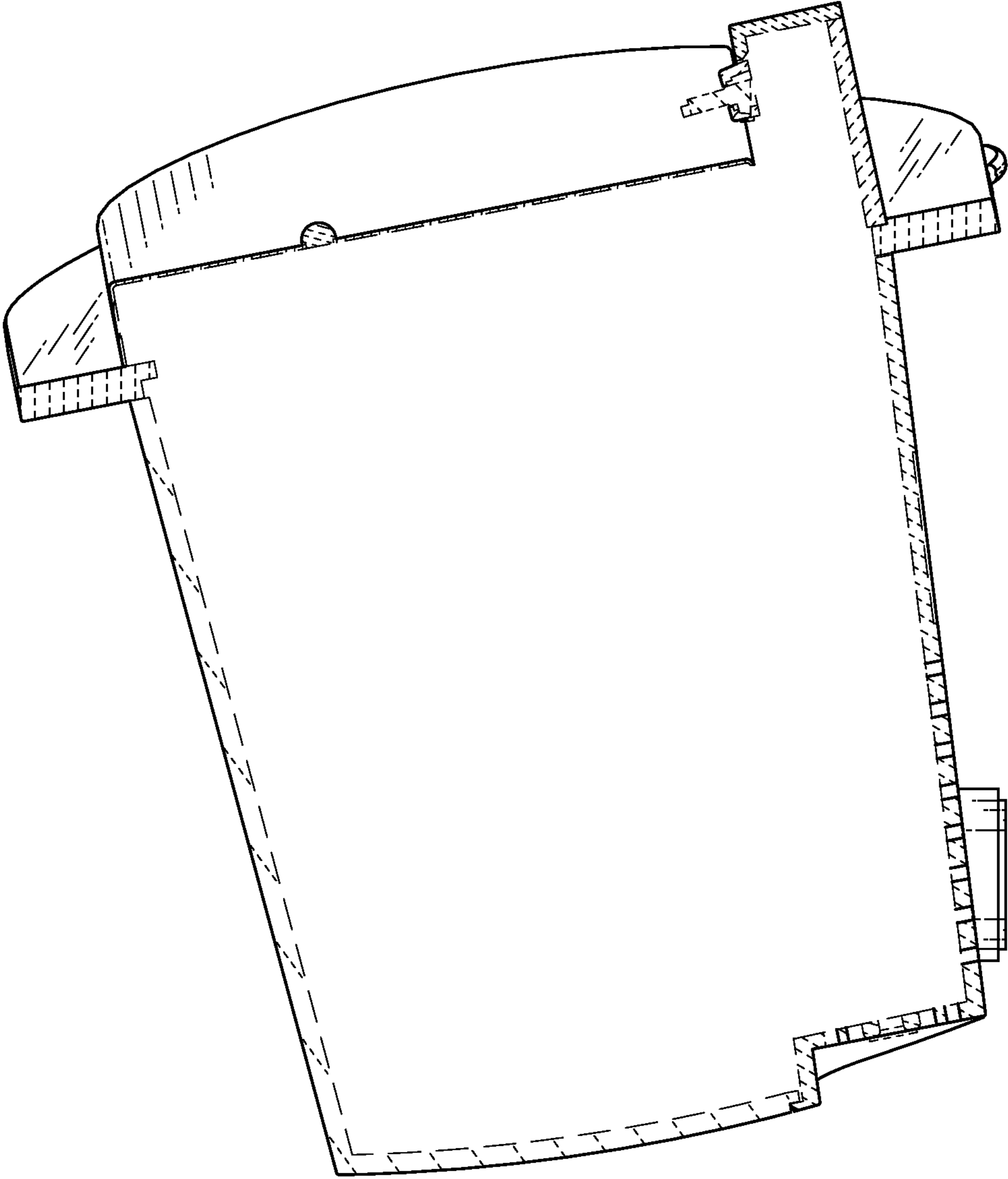


FIG. 7

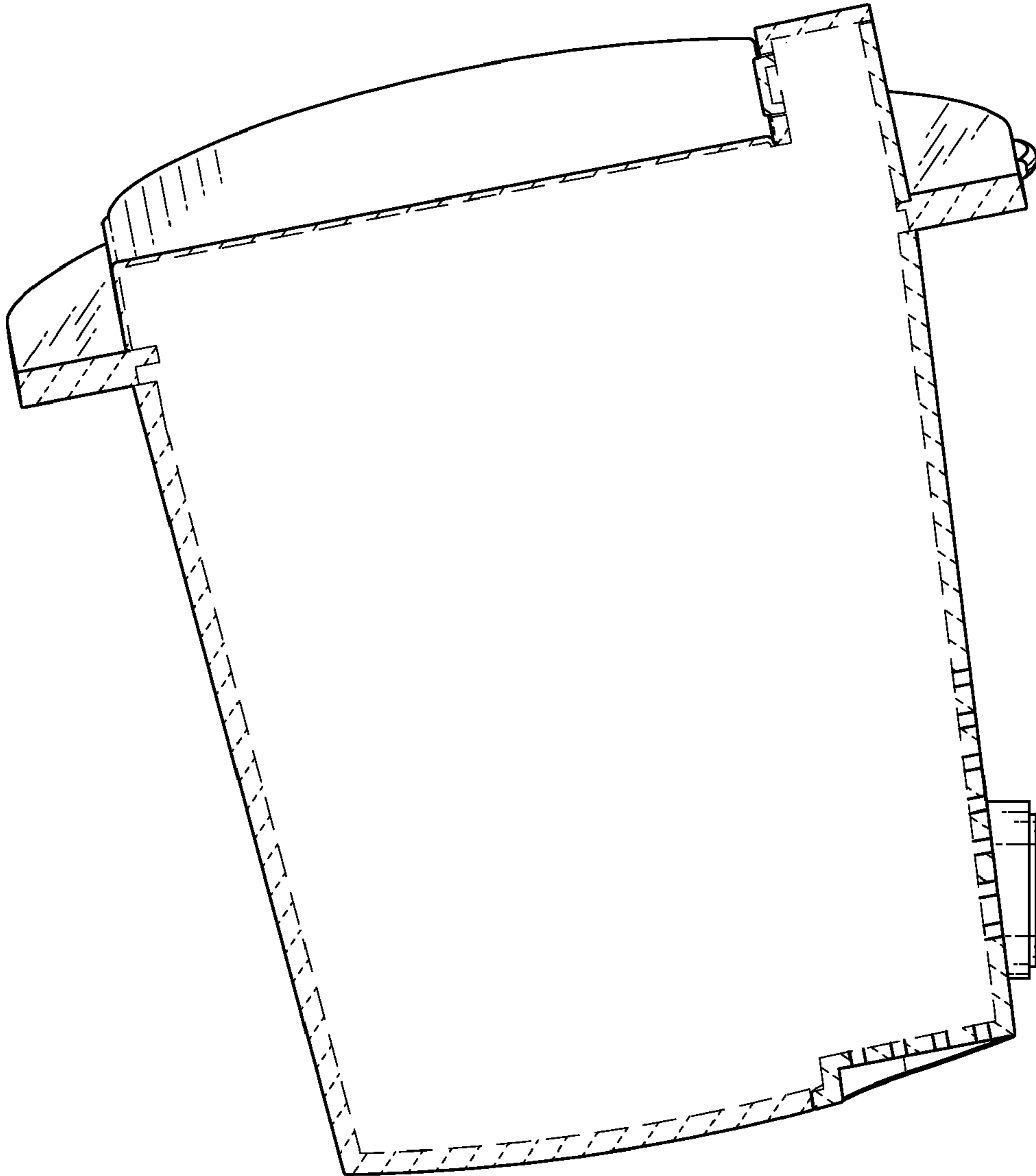


FIG. 8