



US00D627756S

(12) **United States Design Patent**  
**Nuovo et al.**

(10) **Patent No.:** **US D627,756 S**

(45) **Date of Patent:** **\*\* Nov. 23, 2010**

(54) **HANDSET**

(75) Inventors: **Frank Nuovo**, Los Angeles, CA (US);  
**Eduardo Salazar**, Reseda, CA (US)

(73) Assignee: **Nokia Corporation**, Espoo (FI)

(\*\*) Term: **14 Years**

(21) Appl. No.: **29/360,086**

(22) Filed: **Apr. 20, 2010**

(51) **LOC (9) Cl.** ..... **14-03**

(52) **U.S. Cl.** ..... **D14/138 AA**

(58) **Field of Classification Search** ..... D14/138 AA,  
D14/496, 341, 345, 346, 203.3, 203.4, 203.7,  
D14/138 AD, 138 AB, 138 R, 147; 455/575.1,  
455/556.2; D21/517; 379/433.01, 433.04  
See application file for complete search history.

(56) **References Cited**

**U.S. PATENT DOCUMENTS**

- D529,909 S \* 10/2006 Daw et al. .... D14/346
- D548,218 S \* 8/2007 Hong et al. .... D14/138 AA
- D550,641 S \* 9/2007 Wang ..... D14/138 AA
- D554,612 S \* 11/2007 Wang ..... D14/138 AA
- D563,378 S \* 3/2008 Tseng et al. .... D14/138 AA
- D563,415 S \* 3/2008 Griffin et al. .... D14/439
- D564,482 S \* 3/2008 Rihu et al. .... D14/138 AA
- D566,086 S \* 4/2008 Hong et al. .... D14/138 AA
- D576,139 S \* 9/2008 Rihu et al. .... D14/138 AA
- D583,350 S \* 12/2008 Park et al. .... D14/138 AA
- D585,889 S \* 2/2009 Rak et al. .... D14/346
- D599,316 S \* 9/2009 Hong et al. .... D14/138 AA
- D600,229 S \* 9/2009 Kangasmaa ..... D14/138 AA
- D600,231 S \* 9/2009 Lee et al. .... D14/138 AA
- D601,529 S \* 10/2009 Rouger ..... D14/138 AA
- D601,540 S \* 10/2009 Kim et al. .... D14/138 AA
- D603,404 S \* 11/2009 Rak et al. .... D14/346
- D605,711 S \* 12/2009 Ben-Moshe ..... D21/517
- D606,540 S \* 12/2009 Liao et al. .... D14/346
- D606,994 S \* 12/2009 Griffin et al. .... D14/346
- D607,868 S \* 1/2010 Kim et al. .... D14/138 AA
- D608,328 S \* 1/2010 Nilsen et al. .... D14/138 AA
- D608,329 S \* 1/2010 Kim et al. .... D14/138 AA

- D612,376 S \* 3/2010 Cebe ..... D14/346
- D614,159 S \* 4/2010 Lee et al. .... D14/138 AA
- D614,612 S \* 4/2010 Salazar et al. .... D14/248
- D615,058 S \* 5/2010 Lee et al. .... D14/138 AA
- D615,061 S \* 5/2010 Choi et al. .... D14/138 AA
- D618,656 S \* 6/2010 Hunt ..... D14/138 AA
- D620,468 S \* 7/2010 Kim et al. .... D14/138 AA
- 2007/0057821 A1 \* 3/2007 Griffin ..... 341/22
- 2008/0132275 A1 \* 6/2008 Eastwood ..... 455/556.1

**OTHER PUBLICATIONS**

Nokia E72 telephone, announced Jun. 2009, [online], [site visited Aug. 17, 2010]. Available from Internet, <URL: <http://www.gsmarena.com>>.\*

(Continued)

*Primary Examiner*—Jeffrey D Asch  
(74) *Attorney, Agent, or Firm*—Banner & Witcoff, Ltd.

(57) **CLAIM**

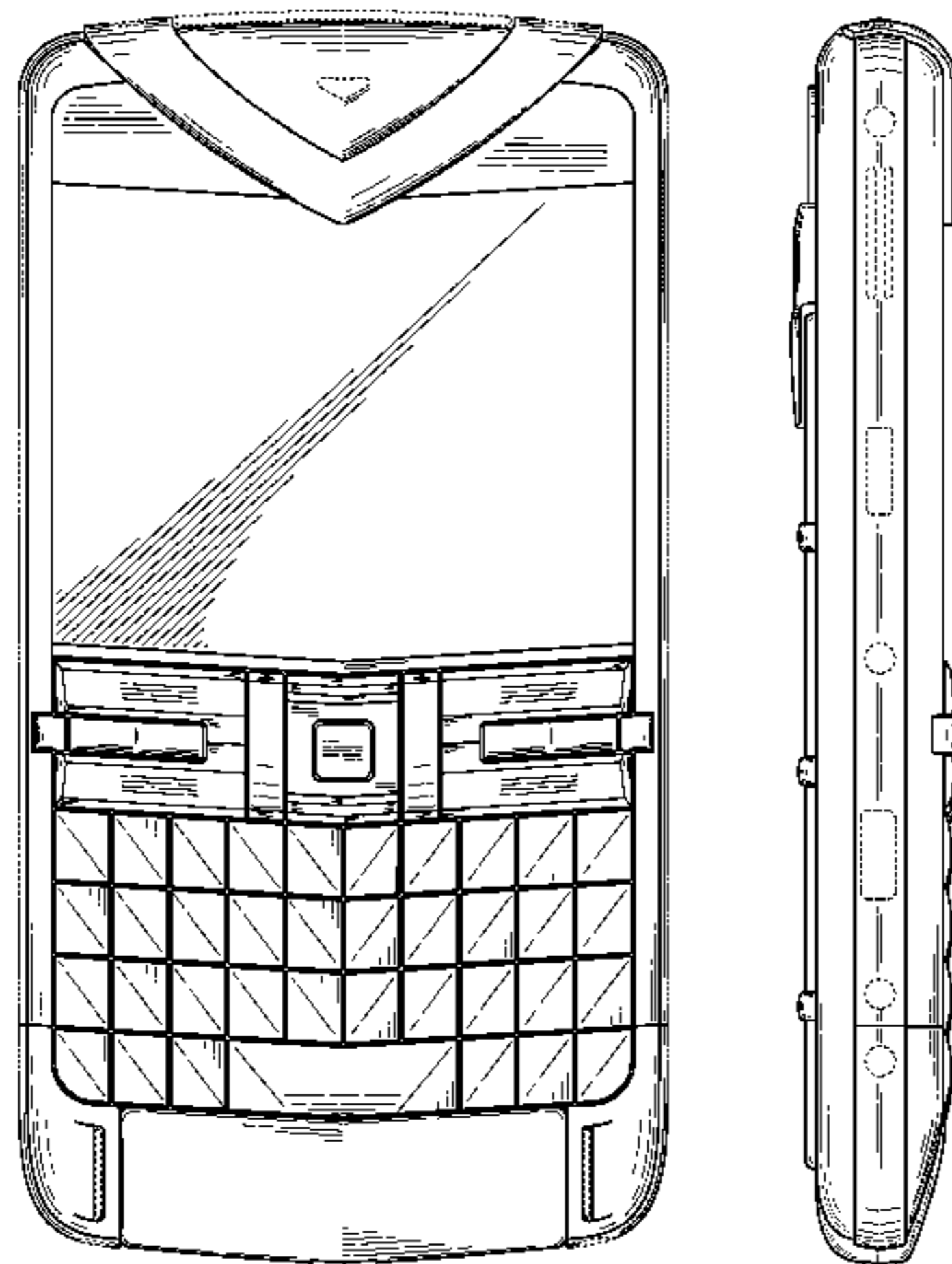
The ornamental design for a handset, as shown and described.

**DESCRIPTION**

FIG. 1 is a perspective front view of a handset showing our new design;  
 FIG. 2 is a perspective rear view thereof;  
 FIG. 3 is a front view thereof;  
 FIG. 4 is rear view thereof;  
 FIG. 5 is a left side view thereof;  
 FIG. 6 is a right side view thereof;  
 FIG. 7 is a top view thereof; and,  
 FIG. 8 is a bottom view thereof.

The broken line showing of the environment of the handset in FIGS. 1-8 is for illustrative purposes only and forms no part of the claimed design. The unshaded regions within the bounds of the broken lines form not part of the claimed design.

**1 Claim, 6 Drawing Sheets**



OTHER PUBLICATIONS

Nokia E71 telephone, announced Jun. 2008, [online], [site visited Aug. 17, 2010]. Available from Internet, <URL: <http://www.gsmarena.com>>.\*

Nokia C3 telephone, announced Apr. 2010, [online], [site visited Aug. 17, 2010]. Available from Internet, <URL: <http://www.gsmarena.com>>.\*

Nokia E73 Mode telephone, announced Jun. 2010, [online], [site visited Aug. 17, 2010]. Available from Internet, <URL: <http://www.gsmarena.com>>.\*

Samsung B6520 Omnia PRO 5 telephone, announced Jun. 2010, [online], [site visited Aug. 17, 2010]. Available from Internet, <URL: <http://www.gsmarena.com>>.\*

LG GW550 telephone, announced Jun. 2009, [online], [site visited Aug. 17, 2010]. Available from Internet, <URL: <http://www.gsmarena.com>>.\*

Huawei U9150 telephone, announced Feb. 2009, [online], [site visited Aug. 17, 2010]. Available from Internet, <URL: <http://www.gsmarena.com>>.\*

i-mate JAQ3 telephone, announced Nov. 2006, [online], [site visited Aug. 17, 2010]. Available from Internet, <URL: <http://www.gsmarena.com>>.\*

Blackberry 8700c telephone, announced 4<sup>th</sup> quarter 2004, [online], [site visited Aug. 17, 2010]. Available from Internet, <URL: <http://www.gsmarena.com>>.\*

Nokia 5100, Nokia Corporation, 1 color sheet of photographs, disclosed on or about Aug. 2008.

Nokia 5140, Nokia Corporation, 1 color sheet of photographs, disclosed on or about Aug. 2008.

Nokia E61, Nokia Corporation, 1 color sheet of photographs, disclosed on or about Aug. 2008.

Nokia E63, Nokia Corporation, 1 color sheet of photographs, disclosed on or about Aug. 2008.

Nokia E71, Nokia Corporation, 1 color sheet of photographs, disclosed on or about Aug. 2008.

Nokia Vertu Ascent Ti, Nokia Corporation, 1 color sheet of photographs, disclosed on or about Aug. 2008.

Nokia Vertu Constellation, Nokia Corporation, 1 color sheet of photographs, disclosed on or about Aug. 2008.

Nokia Vertu Signature, Nokia Corporation, 1 color sheet of photographs, disclosed on or about Aug. 2008.

\* cited by examiner

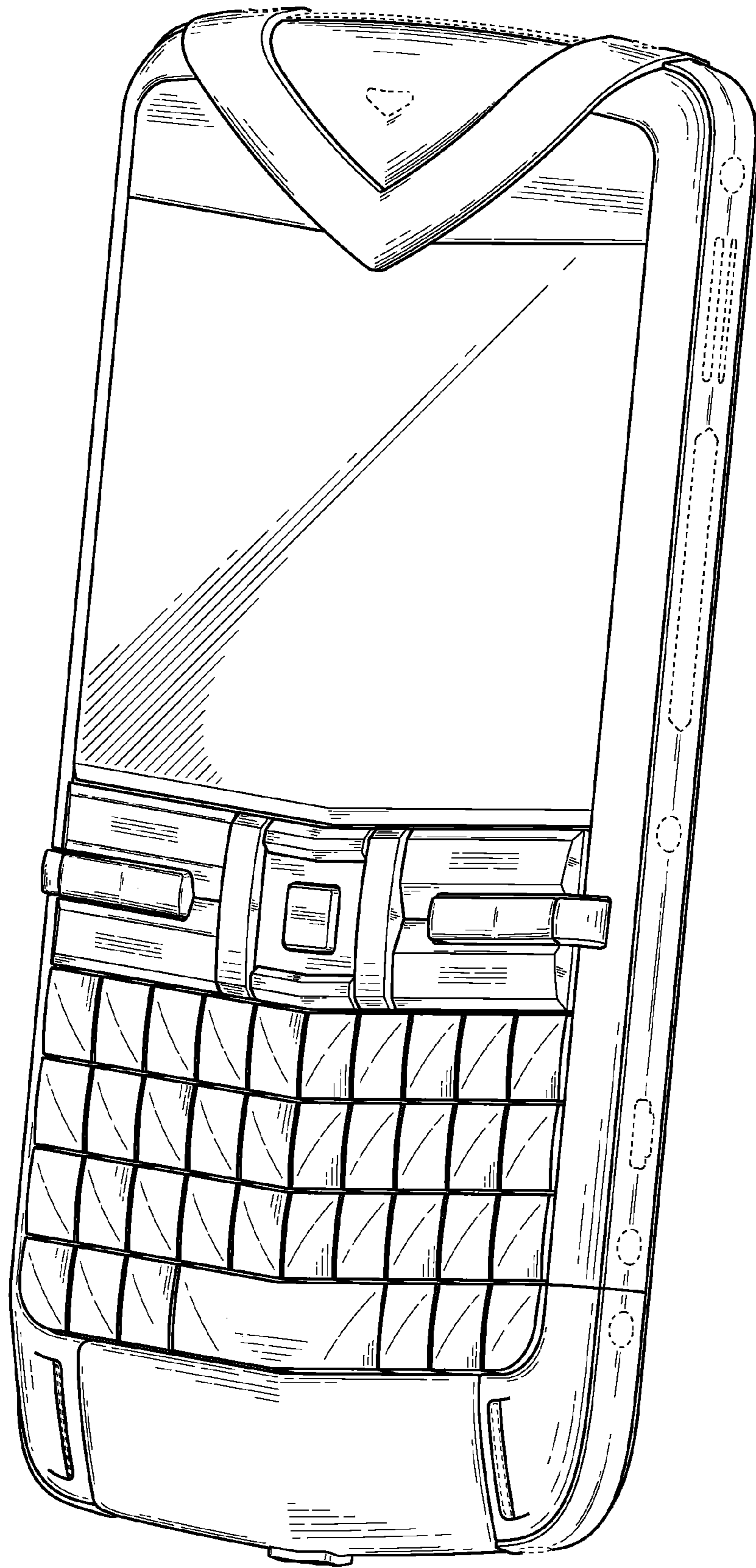


FIG.1



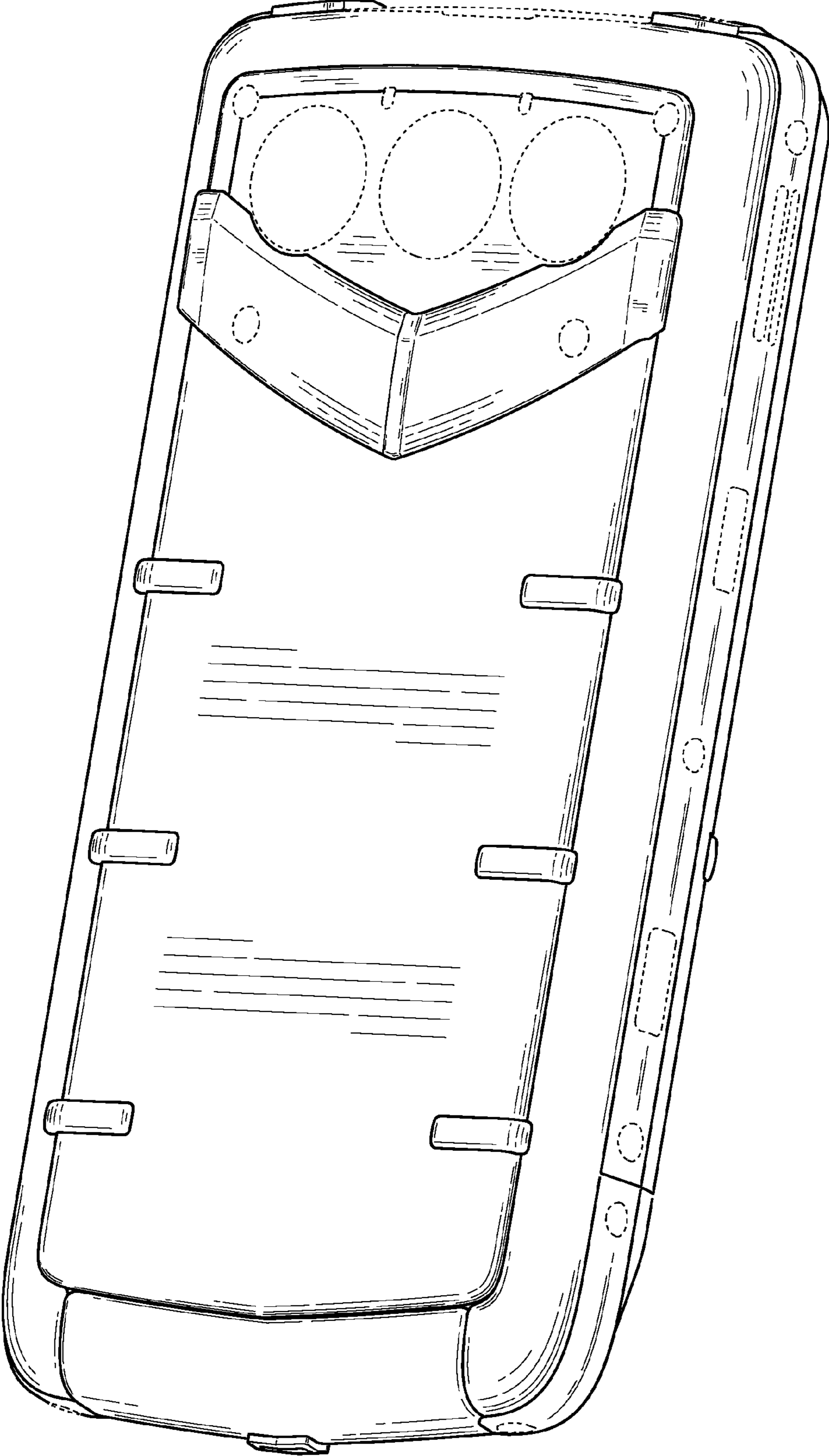


FIG. 2

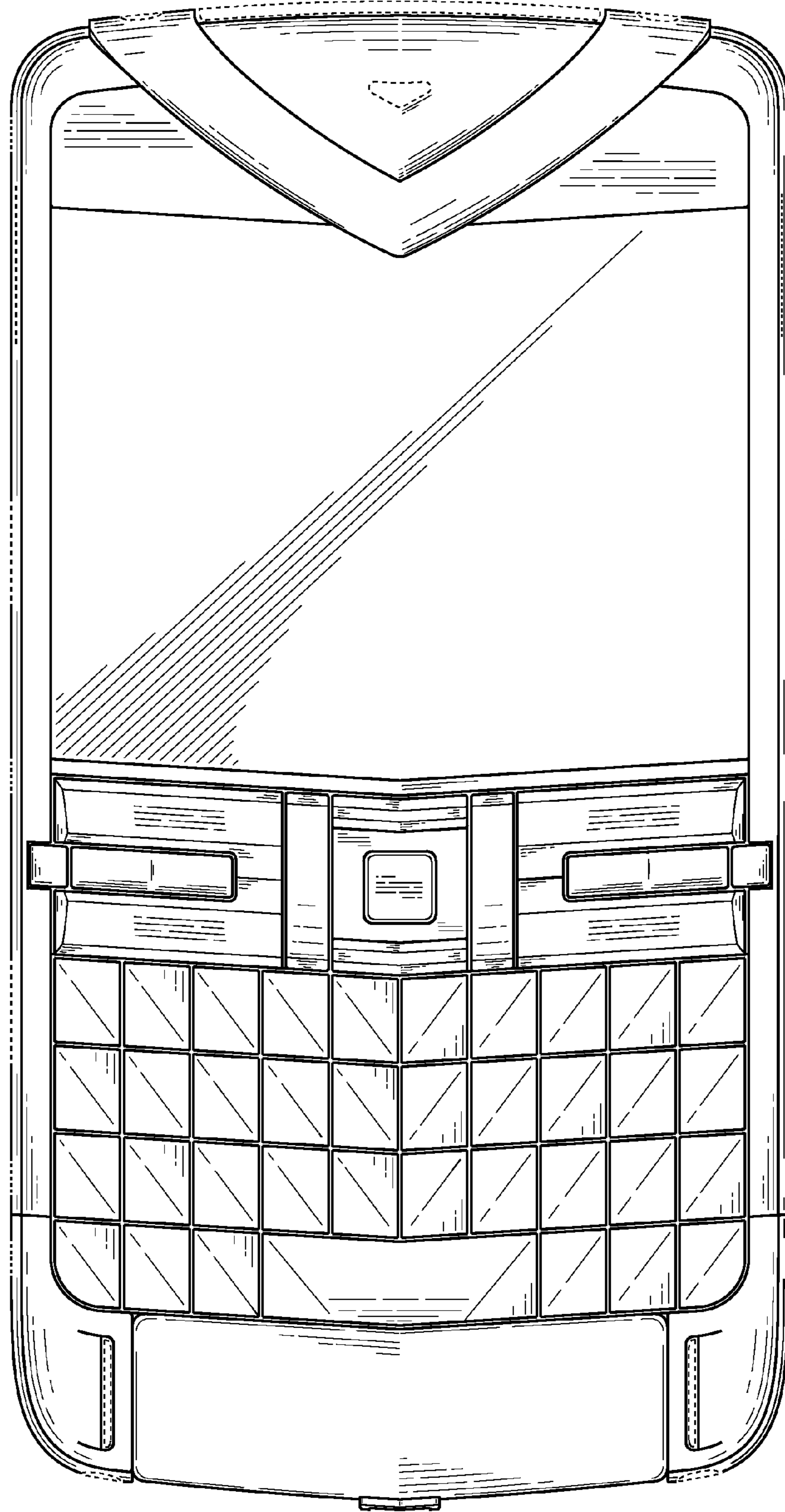


FIG. 3

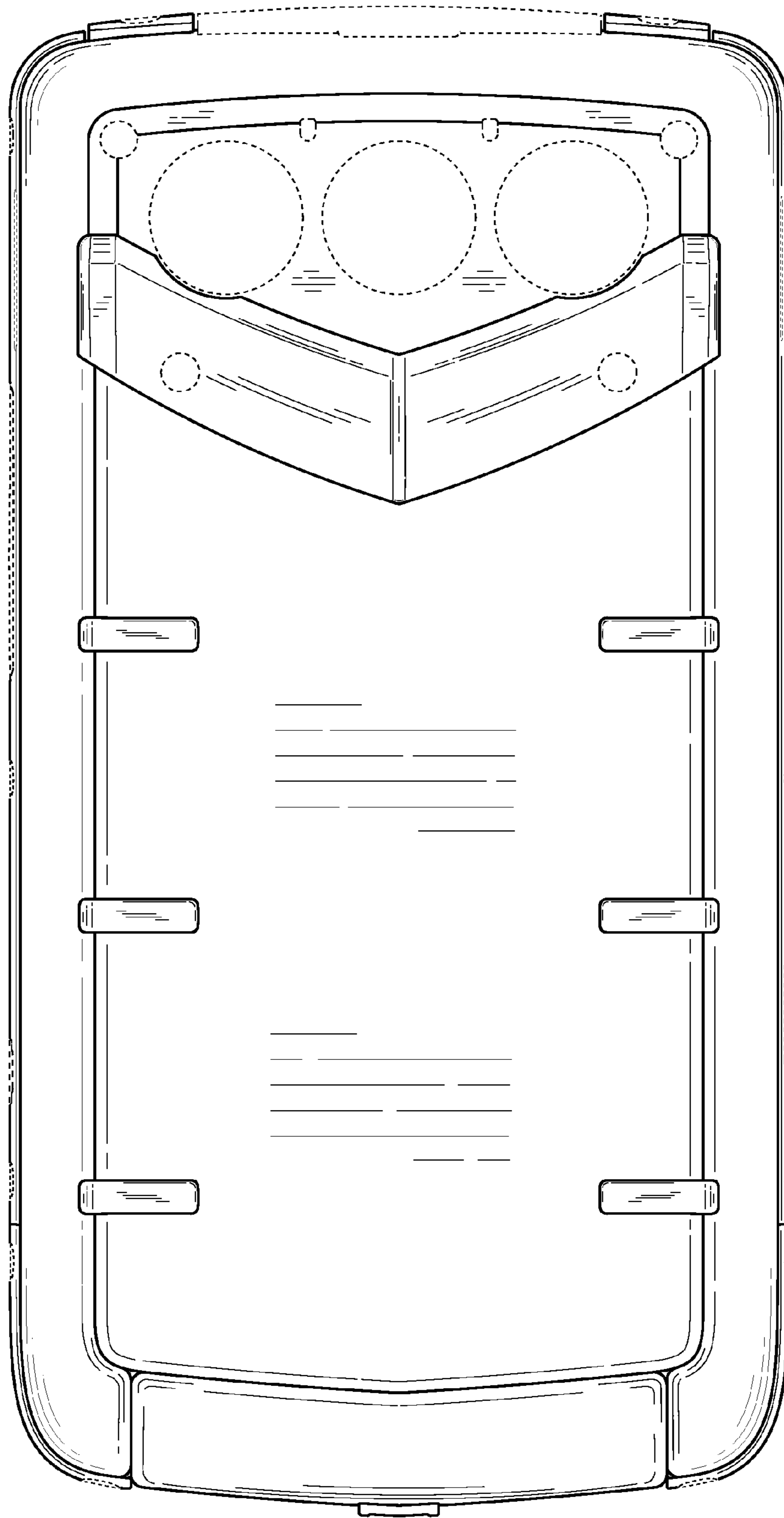


FIG. 4

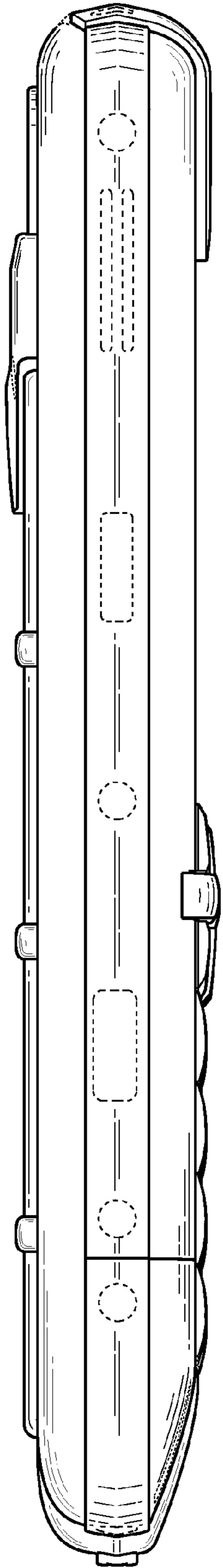


FIG. 5

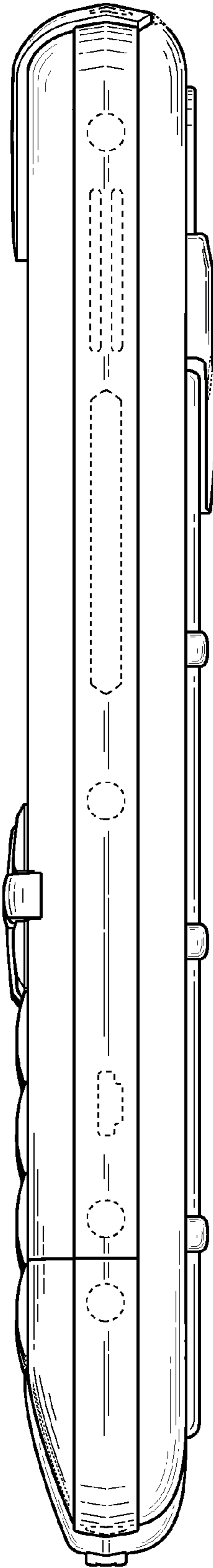


FIG. 6

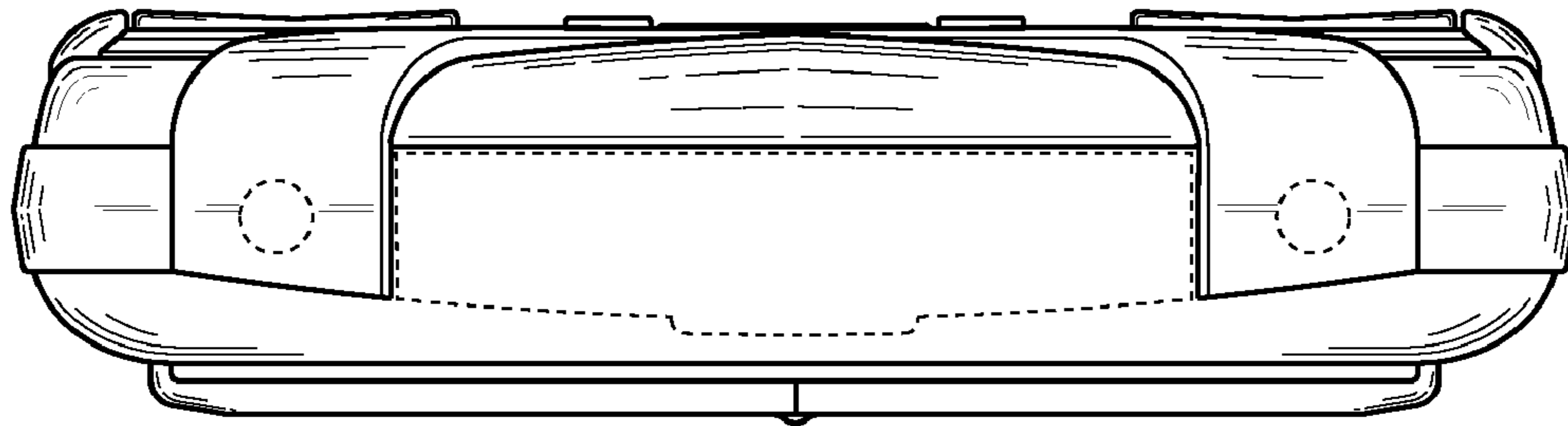


FIG. 7

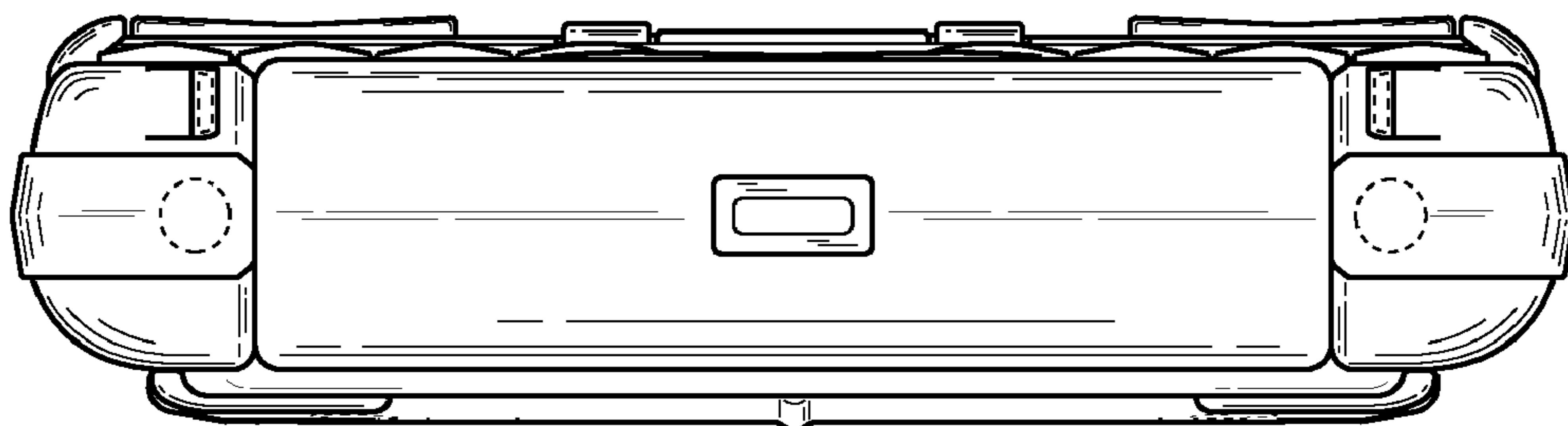


FIG. 8