



US00D627747S

(12) **United States Design Patent**  
**Chu et al.**

(10) **Patent No.:** **US D627,747 S**  
(45) **Date of Patent:** **\*\* Nov. 23, 2010**

(54) **LIGHT EMITTING DIODE DEVICE**

(75) Inventors: **Chen-Fu Chu**, Miao-Li County (TW);  
**Wen-Huang Liu**, Miao-Li County  
(TW); **Chao-Chen Cheng**, Miao-Li  
County (TW)

(73) Assignee: **Semi LEDs Optoelectronics Co., Ltd.**,  
Miao-Li (TW)

(\*\*) Term: **14 Years**

(21) Appl. No.: **29/357,825**

(22) Filed: **Mar. 18, 2010**

(51) **LOC (9) Cl.** ..... **13-03**

(52) **U.S. Cl.** ..... **D13/180**

(58) **Field of Classification Search** ..... D13/180;  
D26/2; 257/79, 80, 81, 88, 89, 95, 98, 99,  
257/100, E33.058; 313/483, 498, 500; 362/555,  
362/800

See application file for complete search history.

(56) **References Cited**

**U.S. PATENT DOCUMENTS**

4,214,251	A *	7/1980	Schairer	.....	257/99
5,652,434	A	7/1997	Nakamura et al.		
6,097,040	A	8/2000	Moromoto et al.		
6,153,894	A	11/2000	Udagawa		
6,204,512	B1	3/2001	Nakamura et al.		
6,281,526	B1	8/2001	Nitta et al.		
6,287,947	B1	9/2001	Ludowise et al.		
6,344,665	B1	2/2002	Sung et al.		
6,495,862	B1	12/2002	Okazaki et al.		
6,650,018	B1 *	11/2003	Zhao et al.	.....	257/775
6,844,571	B2	1/2005	Krames et al.		
6,847,052	B2	1/2005	Fan et al.		

D521,952	S	5/2006	Yamada et al.		
D580,888	S	11/2008	Liu		
D599,748	S	9/2009	Liu		
D604,256	S	11/2009	Liu		
D606,949	S *	12/2009	Liu	.....	D13/180
D618,637	S *	6/2010	Liu et al.	.....	D13/180
2005/0052878	A1 *	3/2005	Yamada et al.	.....	362/460
2005/0224823	A1 *	10/2005	Zhao et al.	.....	257/91

\* cited by examiner

*Primary Examiner*—Selina Sikder

(57) **CLAIM**

The ornamental design for a light emitting diode device, as shown and described.

**DESCRIPTION**

FIG. 1 is a perspective view of a light emitting diode device showing my new design;

FIG. 2 is a top view thereof;

FIG. 3 is a front view thereof;

FIG. 4 is a back view thereof;

FIG. 5 is a left view thereof;

FIG. 6 is a right view thereof;

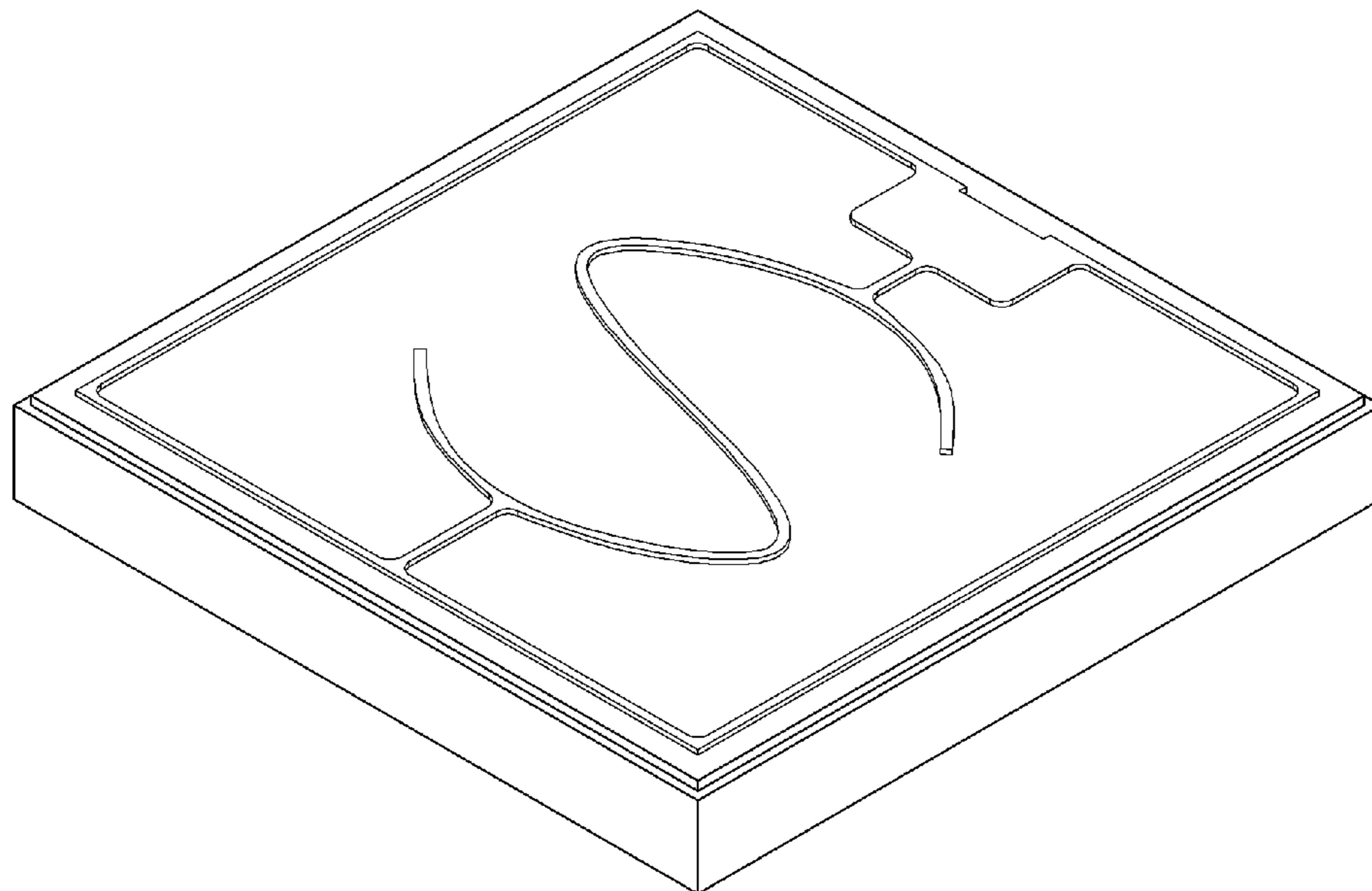
FIG. 7 is a cross-sectional view thereof, take along line 7—7 in FIG. 3.;

FIG. 8 is a cross-sectional view thereof, take along line 8—8 in FIG. 3.;

FIG. 9 is a right side view of thereof; the left side view is a mirror image of the right side view; and,

FIG. 10 is a front view of thereof; the backside view is a mirror image of the front side view.

**1 Claim, 5 Drawing Sheets**



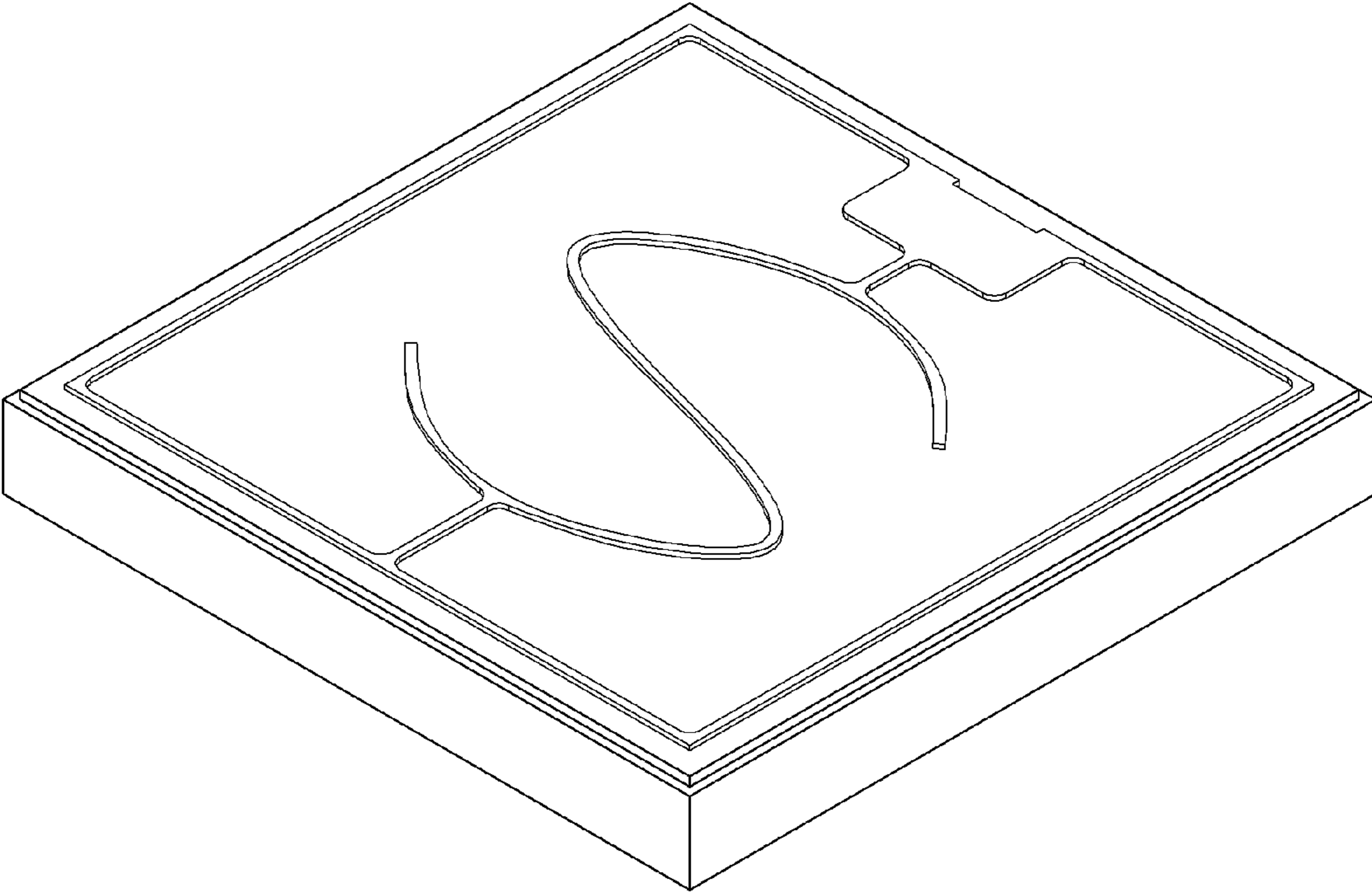


Fig. 1

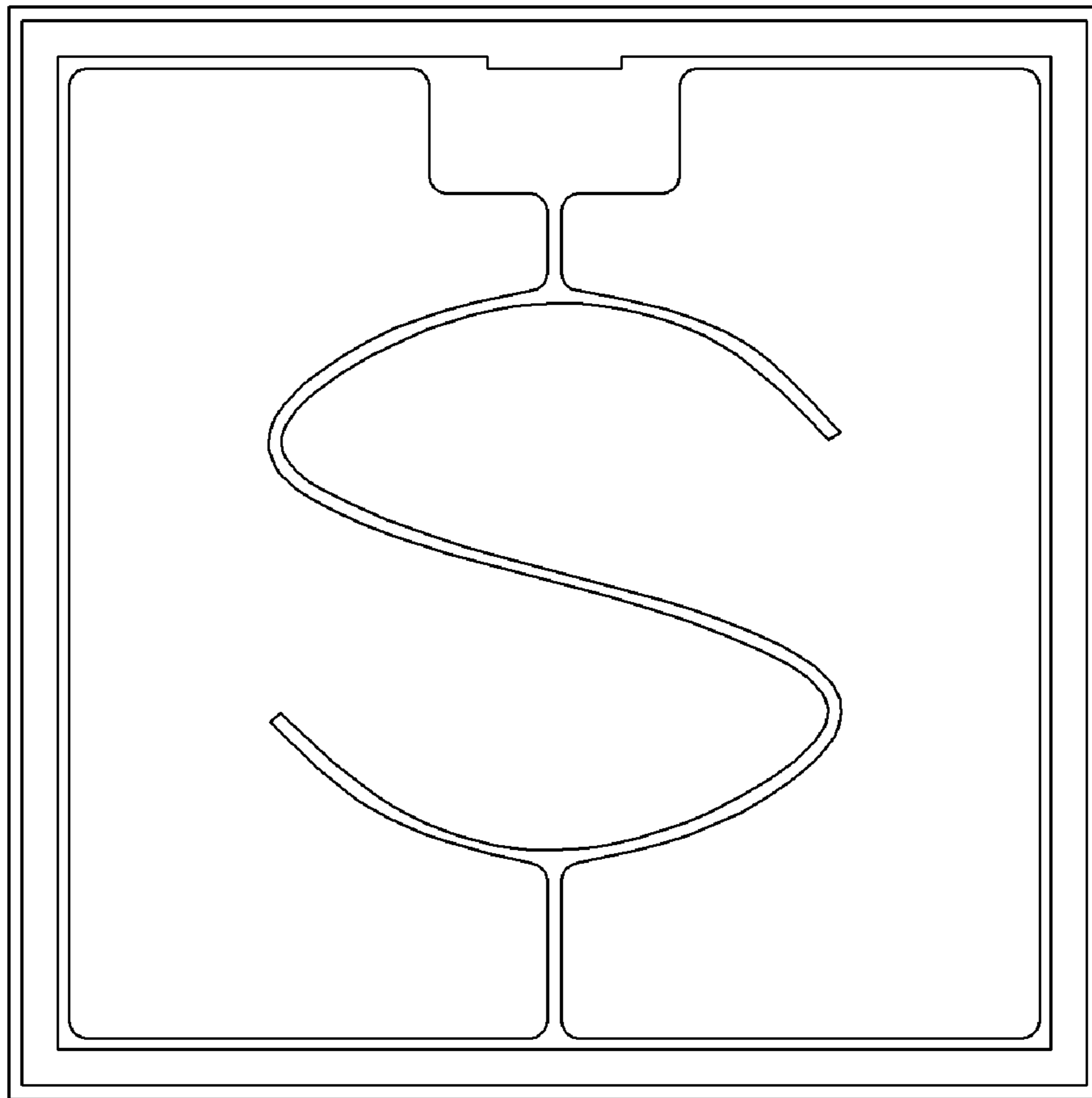


Fig. 2

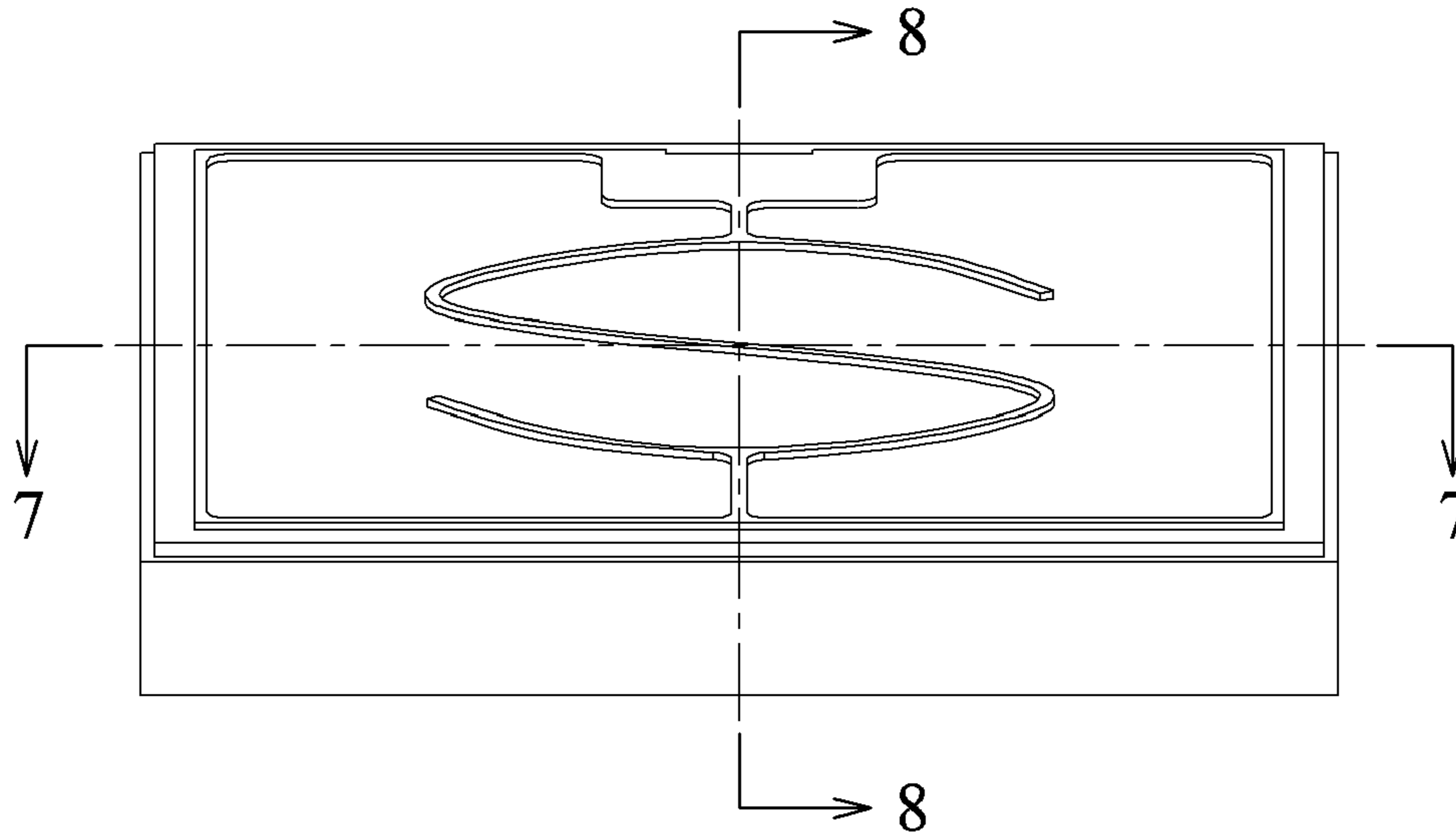


Fig. 3

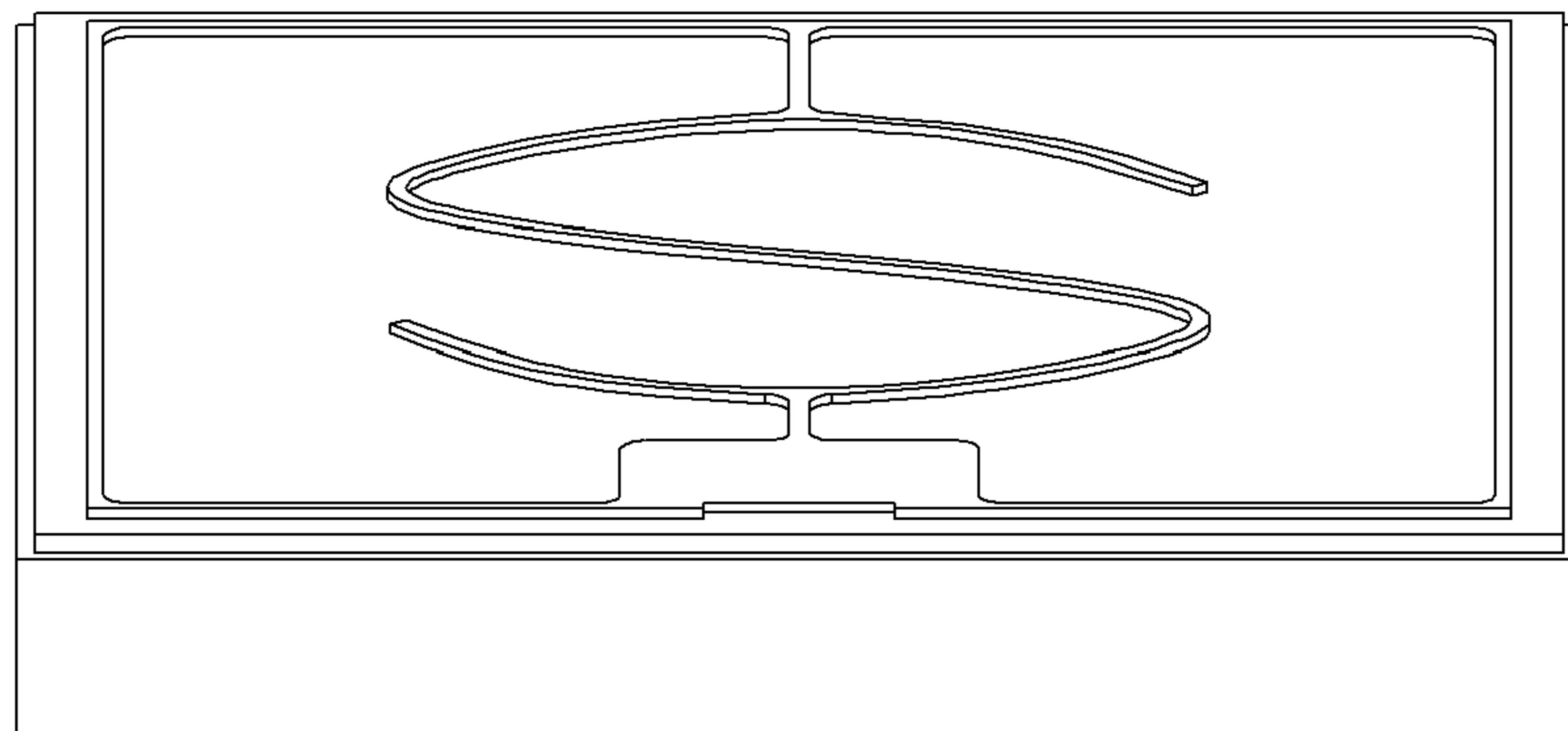


Fig. 4

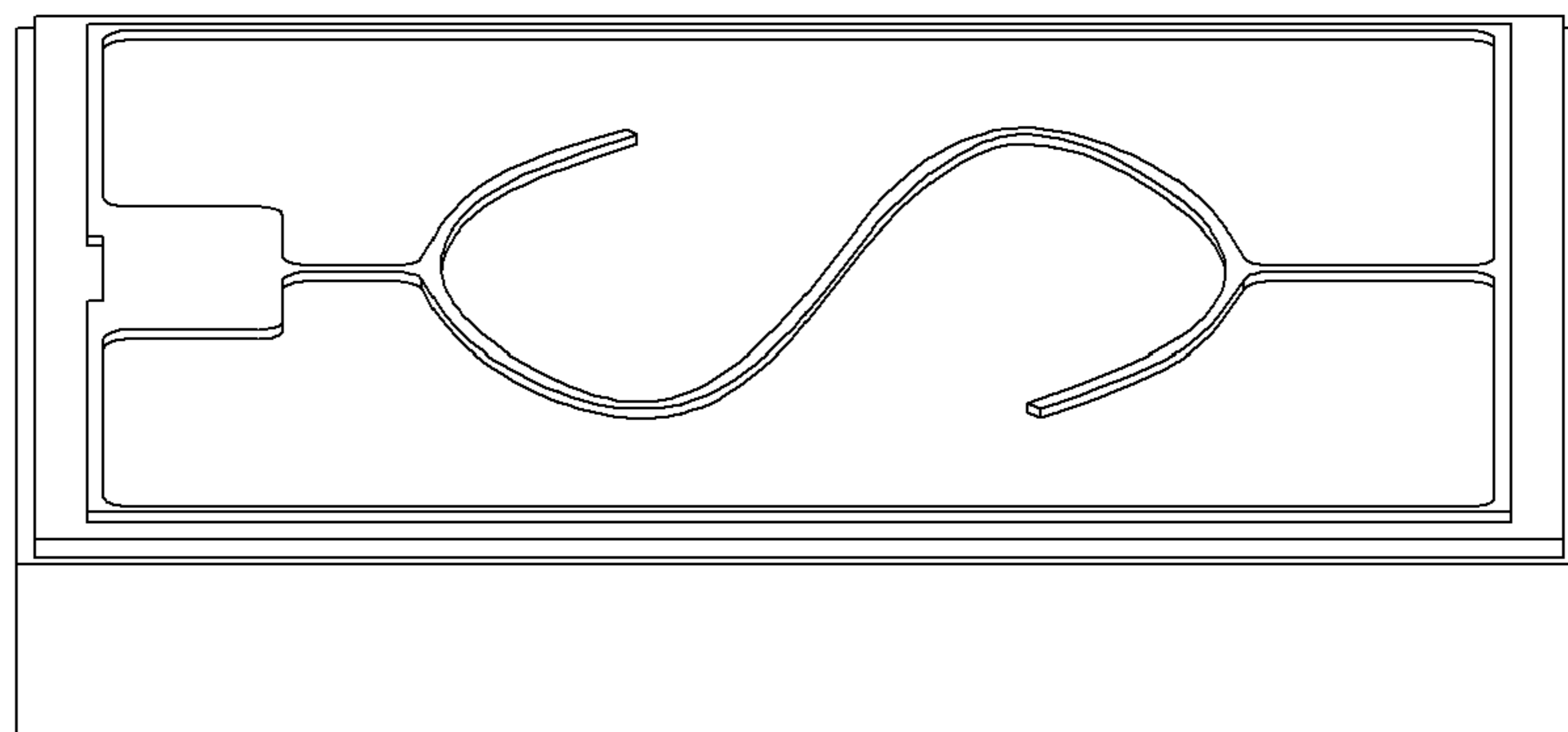


Fig. 5

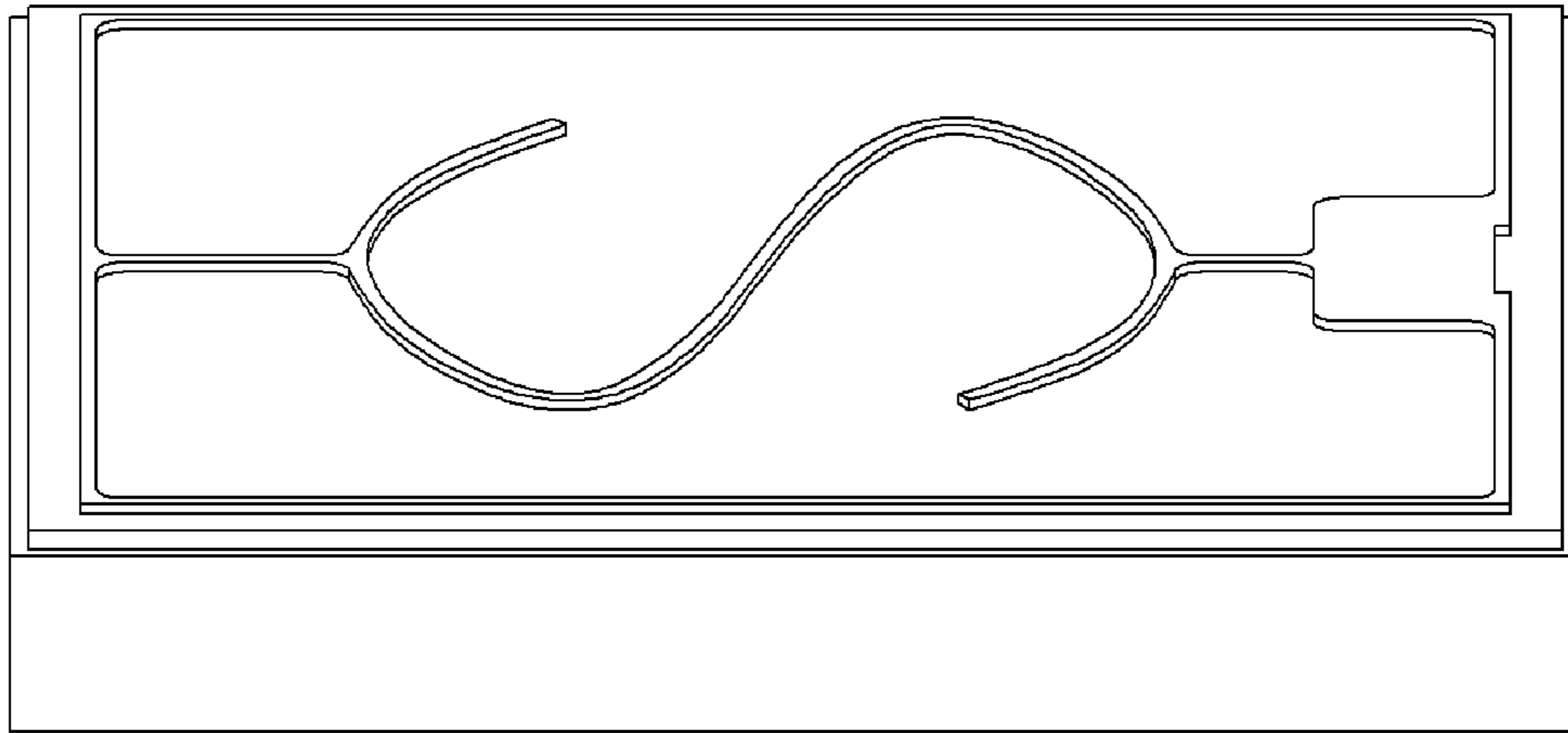


Fig. 6

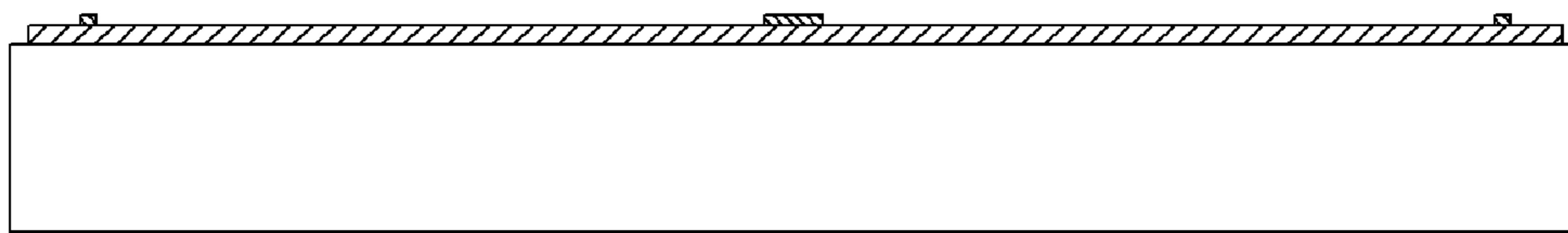


Fig. 7

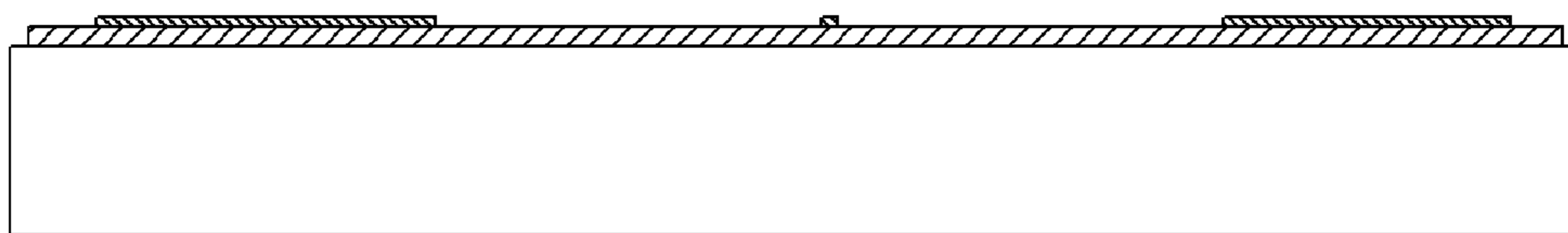


Fig. 8

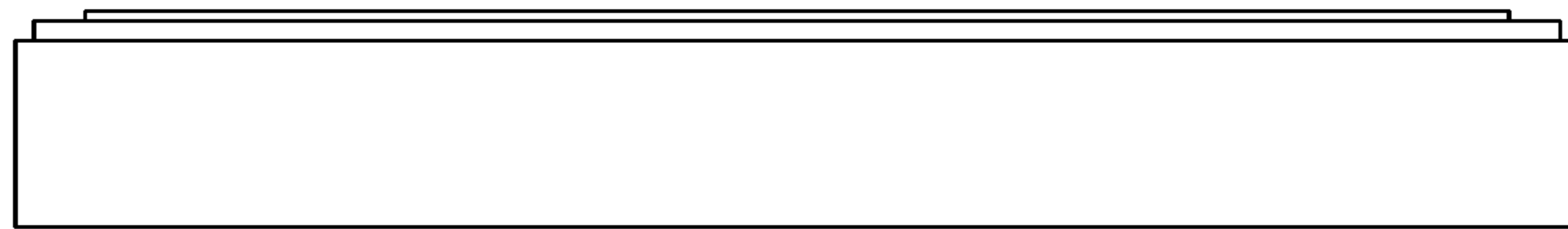


Fig. 9



Fig. 10