



US00D627746S

(12) **United States Design Patent**
Yan et al.

(10) **Patent No.:** **US D627,746 S**

(45) **Date of Patent:** **** *Nov. 23, 2010**

(54) **HEAT DISSIPATION APPARATUS**

(75) Inventors: **Rong-Yih Yan**, Miao-Li Hsien (TW);
Hong-Bin Yang, Miao-Li Hsien (TW)

(73) Assignee: **Foxsemicon Integrated Technology, Inc.**, Chu-Nan, Miao-Li Hsien (TW)

(*) Notice: This patent is subject to a terminal disclaimer.

(**) Term: **14 Years**

(21) Appl. No.: **29/353,066**

(22) Filed: **Dec. 31, 2009**

(30) **Foreign Application Priority Data**

Dec. 25, 2009 (CN) 2009 3 0330988

(51) **LOC (9) Cl.** **13-03**

(52) **U.S. Cl.** **D13/179**

(58) **Field of Classification Search** D13/179;
165/80.3, 104.33, 151, 122, 185; 257/706,
257/707, 718-722; 361/687, 695, 697, 700,
361/702, 703, 704, 709, 710, 711, 719
See application file for complete search history.

(56) **References Cited**

U.S. PATENT DOCUMENTS

4,899,210 A * 2/1990 Lorenzetti et al. 257/712

6,025,643 A *	2/2000	Auger	257/706
D471,168 S *	3/2003	Ge et al.	D13/184
6,736,204 B2 *	5/2004	Gollan et al.	165/185
6,975,511 B1 *	12/2005	Lebo et al.	361/703
7,371,965 B2 *	5/2008	Ice	174/50
7,529,094 B2 *	5/2009	Miller	361/715
7,539,018 B2 *	5/2009	Murr et al.	361/704
7,593,230 B2 *	9/2009	Abul-Haj et al.	361/710
2008/0066888 A1 *	3/2008	Tong et al.	165/80.3

* cited by examiner

Primary Examiner—Selina Sikder

(74) *Attorney, Agent, or Firm*—Raymond J. Chew

(57) **CLAIM**

The ornamental design for a heat dissipation apparatus, as shown and described.

DESCRIPTION

FIG. 1 is a perspective view of a heat dissipation apparatus.

FIG. 2 is a front elevational view thereof.

FIG. 3 is a rear elevational view thereof.

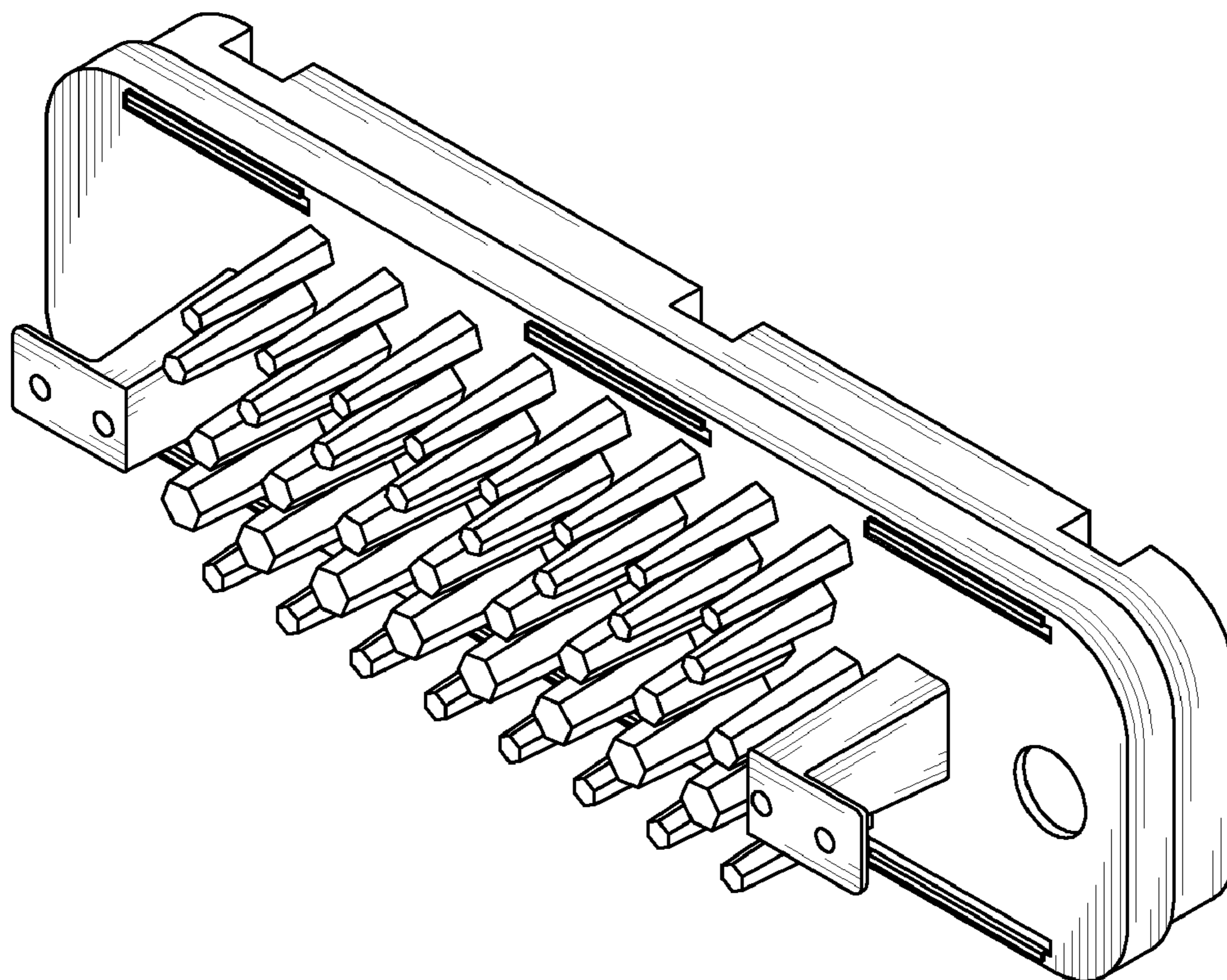
FIG. 4 is a left-side, elevational view thereof.

FIG. 5 is a right-side, elevational view thereof.

FIG. 6 is a top plan view thereof; and,

FIG. 7 is a bottom plan view thereof.

1 Claim, 7 Drawing Sheets



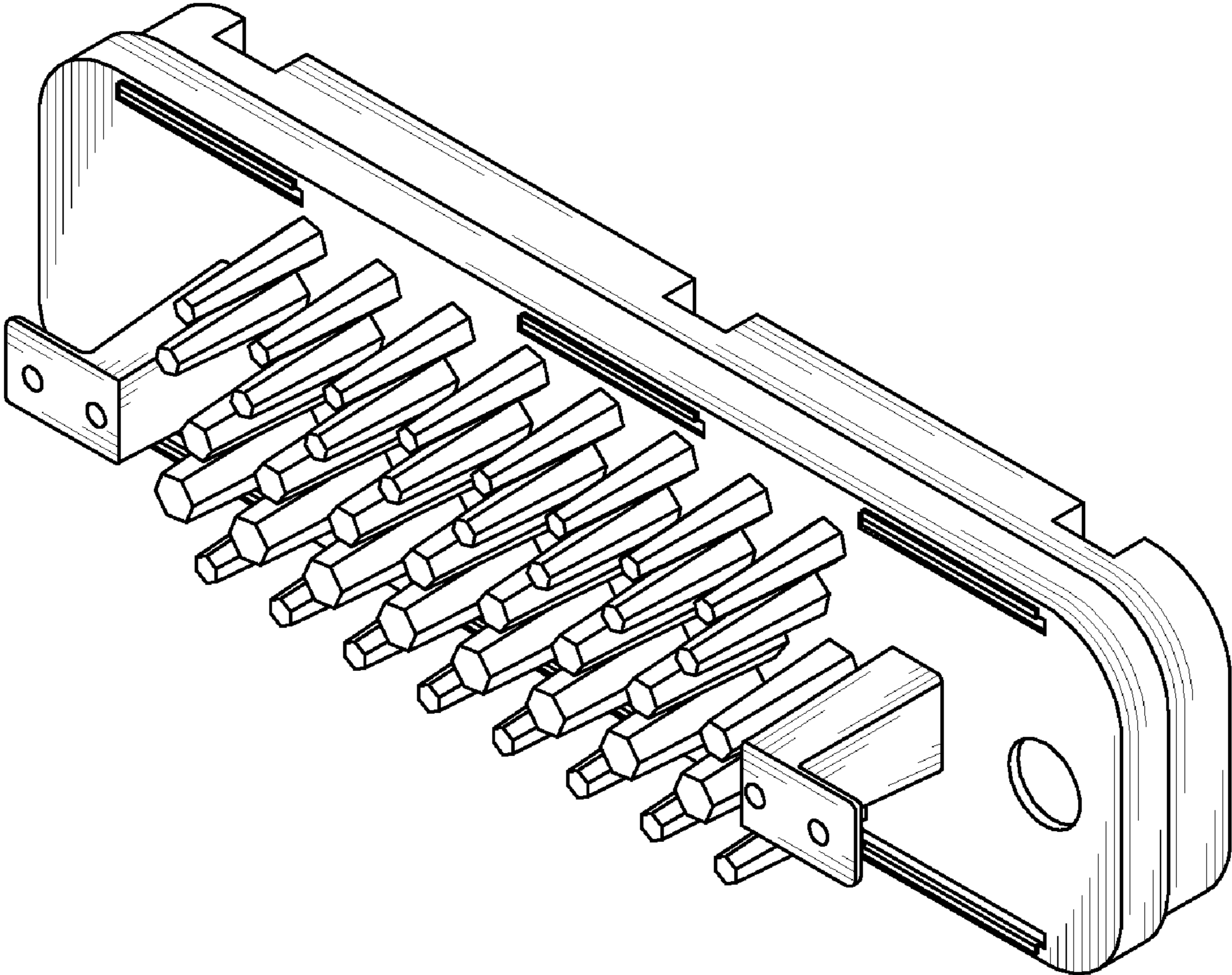


FIG. 1

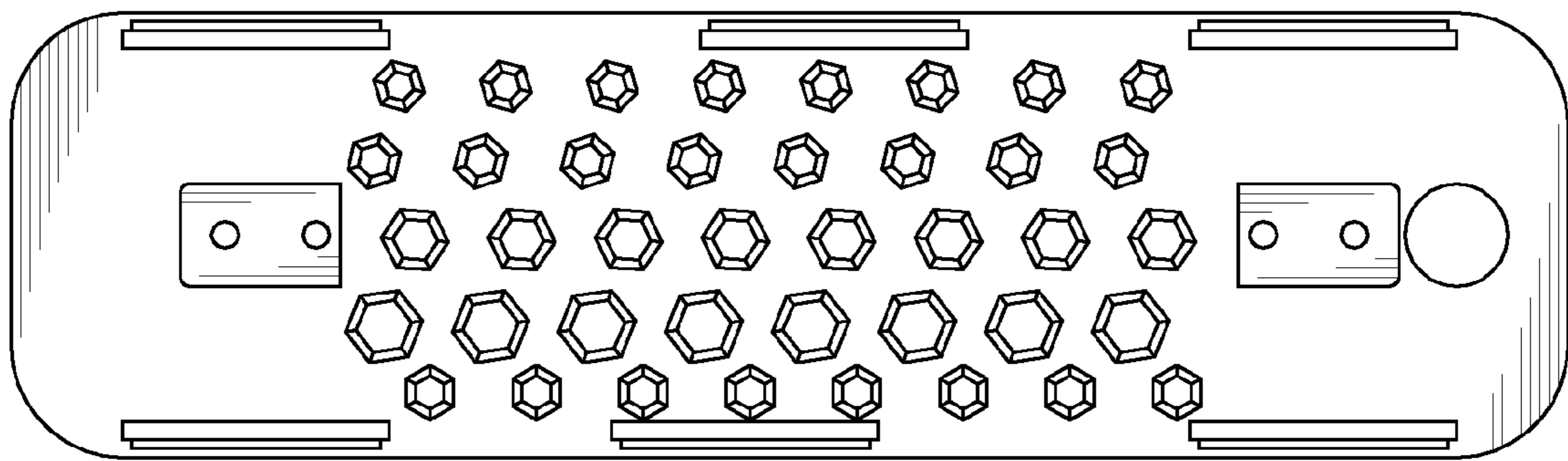


FIG. 2

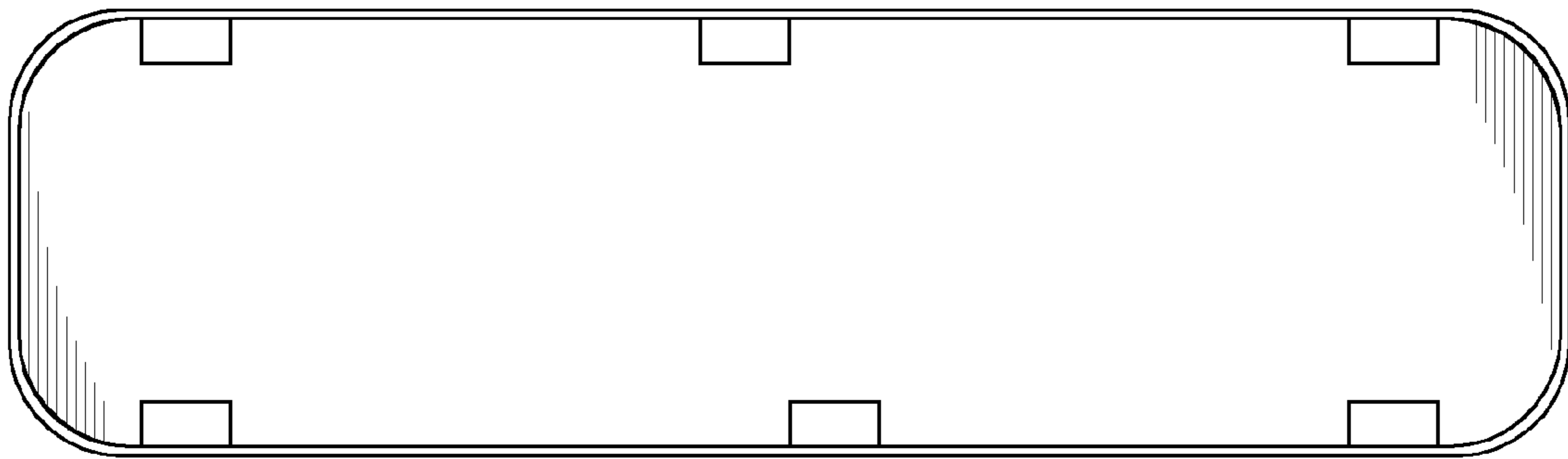


FIG. 3

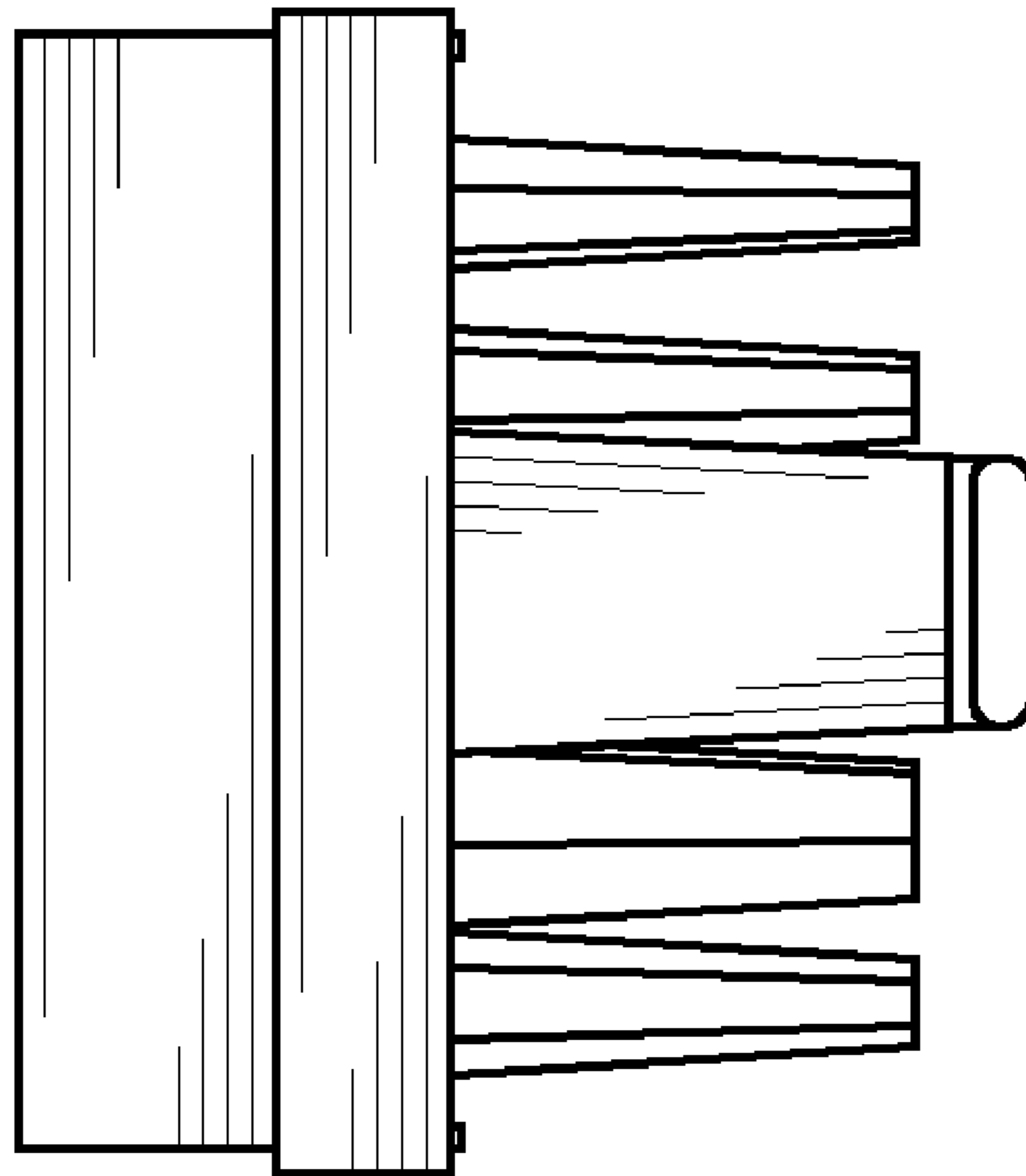


FIG. 4

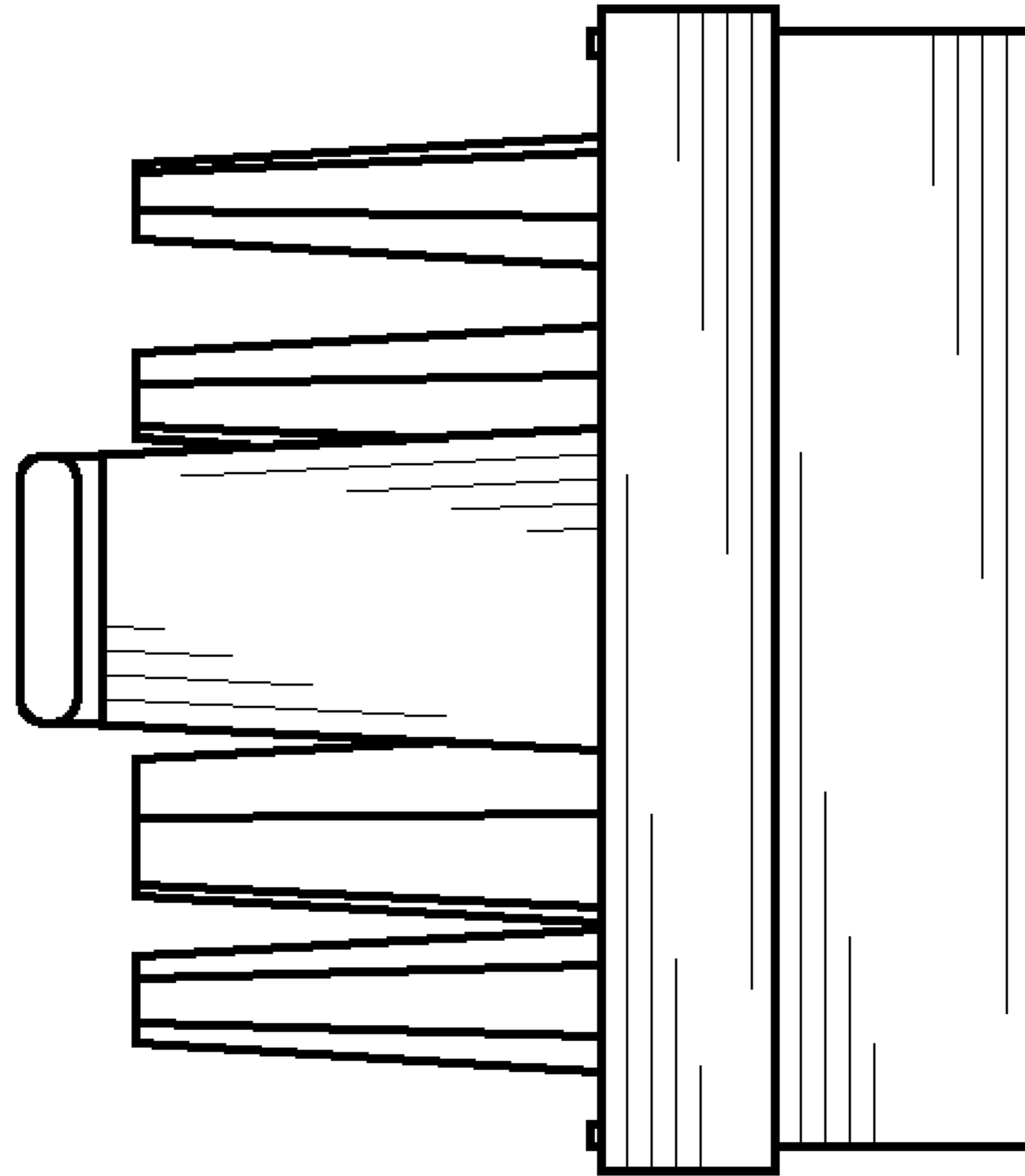


FIG. 5

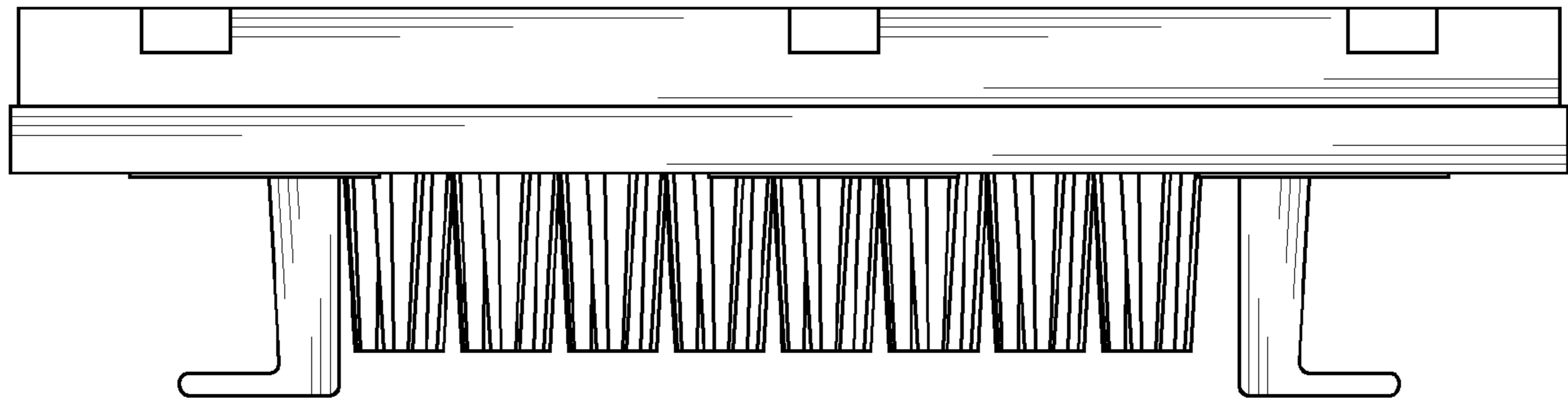


FIG. 6

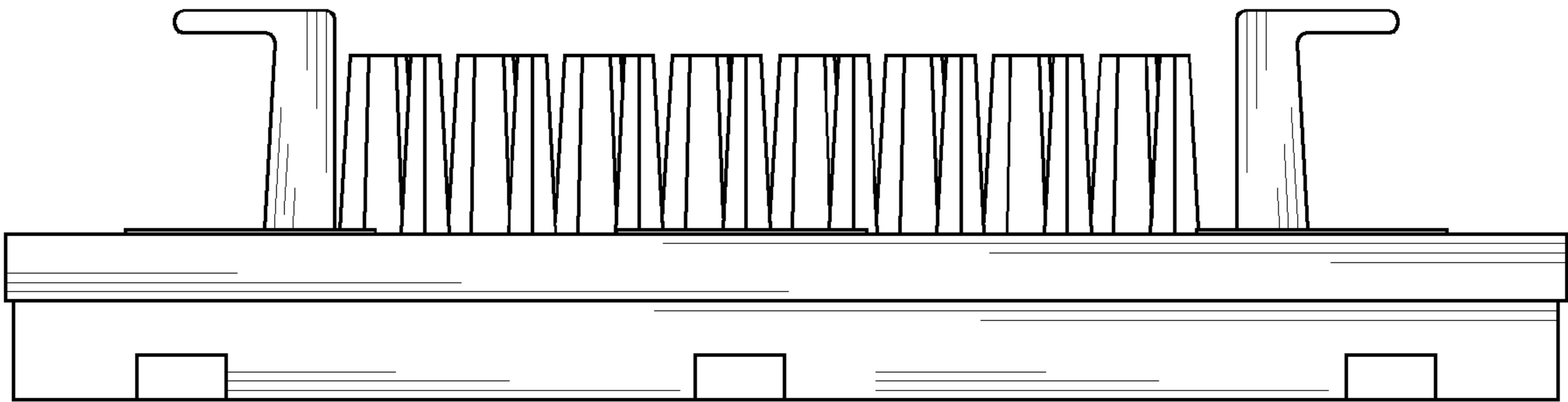


FIG. 7